



US00D685225S

(12) **United States Design Patent**  
**Santoyo et al.**

(10) **Patent No.:** **US D685,225 S**  
(45) **Date of Patent:** **\*\* Jul. 2, 2013**

(54) **DELTA GAS BURNER**

(71) Applicant: **Mabe, S.A. de C.V.**, Queretaro (MX)

(72) Inventors: **Jose Arturo Lona Santoyo**, Queretaro (MX); **Ernesto Arias Del Campo**, Santiago de Queretaro (MX); **Roberto Cabrera Botello**, Santiago de Queretaro (MX)

(73) Assignee: **Mabe, S.A. de C.V.**, Queretaro (MX)

(\*\*) Term: **14 Years**

(21) Appl. No.: **29/440,771**

(22) Filed: **Dec. 27, 2012**

**Related U.S. Application Data**

(62) Division of application No. 29/418,736, filed on Apr. 20, 2012, now Pat. No. Des. 678,722.

(30) **Foreign Application Priority Data**

Oct. 20, 2011 (MX) ..... MX/F/2011/003415

(51) **LOC (9) Cl.** ..... **07-02**

(52) **U.S. Cl.**  
USPC ..... **D7/407**

(58) **Field of Classification Search**

USPC ..... D7/332, 334-337, 402-405, 407, D7/392.1; 126/25 R, 39 C, 41 R, 25 A, 29-30, 126/25 AA, 9 R, 37-38, 40, 39 E, 39 H; 99/481-482; D26/118; D23/335, 386, 342, D23/415; 392/357; 431/264

See application file for complete search history.

(56) **References Cited**

**U.S. PATENT DOCUMENTS**

D42,339 S 3/1912 Sherman  
D48,913 S 4/1916 Parisen

D102,760 S 1/1937 Maul  
2,311,994 A 3/1940 Parker  
D125,112 S 2/1941 Reeves  
D191,085 S 8/1961 Kindl  
D228,766 S 10/1973 Stohrer  
D236,418 S 8/1975 Duperow  
D315,081 S \* 3/1991 Archibald ..... D7/407  
5,397,234 A 3/1995 Kwiatek  
D369,517 S 5/1996 Ferlin  
D414,377 S 9/1999 Huang  
D439,801 S 4/2001 Measom  
6,315,552 B1 11/2001 Haynes et al.  
6,439,882 B2 8/2002 Haynes et al.  
D468,963 S 1/2003 Pai

(Continued)

**FOREIGN PATENT DOCUMENTS**

JP 11264516 9/1999

*Primary Examiner* — T. Chase Nelson

*Assistant Examiner* — Mark Cavanna

(74) *Attorney, Agent, or Firm* — Enrique J. Mora; Beusse Wolter Sanks Mora & Maire, P.A.

(57) **CLAIM**

We claim the ornamental design for a delta gas burner, as described and illustrated.

**DESCRIPTION**

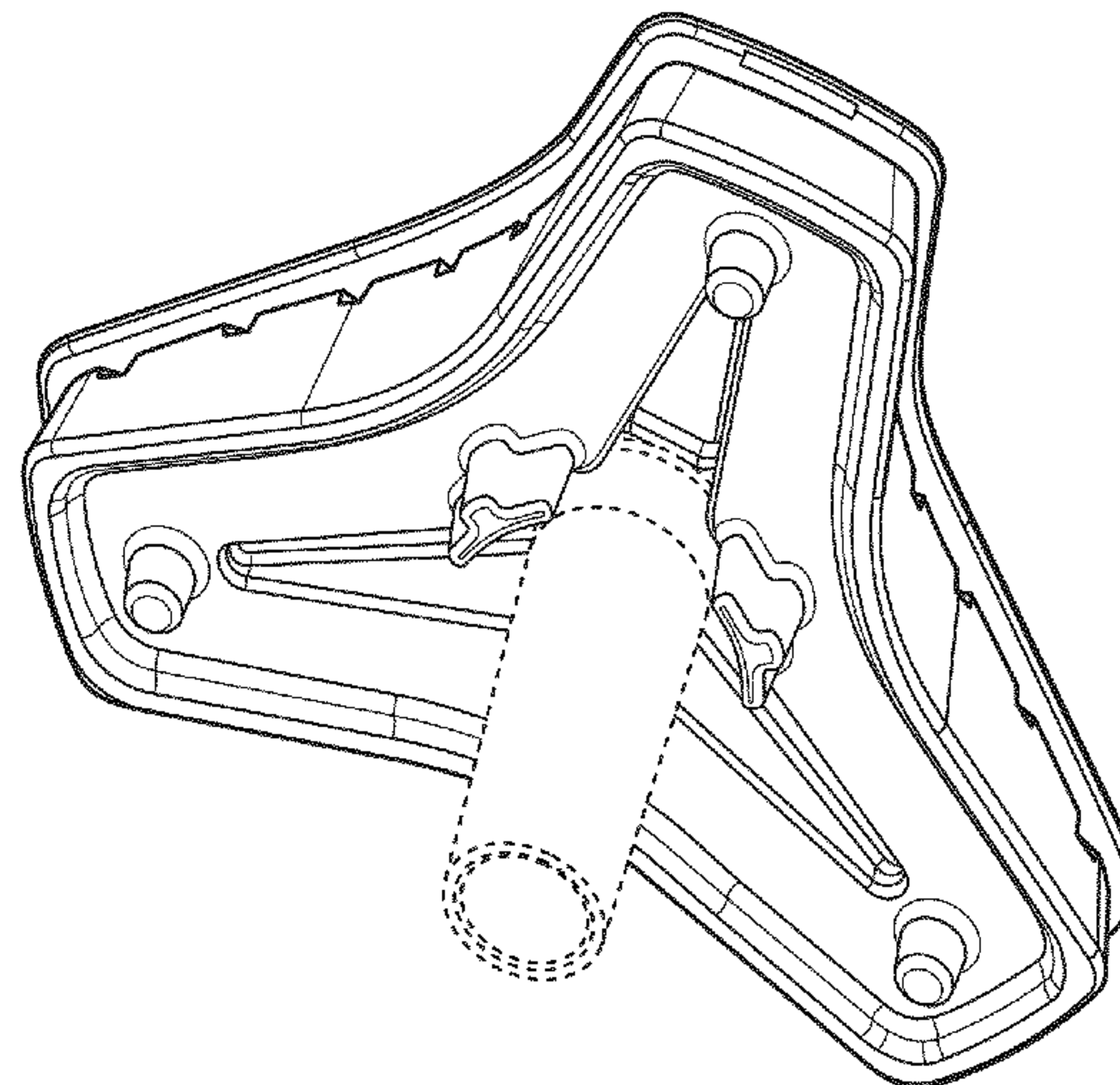
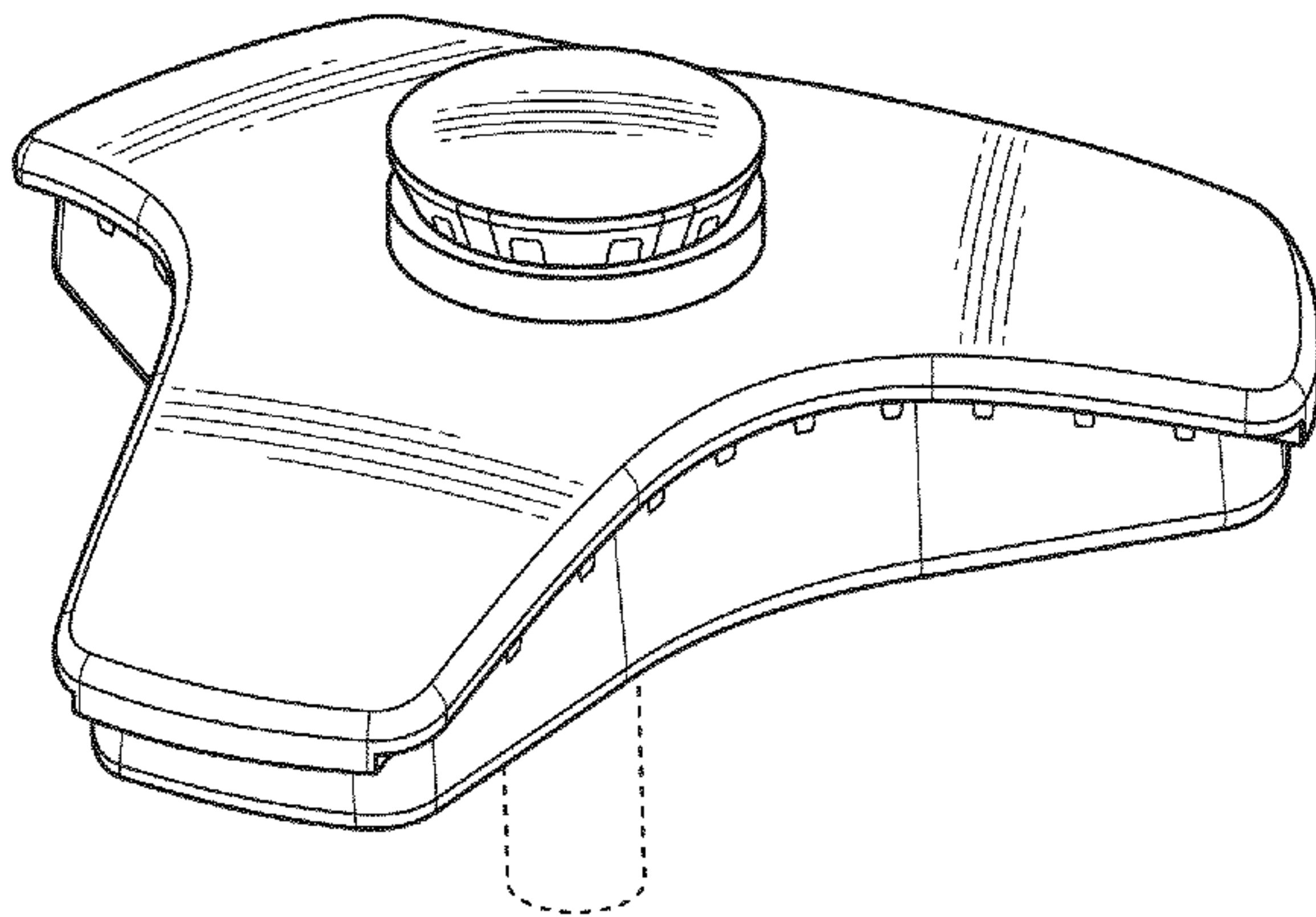
FIG. 1 is a top perspective view of a delta gas burner of this application; and,

FIG. 2 is a bottom perspective view of a delta gas burner of this application.

The surface shading lines seen in FIG. 1 form no part of the claimed design. The broken lines are included for the purpose of illustrating portions of the delta gas burner that form no part of the claimed design.

The design consists of the features of shape, ornament, pattern and configuration of a delta gas burner for use in a stove or cook-top as shown in the drawings.

**1 Claim, 1 Drawing Sheet**



# US D685,225 S

Page 2

---

## U.S. PATENT DOCUMENTS

7,017,572 B2	3/2006	Cadima			
D524,105 S	7/2006	Poltronieri			
D534,767 S *	1/2007	Tseng .....	D7/407		
D544,753 S *	6/2007	Tseng .....	D7/407		
D564,296 S	3/2008	Koch et al.			
				D565,893 S	4/2008 Pryor et al.
				D565,894 S *	4/2008 Pryor et al. .... D7/407
				D565,895 S	4/2008 Pryor et al.
				D581,214 S	11/2008 Rosa et al.
				D581,736 S	12/2008 Besseas

\* cited by examiner

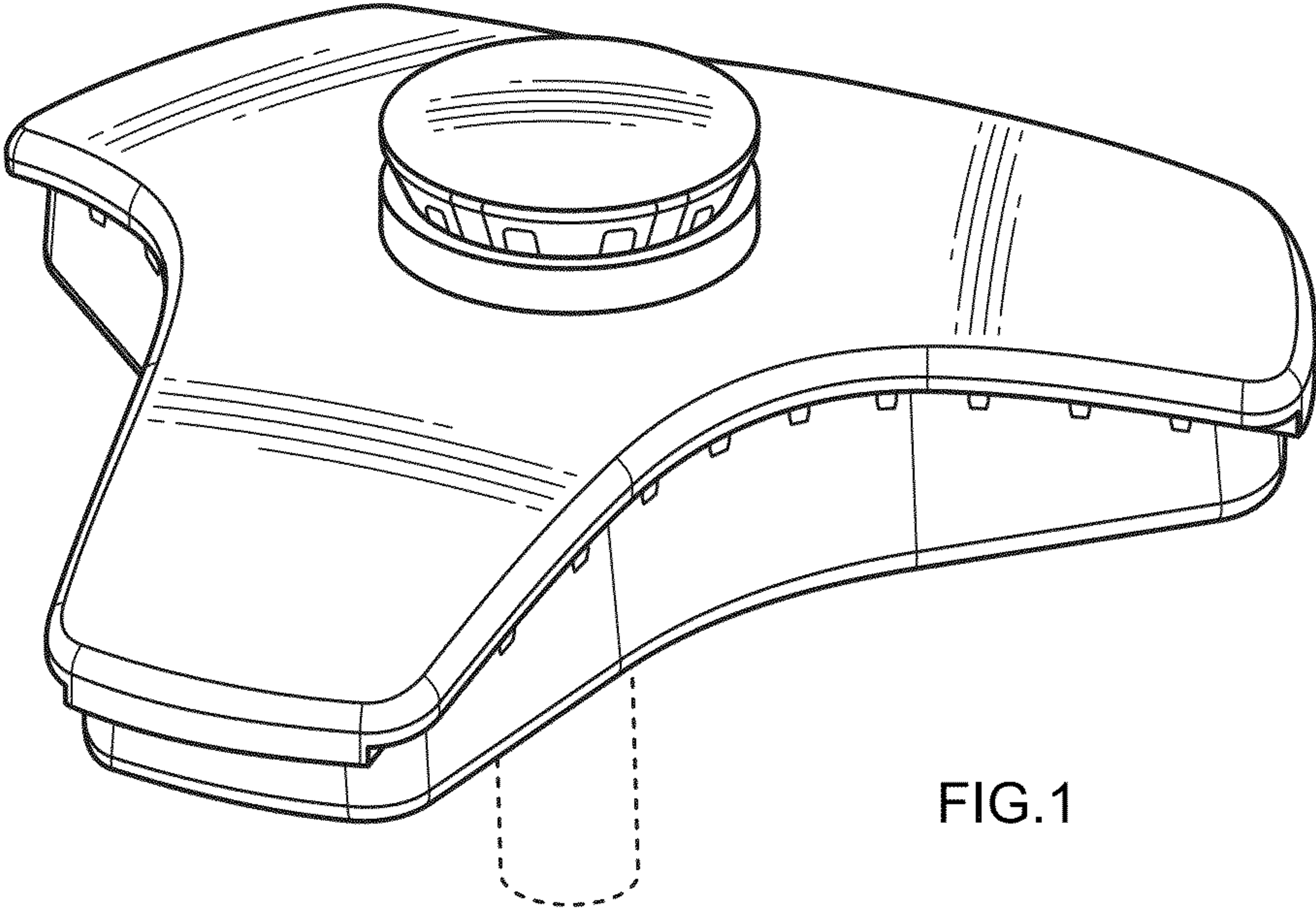


FIG. 1

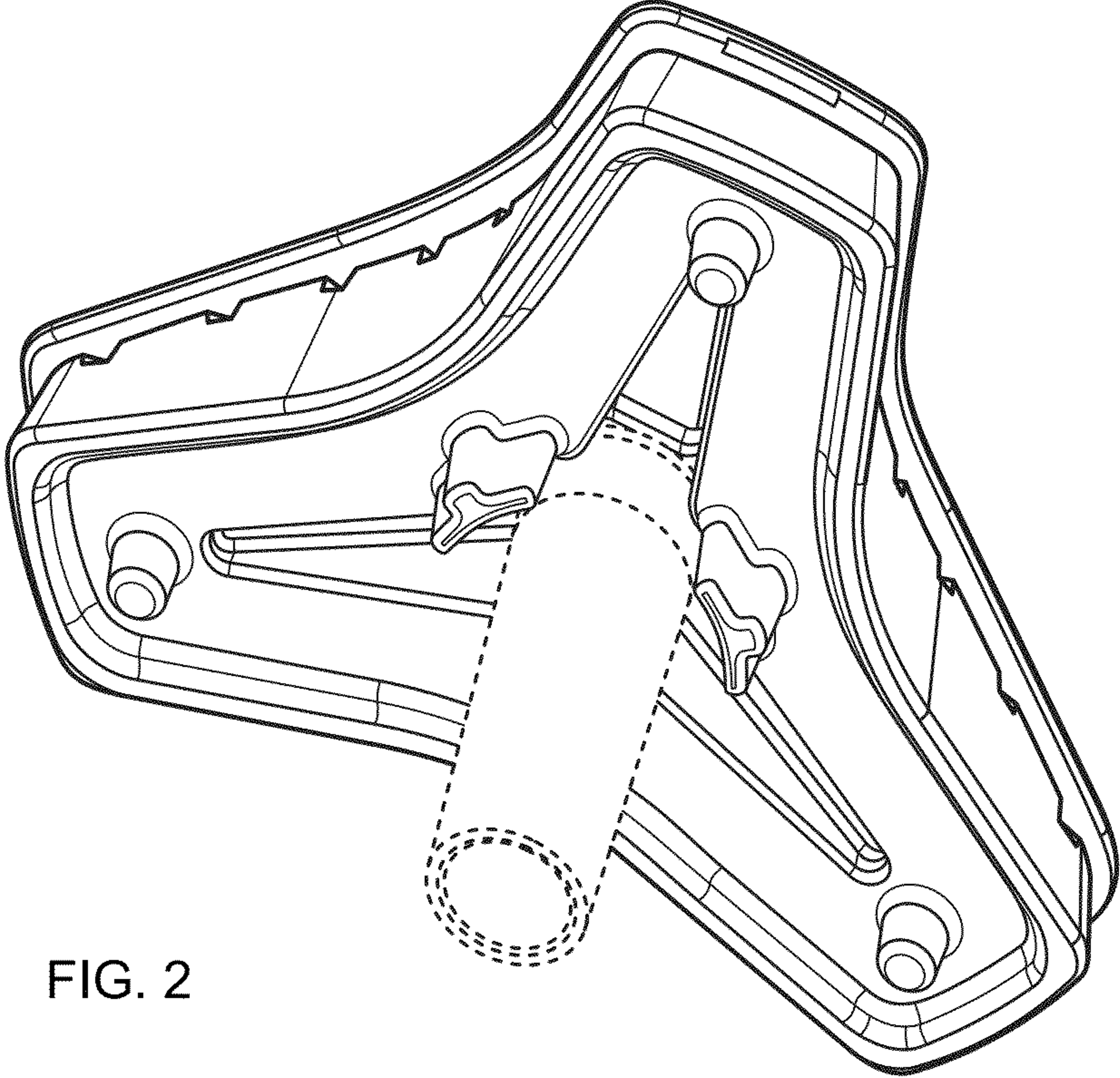


FIG. 2