

US00D685224S

(12) **United States Design Patent**  
**Wu**

(10) **Patent No.:** **US D685,224 S**

(45) **Date of Patent:** **\*\* Jul. 2, 2013**

(54) **MILKSHAKE MACHINE**

(71) Applicant: **Mincai Wu**, GuangZhou (CN)

(72) Inventor: **Mincai Wu**, GuangZhou (CN)

(\*\*) Term: **14 Years**

(21) Appl. No.: **29/439,923**

(22) Filed: **Dec. 17, 2012**

(51) **LOC (9) Cl.** ..... **31-00**

(52) **U.S. Cl.**

USPC ..... **D7/379; D7/376; D7/377; D7/378**

(58) **Field of Classification Search**

USPC ..... D7/301-313, 316-319, 356-357,  
D7/368, 372-386, 391-398, 412-415, 503,  
D7/515, 665, 679, 691-693; D15/82; 99/326,  
99/348, 492-495, 508-512; 165/68; 200/52 R,  
200/550; 241/30-37.5, 91, 101.01-101.2,  
241/166-169.1, 172, 272, 285.1-285.3, 291,  
241/292.1; 261/87; 310/68 B, 90; 366/64-67,  
366/98, 129, 142-144, 192-211, 241-254,  
366/262, 279-292, 325.8, 325.92, 341-347;  
416/75-77, 70 R, 163; 426/565

See application file for complete search history.

(56) **References Cited**

**U.S. PATENT DOCUMENTS**

1,764,337 A \* 6/1930 Nielsen ..... 200/550  
1,973,091 A \* 9/1934 Miller ..... 366/206  
2,134,261 A \* 10/1938 Oswell ..... 366/197  
D118,225 S \* 12/1939 Barnes et al. .... D7/379  
2,184,085 A \* 12/1939 Ruetz ..... 366/206  
2,288,063 A \* 6/1942 Ashlock, Jr. .... 261/87  
2,319,429 A \* 5/1943 Nelson et al. .... 165/68

D156,342 S \* 12/1949 Iannelli ..... D7/379  
2,498,570 A \* 2/1950 Myers ..... 366/206  
D158,947 S \* 6/1950 Ernst ..... D7/379  
D163,376 S \* 5/1951 Ernst ..... D7/379  
2,564,887 A \* 8/1951 Arthur ..... 366/206  
2,585,822 A \* 2/1952 Myers ..... 366/206  
D169,829 S \* 6/1953 Seyfried et al. .... D7/379  
2,654,847 A \* 10/1953 Arthur ..... 310/68 B  
2,696,370 A \* 12/1954 Gafford ..... 366/206  
3,292,912 A \* 12/1966 Stubler ..... 366/197  
3,311,353 A \* 3/1967 Rogenski ..... 366/197  
D365,496 S \* 12/1995 McLinden et al. .... D7/379  
5,730,525 A \* 3/1998 Browne ..... 366/197  
5,912,039 A \* 6/1999 Browne ..... 426/565  
D413,226 S \* 8/1999 Barker ..... D7/379  
D446,682 S \* 8/2001 Au ..... D7/379  
D511,270 S \* 11/2005 Steiner et al. .... D7/379  
D532,252 S \* 11/2006 Fouquet ..... D7/379  
D539,602 S \* 4/2007 Lin ..... D7/379

\* cited by examiner

*Primary Examiner* — Ricky Pham

(74) *Attorney, Agent, or Firm* — Lucas & Mercanti, LLP

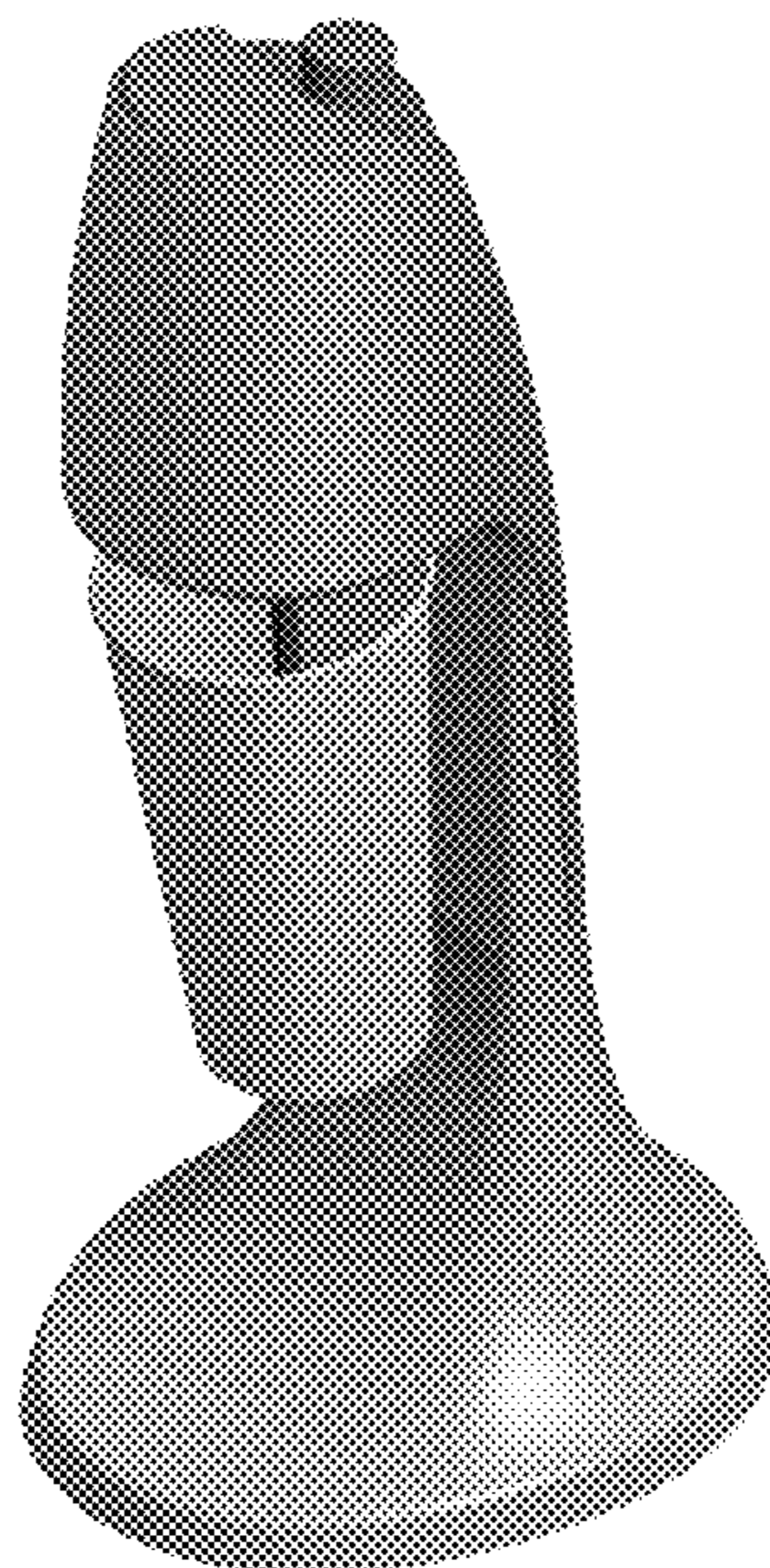
(57) **CLAIM**

The ornamental design for a milkshake machine, as shown and described.

**DESCRIPTION**

FIG. 1 is a right side view of a milkshake machine;  
FIG. 2 is a left side view of the milkshake machine;  
FIG. 3 is a front view of the milkshake machine;  
FIG. 4 is a rear view of the milkshake machine;  
FIG. 5 is a perspective view of the milkshake machine;  
FIG. 6 is a top view of the milkshake machine; and,  
FIG. 7 is a bottom view of the milkshake machine.

**1 Claim, 7 Drawing Sheets**



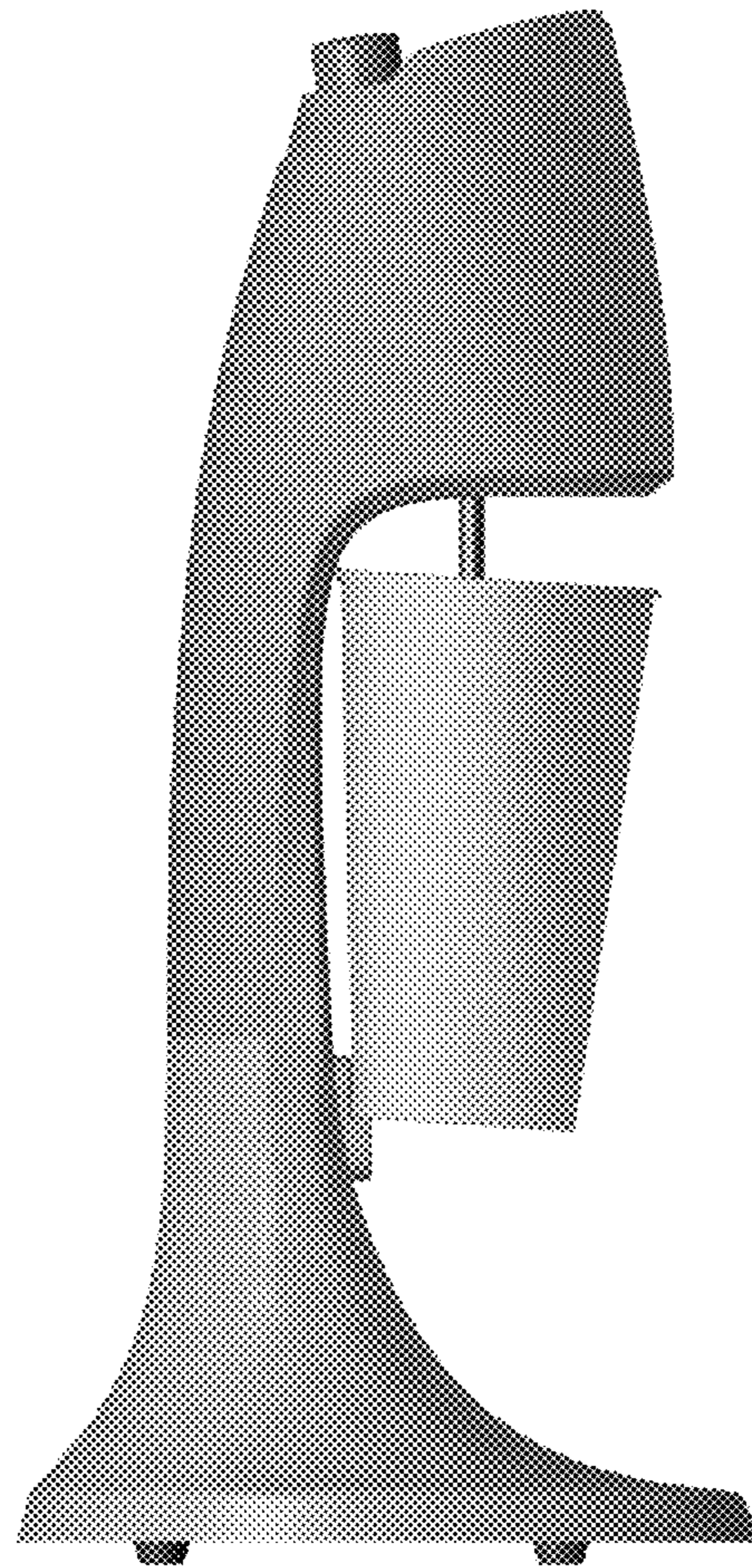


FIG. 1

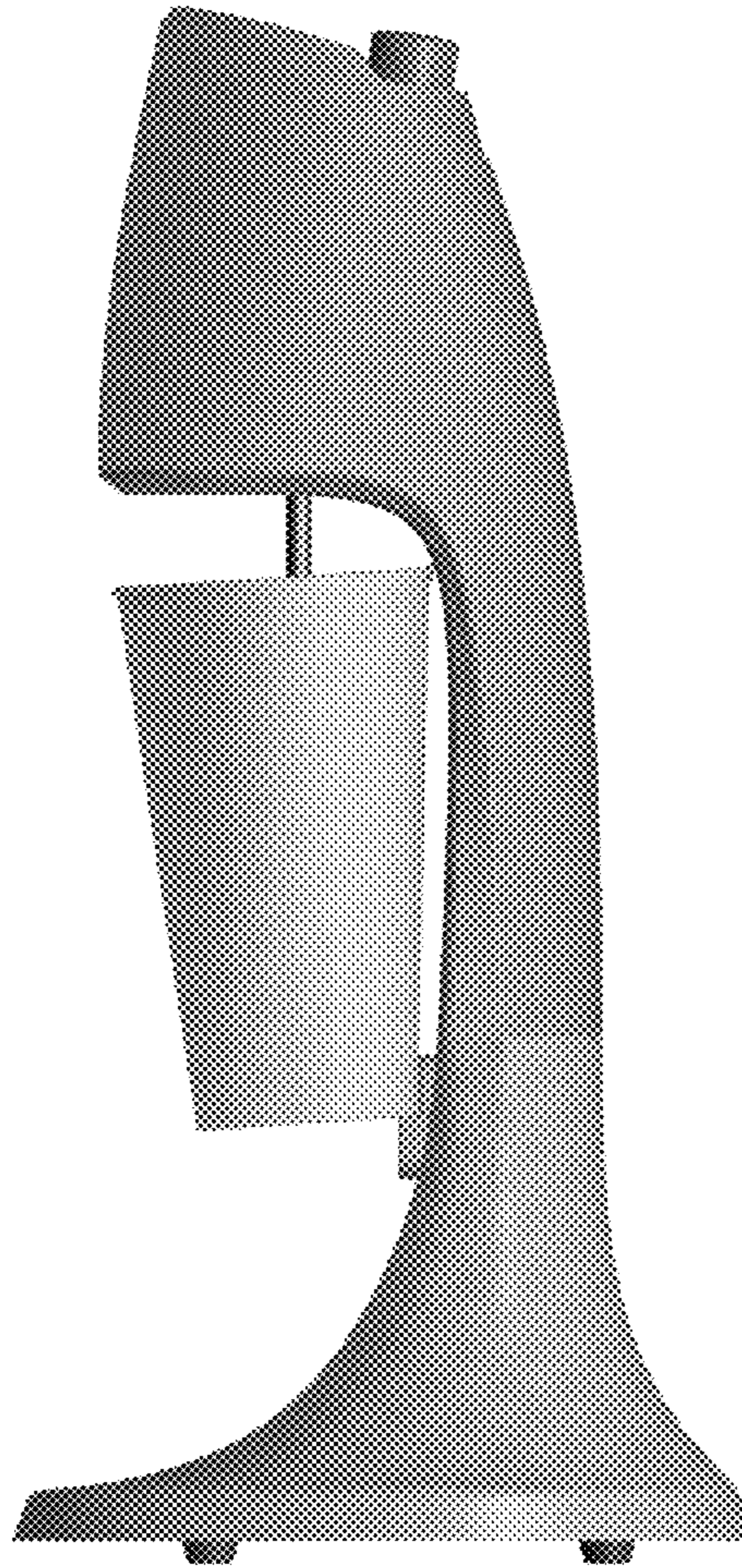


FIG. 2

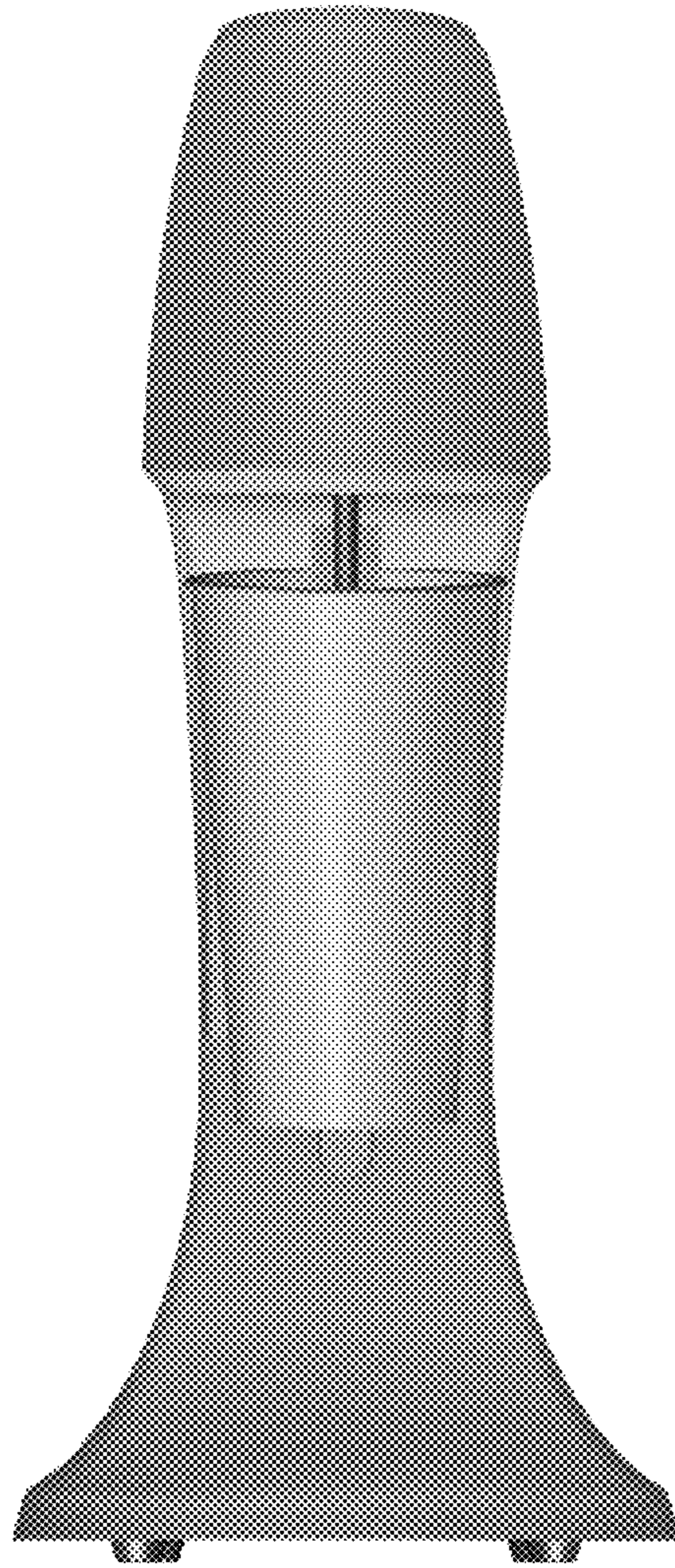


FIG. 3

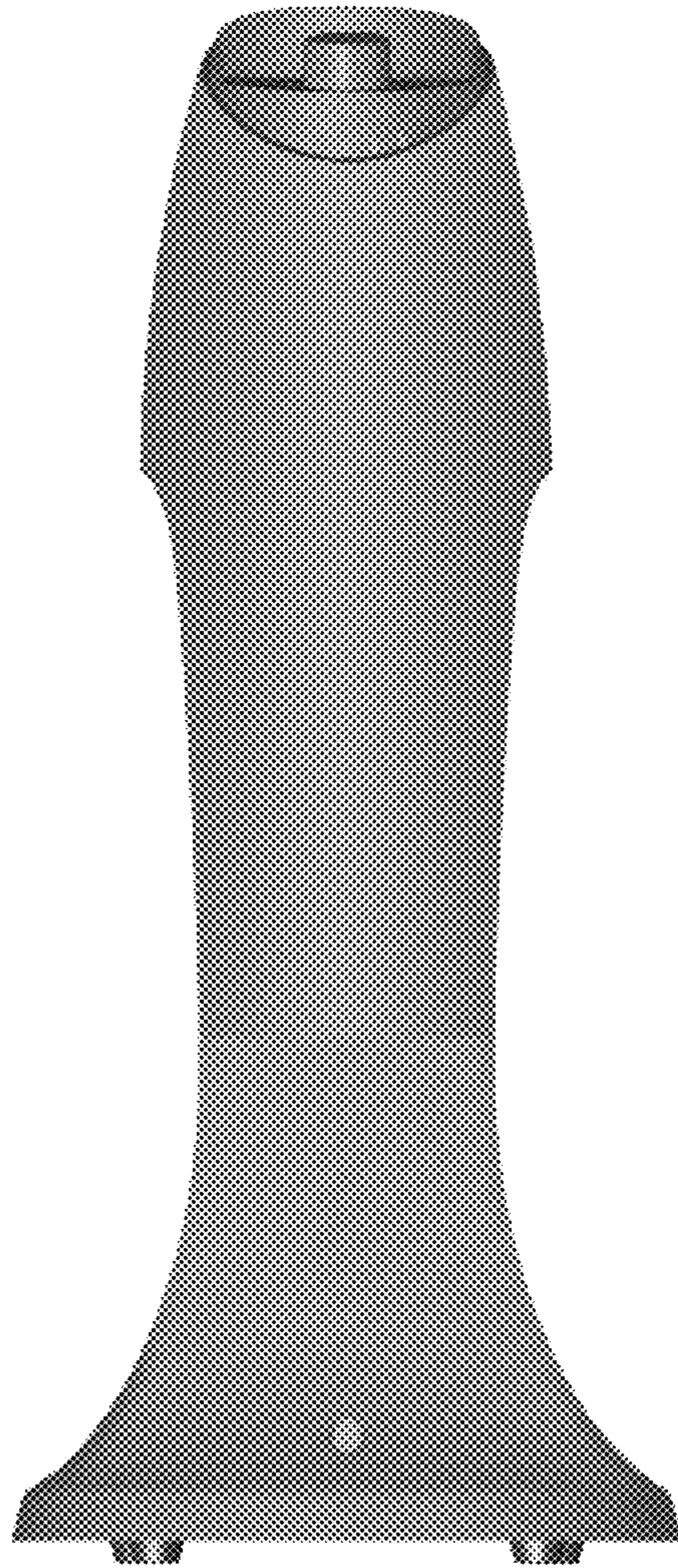


FIG. 4

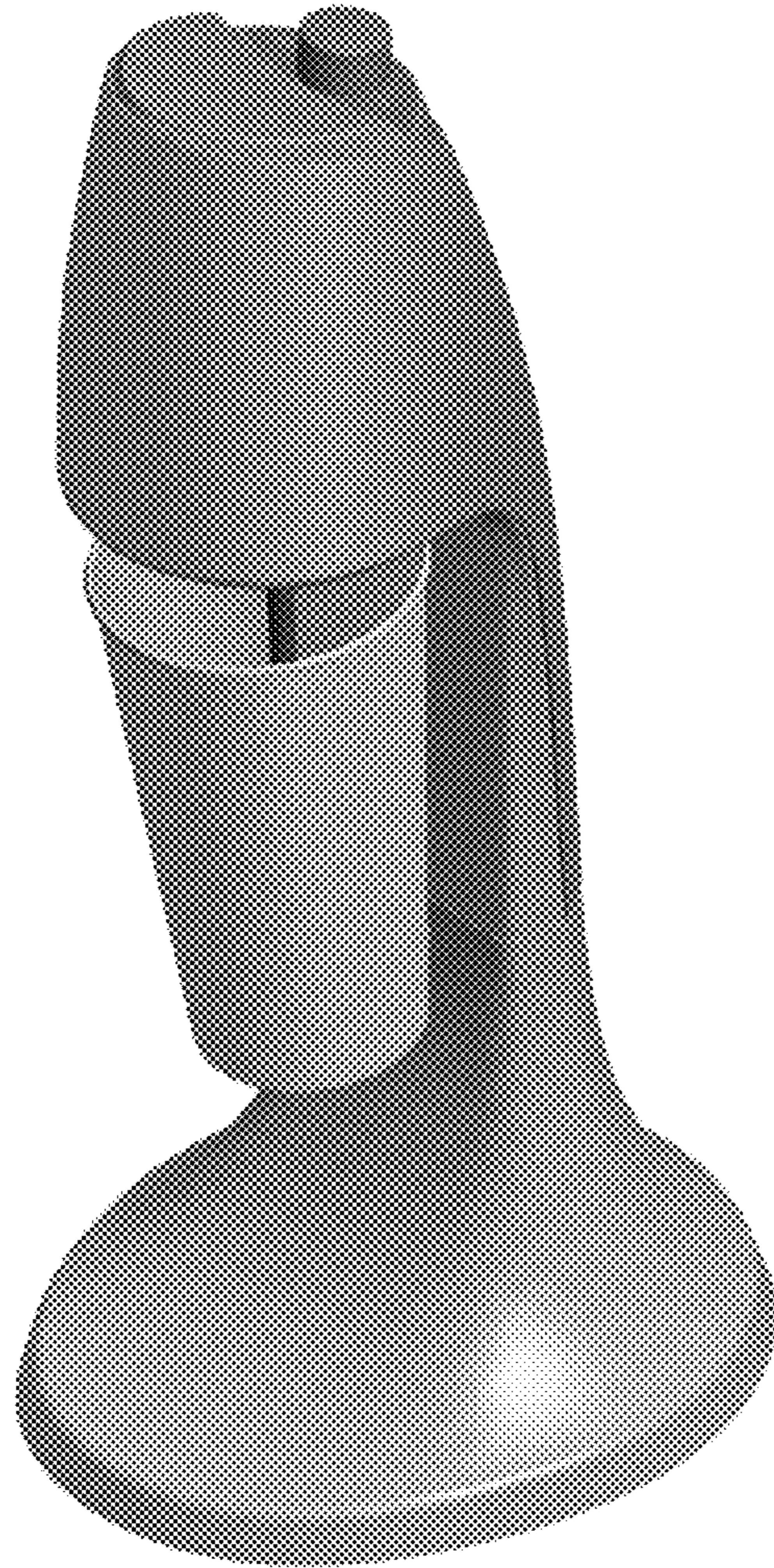


FIG. 5

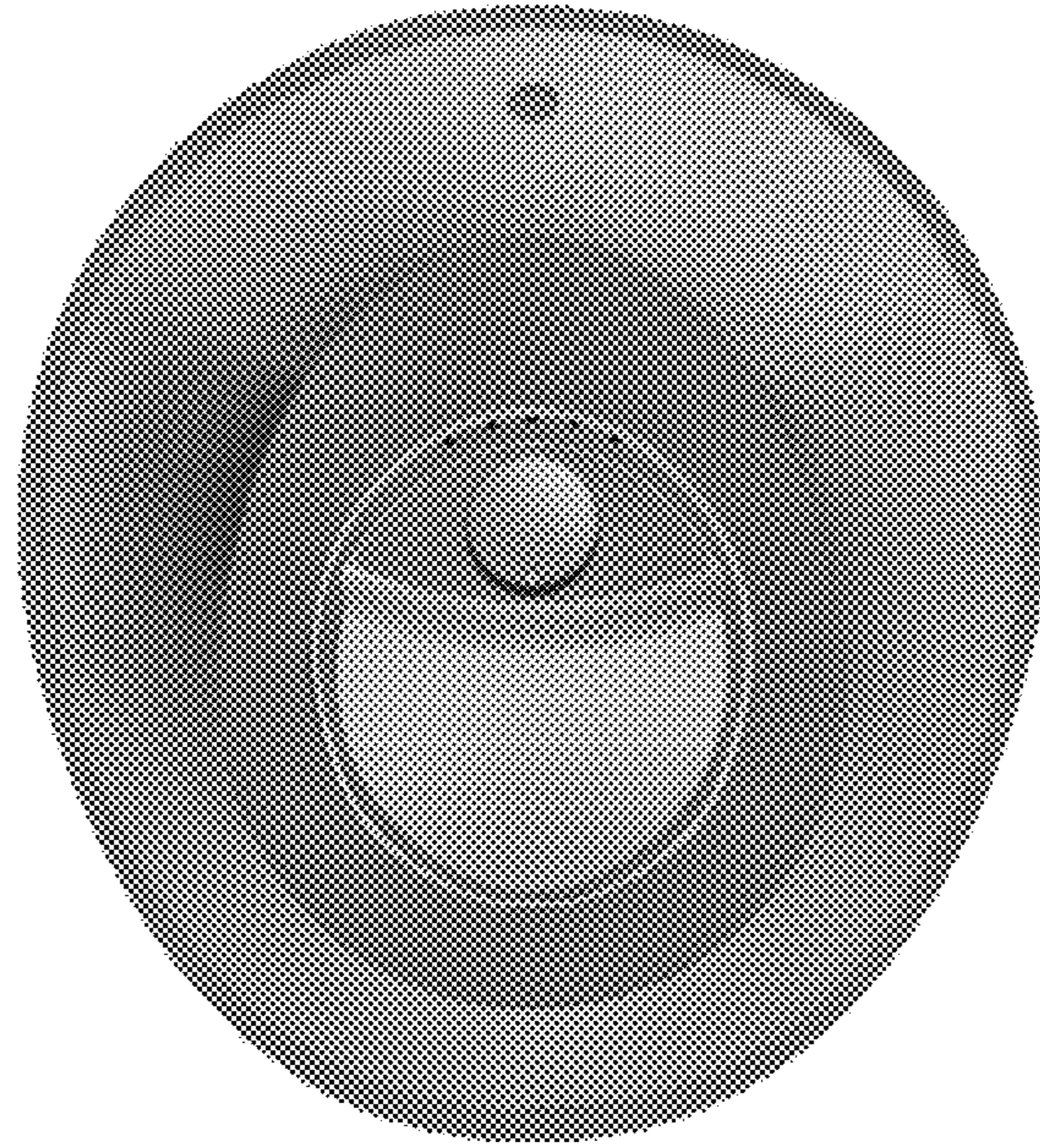


FIG. 6

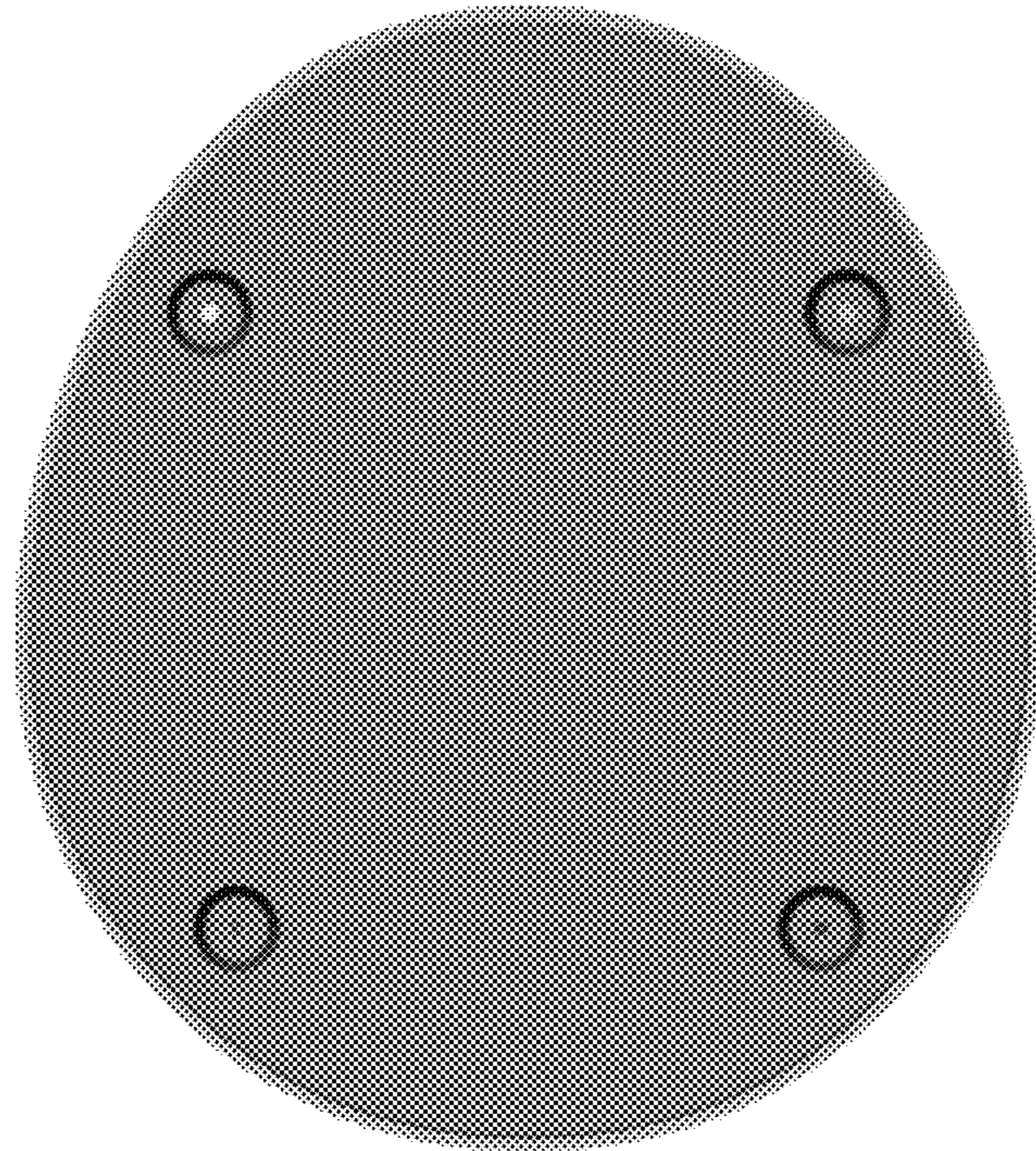


FIG. 7