



US00D685220S

(12) **United States Design Patent**  
**Schilders et al.**

(10) **Patent No.:** **US D685,220 S**  
(45) **Date of Patent:** **\*\* Jul. 2, 2013**

(54) **SOUP SERVER**

(75) Inventors: **Wilhelmus Johannes Antonius Schilders**, Weert (NL); **Frans Wiegersma**, Eindhoven (NL); **Roberto Arnoldus Maria Brok**, Drunen (NL); **Gijsbert Broere**, 's-Hertogenbosch (NL)

(73) Assignee: **Vendinova Group B.V.** (NL)

(\*\*) Term: **14 Years**

(21) Appl. No.: **29/387,040**

(22) Filed: **Mar. 8, 2011**

(51) **LOC (9) Cl.** ..... **07-01**

(52) **U.S. Cl.**  
USPC ..... **D7/323; D7/300**

(58) **Field of Classification Search**  
USPC ..... D7/300, 301, 305, 306, 307, 311, D7/323, 355; 99/279, 280, 324, 325, 326, 99/330, 346; 141/100, 104, 362; 222/129, 222/129.1, 129.2, 146.1, 146.5, 189.11, 240  
See application file for complete search history.

(56) **References Cited**

**U.S. PATENT DOCUMENTS**

3,105,616	A *	10/1963	Krup	.....	222/129.2
4,032,045	A *	6/1977	Epple	.....	222/146.5
4,174,789	A *	11/1979	West	.....	222/240
4,189,071	A *	2/1980	West	.....	222/189.11
4,361,176	A *	11/1982	West	.....	141/362
D297,697	S *	9/1988	Fossella	.....	D7/311

4,938,125	A *	7/1990	Wong	.....	99/326
5,465,649	A *	11/1995	Muis	.....	99/280
5,540,263	A *	7/1996	Hustvedt et al.	.....	141/104
D372,831	S *	8/1996	Credle, Jr.	.....	D7/301
D454,465	S *	3/2002	McKittrick et al.	.....	D7/307
D499,926	S *	12/2004	Cahen	.....	D7/300
6,948,422	B1 *	9/2005	Nagasaki	.....	99/348
D560,424	S *	1/2008	McLemore	.....	D7/355
2007/0175334	A1 *	8/2007	Halliday et al.	.....	99/279

\* cited by examiner

*Primary Examiner* — Caron D Veynar

*Assistant Examiner* — Martie K Holtje

(74) *Attorney, Agent, or Firm* — Miller & Martin PLLC

(57) **CLAIM**

The ornamental design for a soup server, as shown and described.

**DESCRIPTION**

FIG. 1 is a top, right front perspective view of a soup server showing our new design;

FIG. 2 is a fragmentary perspective view taken in the direction of arrow 2 in FIG. 1;

FIG. 3 is a right side elevational view of FIG. 1;

FIG. 4 is a front elevational view of FIG. 1;

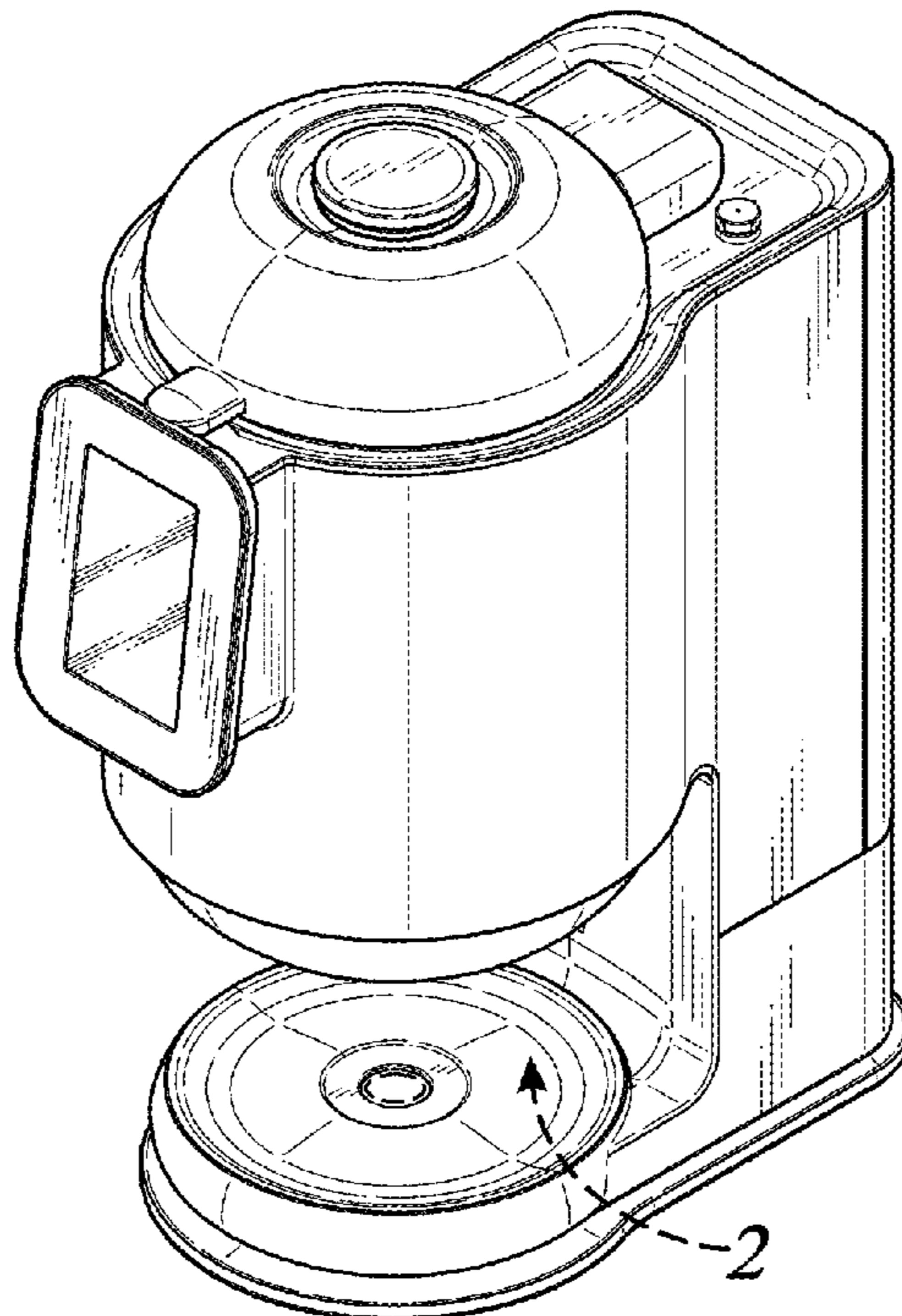
FIG. 5 is a rear elevational view of FIG. 1;

FIG. 6 is a top plan view of FIG. 1; and,

FIG. 7 is a bottom plan view of FIG. 1.

The broken line showing of structural elements is included for the purpose of illustrating portions of the soup server that form no part of the claimed design.

**1 Claim, 3 Drawing Sheets**



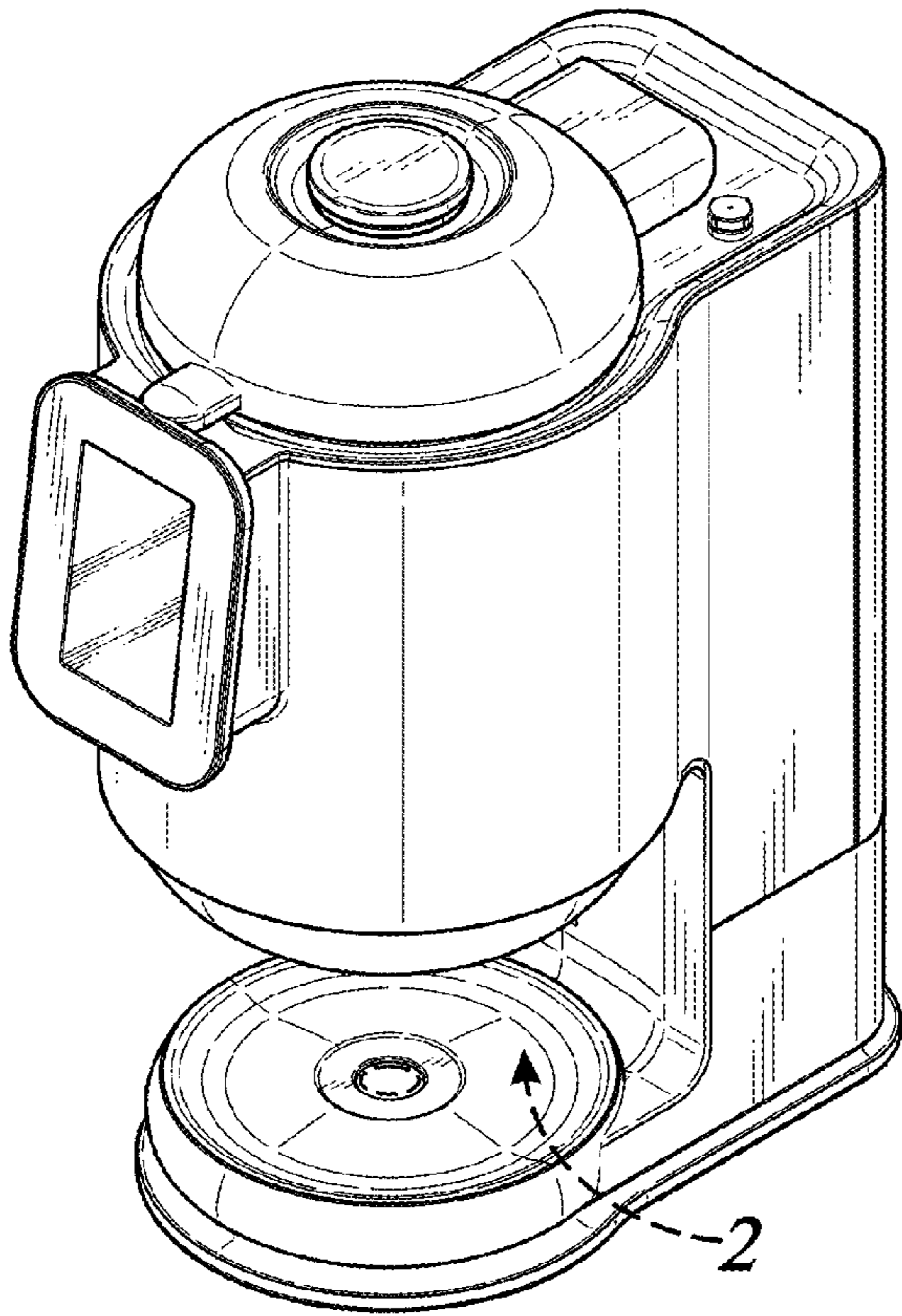


FIG. 1

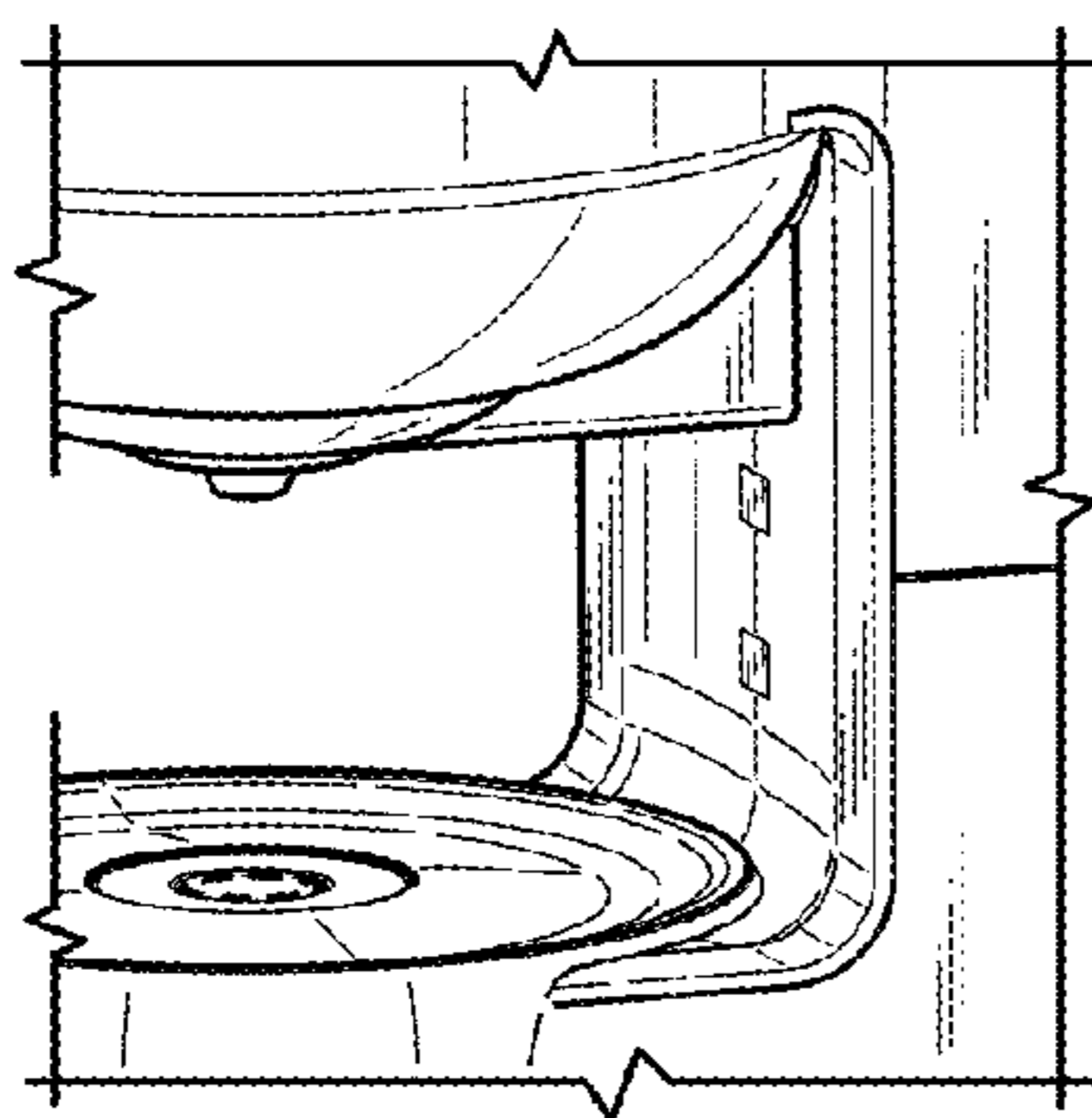


FIG. 2

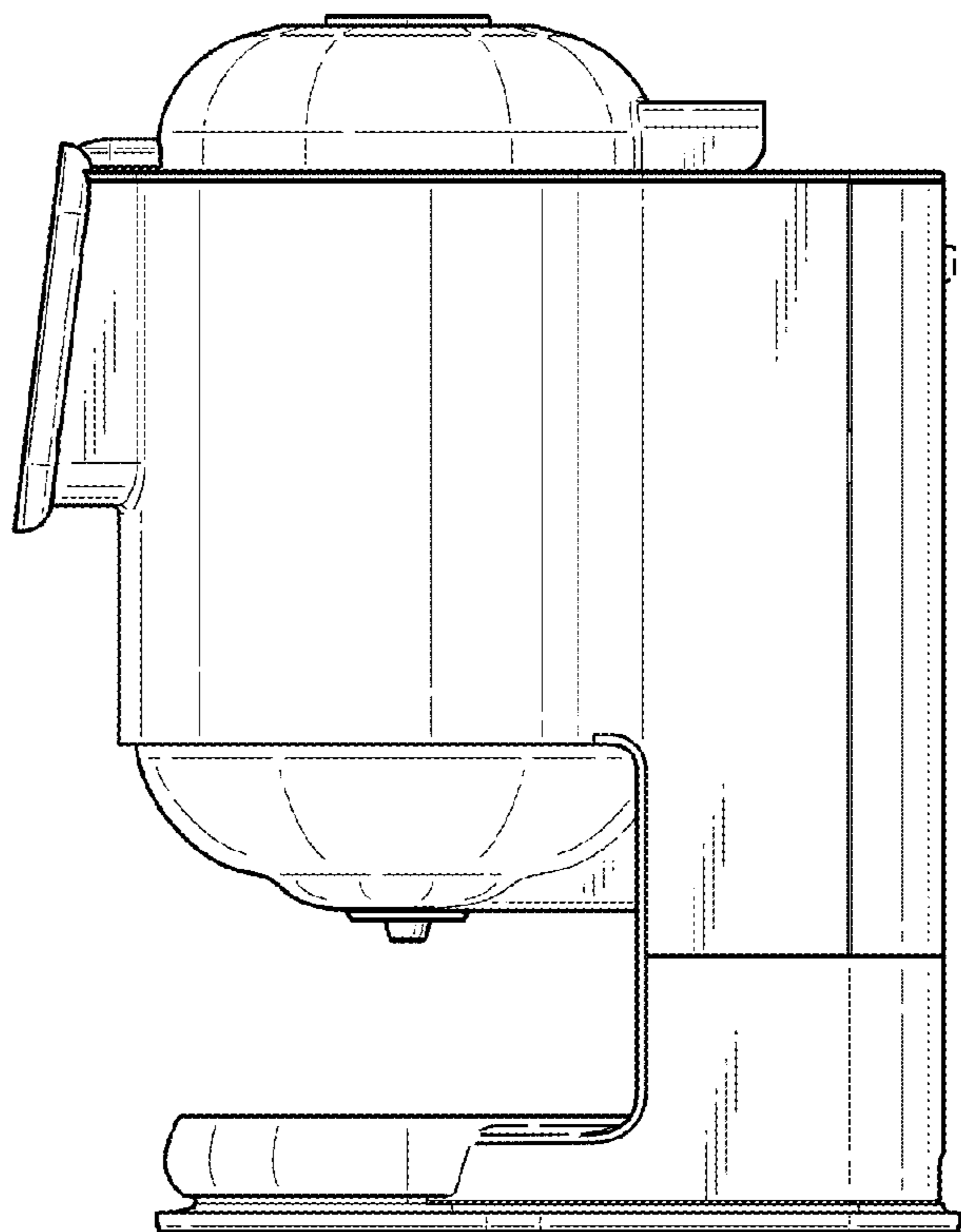
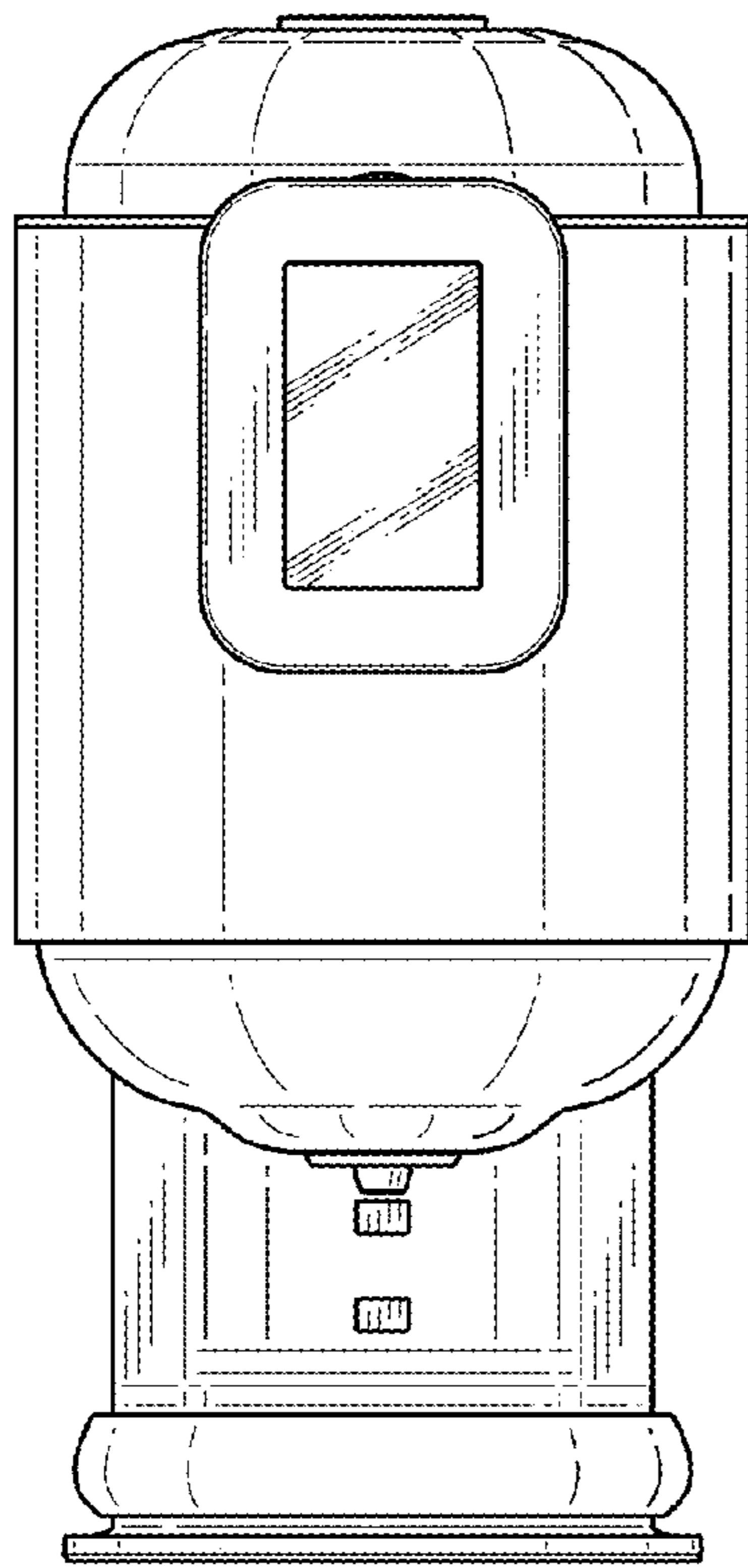
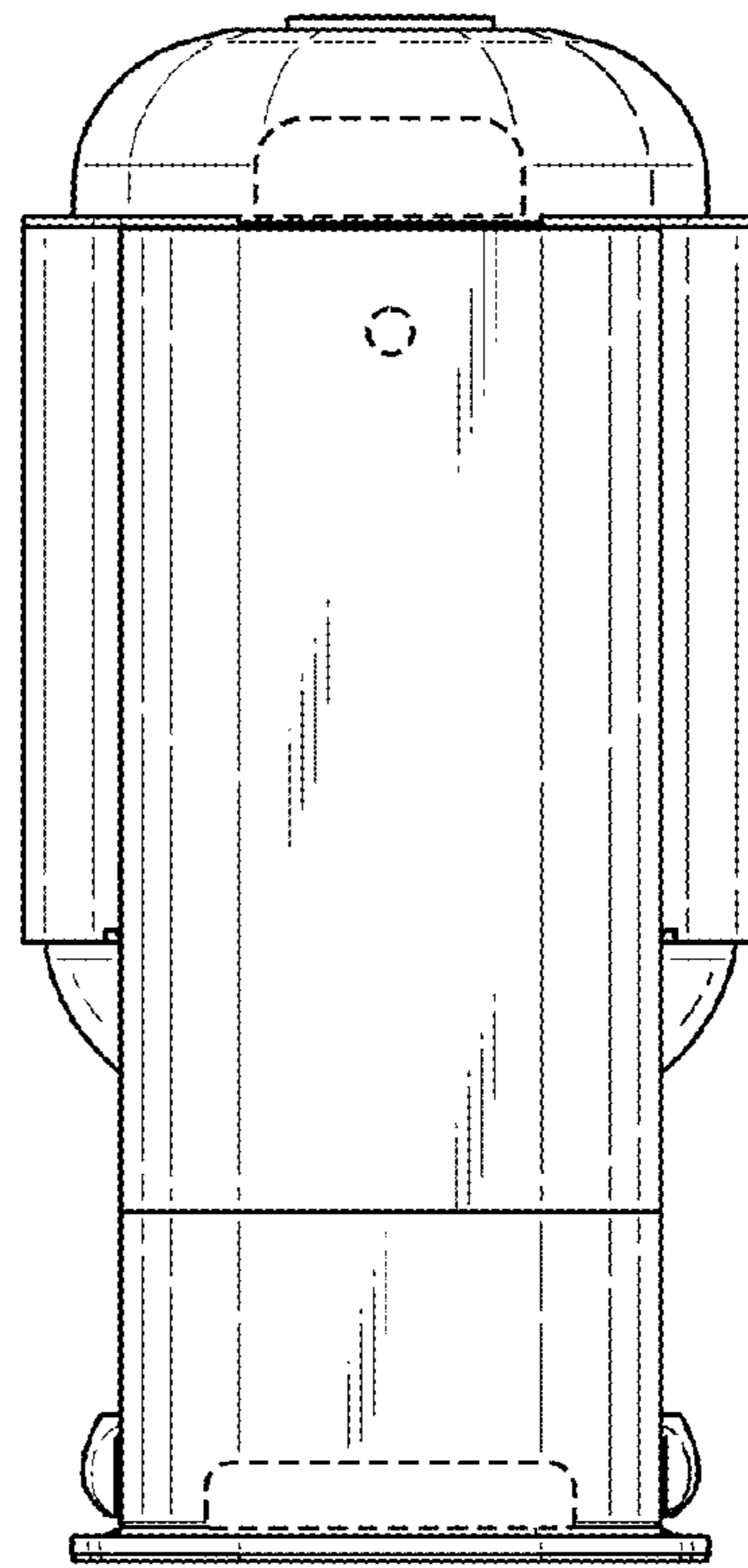


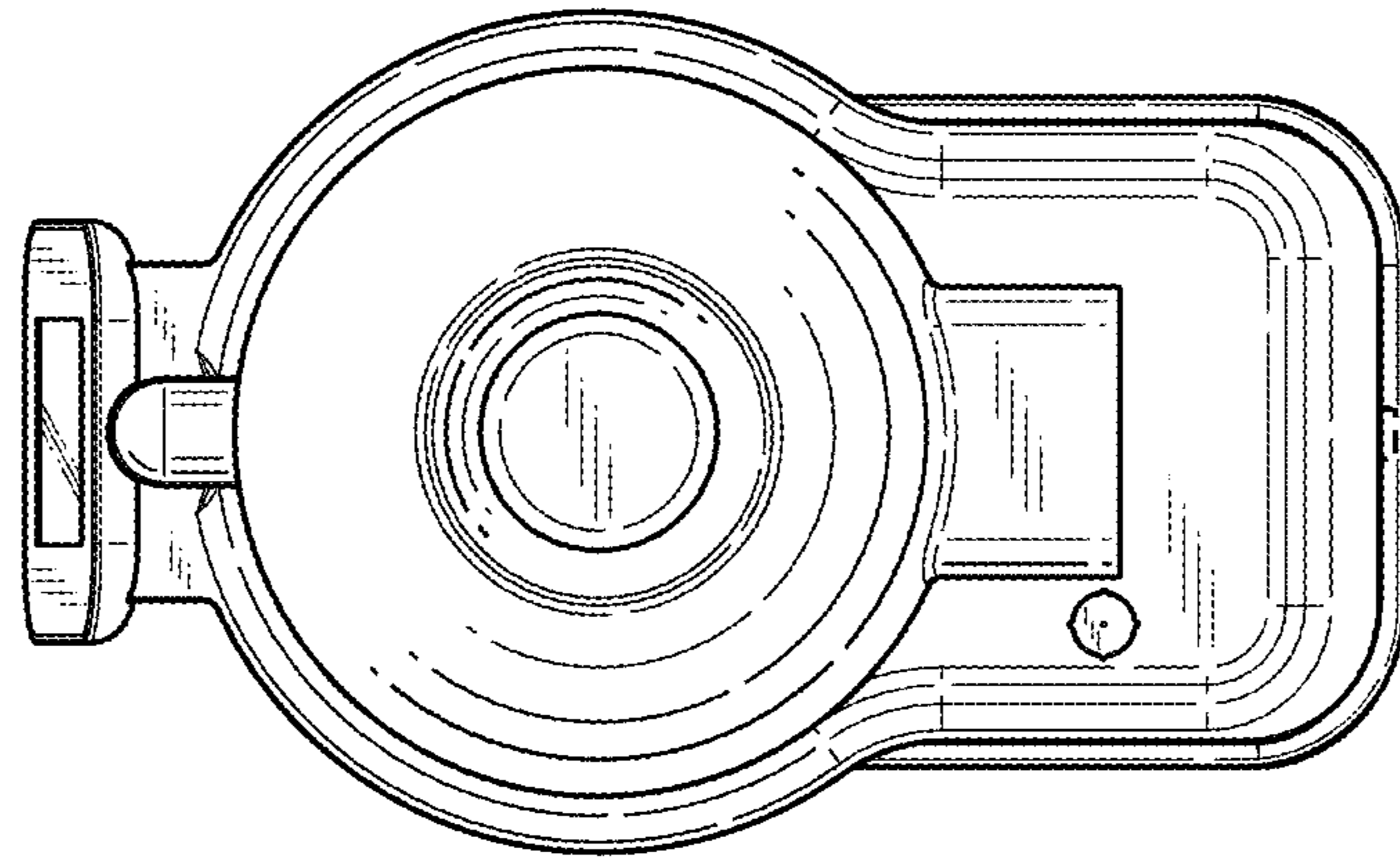
FIG. 3



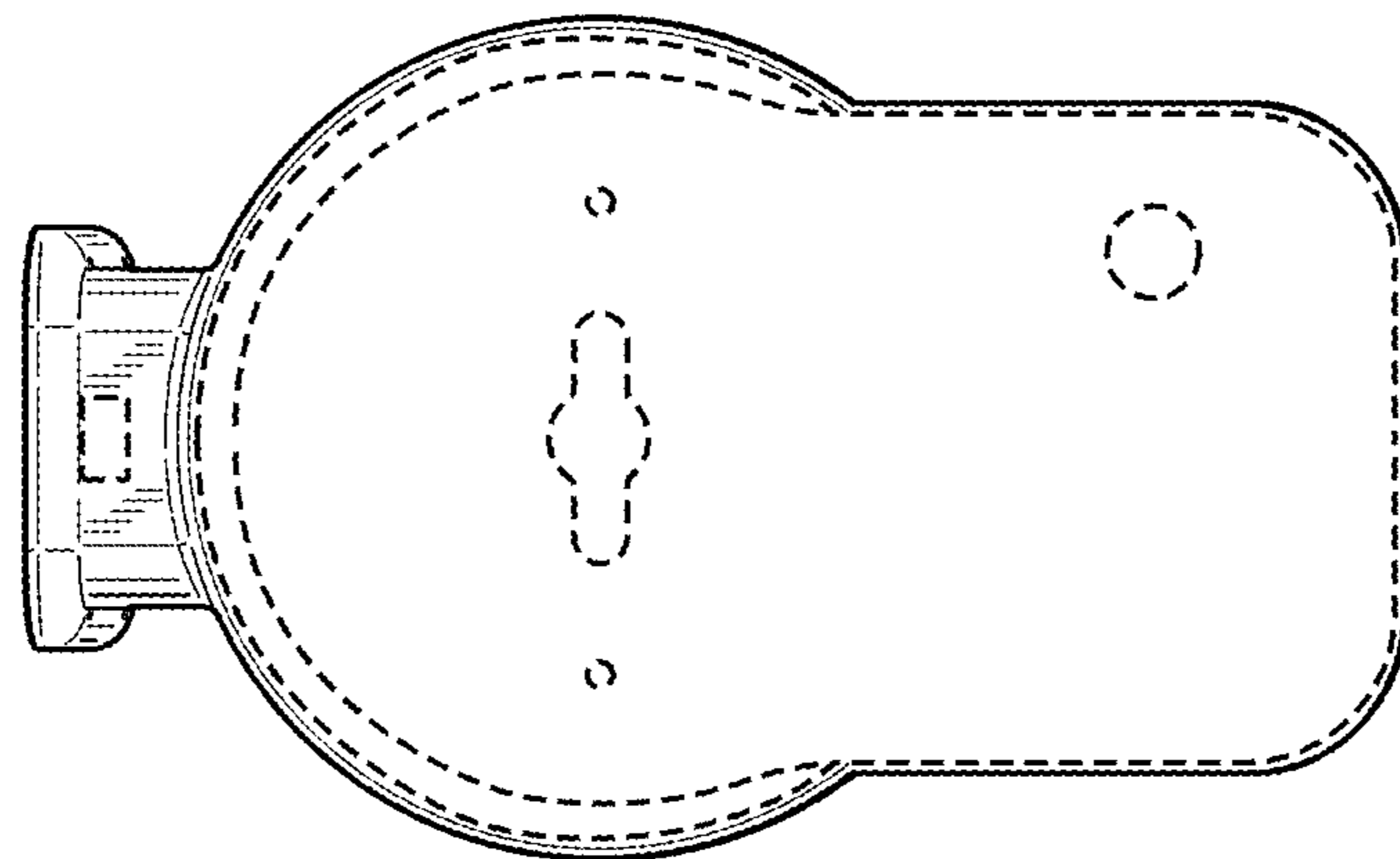
*FIG. 4*



*FIG. 5*



*FIG. 6*



*FIG. 7*