



US00D685219S

(12) **United States Design Patent**
Ciampa

(10) **Patent No.:** **US D685,219 S**

(45) **Date of Patent:** **** Jul. 2, 2013**

(54) **JUG**

(76) **Inventor:** **Joe John Ciampa**, New South Wales
(AU)

(**) **Term:** **14 Years**

(21) **Appl. No.:** **29/423,496**

(22) **Filed:** **Jun. 1, 2012**

(30) **Foreign Application Priority Data**

Dec. 2, 2011 (AU) 15509/2011

(51) **LOC (9) Cl.** **07-01**

(52) **U.S. Cl.**
USPC **D7/319; D7/316; D7/318**

(58) **Field of Classification Search**
USPC .. D7/316-319, 600, 598, 312, 300.1; 210/85,
210/251; 222/465.1; 215/12.1
See application file for complete search history.

(56) **References Cited**

U.S. PATENT DOCUMENTS

3,312,495 A * 4/1967 Serio 294/31.2
D232,410 S * 8/1974 Rakocy D7/309

D245,058 S * 7/1977 Hauenstein D7/318
4,058,338 A * 11/1977 Brown 294/31.2
D633,324 S * 3/2011 Mondragon et al. D7/317
D638,651 S * 5/2011 Butler D7/318
D643,242 S * 8/2011 Butler D7/319
D655,563 S * 3/2012 Kern et al. D7/319

* cited by examiner

Primary Examiner — Marianne Pandozzi

(74) *Attorney, Agent, or Firm* — Carter, DeLuca, Farrell & Schmidt LLP

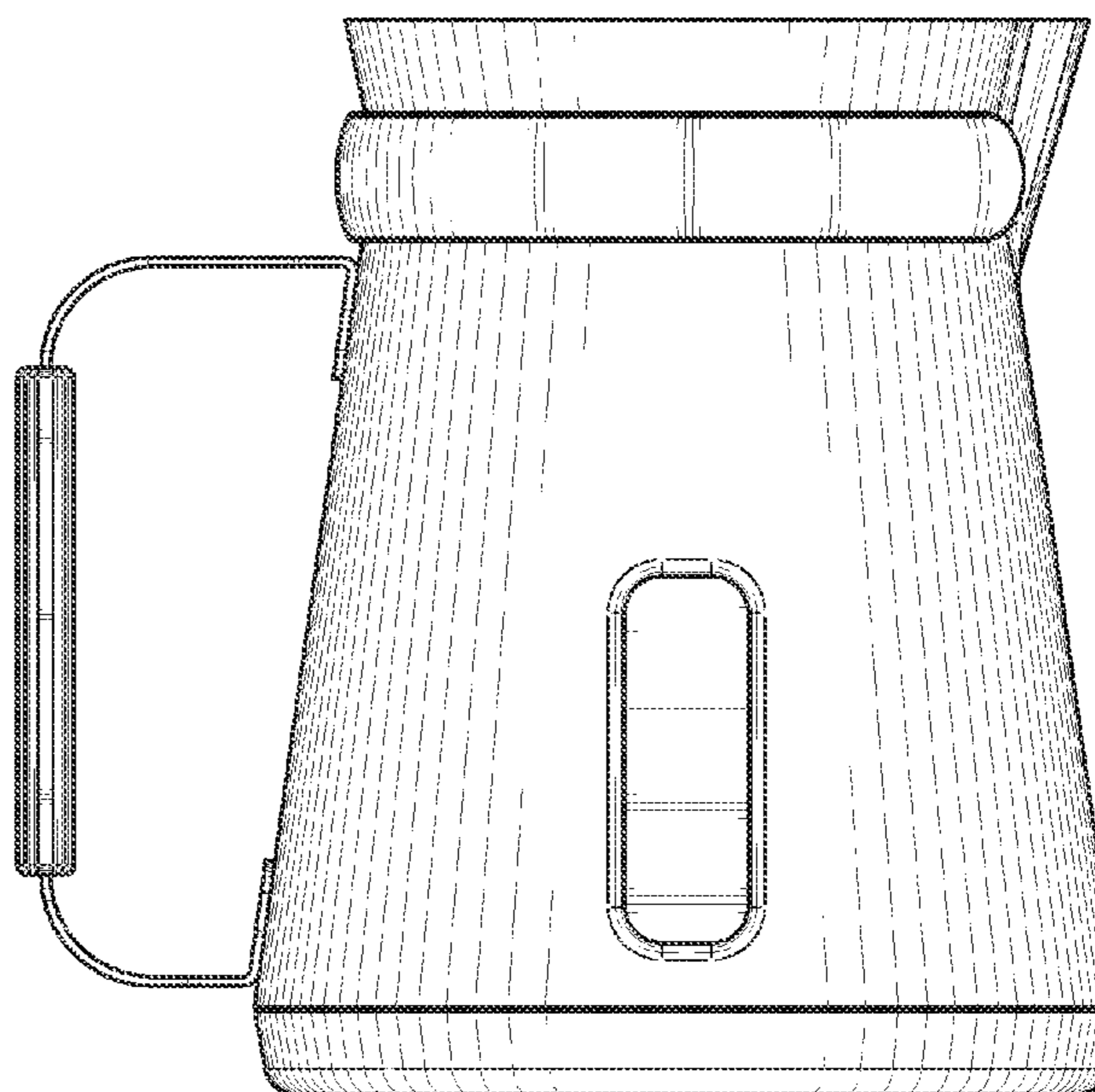
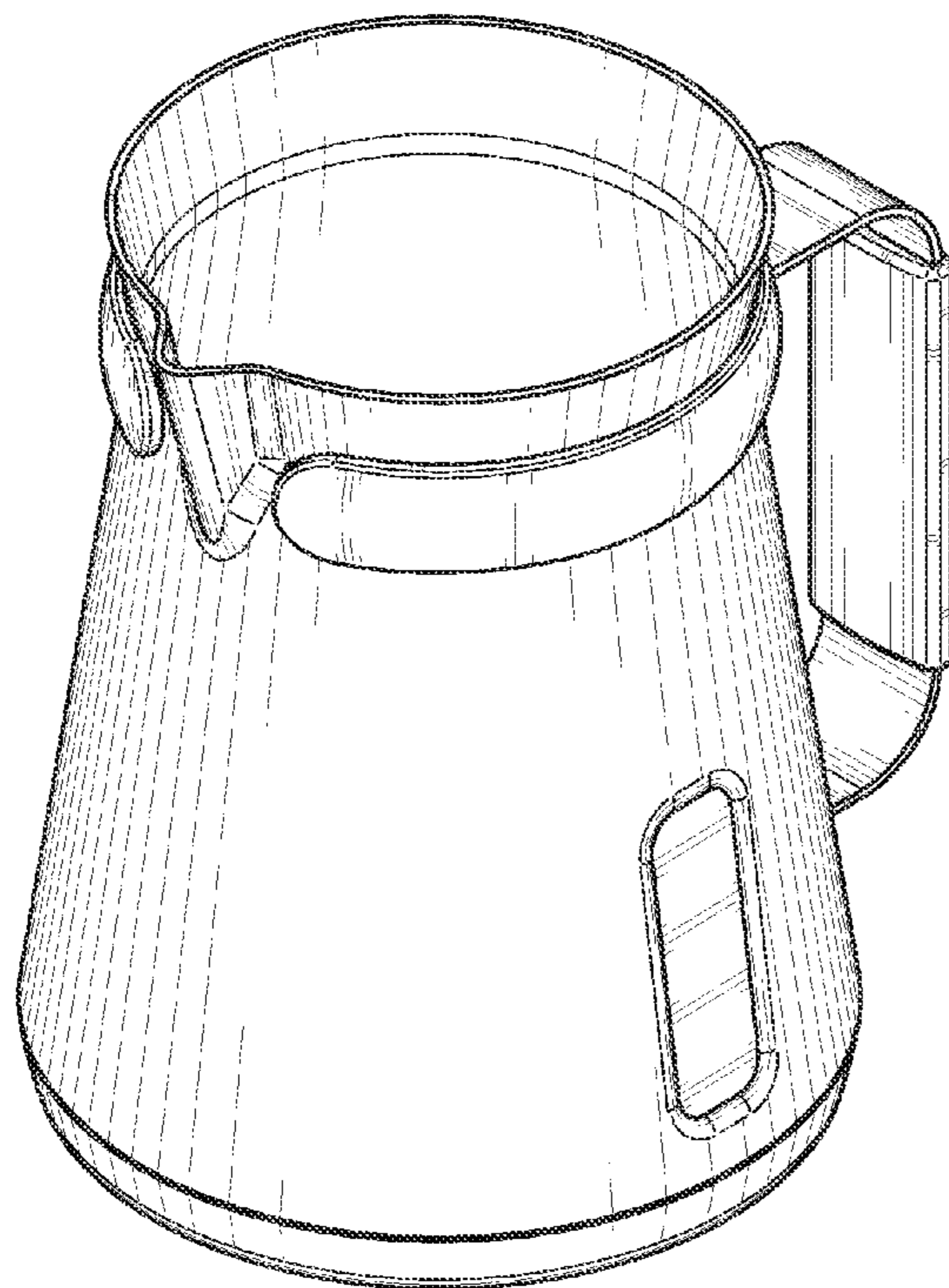
(57) **CLAIM**

The ornamental design for a jug, as shown and described.

DESCRIPTION

FIG. 1 is a front perspective view of a jug in accordance with the present design;
FIG. 2 is a side elevational view, the opposite side being a mirror image thereof;
FIG. 3 is a front elevational view thereof;
FIG. 4 is a rear elevational view thereof;
FIG. 5 is a top plan view thereof; and
FIG. 6 is a bottom plan view thereof.

1 Claim, 6 Drawing Sheets



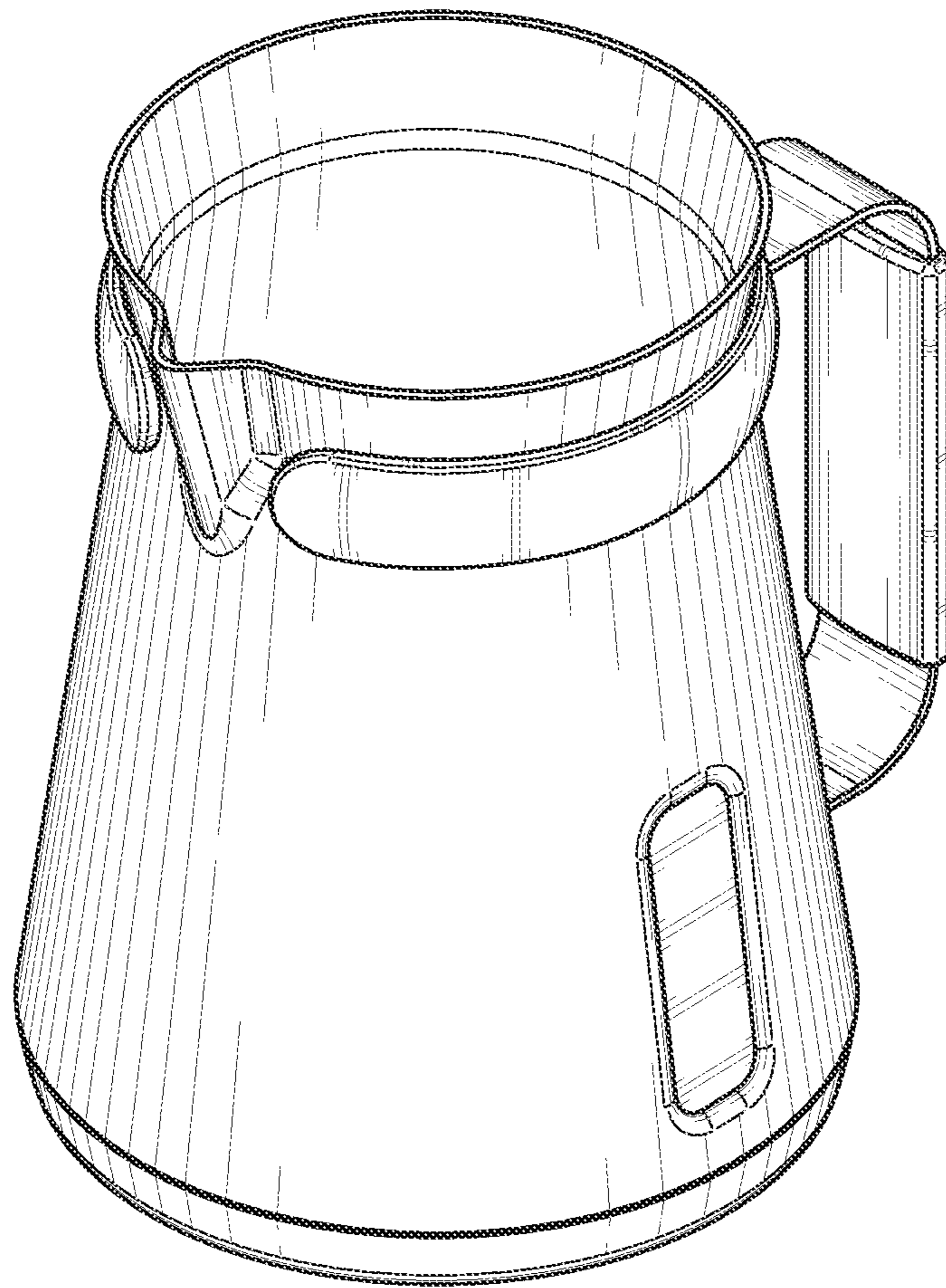


FIG. 1

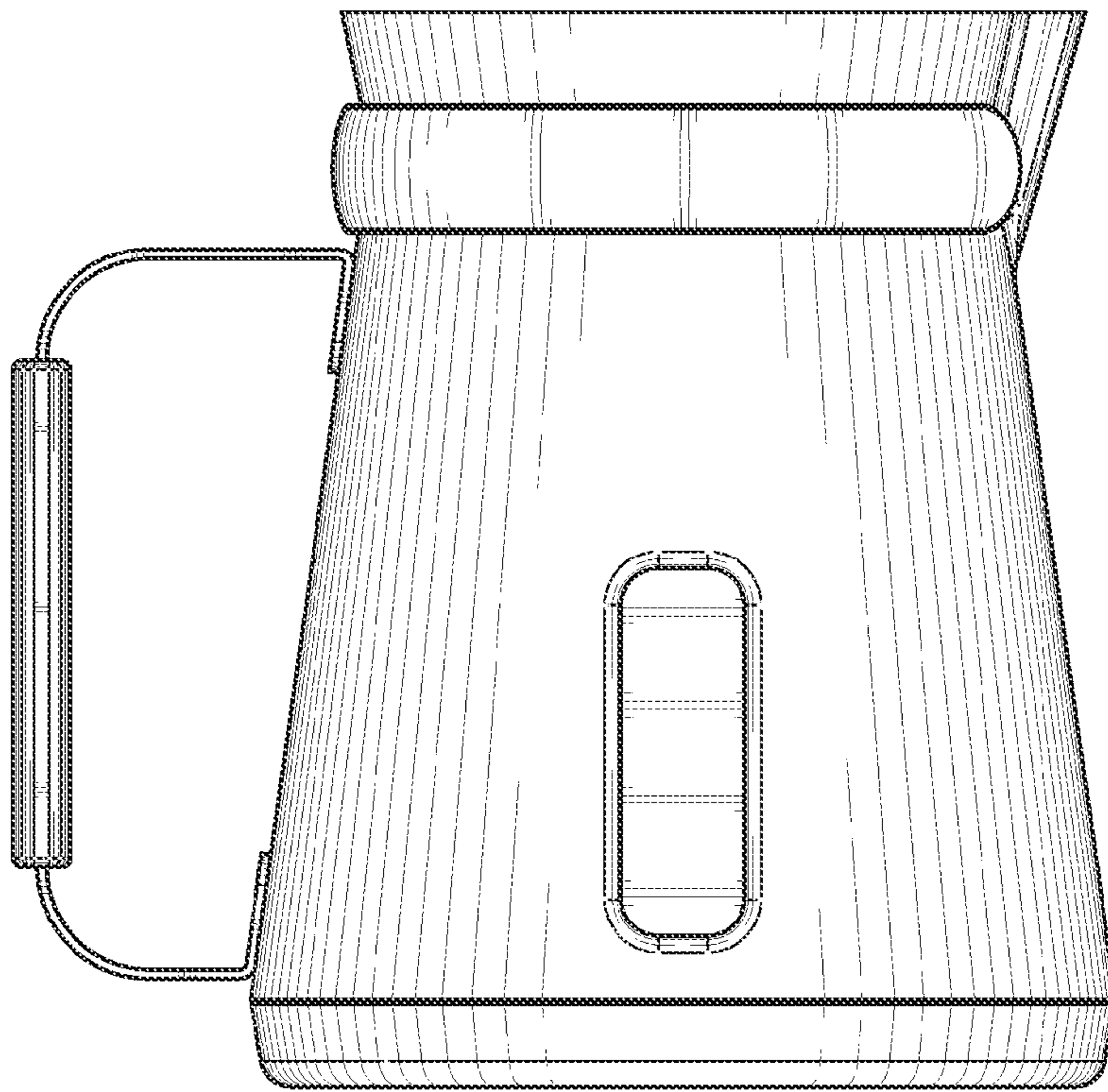


FIG. 2

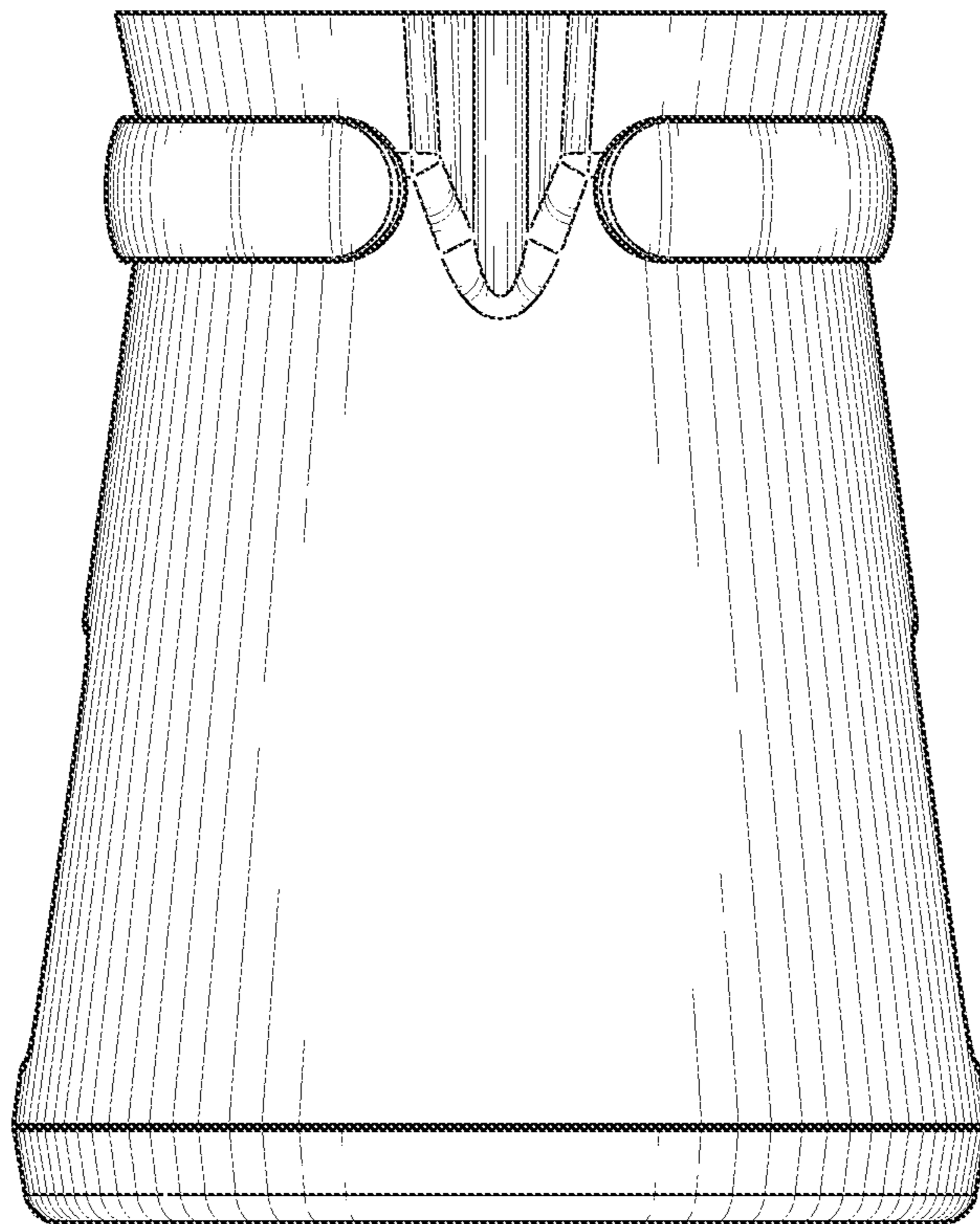


FIG. 3

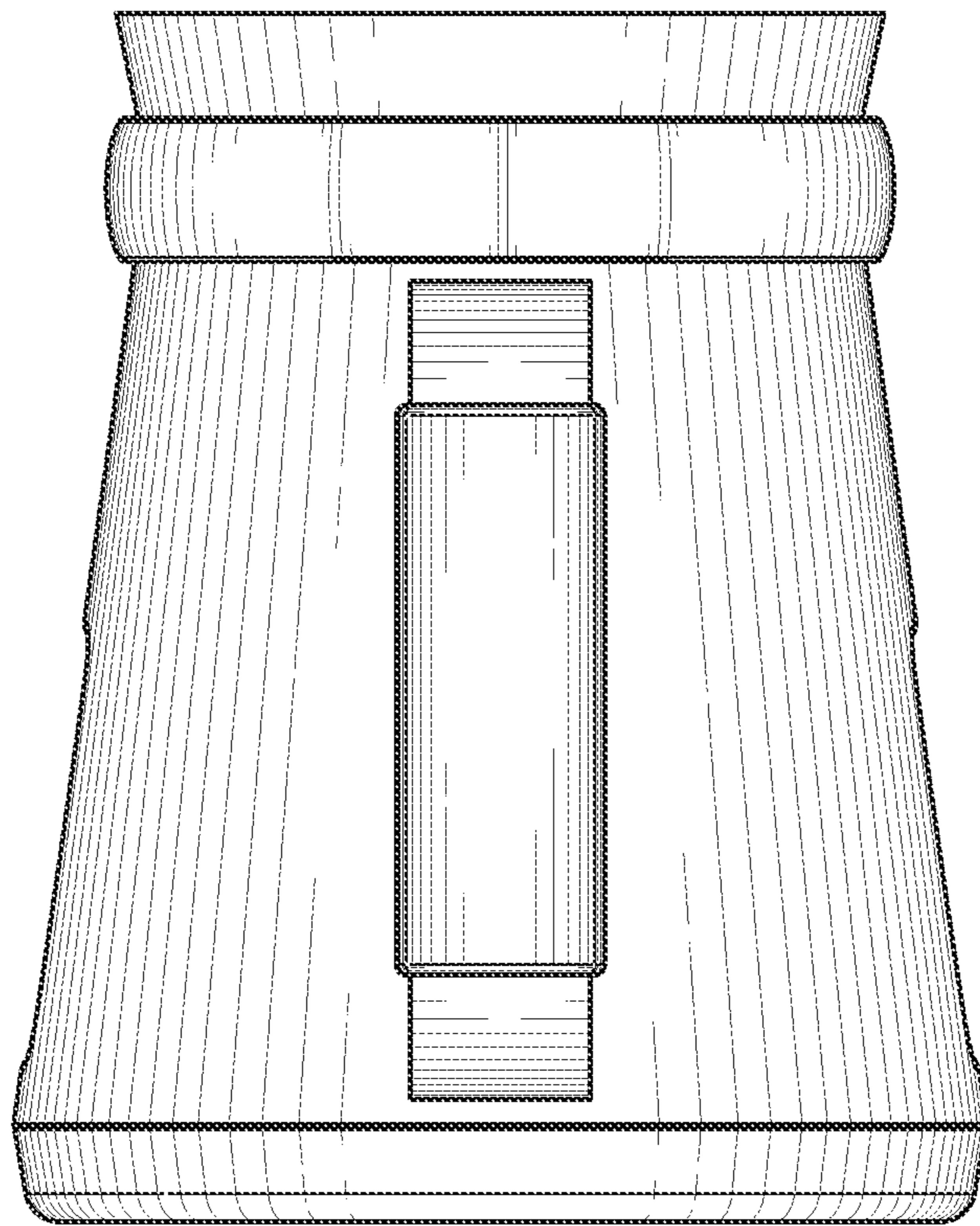


FIG. 4

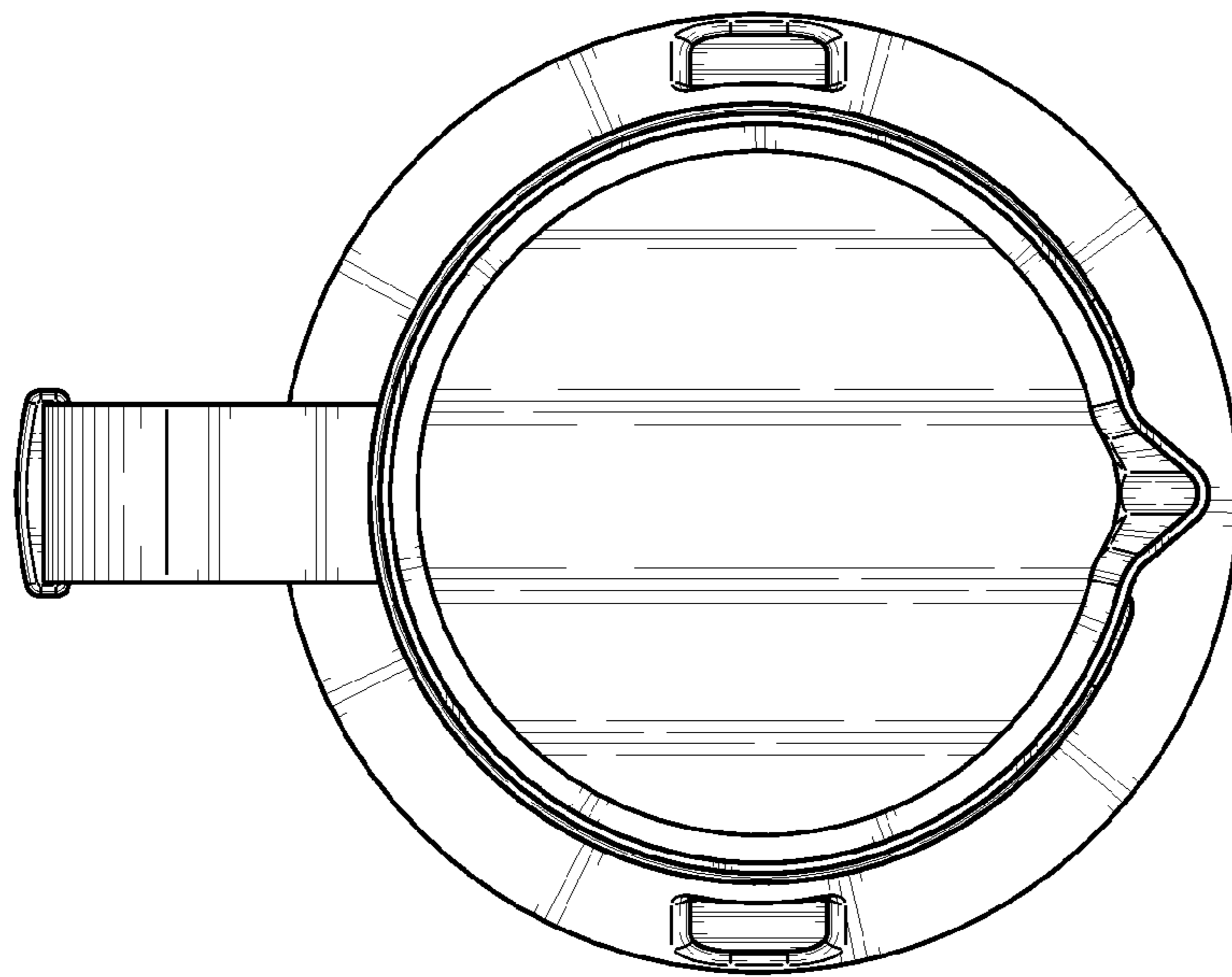


FIG. 5

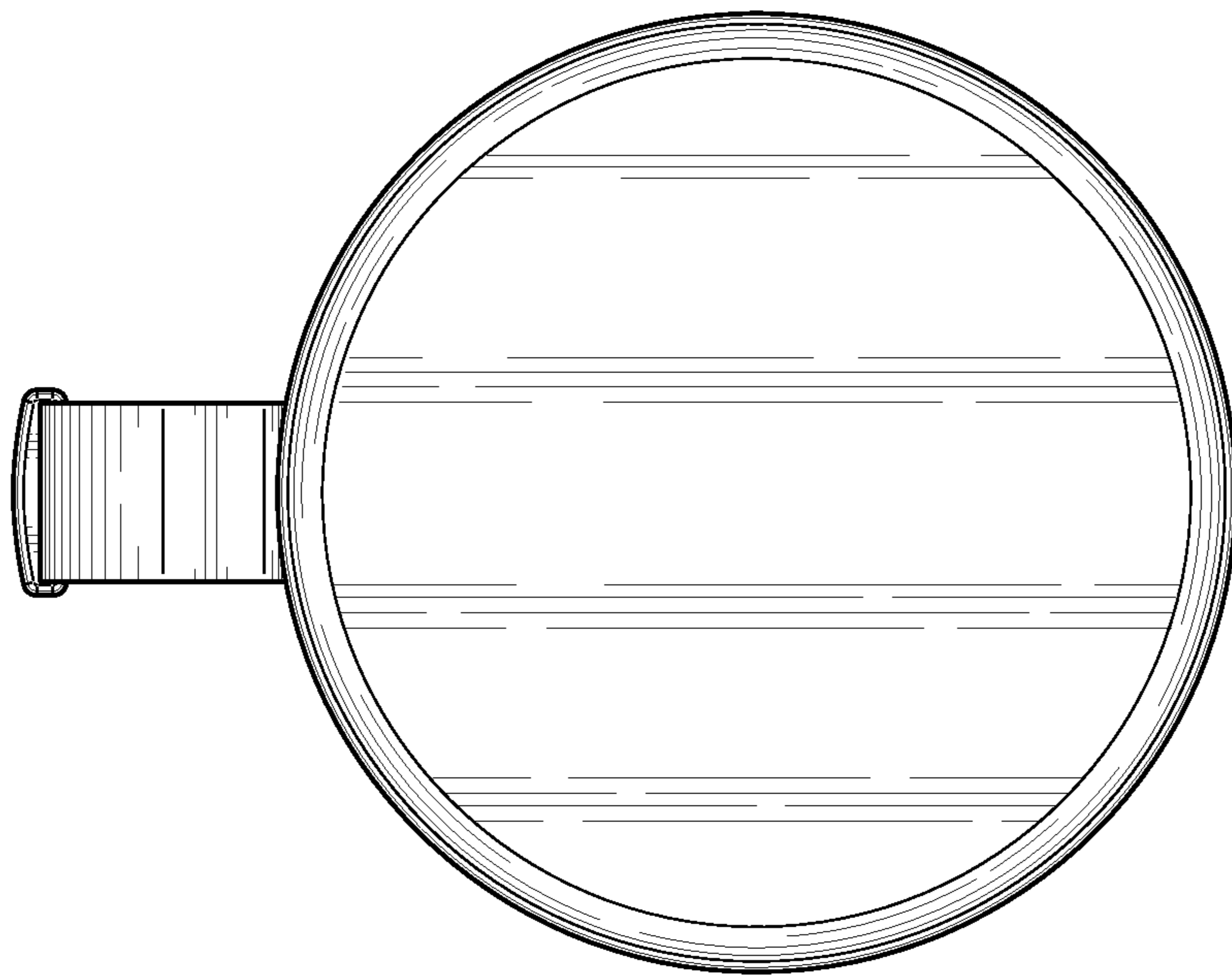


FIG. 6