



US00D685217S

(12) **United States Design Patent**
Hsiao

(10) **Patent No.:** **US D685,217 S**

(45) **Date of Patent:** **** Jul. 2, 2013**

(54) **SEAT FRAME**

(71) Applicant: **Yun-Cheng Hsiao**, Tainan (TW)

(72) Inventor: **Yun-Cheng Hsiao**, Tainan (TW)

(**) Term: **14 Years**

(21) Appl. No.: **29/433,671**

(22) Filed: **Oct. 3, 2012**

(51) **LOC (9) Cl.** **06-01**

(52) **U.S. Cl.**
USPC **D6/716.1**

(58) **Field of Classification Search**
USPC D6/334-336, 364, 365, 366, 367,
D6/371-374, 376, 379, 380, 716, 716.1, 716.2,
D6/716.3, 716.4; 297/218.4, 284.11, 301.1,
297/440.11, 452.18, 452.2, 452.21, 452.59,
297/452.63

See application file for complete search history.

(56) **References Cited**

U.S. PATENT DOCUMENTS

6,499,802 B2 * 12/2002 Drira 297/284.11
7,147,286 B2 * 12/2006 Cesaroni et al. 297/301.1
8,033,612 B2 * 10/2011 Smith et al. 297/452.21

8,038,221 B2 * 10/2011 Smith et al. 297/440.11
D659,446 S * 5/2012 Wu D6/716.1
D673,796 S * 1/2013 Su D6/716.4
2002/0145326 A1 * 10/2002 Liu 297/440.11

* cited by examiner

Primary Examiner — Mimoso De

(74) *Attorney, Agent, or Firm* — Charles E. Baxley

(57) **CLAIM**

The ornamental design for a seat frame, as shown and described.

DESCRIPTION

FIG. 1 is a perspective view of a seat frame, showing my new design;

FIG. 2 is a front view thereof;

FIG. 3 is a rear view thereof;

FIG. 4 is a left side view thereof;

FIG. 5 is a right side view thereof;

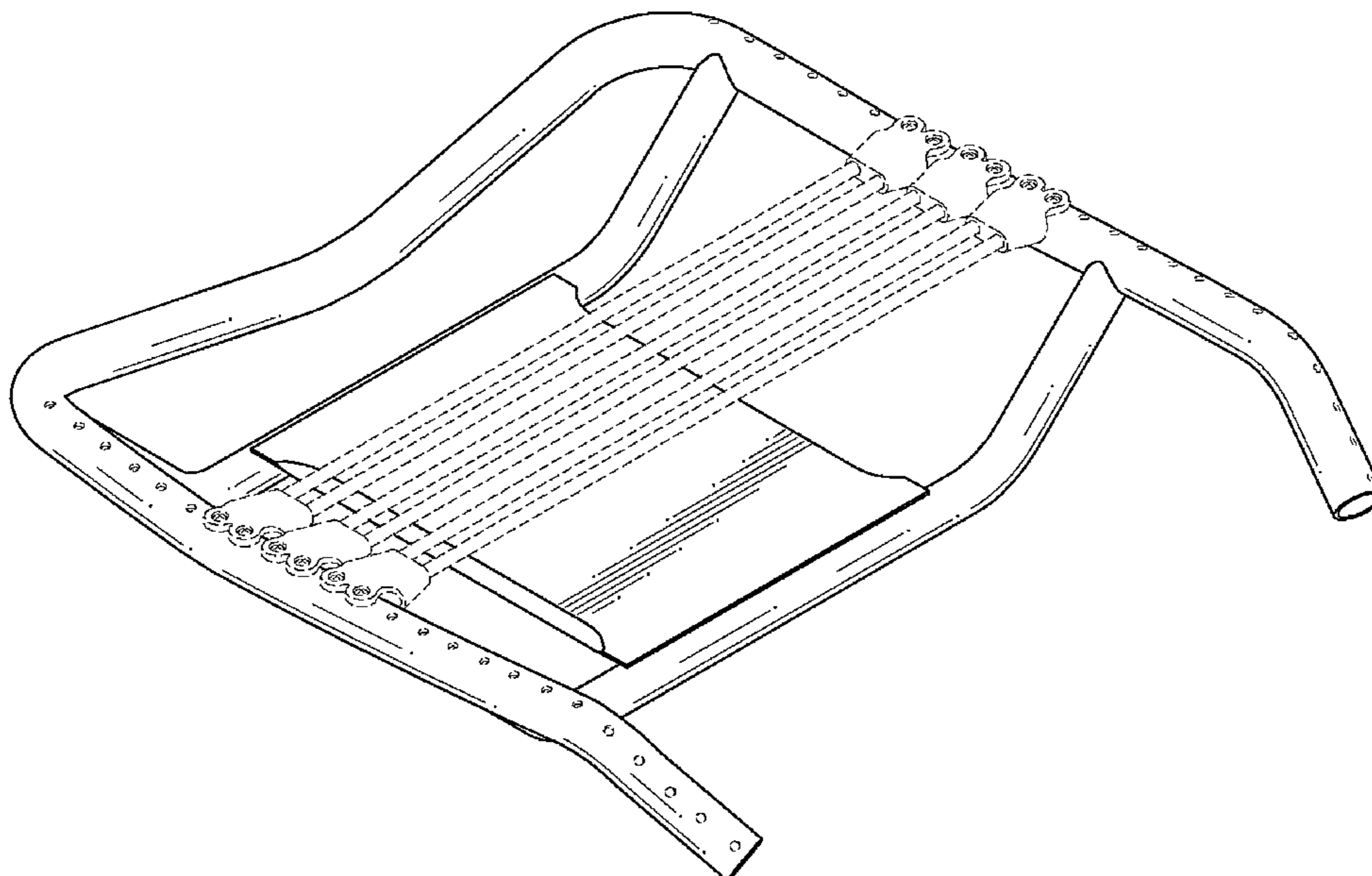
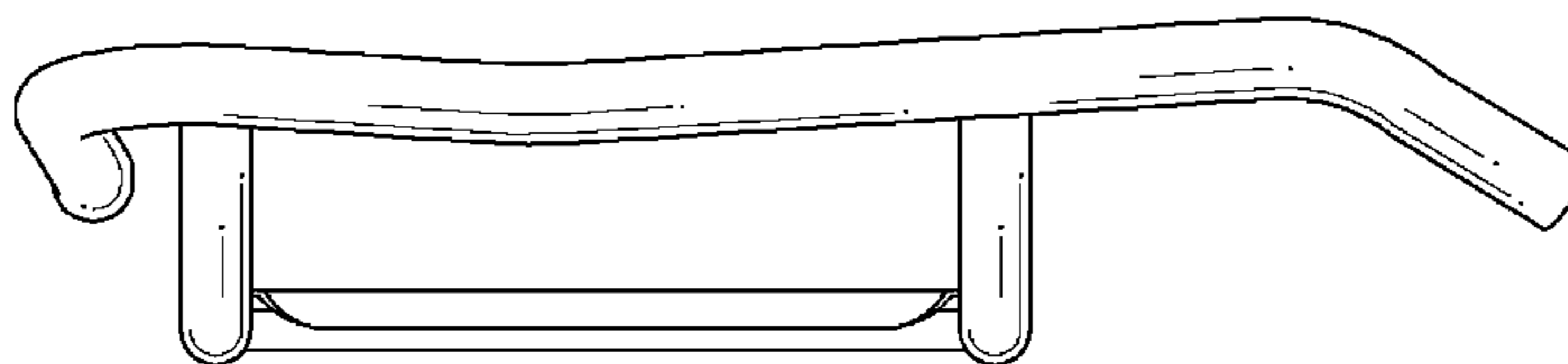
FIG. 6 is a top view thereof;

FIG. 7 is a bottom view thereof; and,

FIG. 8 is another perspective view thereof connected to multiple resilient strips.

The broken lines on the drawings are shown for illustrative purposes only and form no part of the claimed design.

1 Claim, 6 Drawing Sheets



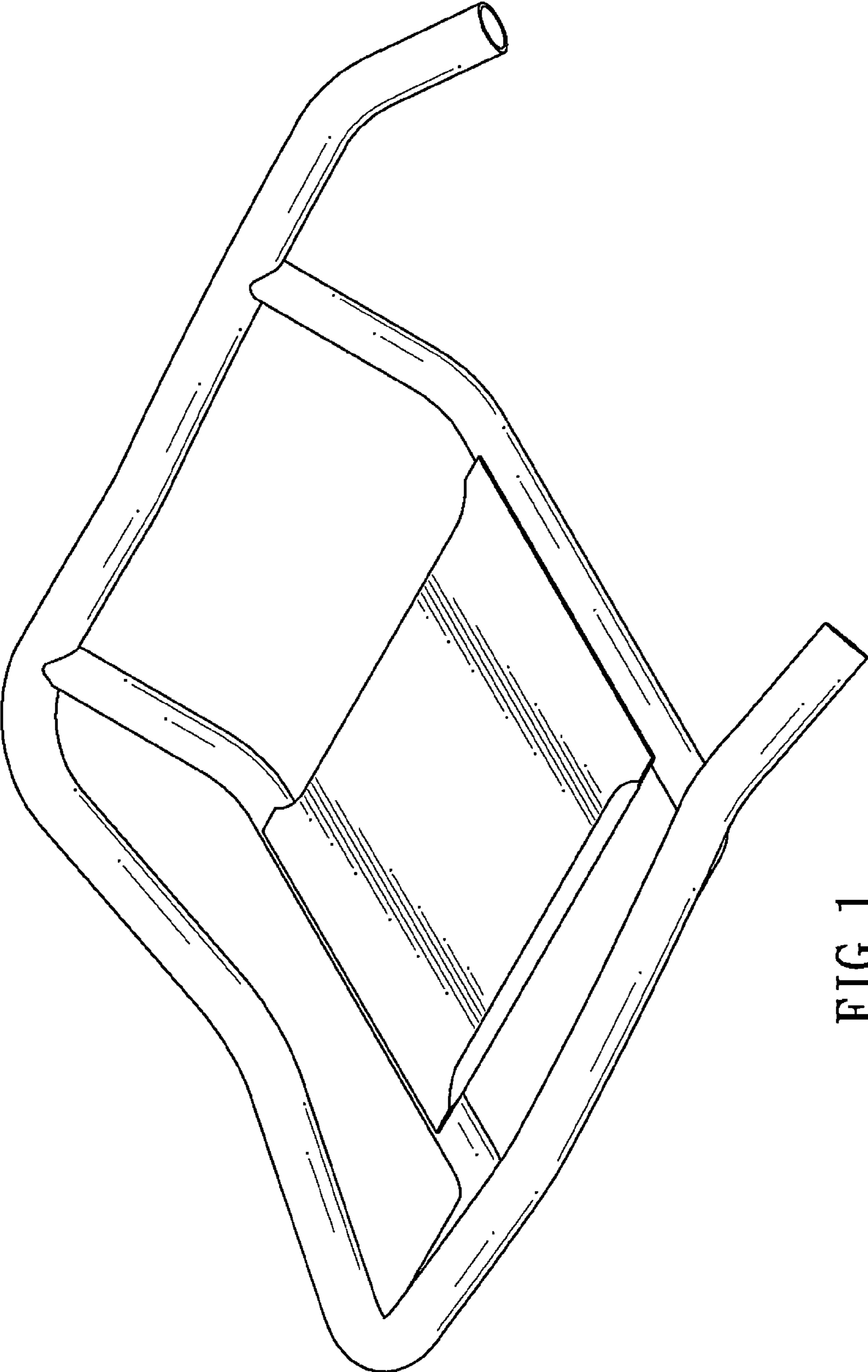


FIG. 1



FIG. 2

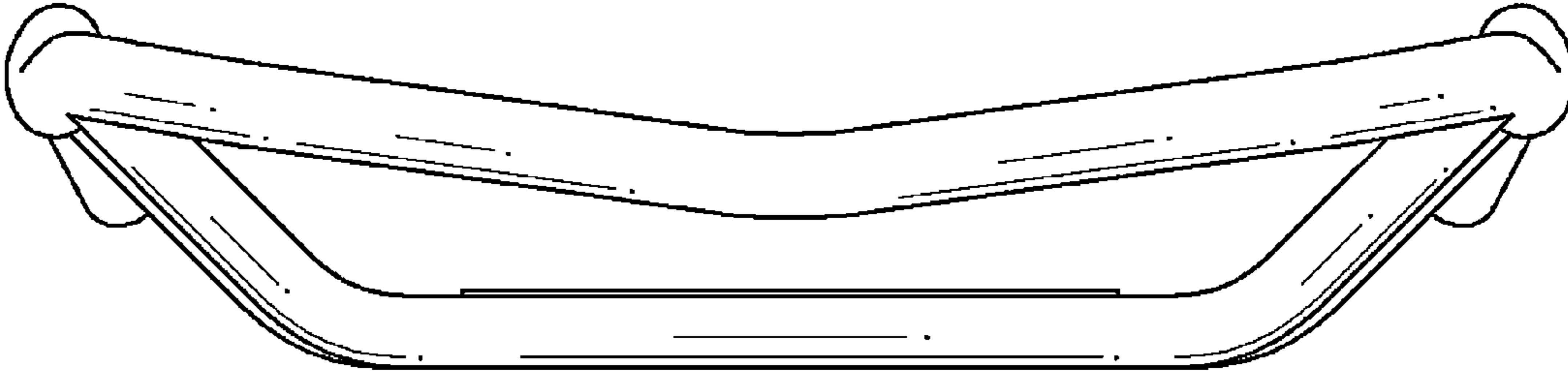


FIG. 3

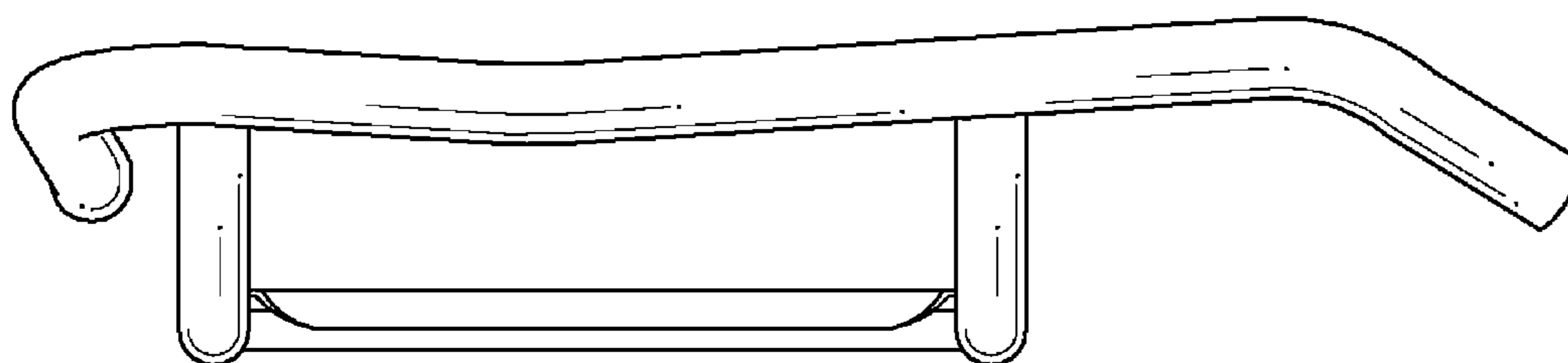


FIG. 4

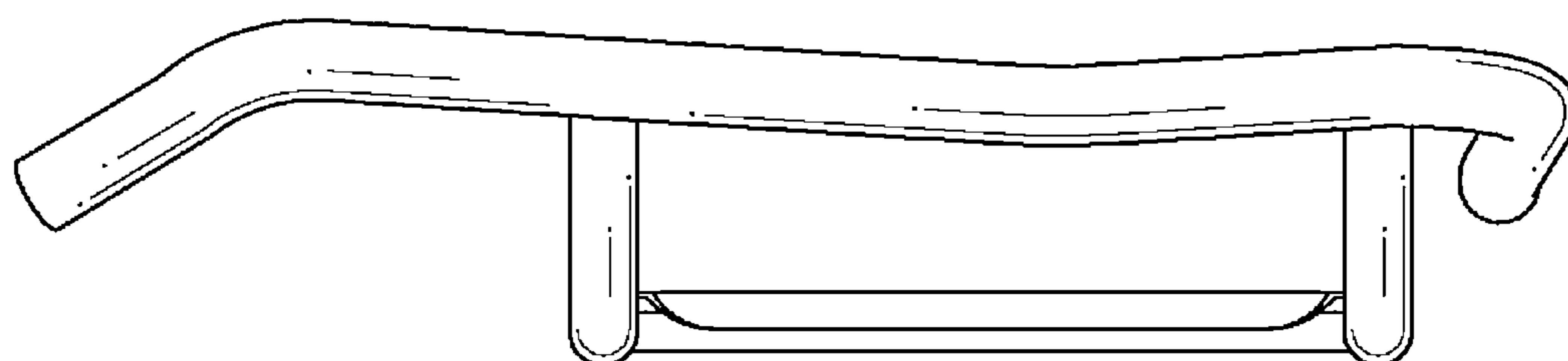


FIG. 5

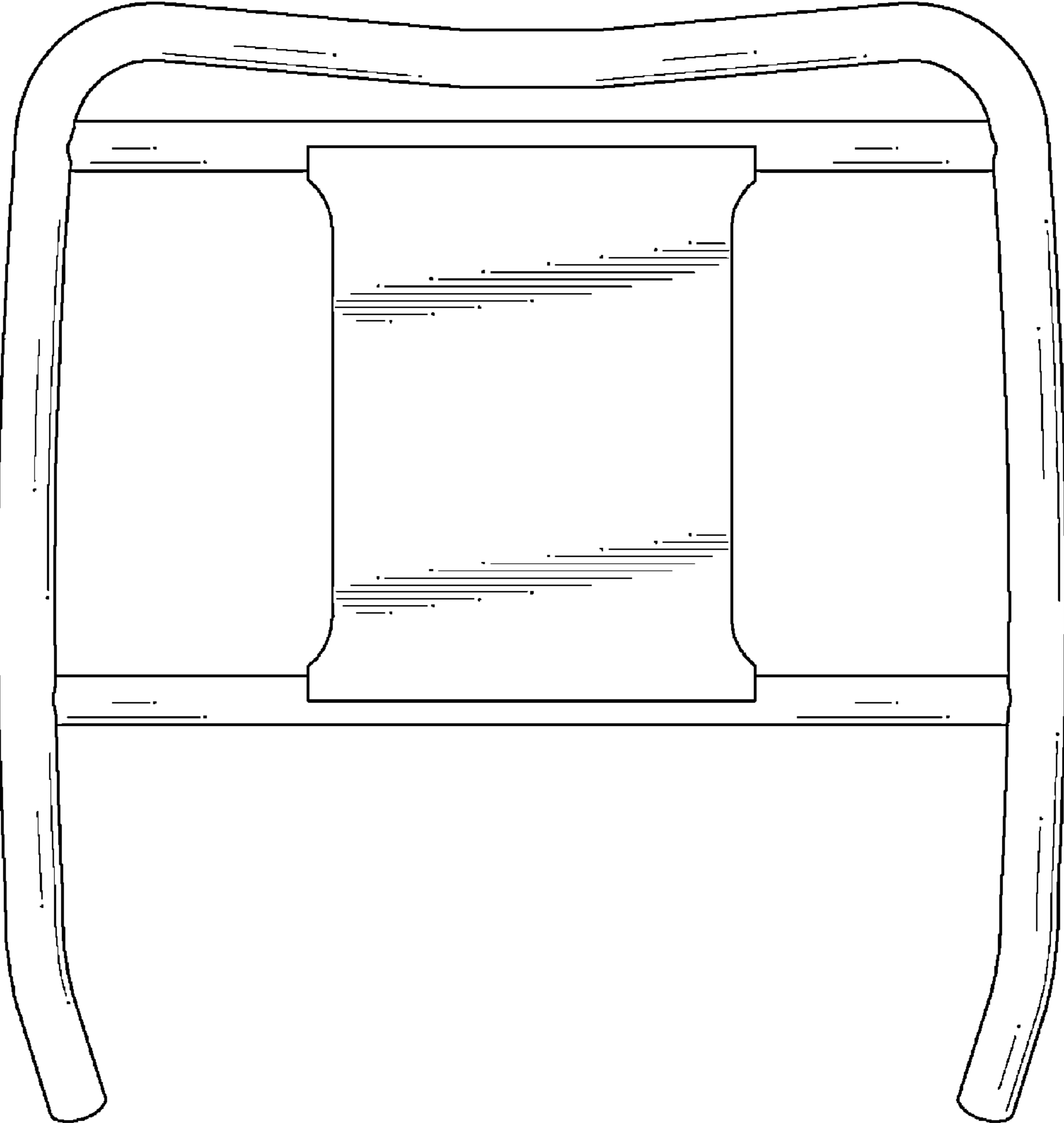


FIG. 6

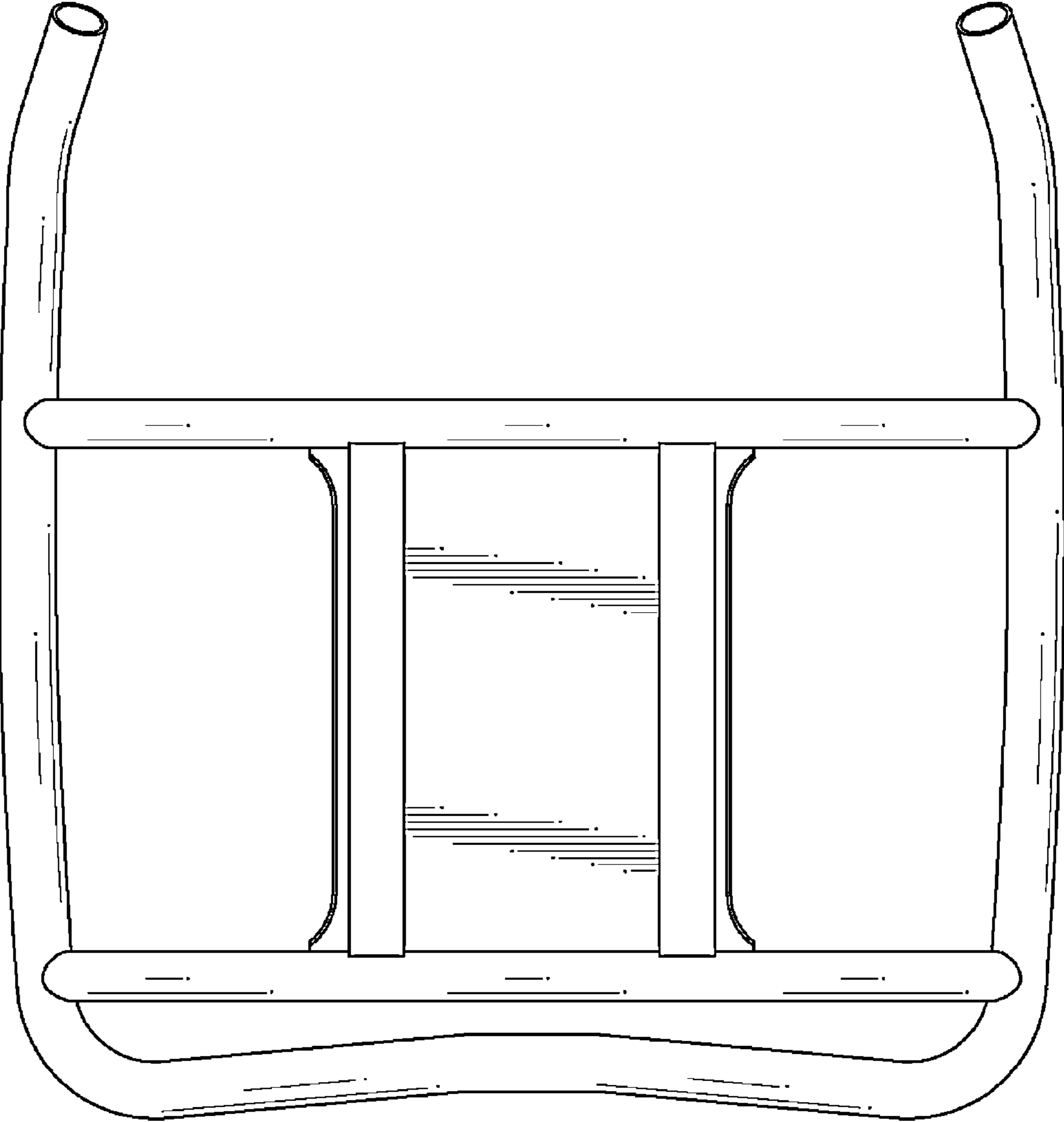


FIG. 7

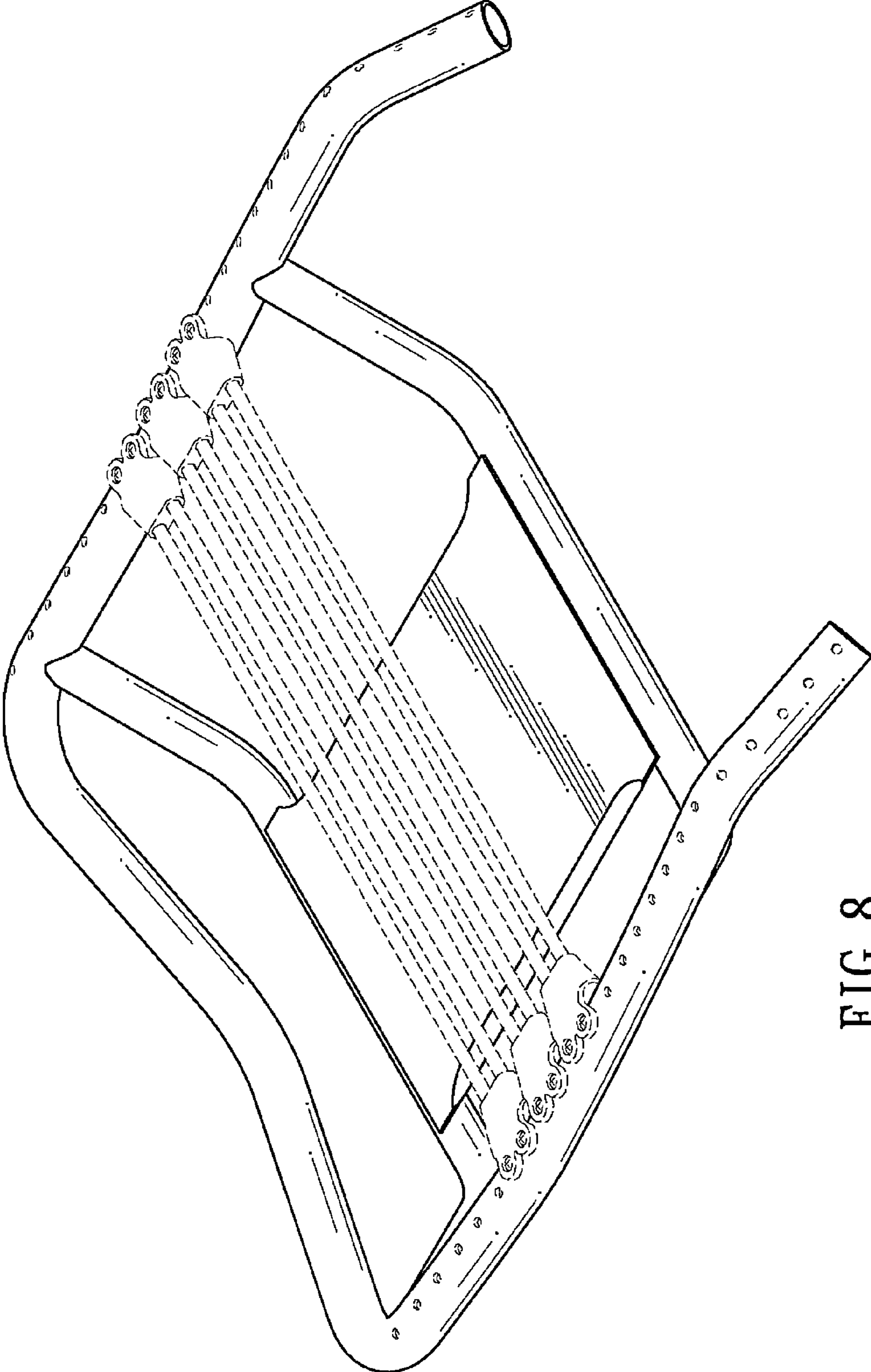


FIG. 8