

US00D685210S

(12) **United States Design Patent**
Josephson et al.

(10) **Patent No.:** **US D685,210 S**
(45) **Date of Patent:** **** Jul. 2, 2013**

(54) **CELLULAR SHADE COMPONENT**

(75) Inventors: **Paul F. Josephson**, Firestone, CO (US);
Thomas E. Sevcik, Fort Lupton, CO
(US); **Paul G. Swiszczy**, Niwot, CO (US)

(73) Assignee: **Hunter Douglas Inc.**, Pearl River, NJ
(US)

(**) Term: **14 Years**

(21) Appl. No.: **29/400,375**

(22) Filed: **Aug. 26, 2011**

(51) **LOC (9) Cl.** **06-10**

(52) **U.S. Cl.**
USPC **D6/575**

(58) **Field of Classification Search**
USPC D6/575, 576, 577; 160/84.1, 84.02; 156/197,
156/204, 292
See application file for complete search history.

(56) **References Cited**

U.S. PATENT DOCUMENTS

4,974,656	A	12/1990	Judkins	
5,158,632	A	10/1992	Colson et al.	
5,193,601	A *	3/1993	Corey et al.	160/84.02
5,205,333	A	4/1993	Judkins	
5,313,998	A	5/1994	Colson et al.	
5,503,210	A	4/1996	Colson et al.	
5,974,763	A	11/1999	Colson et al.	
D448,594	S	10/2001	Throne	
6,302,181	B1	10/2001	Rupel	
6,345,486	B1	2/2002	Colson et al.	
6,354,353	B1	3/2002	Green et al.	
6,550,519	B2	4/2003	Green et al.	
D501,749	S *	2/2005	Gruner	D6/575
D514,859	S *	2/2006	Herhold et al.	D6/575
D605,885	S *	12/2009	Judkins	D6/575
7,637,301	B2	12/2009	Forst	
D636,204	S	4/2011	Elinson et al.	
D663,147	S *	7/2012	Cheng	D6/575

2005/0155722	A1	7/2005	Colson et al.
2007/0074826	A1	4/2007	Jelic et al.
2008/0286569	A1	11/2008	Husemann et al.
2010/0095535	A1	4/2010	Akins

OTHER PUBLICATIONS

U.S. Appl. No. 29/400,378, filed Aug. 26, 2011, Sevcik.
International Search Report dated Oct. 26, 2012, PCT Application
No. PCT/US2012/052473, 4 pages.
PCT International Search Report dated Jan. 2, 2013, PCT Application
No. PCT/US2012/052493, 4 pages.

* cited by examiner

Primary Examiner — Susan Bennett Hattan

Assistant Examiner — Barbara B Lohr

(74) *Attorney, Agent, or Firm* — Dorsey & Whitney LLP

(57) **CLAIM**

The ornamental design for a cellular shade component, as
shown and described.

DESCRIPTION

FIG. 1 is an isometric view of the cellular shade component.
FIG. 2 is a right side elevation view of the cellular shade
component of FIG. 1.

FIG. 3 is a front elevation view of the cellular shade compo-
nent of FIG. 1.

FIG. 4 is a rear elevation view of the cellular shade component
of FIG. 1.

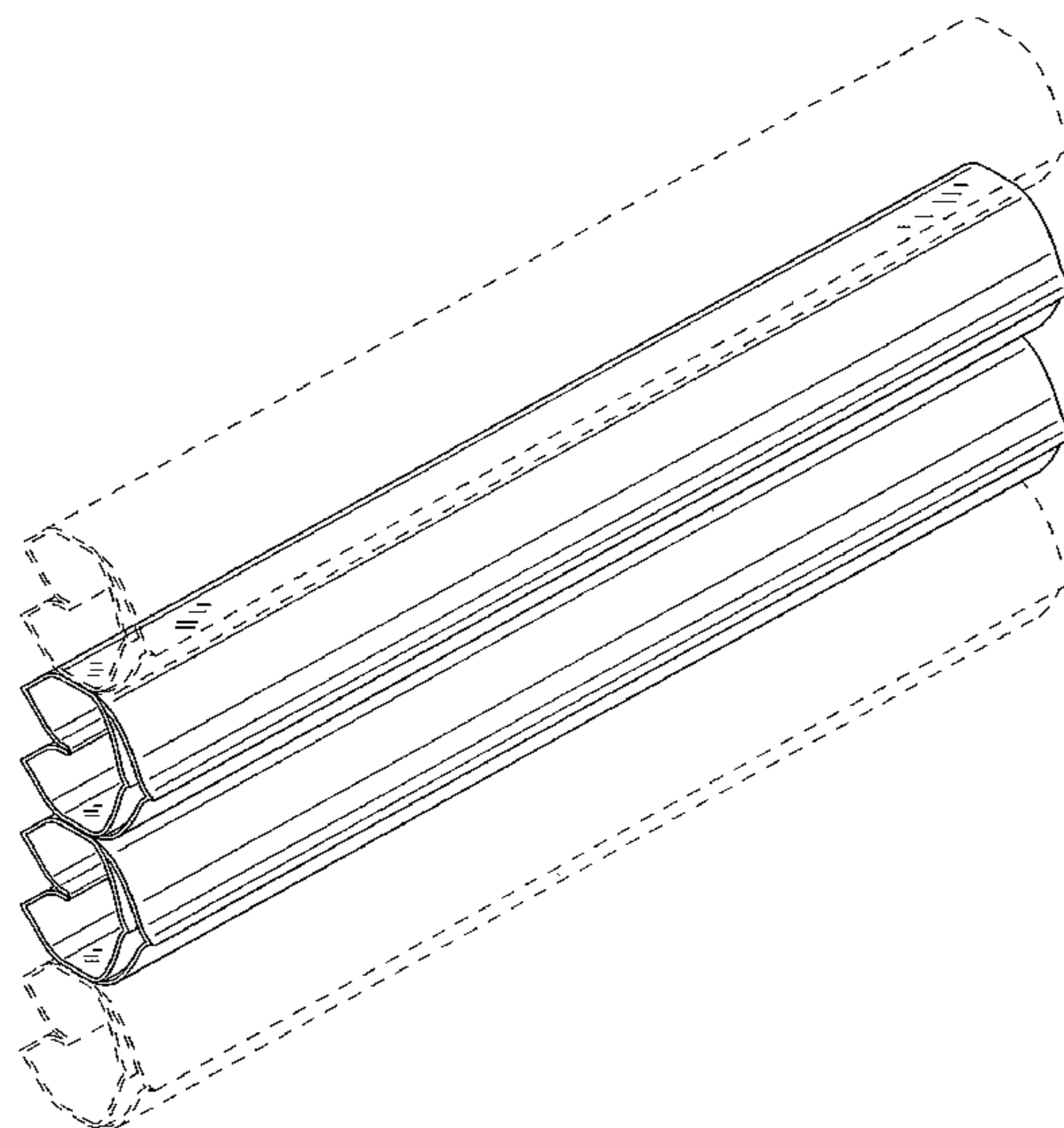
FIG. 5 is bottom plan view of the cellular shade component of
FIG. 1; and,

FIG. 6 is a top plan view of the cellular shade component of
FIG. 1.

The left side elevation view is a mirror image of the right side
elevation view.

The broken lines shown in the drawings are for purposes of
illustrating use and environment only and form no part of the
claimed design.

1 Claim, 5 Drawing Sheets



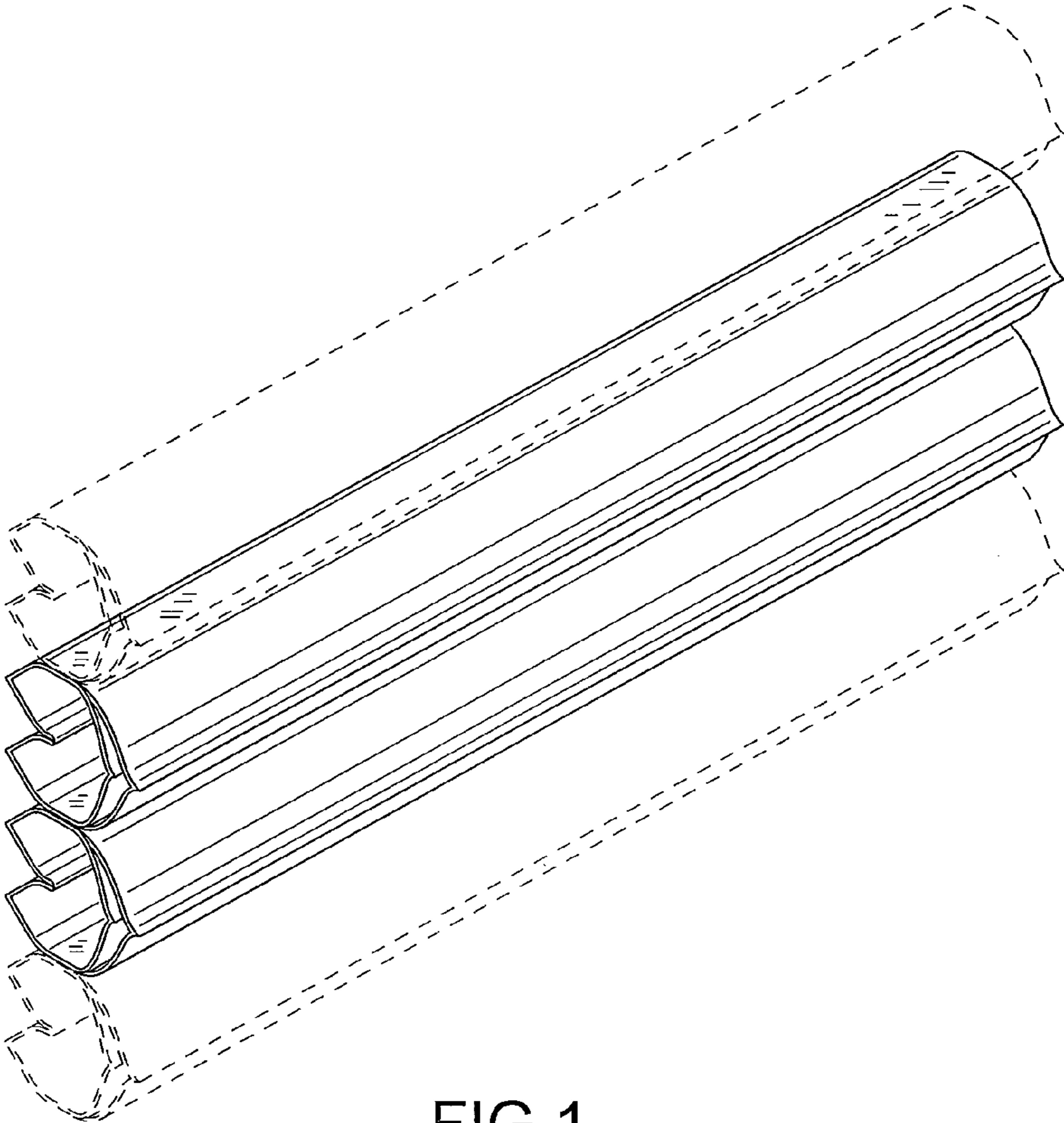


FIG. 1

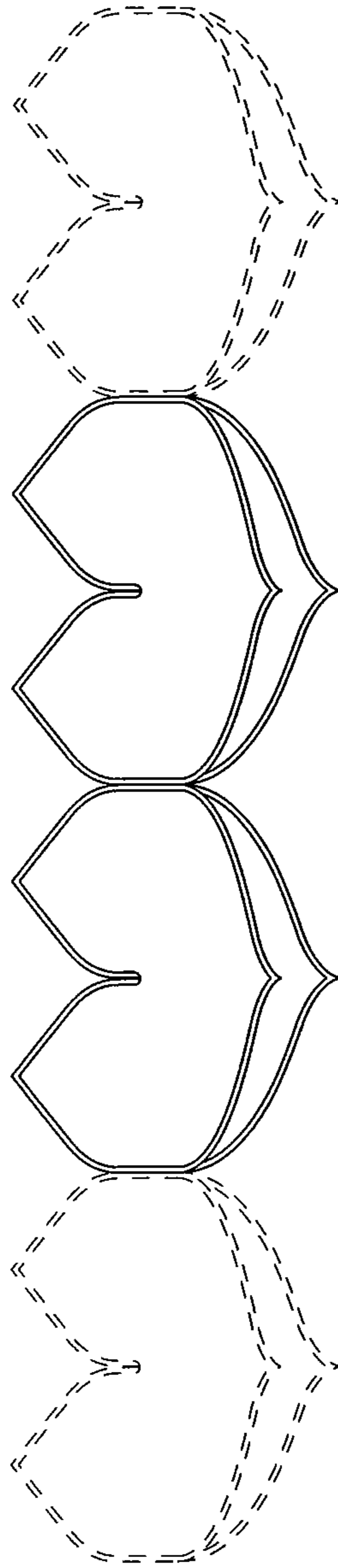


FIG.2

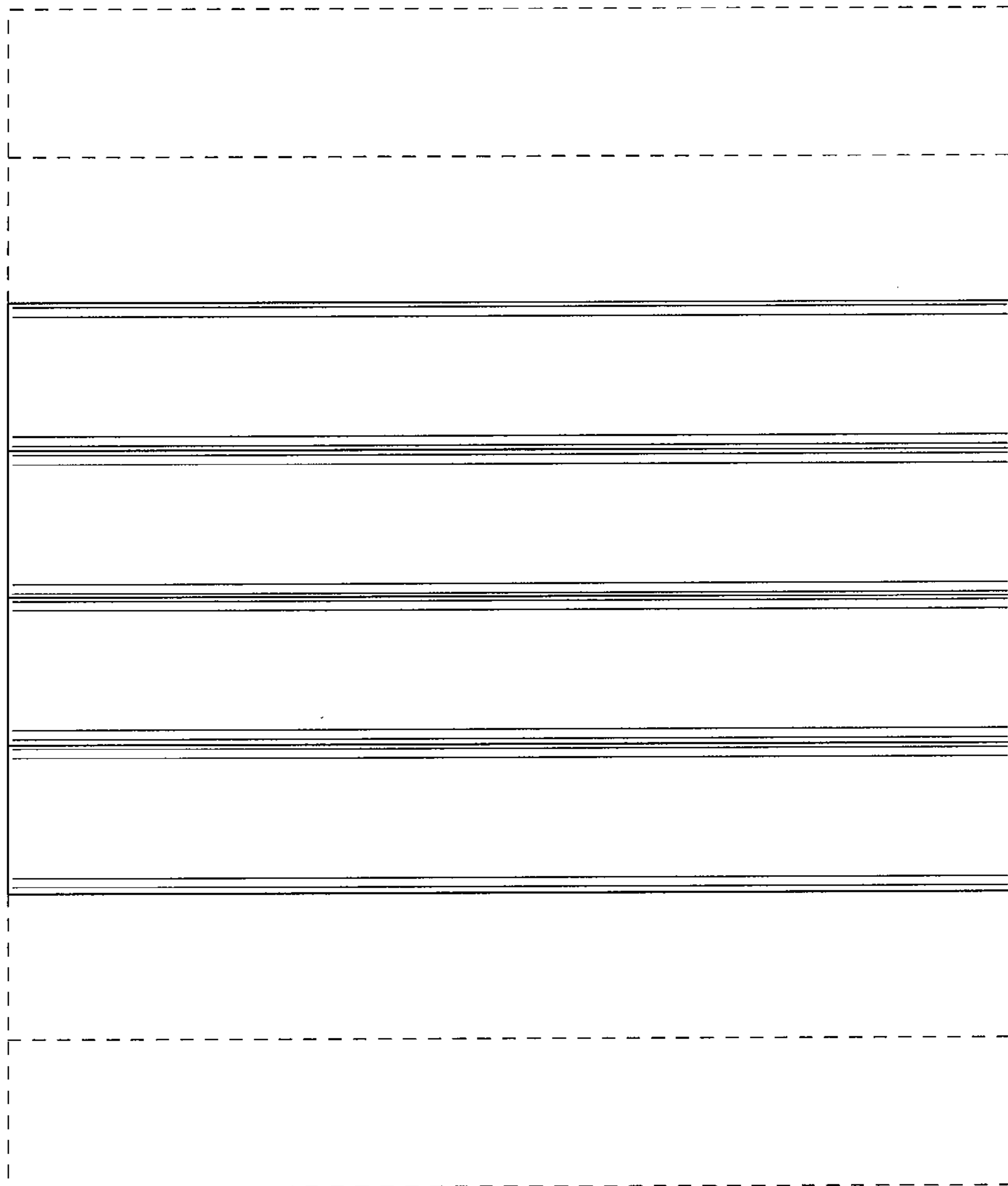


FIG.3

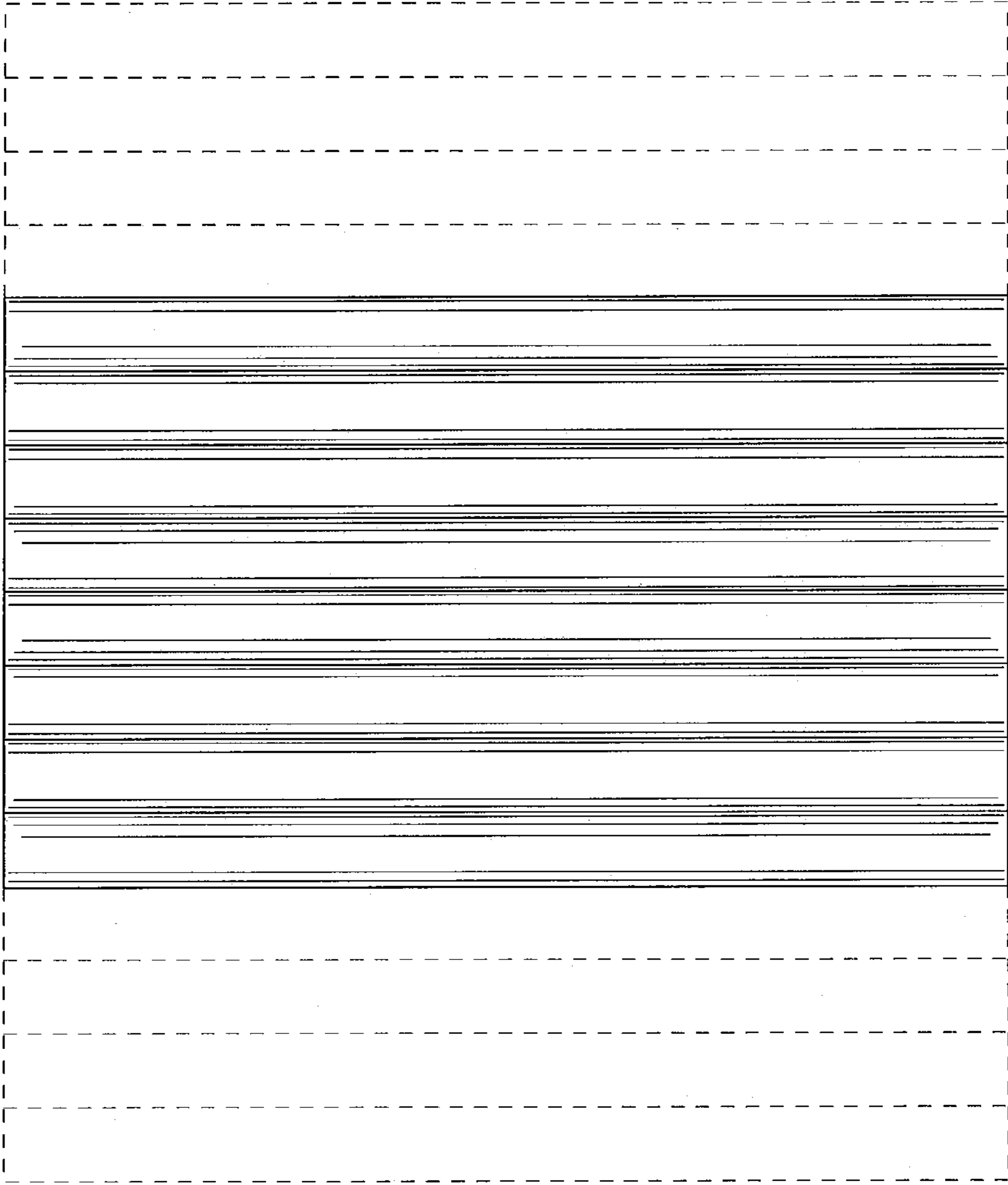


FIG.4

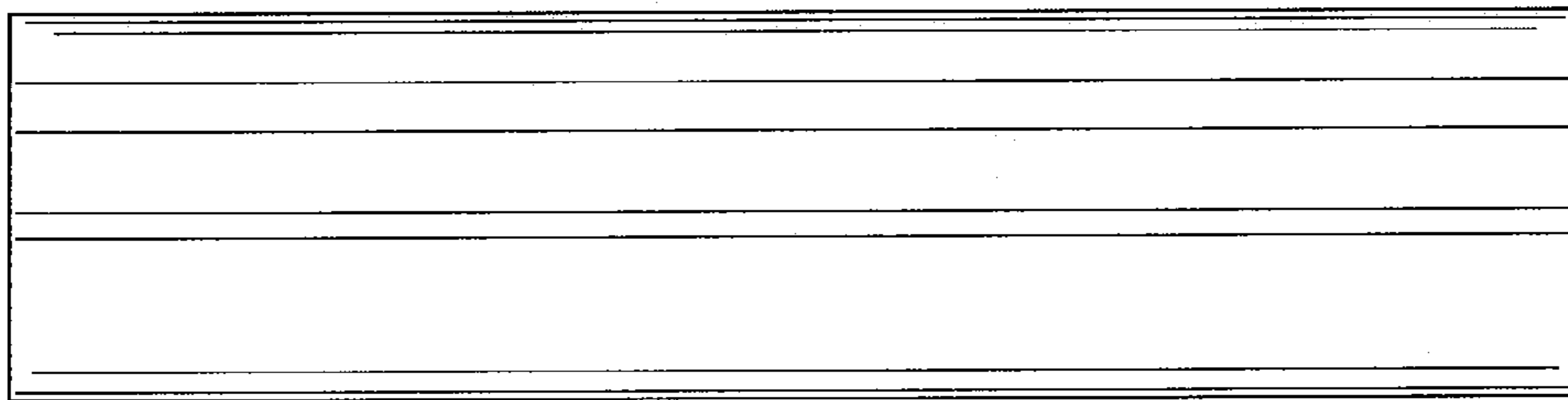


FIG. 5

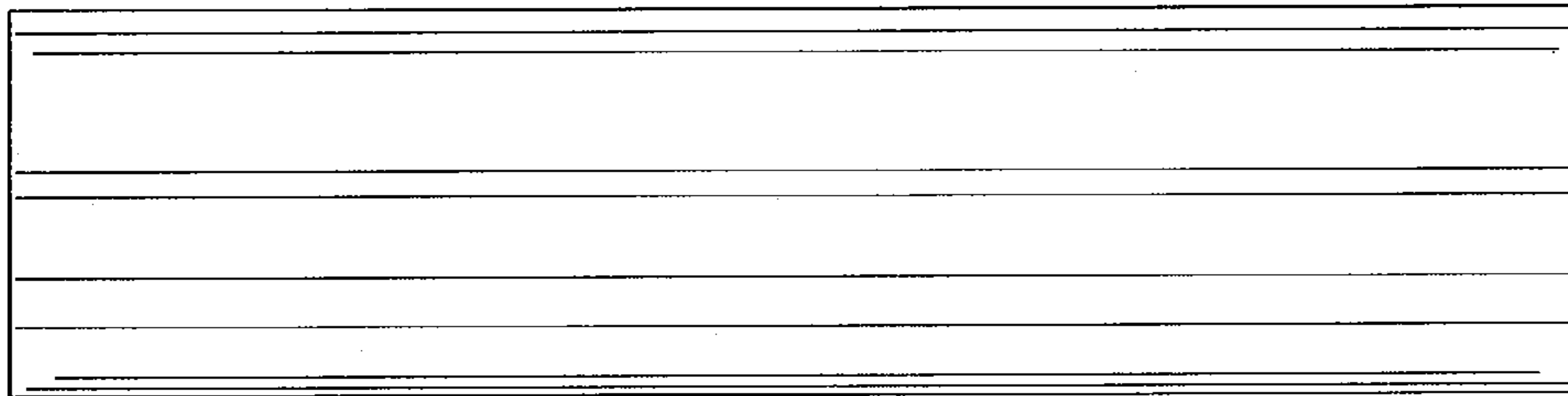


FIG. 6