



US00D685208S

(12) **United States Design Patent**
Kumazawa

(10) **Patent No.:** **US D685,208 S**
(45) **Date of Patent:** **** Jul. 2, 2013**

(54) **CHAIR**
(71) Applicant: **Aichi Co., Ltd.**, Nagoya (JP)
(72) Inventor: **Taku Kumazawa**, Nagoya (JP)
(73) Assignee: **Aichi Co., Ltd.**, Nagoya (JP)
(**) Term: **14 Years**
(21) Appl. No.: **29/435,623**
(22) Filed: **Oct. 25, 2012**

D456,164 S * 4/2002 Vanderiet et al. D6/374
D464,208 S * 10/2002 Kwon D6/373
D469,972 S * 2/2003 Vanderminden, Sr. D6/375
D513,902 S * 1/2006 Piretti D6/380
D518,304 S * 4/2006 Crescenti D6/373
D536,884 S * 2/2007 Meda D6/334
D564,264 S * 3/2008 Smith et al. D6/500
D566,412 S * 4/2008 de Brabandere, legal
representative, et al. D6/375
D592,876 S * 5/2009 Smith et al. D6/380
D600,035 S * 9/2009 Olano Jauregui D6/375
D600,052 S * 9/2009 Smith et al. D6/502
D618,004 S * 6/2010 DeSanta et al. D6/366

(Continued)

(30) **Foreign Application Priority Data**
May 2, 2012 (JP) 2012-010332
(51) **LOC (9) Cl.** **06-01**
(52) **U.S. Cl.**
USPC **D6/501**
(58) **Field of Classification Search**
USPC D6/334-336, 344-353, 360-381,
D6/388, 403, 491-502, 692, 708, 716,
716.2-716.4; 297/16.1, 22, 31, 35, 217.1,
297/228.12, 239, 256.16, 271.6, 284.4-284.5,
297/291, 297, 302.4, 411.2, 411.27-411.29,
297/411.43, 423.1, 423.12, 440.11, 440.15,
297/440.21, 440.24, 448.1, 451.4, 452.13,
297/452.19, 452.21, 452.27, 452.29, 452.3,
297/452.41, 452.56, 452.64
See application file for complete search history.

FOREIGN PATENT DOCUMENTS

JP D1376732 S 12/2009
JP D1376734 S 12/2009
JP D1376736 S 12/2009
JP D1376737 S 12/2009

Primary Examiner — Ricky Pham
(74) *Attorney, Agent, or Firm* — Vincent K. Gustafson;
Jenkins, Wilson, Taylor & Hunt, P.A.

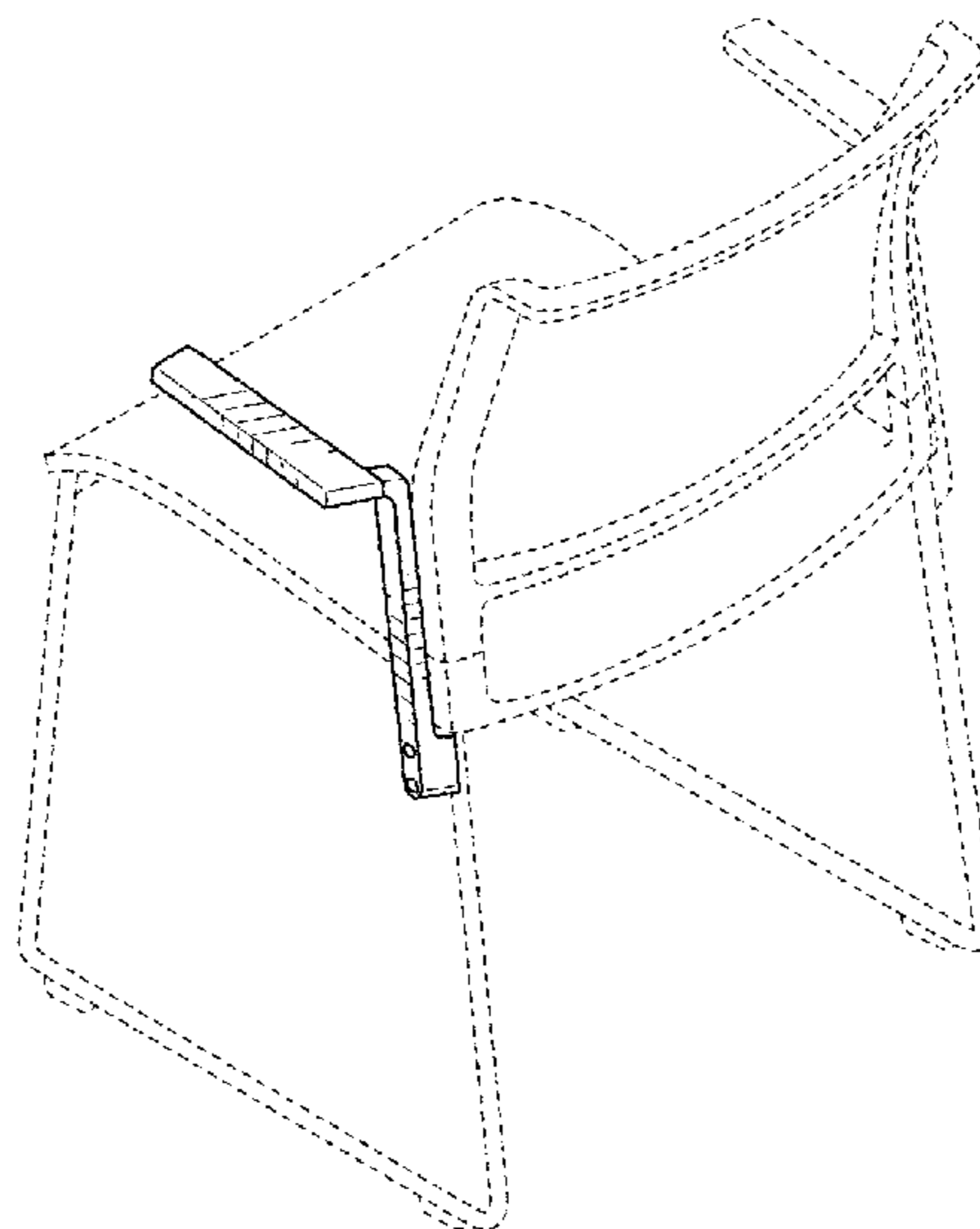
(57) **CLAIM**
The ornamental design for a chair, as shown and described.

DESCRIPTION

FIG. 1 is a perspective view of a chair showing my design;
FIG. 2 is a front elevation view of the chair;
FIG. 3 is a right side elevation view of the chair;
FIG. 4 is a left side elevation view of the chair;
FIG. 5 is a rear elevation view of the chair;
FIG. 6 is a top plan view of the chair; and,
FIG. 7 is a bottom plan view of the chair.
The broken lines showing is included for the purpose of
illustrating environment of the design and forms no part of the
claimed design.

1 Claim, 4 Drawing Sheets

(56) **References Cited**
U.S. PATENT DOCUMENTS
D180,660 S * 7/1957 Johnson D6/373
D396,760 S * 8/1998 Leib D6/373
D422,424 S * 4/2000 Gehry et al. D6/375
D433,578 S * 11/2000 Saul D6/373
D449,938 S * 11/2001 Vanderiet et al. D6/380



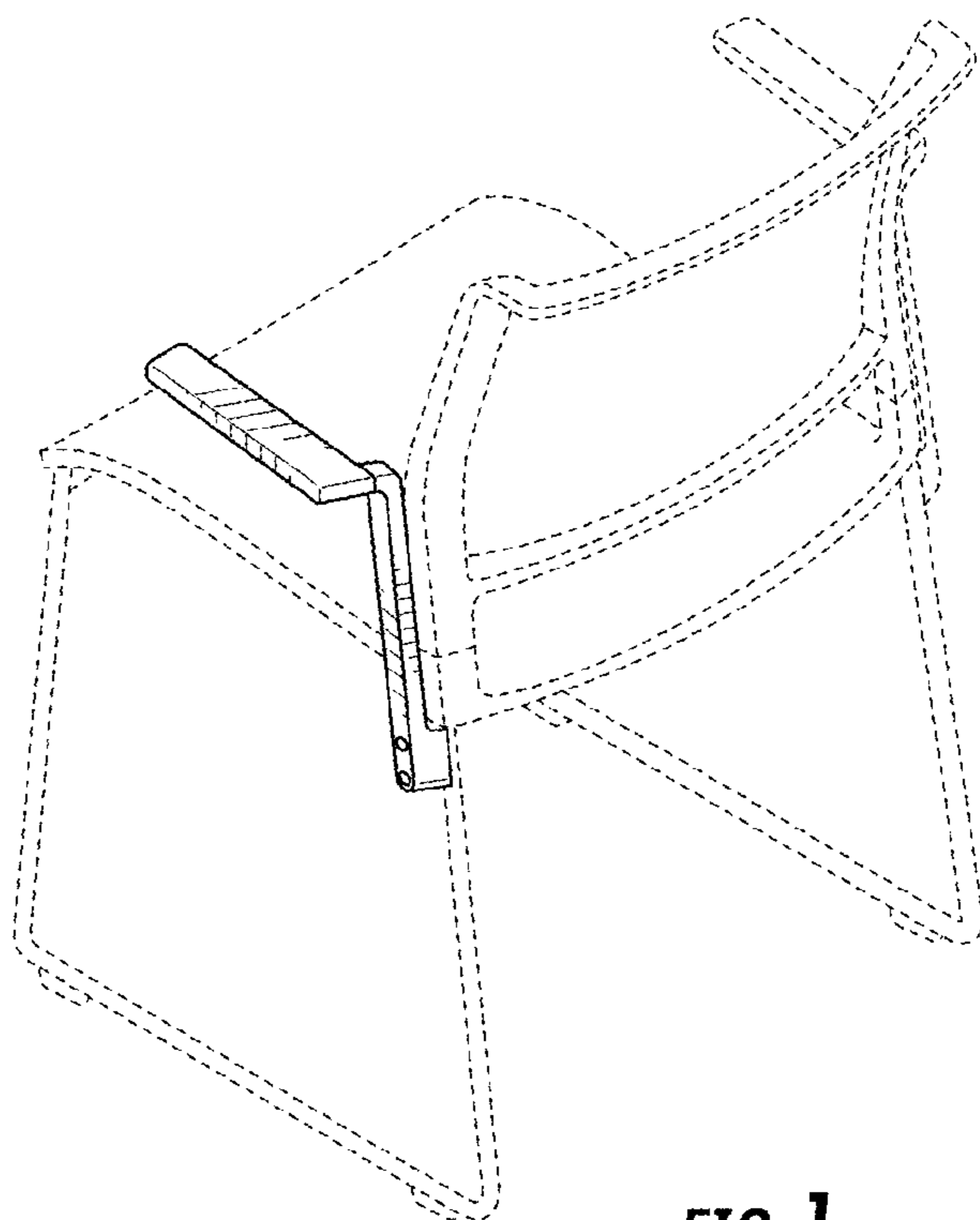


FIG. 1

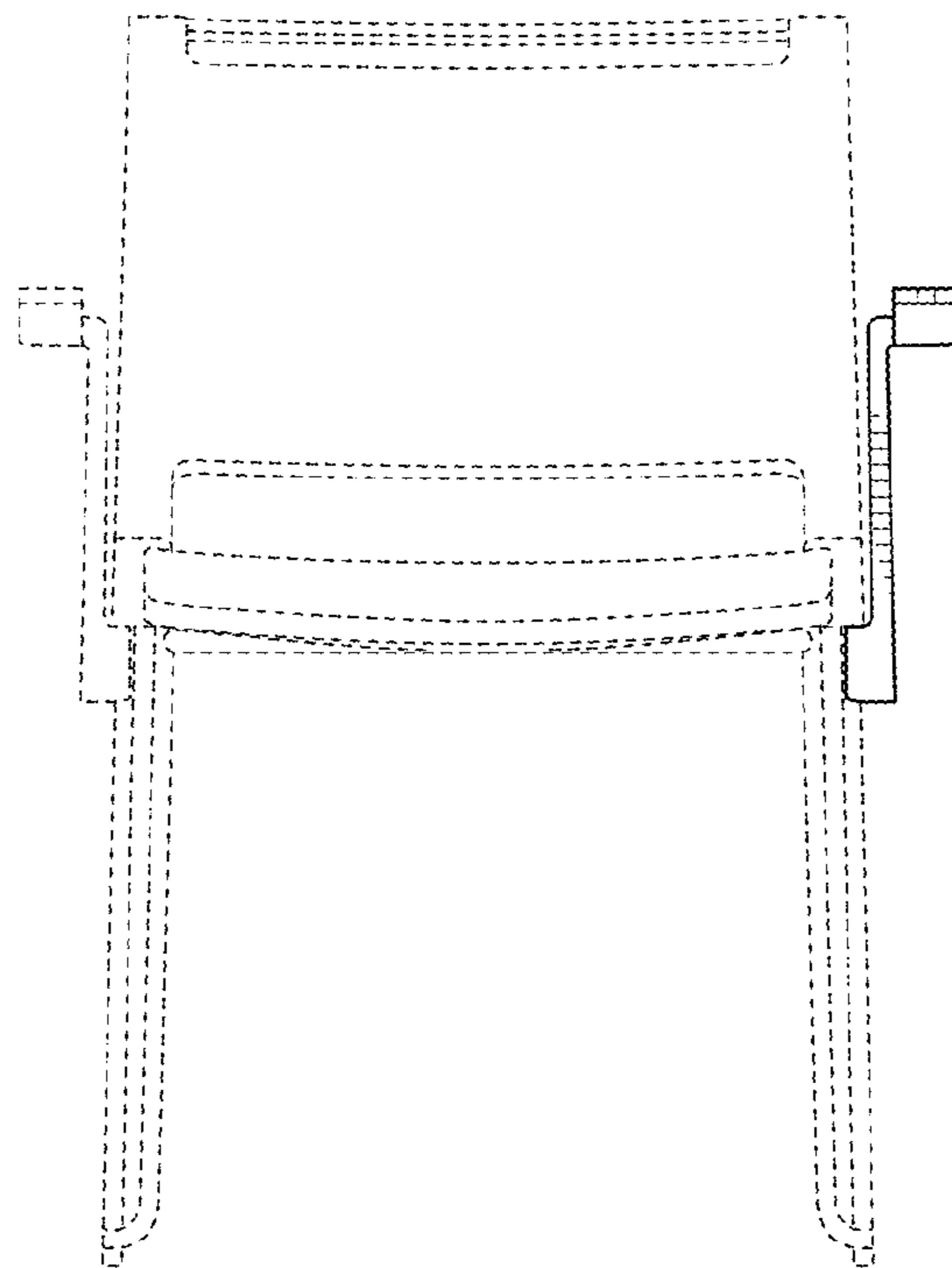


FIG. 2

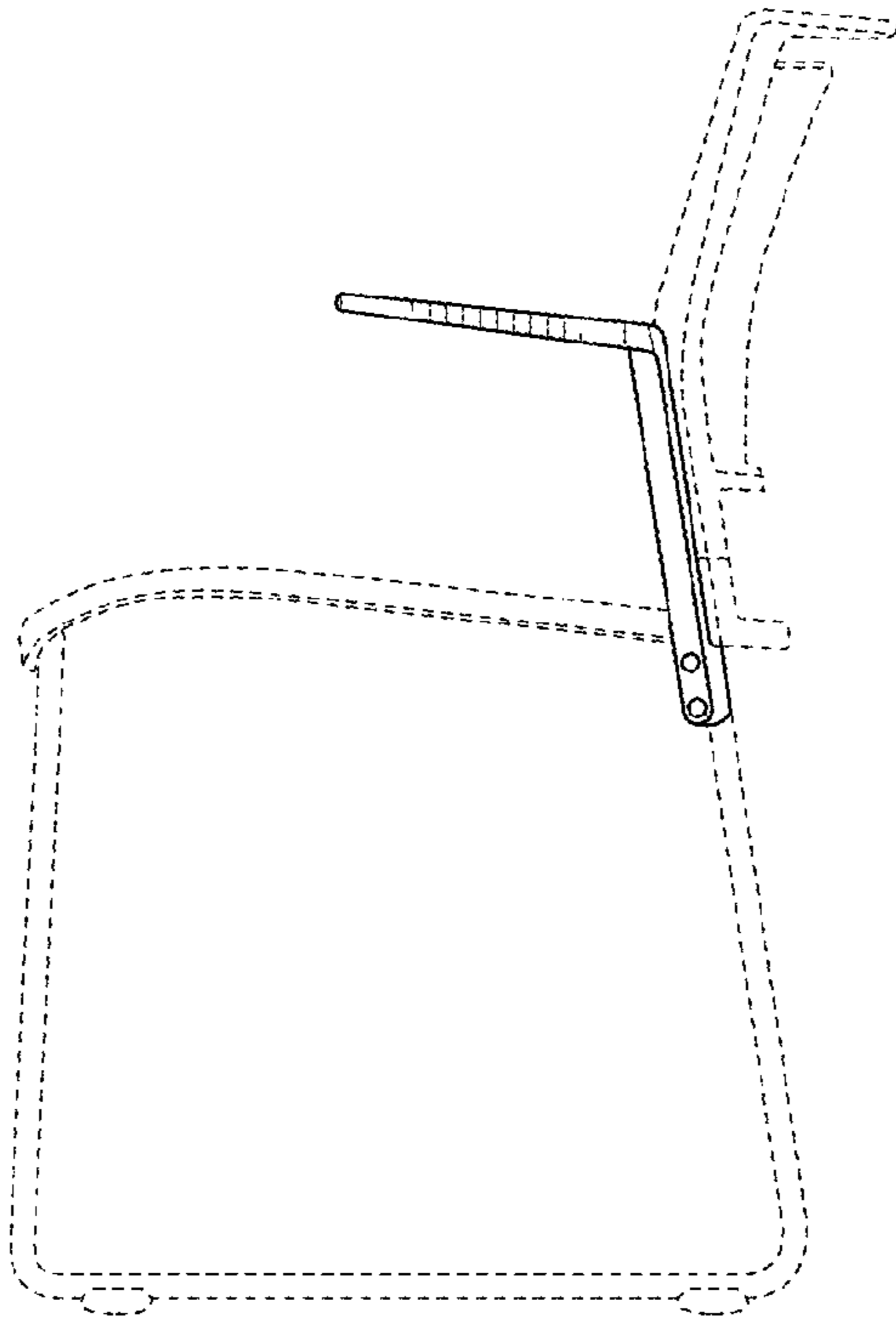


FIG. 3

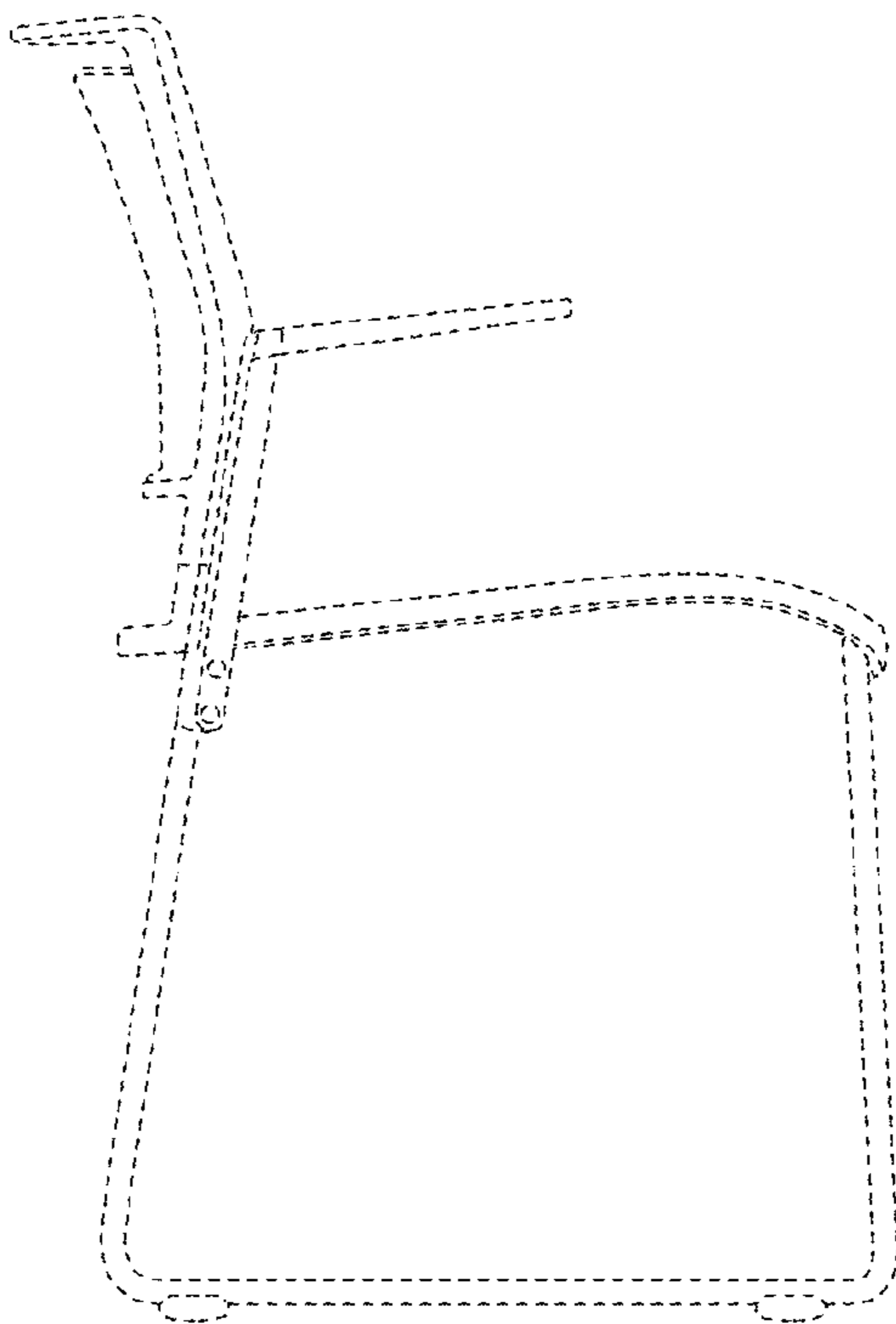


FIG. 4

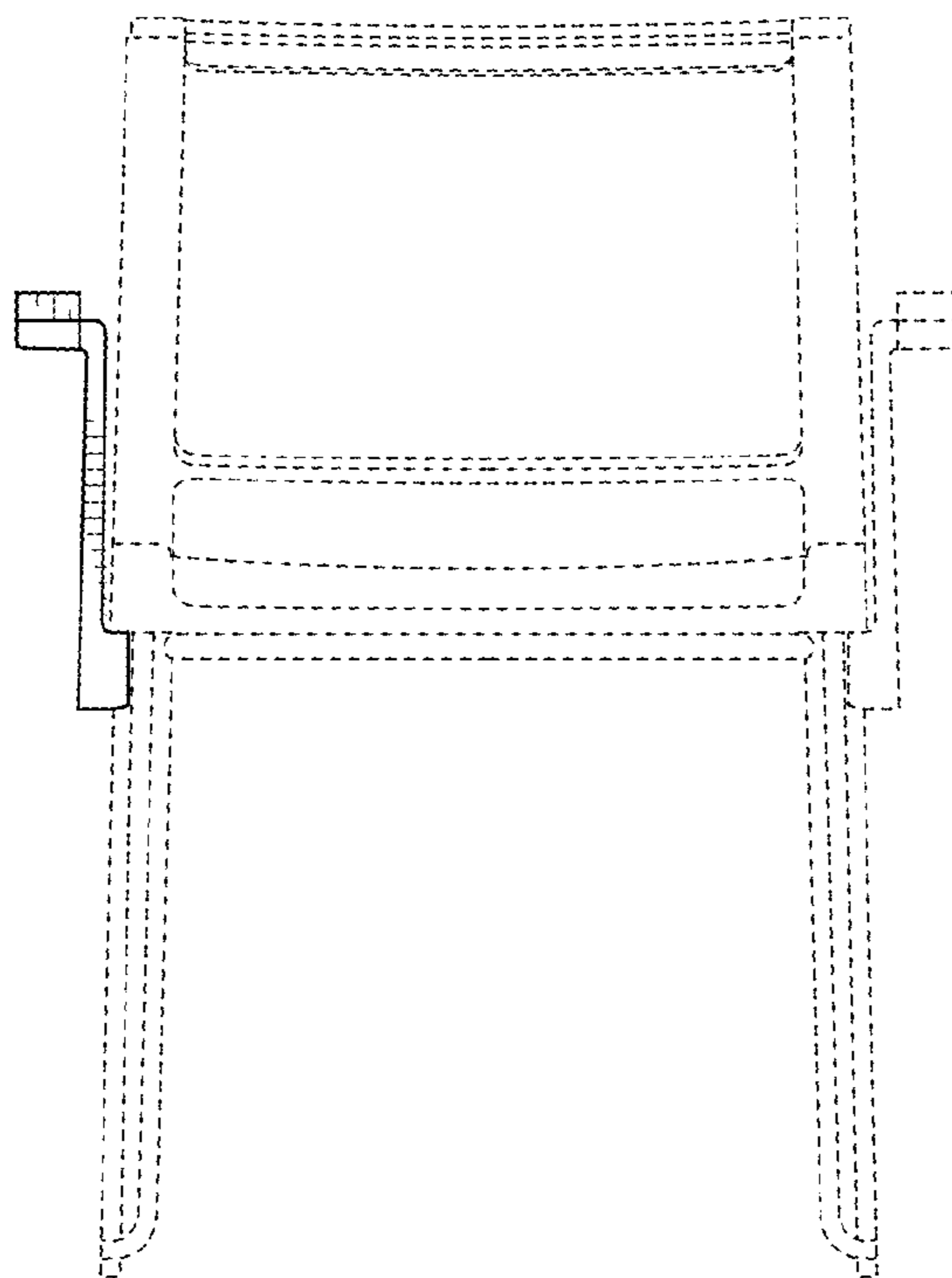


FIG. 5

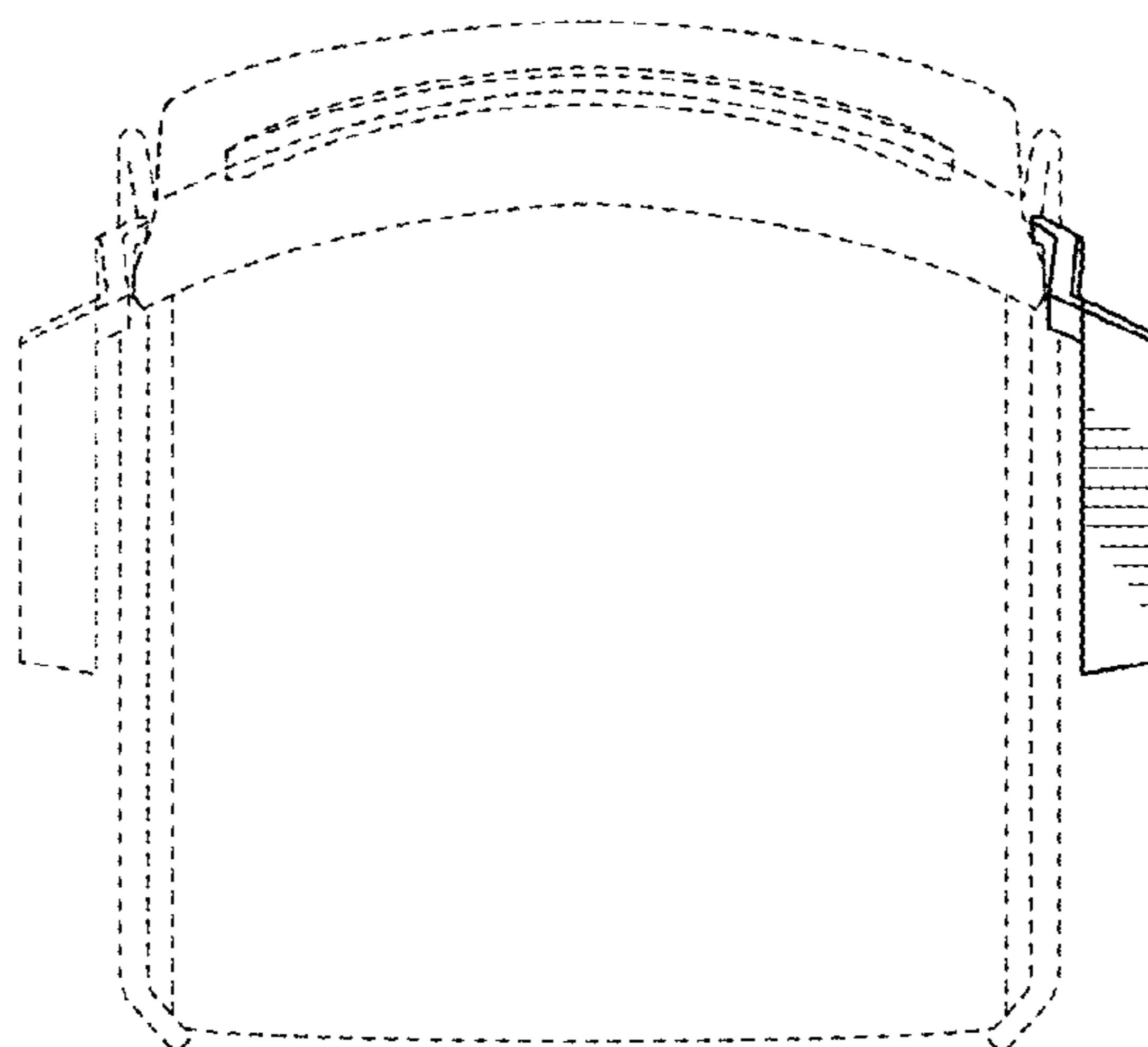


FIG. 6

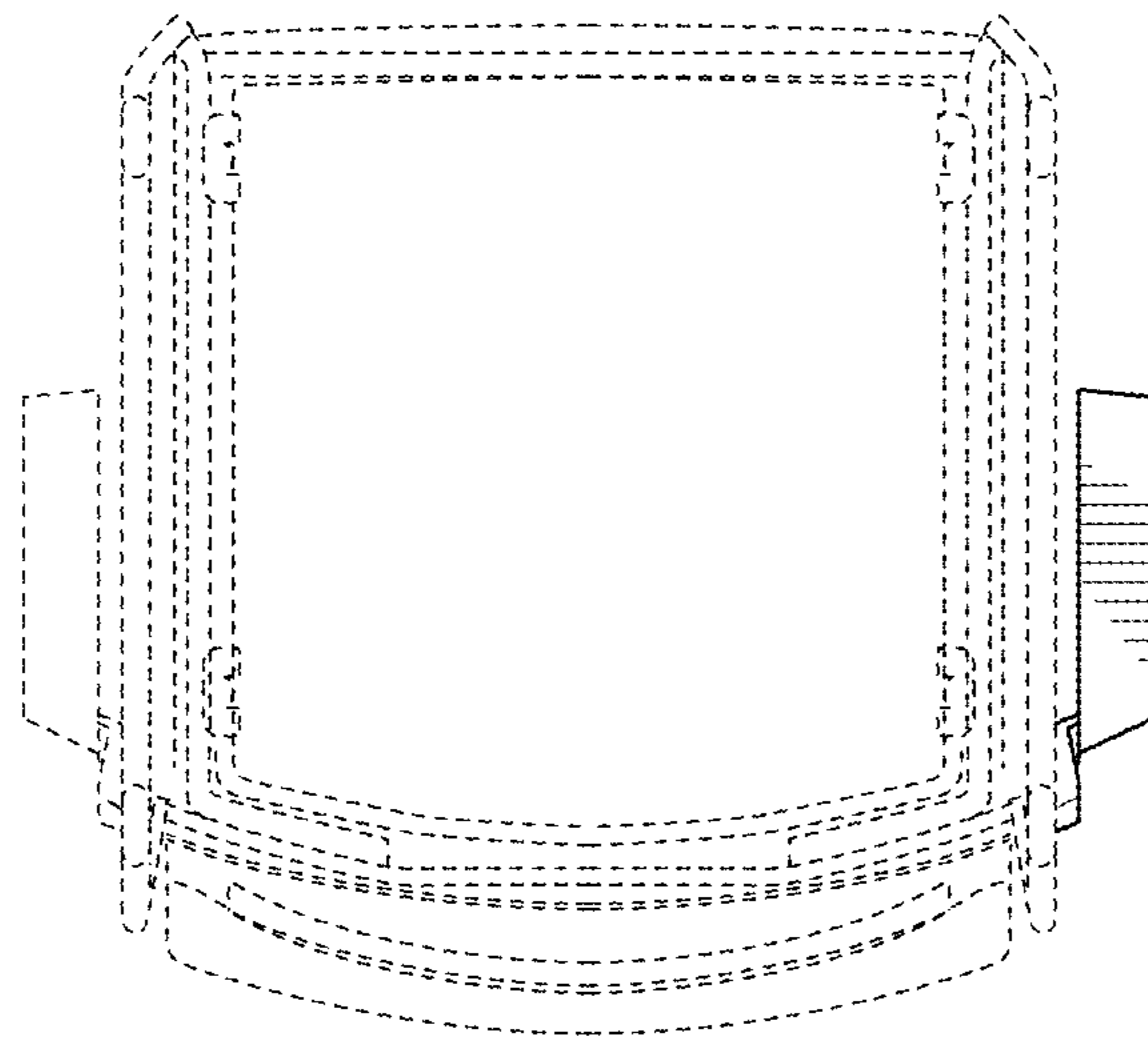


FIG. 7