



US00D685207S

(12) **United States Design Patent**
Gibbs

(10) **Patent No.:** **US D685,207 S**

(45) **Date of Patent:** **** Jul. 2, 2013**

(54) **TABLE**

(76) Inventor: **Julie Gibbs**, Woodland Hills, CA (US)

(*) Notice: This patent is subject to a terminal disclaimer.

(**) Term: **14 Years**

(21) Appl. No.: **29/417,527**

(22) Filed: **Apr. 4, 2012**

(51) **LOC (9) Cl.** **06-03**

(52) **U.S. Cl.**

USPC **D6/486**

(58) **Field of Classification Search**

USPC D6/480-489, 495, 496, 499, 511,
D6/668.2, 691.4, 707.19, 707.22, 708.16,
D6/708.17, 708.2, 708.23; 108/150, 153.1,
108/155, 157, 161, 25, 50.12; 248/188, 188.1,
248/188.7, 188.8; D21/397, 485

See application file for complete search history.

(56) **References Cited**

U.S. PATENT DOCUMENTS

2,683,639 A * 7/1954 Brenny 108/132
D317,539 S * 6/1991 Goldsmith D6/495
D338,359 S * 8/1993 Sorenson D6/486

D399,680 S * 10/1998 Mak D6/480
D469,990 S * 2/2003 Muller D6/486
2007/0056482 A1 * 3/2007 Robinson et al. 108/25

* cited by examiner

Primary Examiner — Janice Seeger

(74) *Attorney, Agent, or Firm* — Marc E. Hankin; Kevin Schraven; Hankin Patent Law, APC

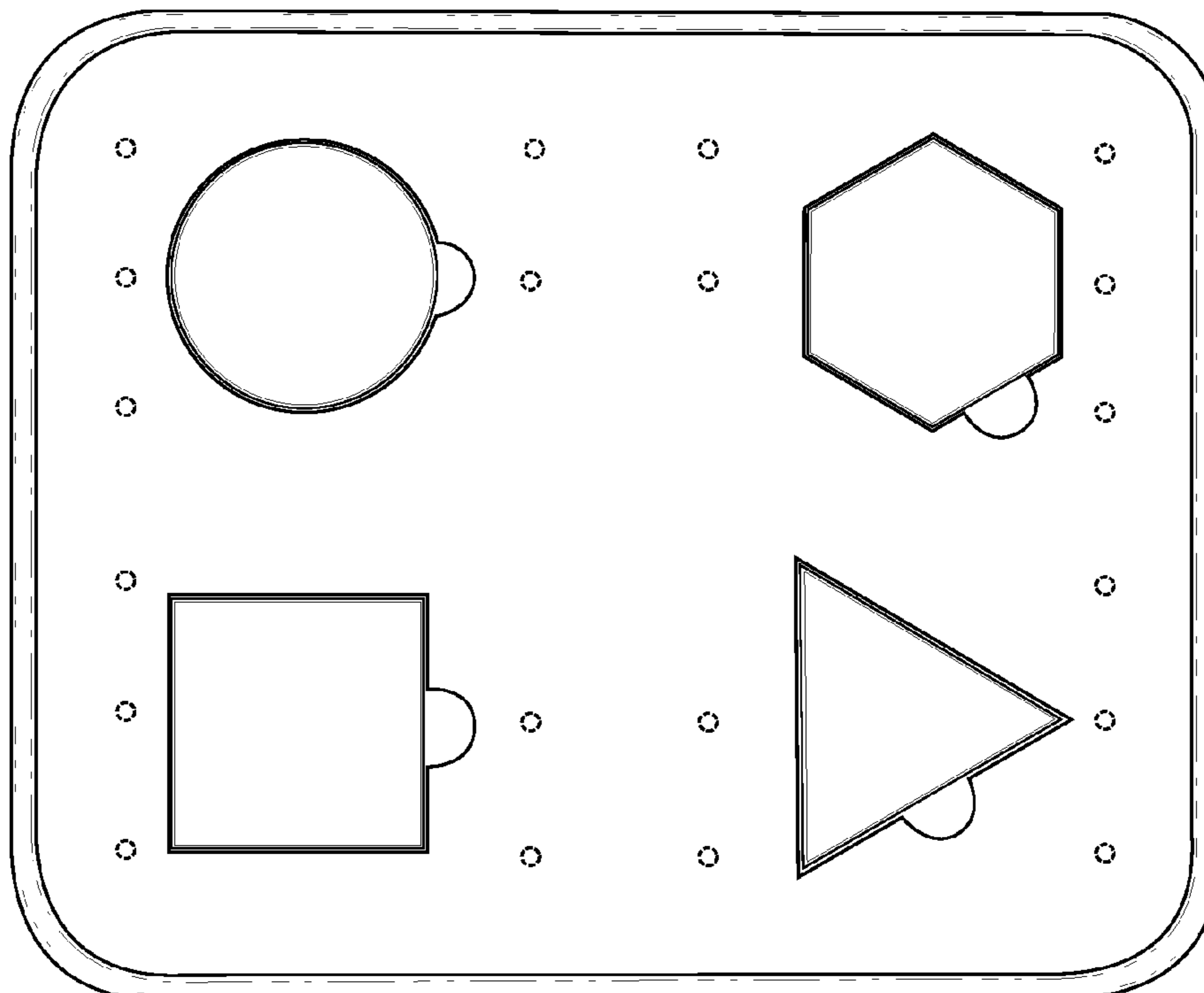
(57) **CLAIM**

The ornamental design for a table, as shown and described.

DESCRIPTION

FIG. 1 is a top plan view of a table, showing my new design;
FIG. 2 is a perspective view thereof;
FIG. 3 is a perspective view showing the table in exploded condition;
FIG. 4 is a rear elevational view thereof;
FIG. 5 is a left side perspective view thereof;
FIG. 6 is a front elevational view thereof;
FIG. 7 is a right side perspective view thereof;
FIG. 8 is a bottom perspective view thereof; and,
FIG. 9 is a second bottom perspective view thereof.
The broken lines showing the drainage holes are for the purpose of illustrating environmental structure and form no part of the claimed design.

1 Claim, 9 Drawing Sheets



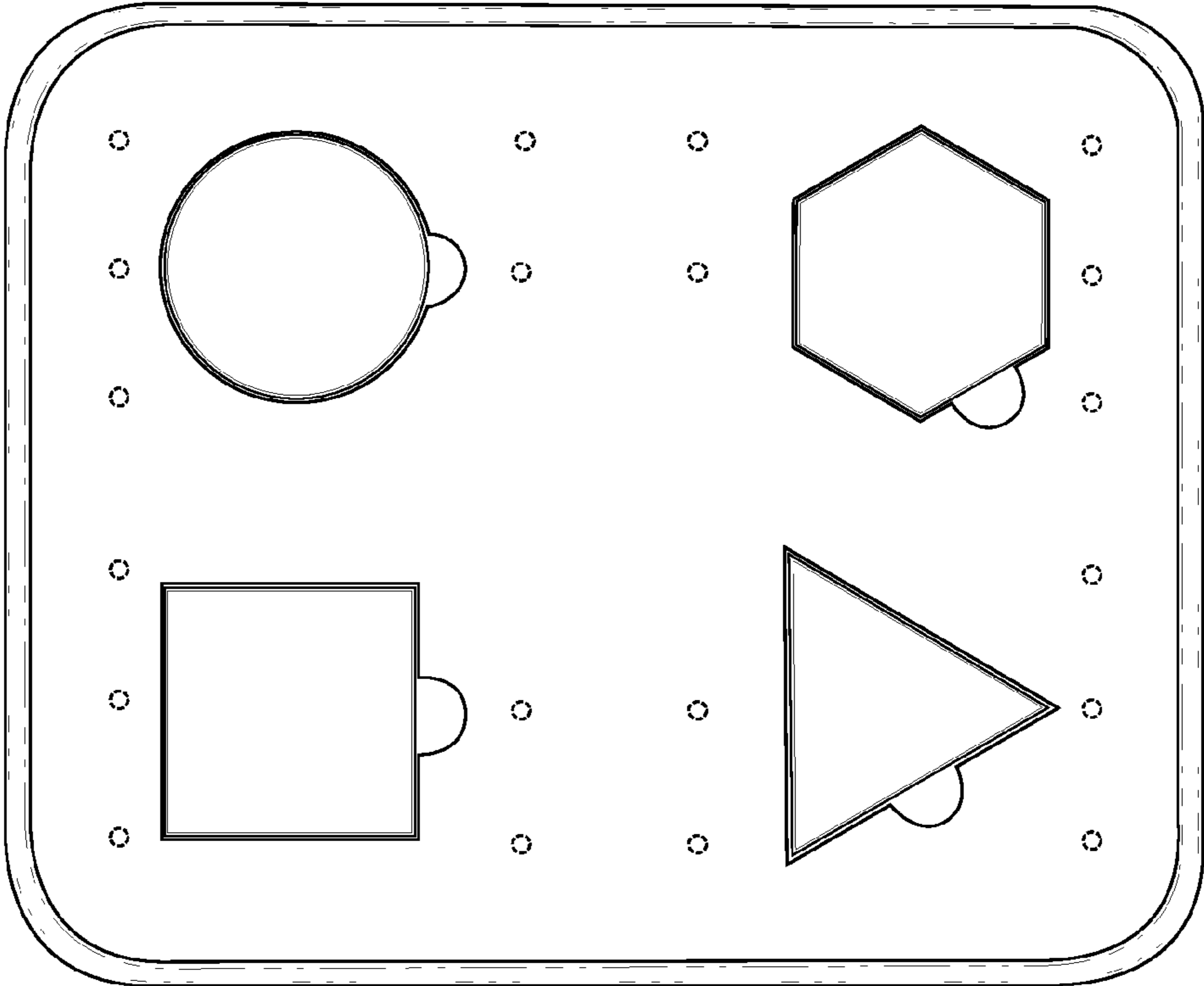


FIG. 1

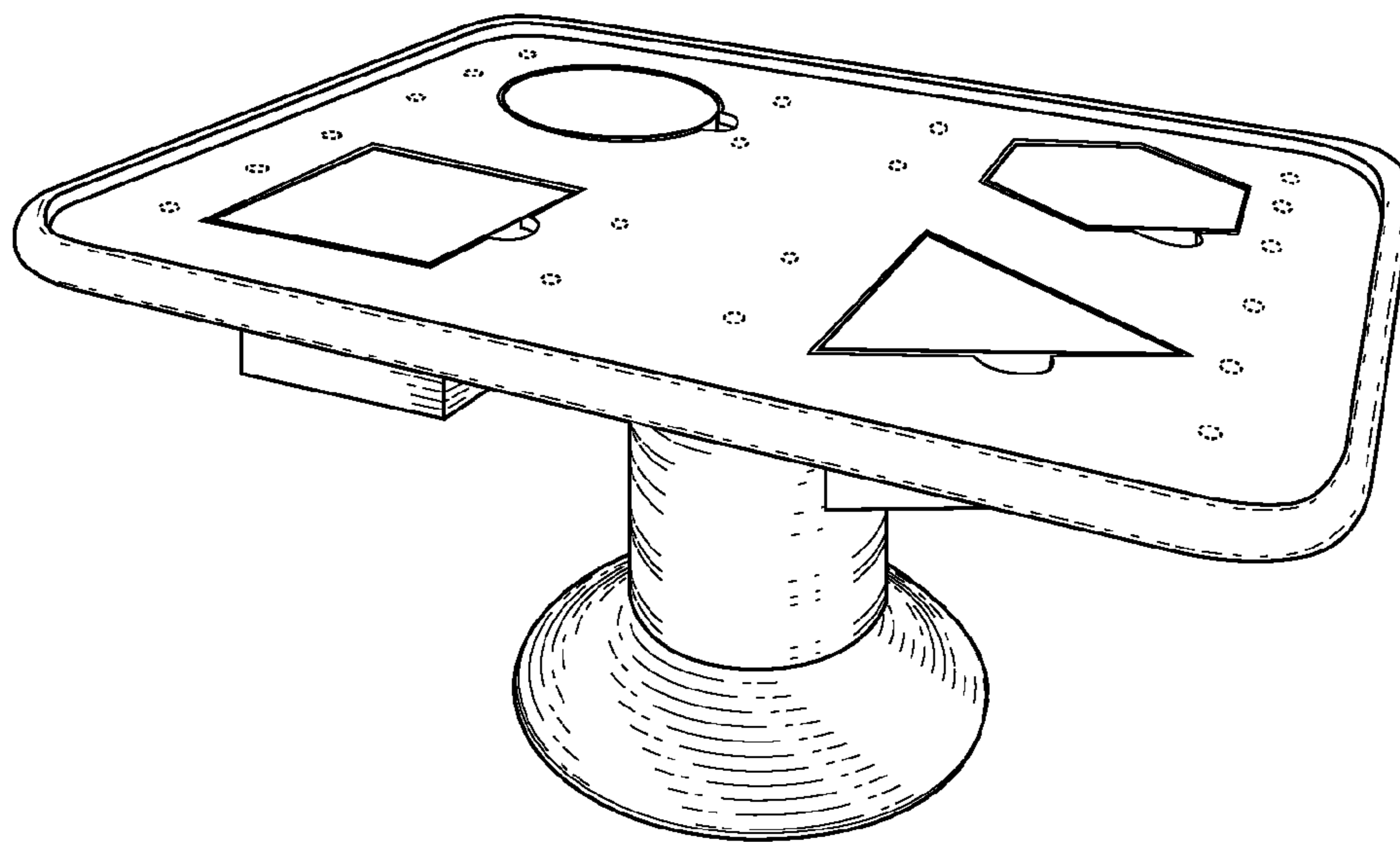


FIG. 2

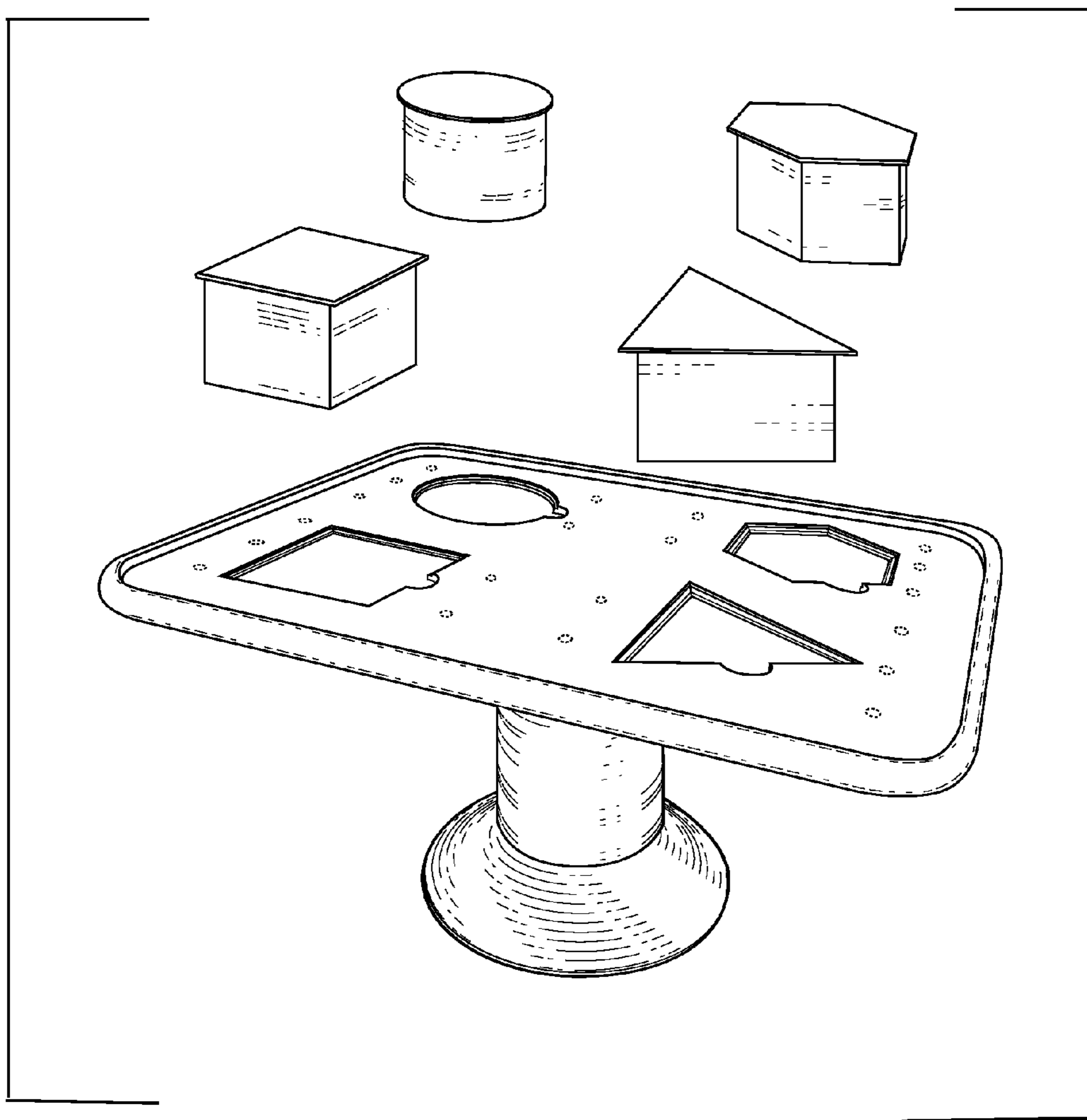


FIG. 3

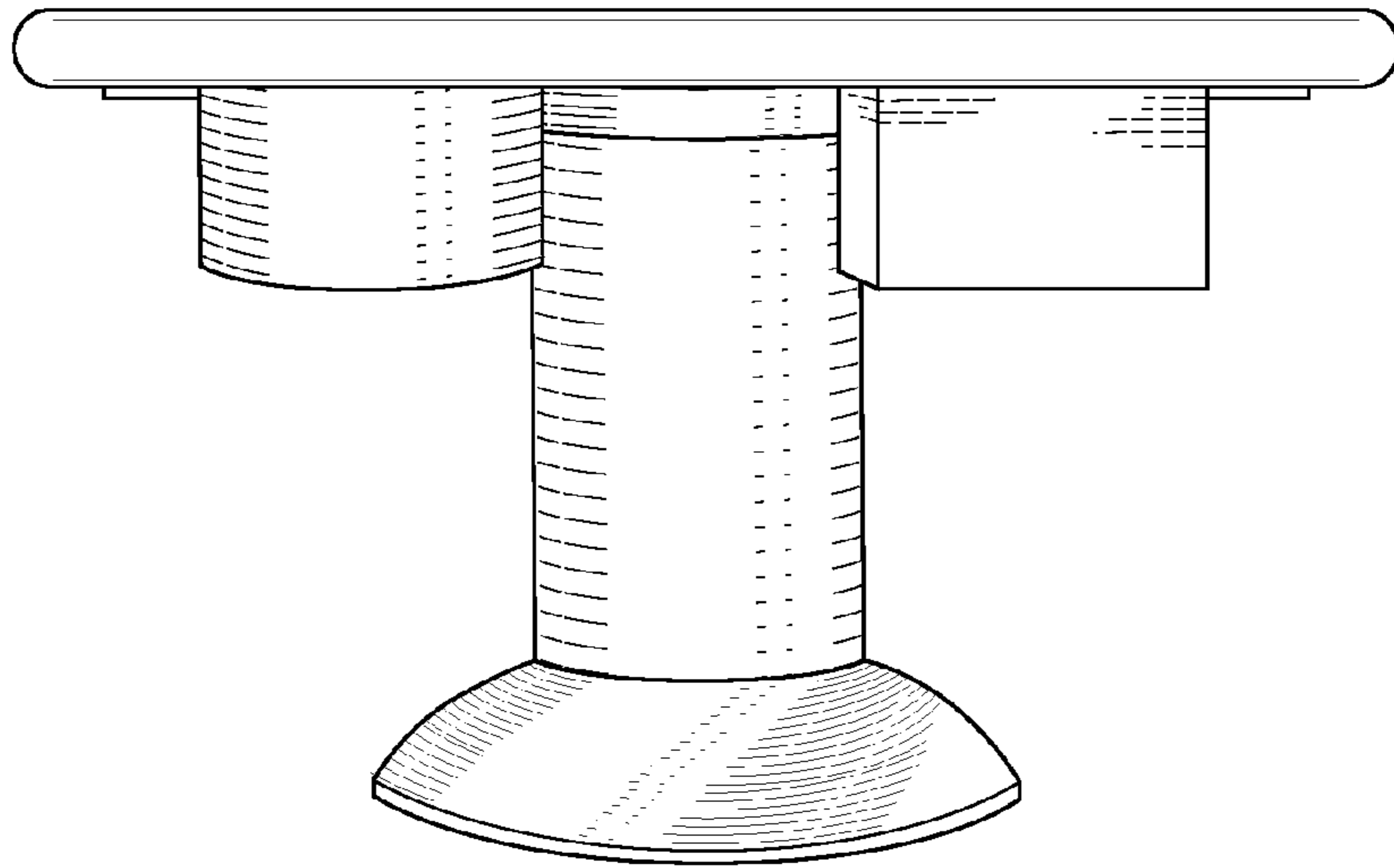


FIG. 4

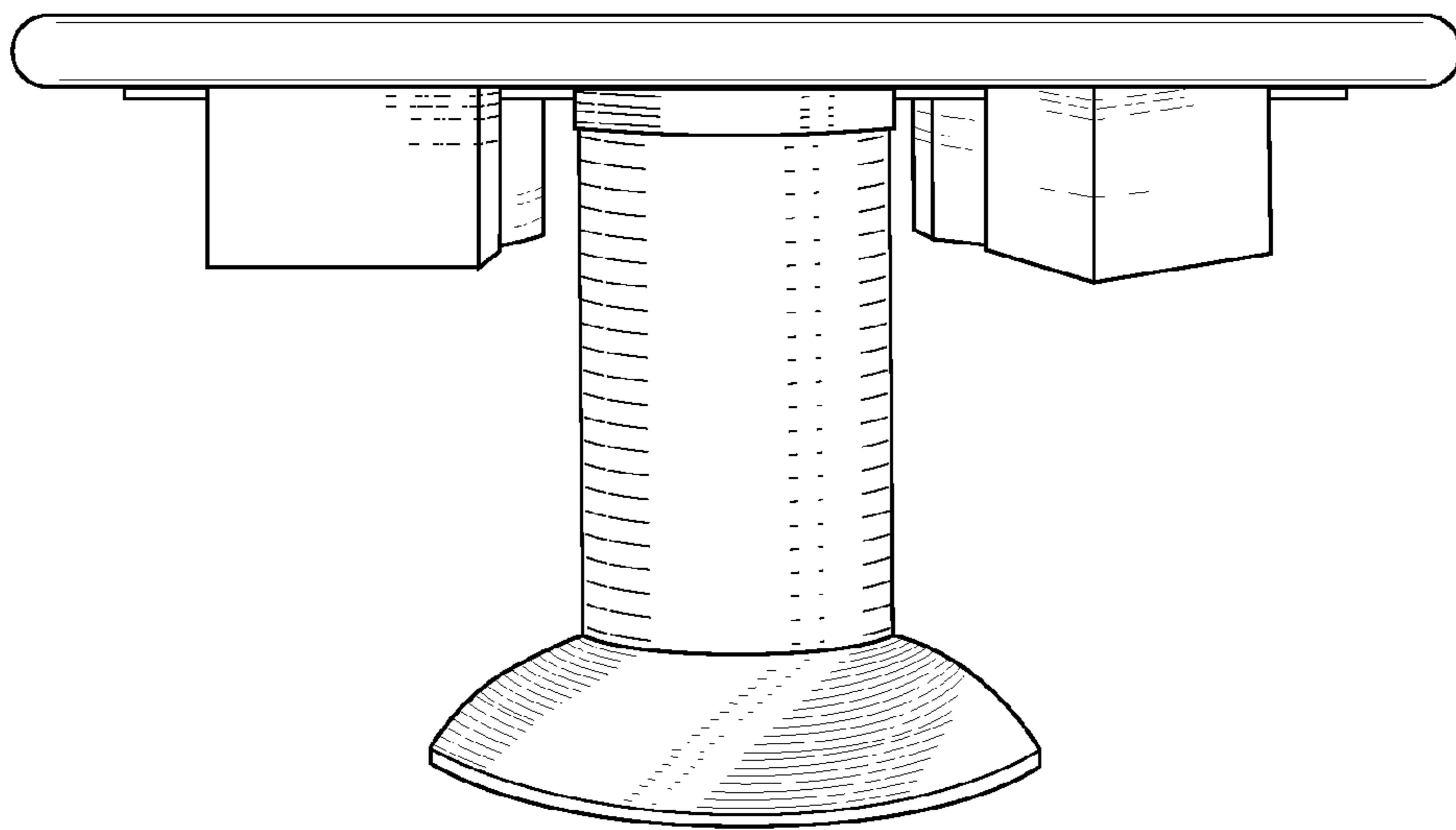


FIG. 5

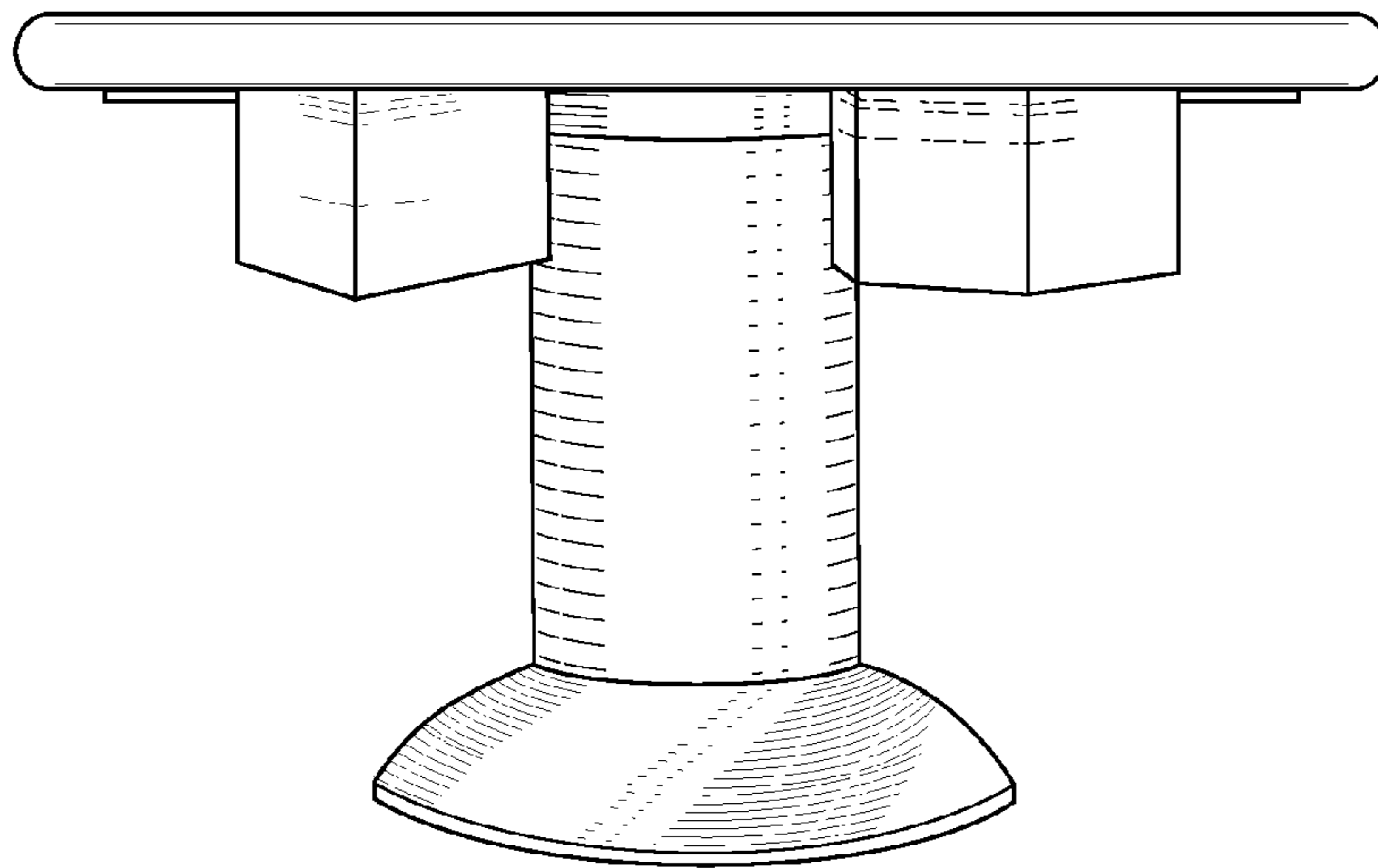


FIG. 6

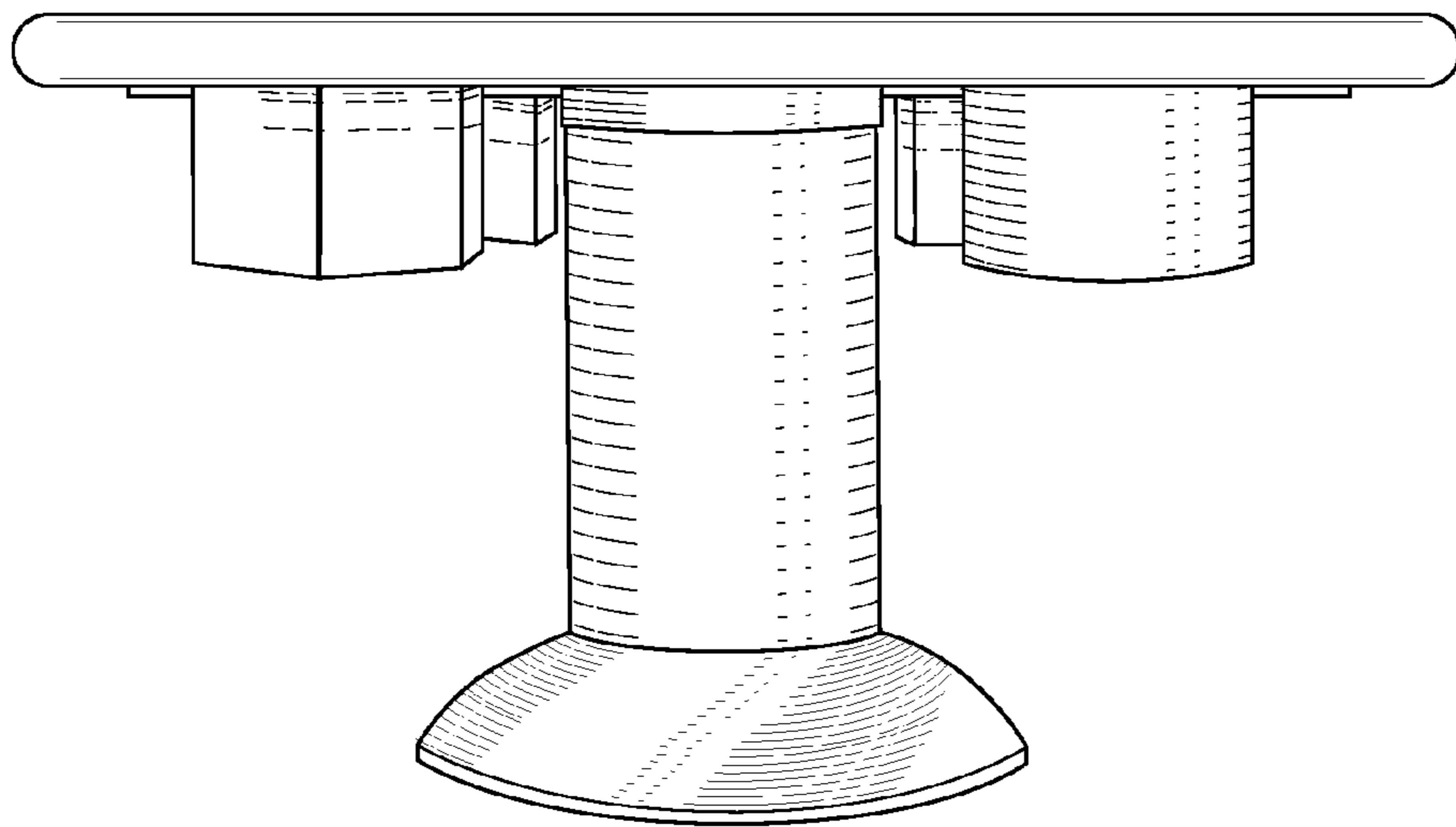


FIG. 7

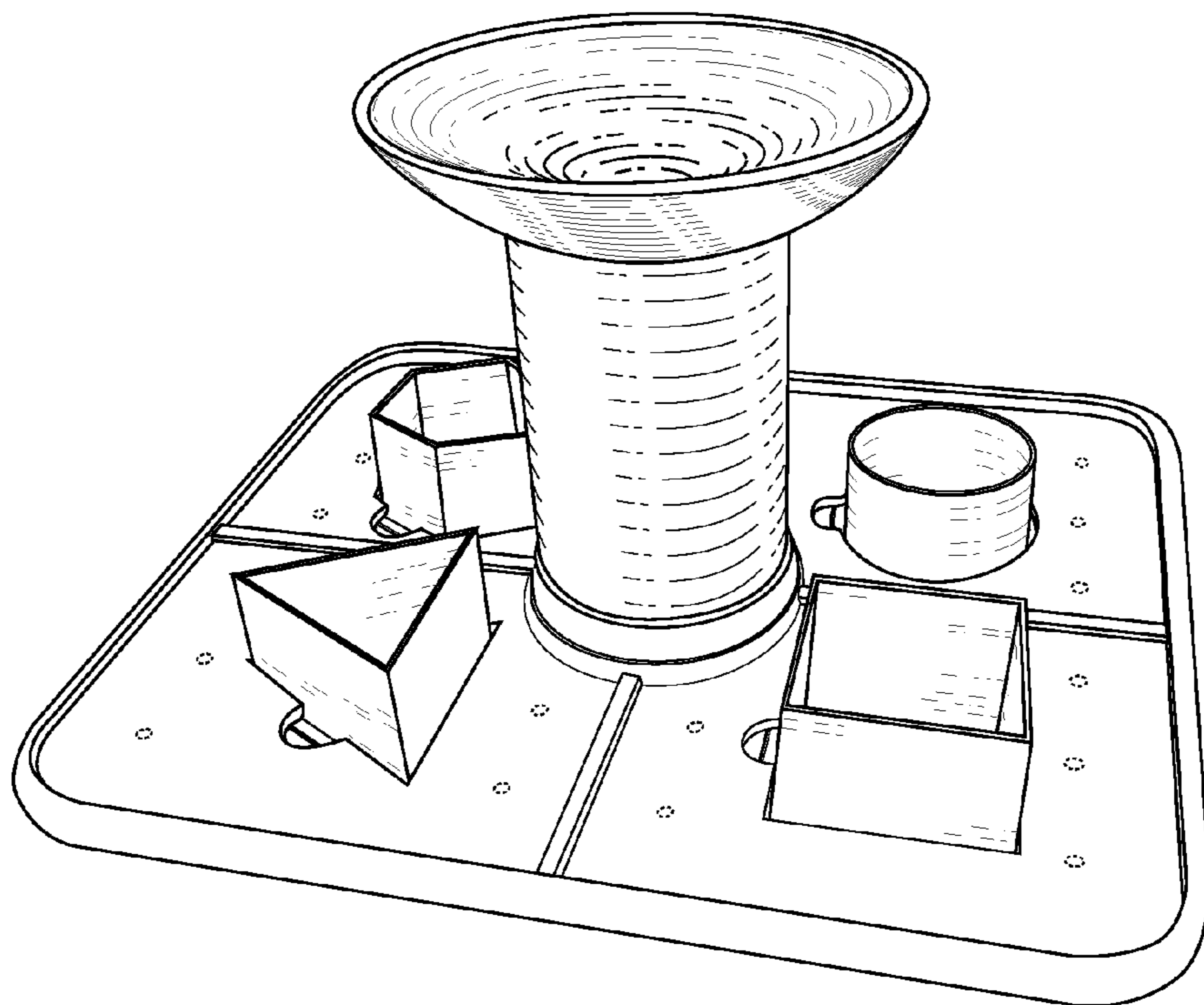


FIG. 8

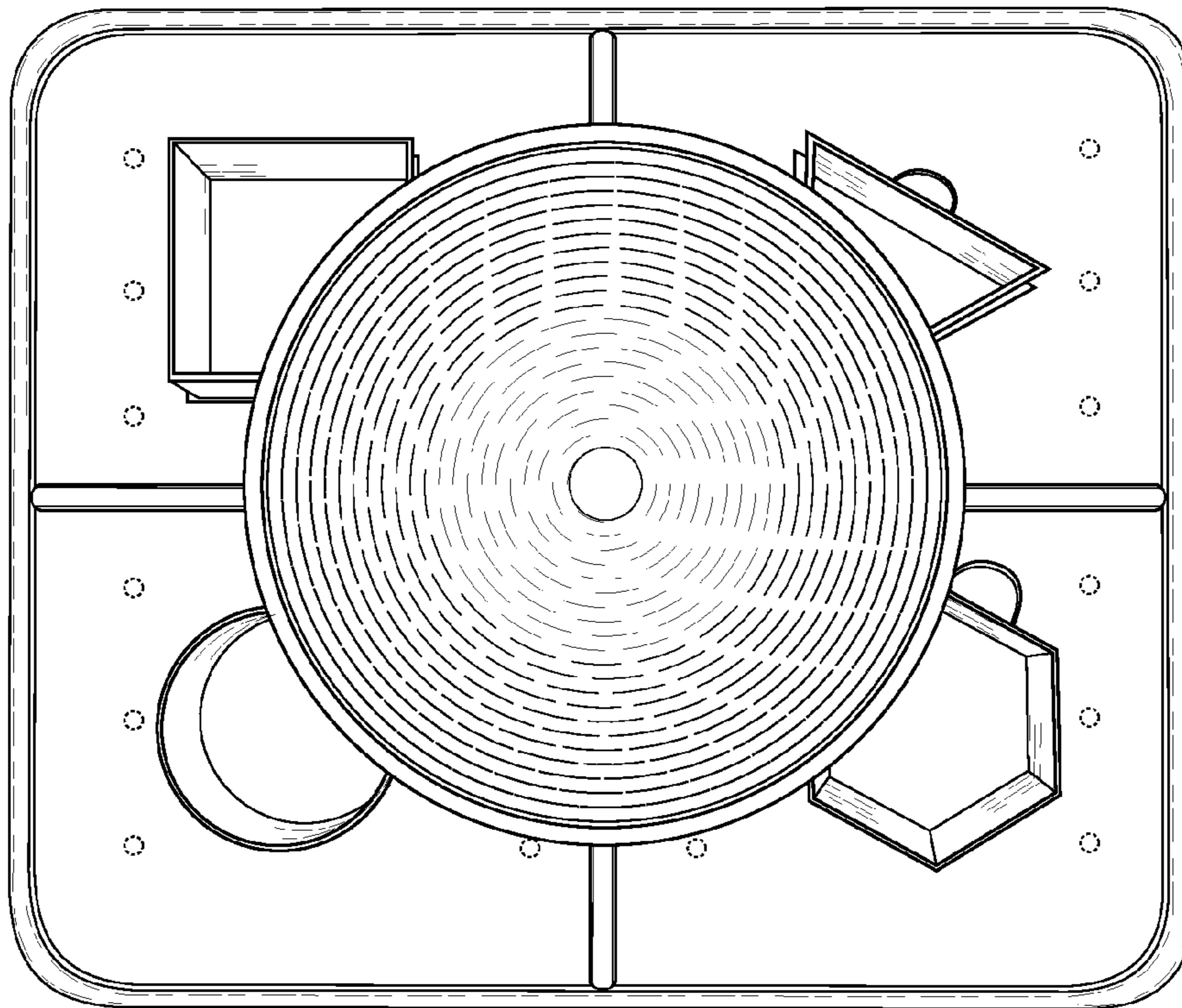


FIG. 9