



US00D685201S

(12) **United States Design Patent**
Fentress et al.

(10) **Patent No.:** **US D685,201 S**

(45) **Date of Patent:** **** Jul. 2, 2013**

(54) **CHAIR**

(75) Inventors: **Curtis W. Fentress**, Denver, CO (US);
Michael McCoy, Buena Vista, CO (US);
Paul A. Goode, Brampton (CA); **James D. Benzie**, Brampton (CA)

(73) Assignee: **Arconas Corporation**, Mississauga (CA)

(**) Term: **14 Years**

(21) Appl. No.: **29/410,735**

(22) Filed: **Jan. 11, 2012**

(51) **LOC (9) Cl.** **06-01**

(52) **U.S. Cl.**
USPC **D6/374**

(58) **Field of Classification Search**
USPC D6/334-336, 344-356, 360-381,
D6/388, 403, 495-502, 601; 52/9; 244/118.5;
297/16.1, 16.2, 22, 31, 35, 42-46, 56, 217.3,
297/239, 248, 256.16, 257, 284.4-284.5,
297/291, 297, 300.1, 302.4, 332, 411.2,
411.27-411.29, 411.43, 440.13, 440.15, 440.24,
297/445.1, 451.1, 452.13, 452.19, 452.21,
297/452.27, 452.29, 452.3, 452.41, 452.56,
297/452.64

See application file for complete search history.

(56) **References Cited**

U.S. PATENT DOCUMENTS

D198,498 S * 6/1964 Malitte D6/356
D250,071 S * 10/1978 Dickerson D6/356
D253,859 S * 1/1980 Hosoe D6/372
4,294,048 A * 10/1981 Sutter 52/9
D336,379 S * 6/1993 Veneruso D6/356
5,671,975 A * 9/1997 Muller 297/445.1
5,678,889 A * 10/1997 Purcell, Jr. 297/257
D412,622 S * 8/1999 DeJule D6/371

D428,276 S * 7/2000 Mitjans D6/381
D440,422 S * 4/2001 DeJule D6/371
D441,972 S * 5/2001 Mitjans D6/368
D445,269 S * 7/2001 Mitjans D6/368
6,523,900 B1 * 2/2003 Conner et al. 297/332
D483,194 S * 12/2003 Plant et al. D6/368

(Continued)

Primary Examiner — Ricky Pham

(74) *Attorney, Agent, or Firm* — Marshall & Melhorn, LLC

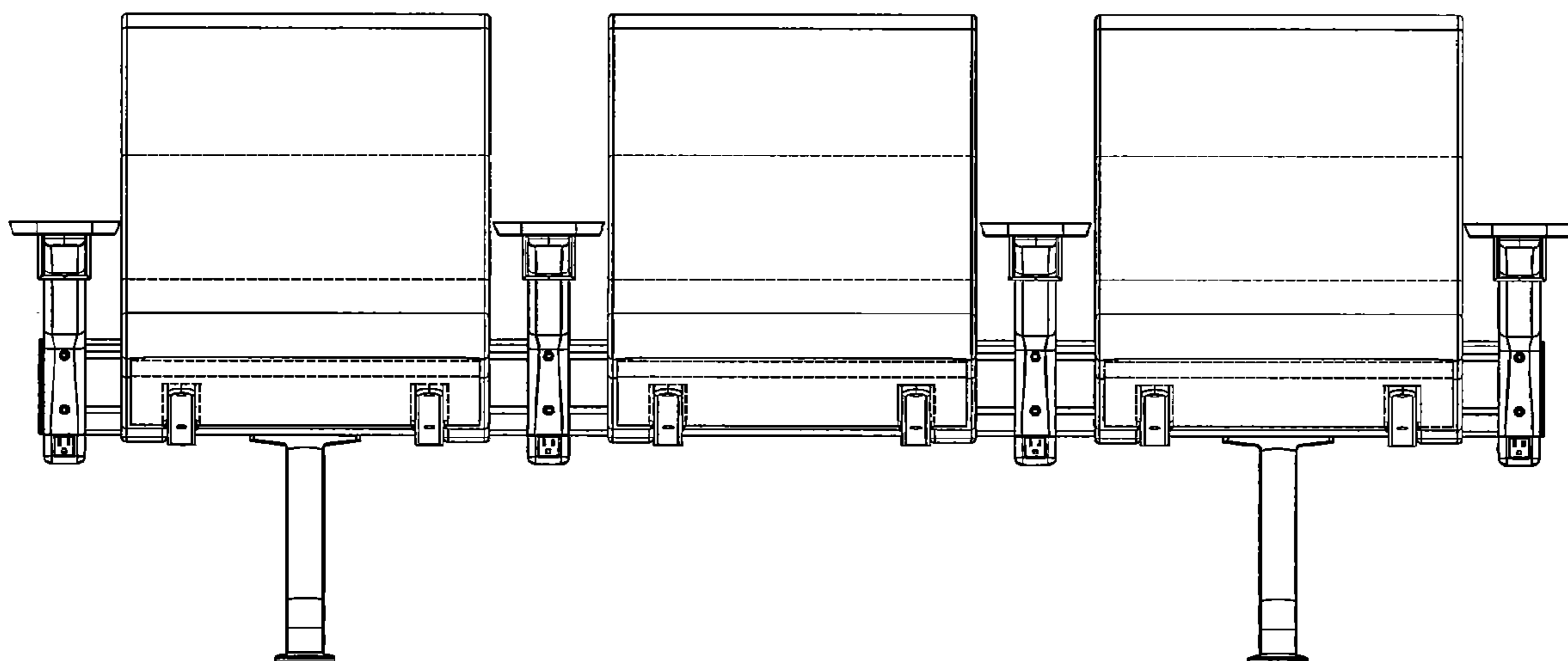
(57) **CLAIM**

We claim the ornamental design of a chair, as shown and described.

DESCRIPTION

FIG. 1 is a front view showing a first variant of the chair;
FIG. 2 is a back view thereof;
FIG. 3 is a top view thereof;
FIG. 4 is a right side view thereof;
FIG. 5 is a left side view thereof;
FIG. 6 is a bottom view thereof;
FIG. 7 is a perspective view thereof;
FIG. 8 is a front view showing a second variant of the chair;
FIG. 9 is a perspective view thereof;
FIG. 10 is a front view showing a third variant of the chair;
FIG. 11 is a back view thereof;
FIG. 12 is a top view thereof;
FIG. 13 is a right side view thereof;
FIG. 14 is a left side view thereof;
FIG. 15 is a bottom view thereof;
FIG. 16 is a perspective view thereof;
FIG. 17 is a front view showing a third variant of the chair;
FIG. 18 is a back view thereof;
FIG. 19 is a top view thereof;
FIG. 20 is a right side view thereof;
FIG. 21 is a left side view thereof;
FIG. 22 is a bottom view thereof; and,
FIG. 23 is a perspective view thereof.

1 Claim, 23 Drawing Sheets



US D685,201 S

Page 2

U.S. PATENT DOCUMENTS

D495,171	S *	8/2004	Wesley	D6/501				
D505,796	S *	6/2005	Johnson	D6/356				
6,942,295	B1 *	9/2005	Lopez	297/300.1				
7,614,703	B2 *	11/2009	Bergin	297/411.2				
7,845,725	B1 *	12/2010	Sawhney	297/248				
7,871,039	B2 *	1/2011	Fullerton et al.	244/118.5				
D653,466	S *	2/2012	Figueras Mitjans	D6/364				
D653,871	S *	2/2012	Jakobsen et al.	D6/368				
D655,930	S *	3/2012	Lee	D6/367				
D665,182	S *	8/2012	Hilton et al.	D6/360				
D672,980	S *	12/2012	Mitjans	D6/364				
2004/0212228	A1 *	10/2004	Skelly et al.	297/217.3				

* cited by examiner

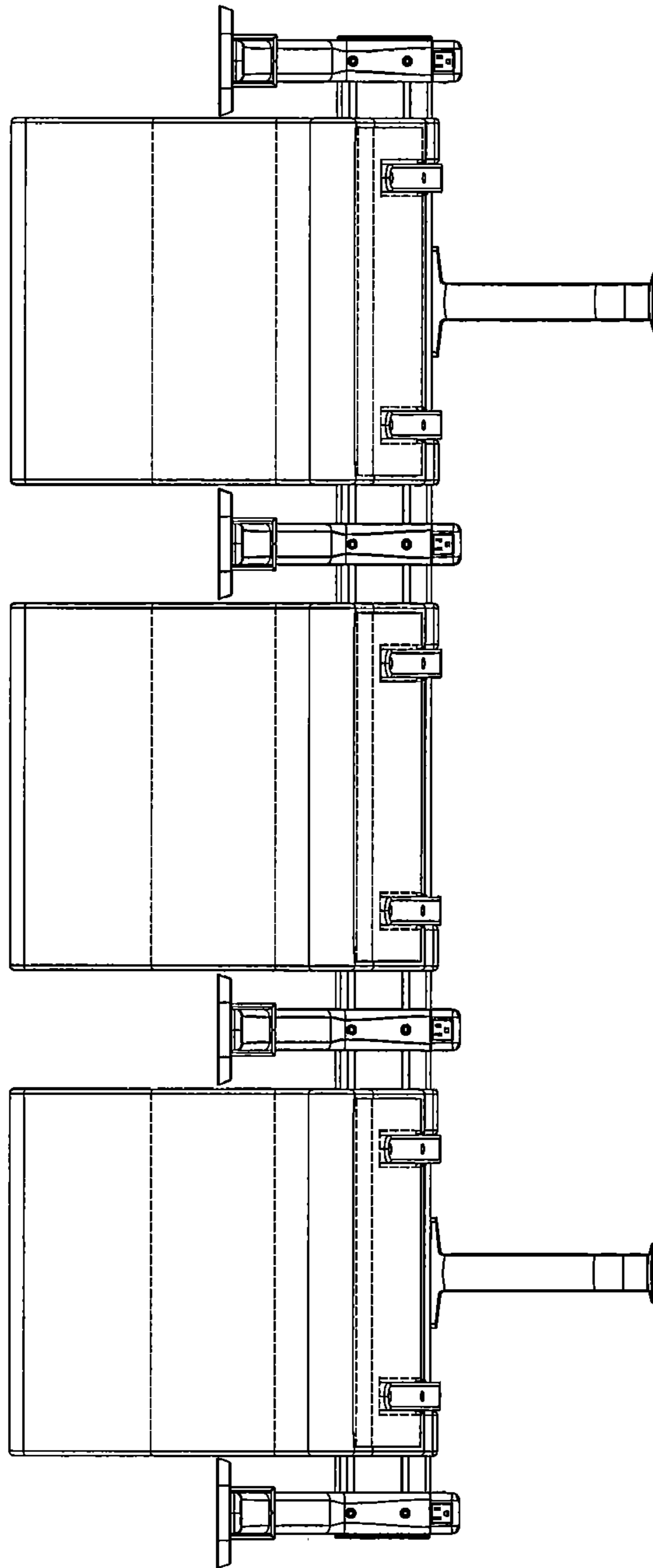


FIG. 1

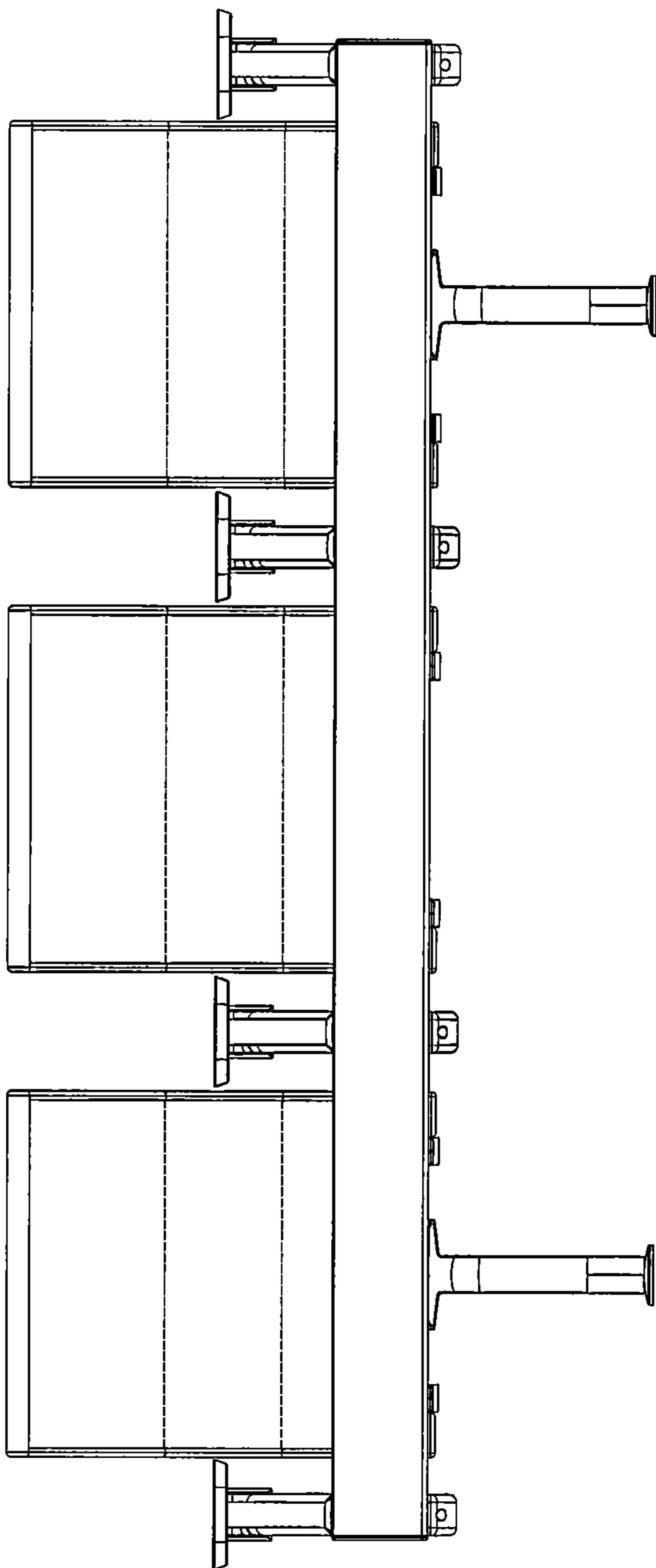


FIG. 2

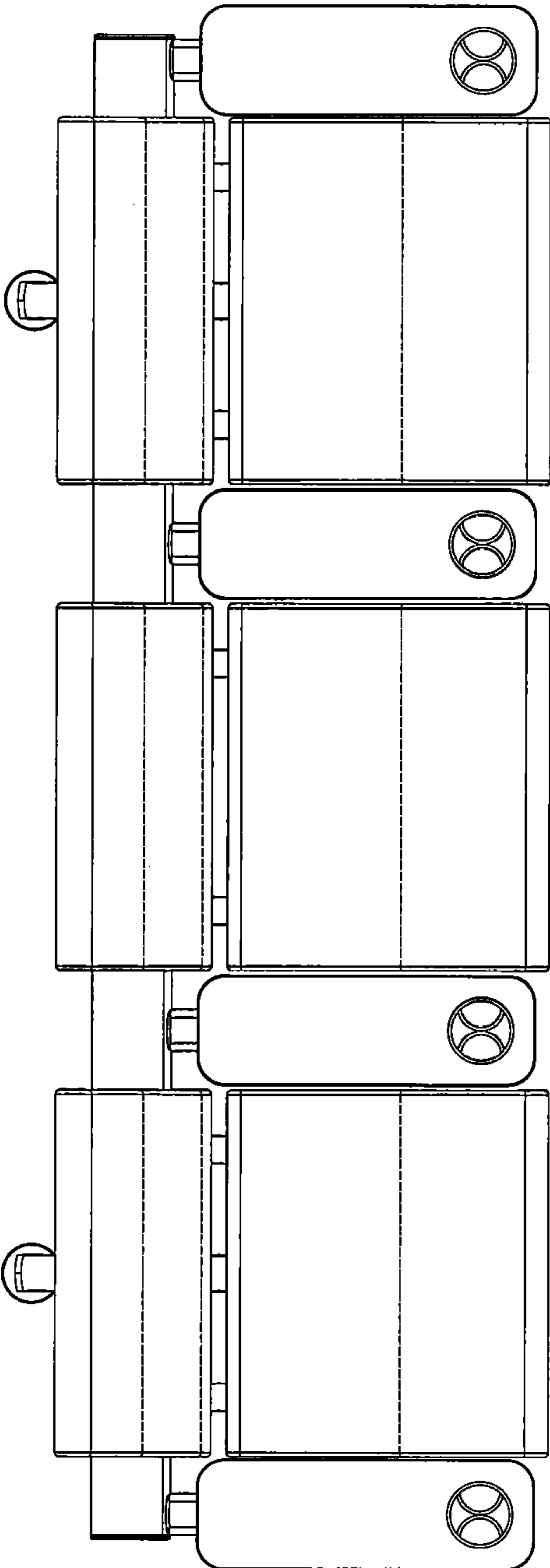


FIG. 3

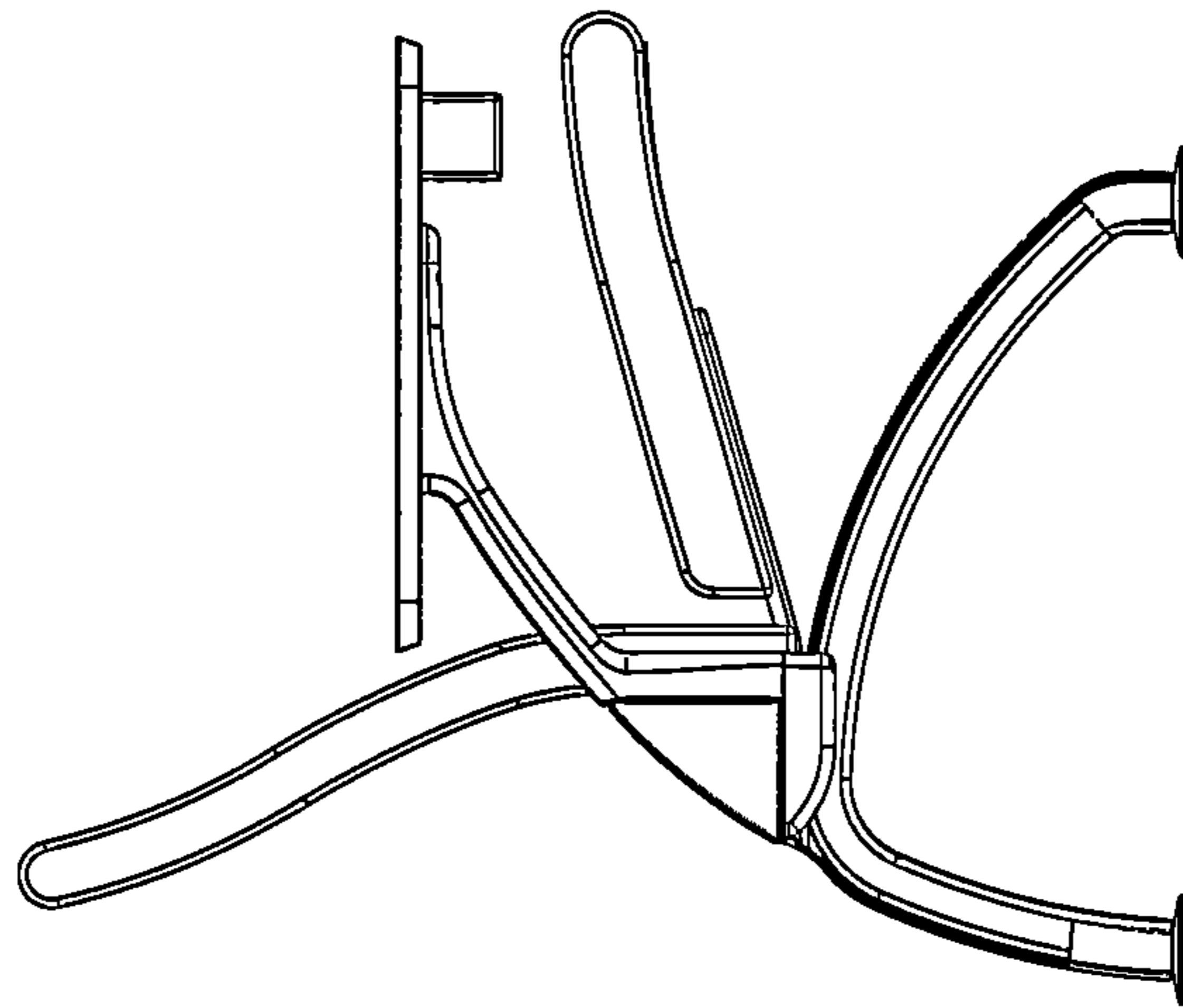


FIG. 4

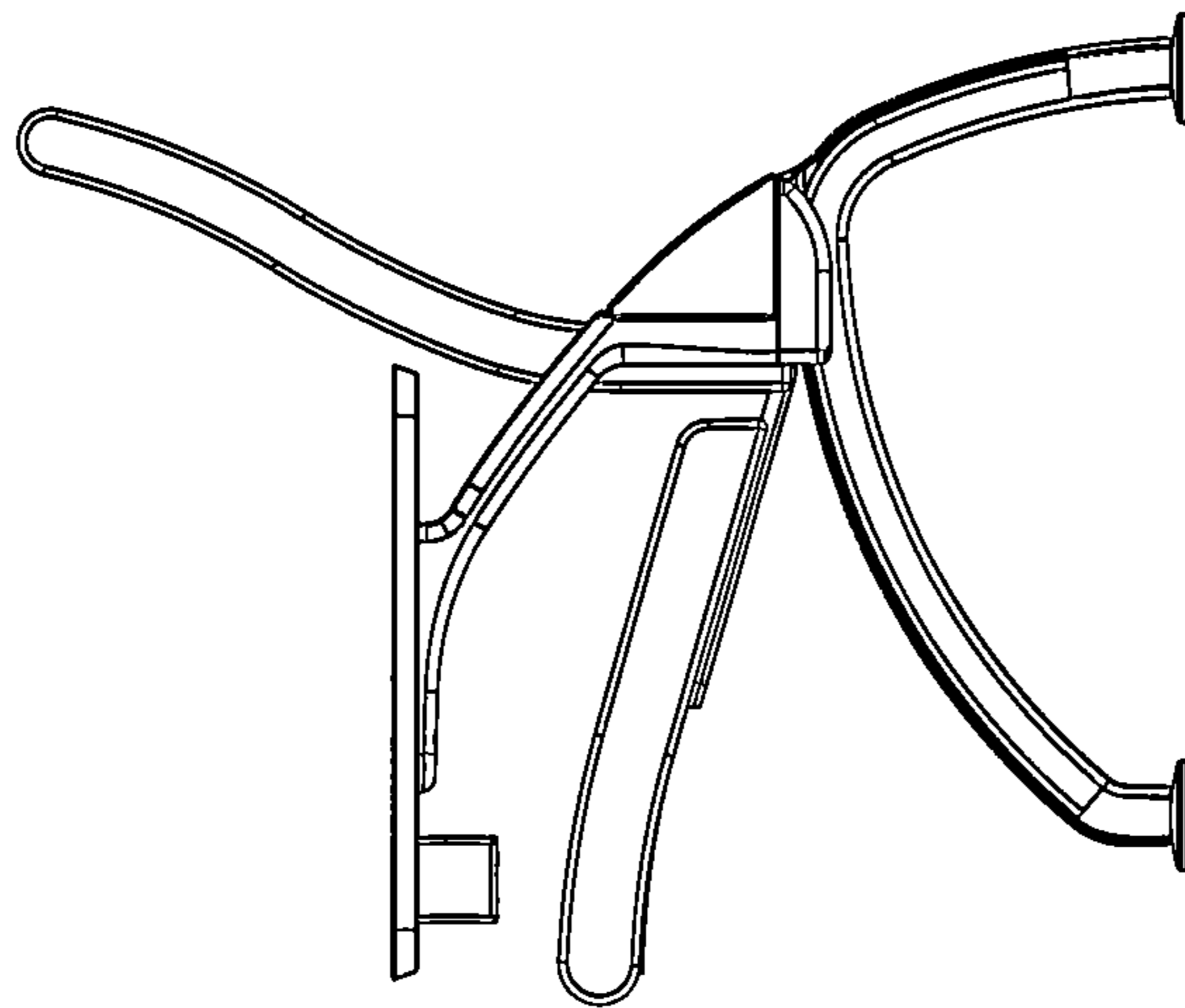


FIG. 5

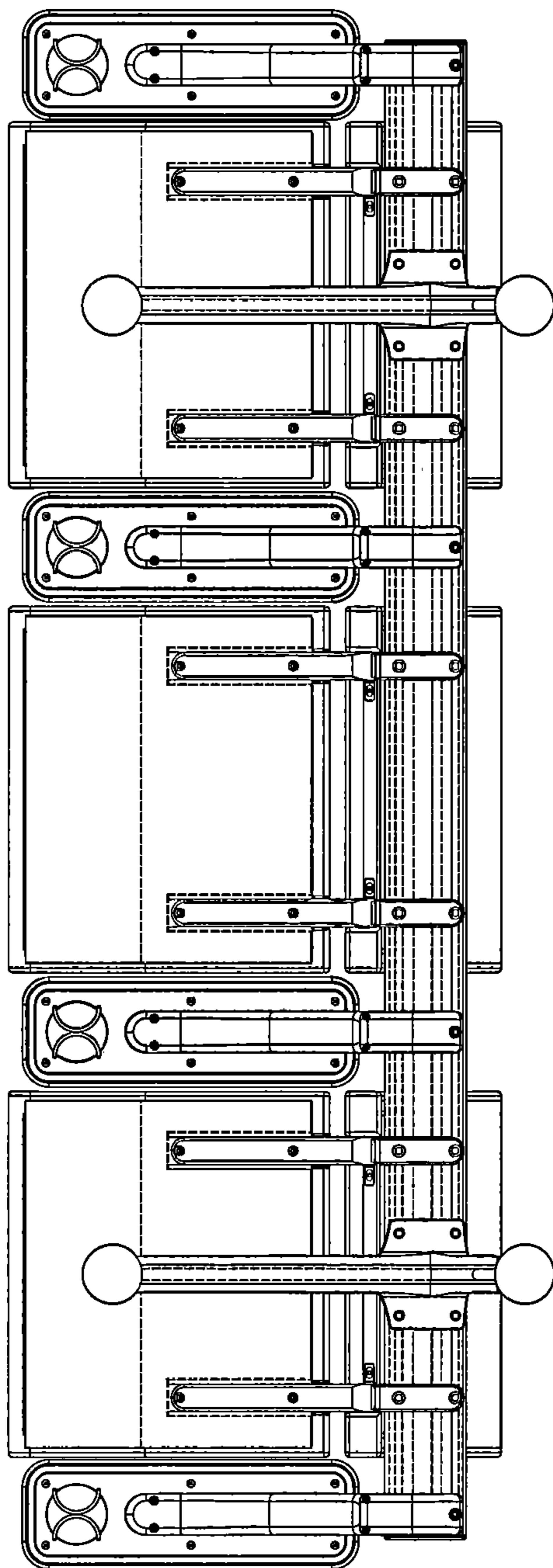


FIG. 6

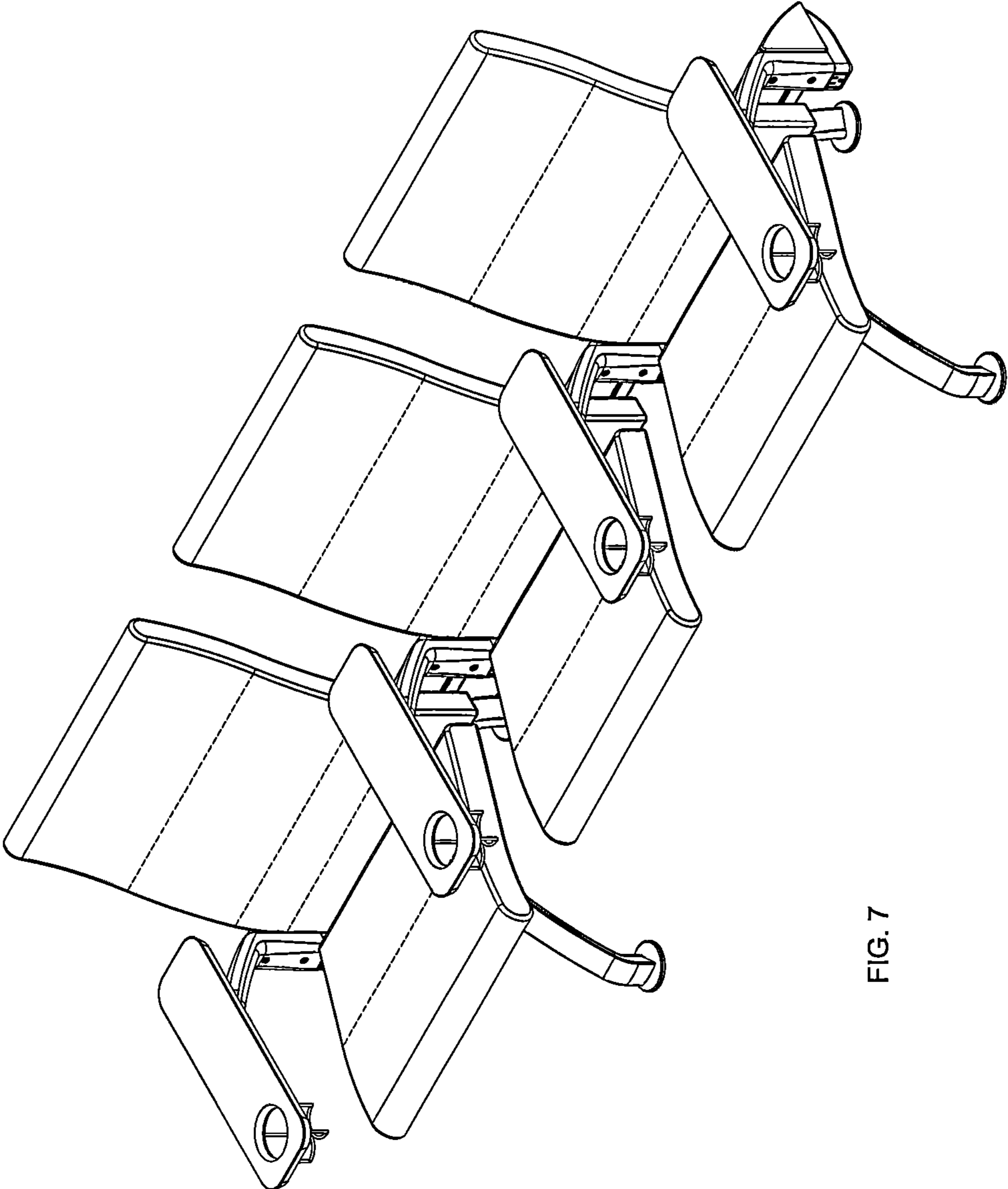


FIG. 7

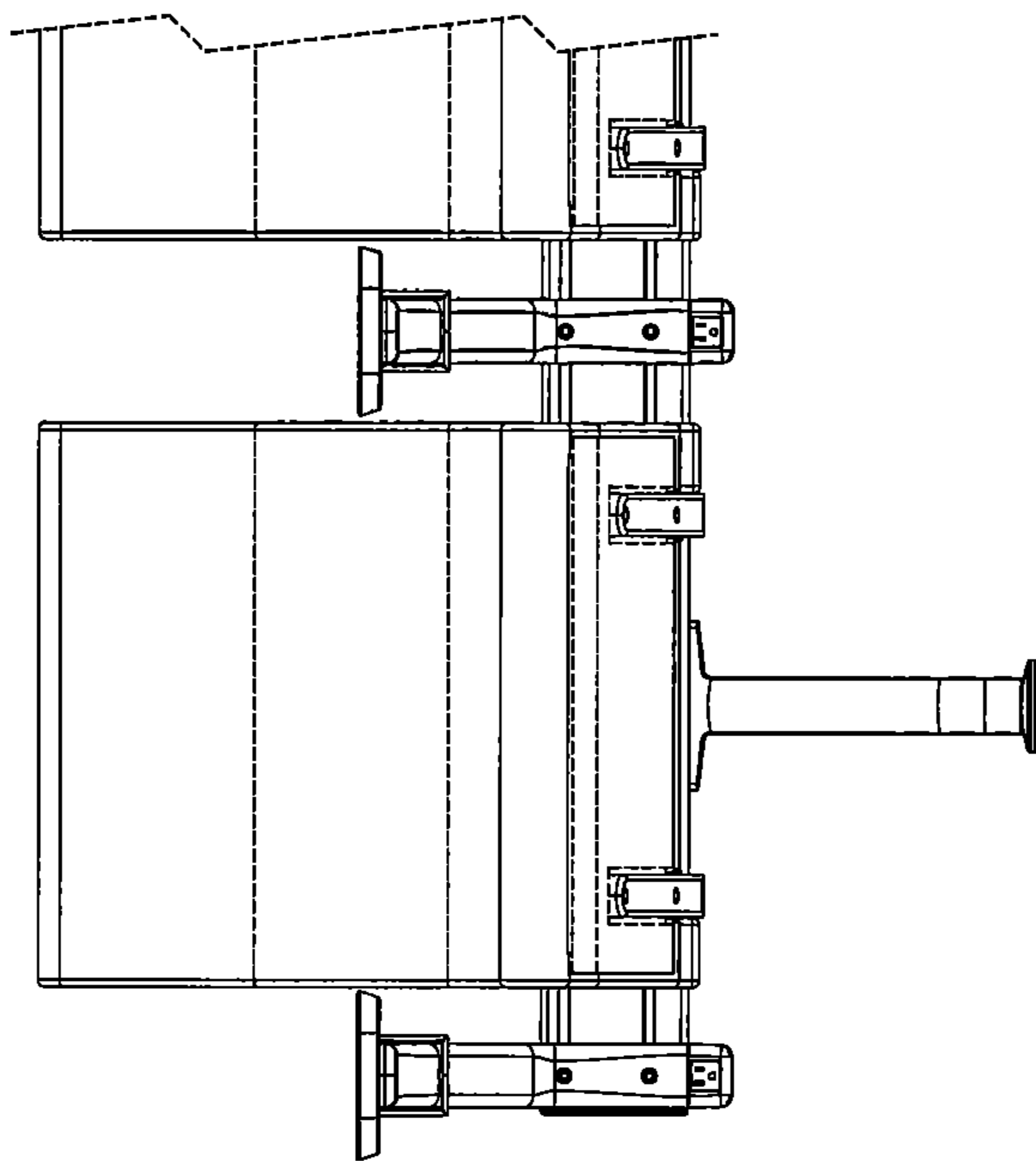
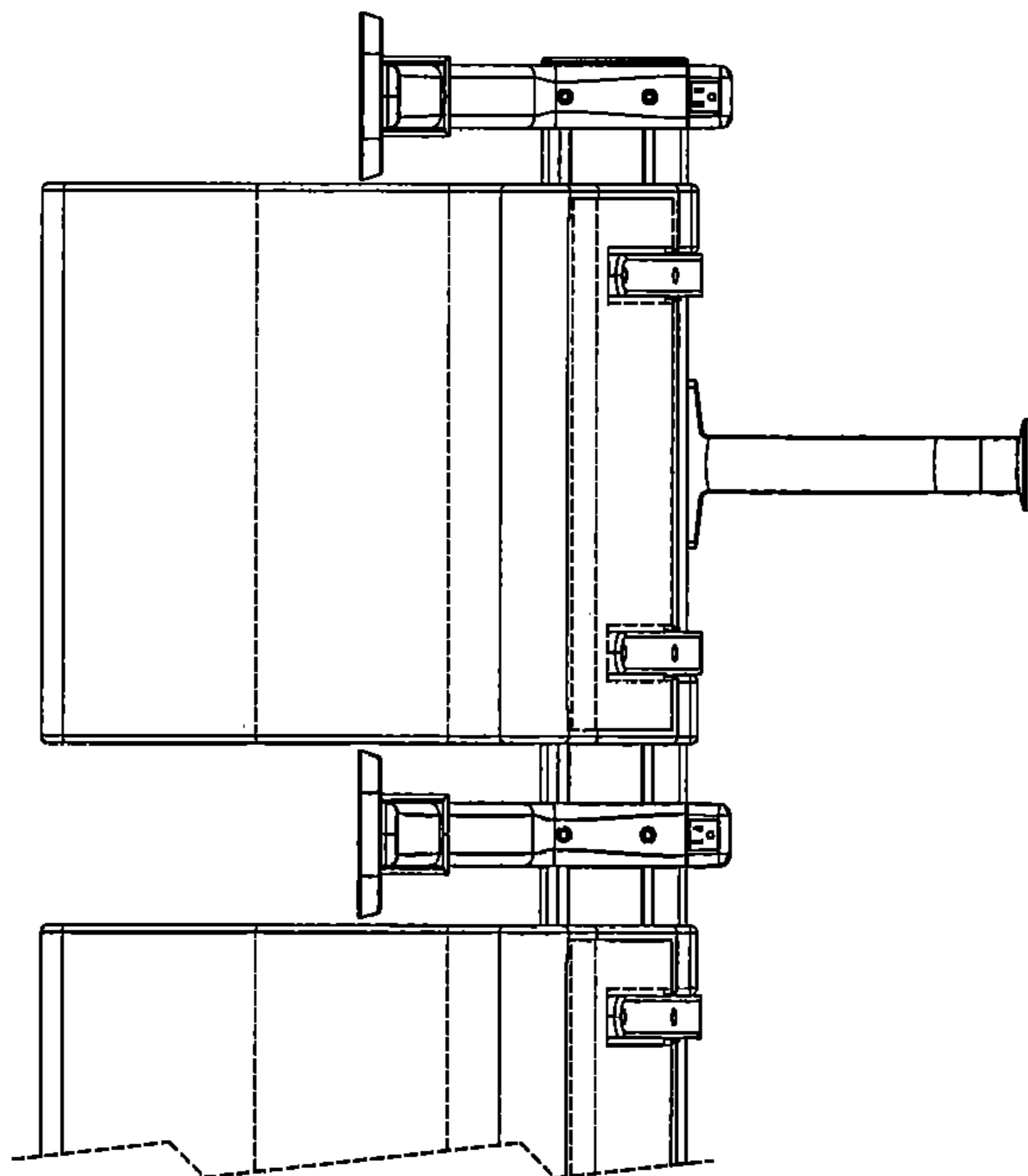


FIG. 8

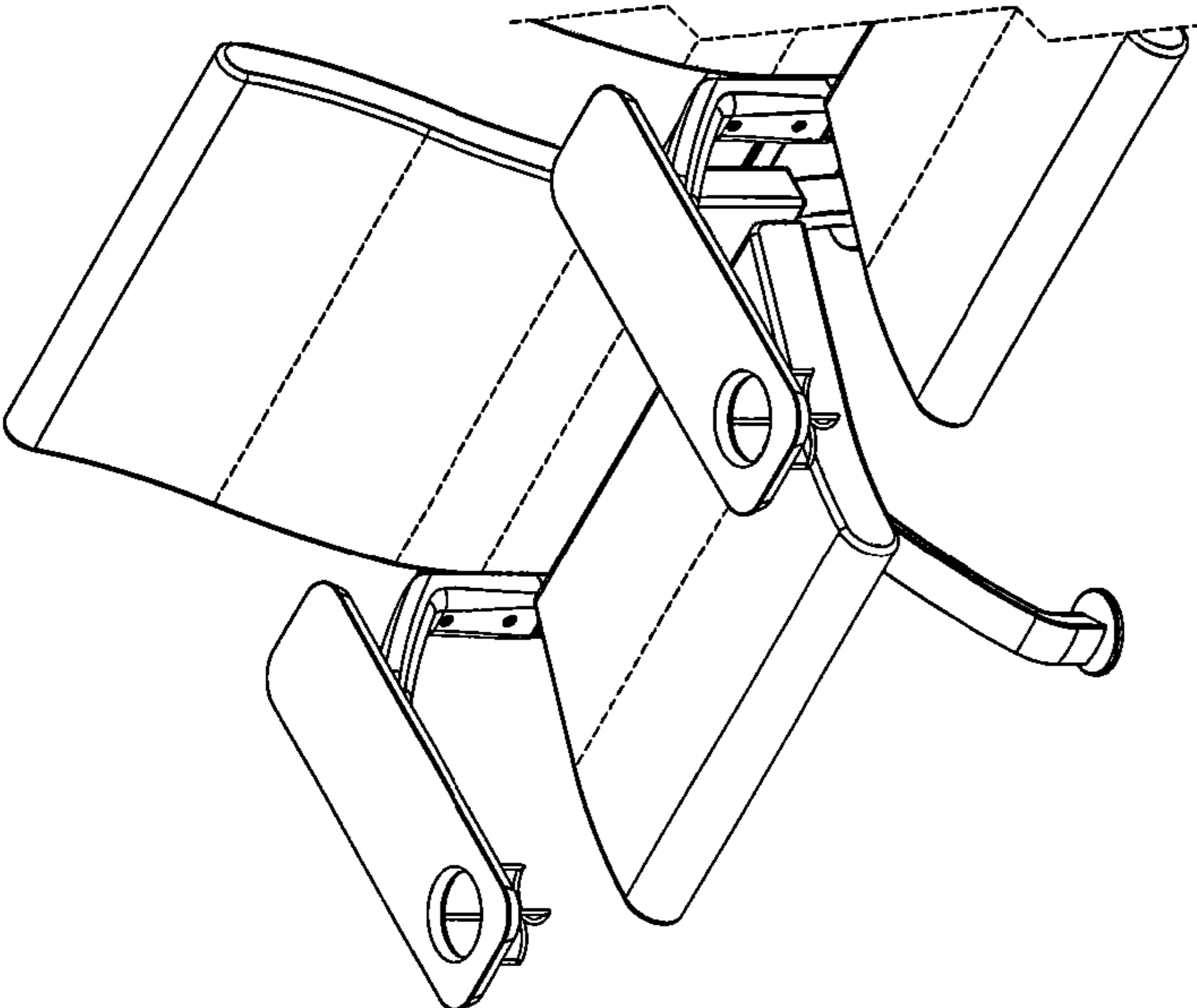
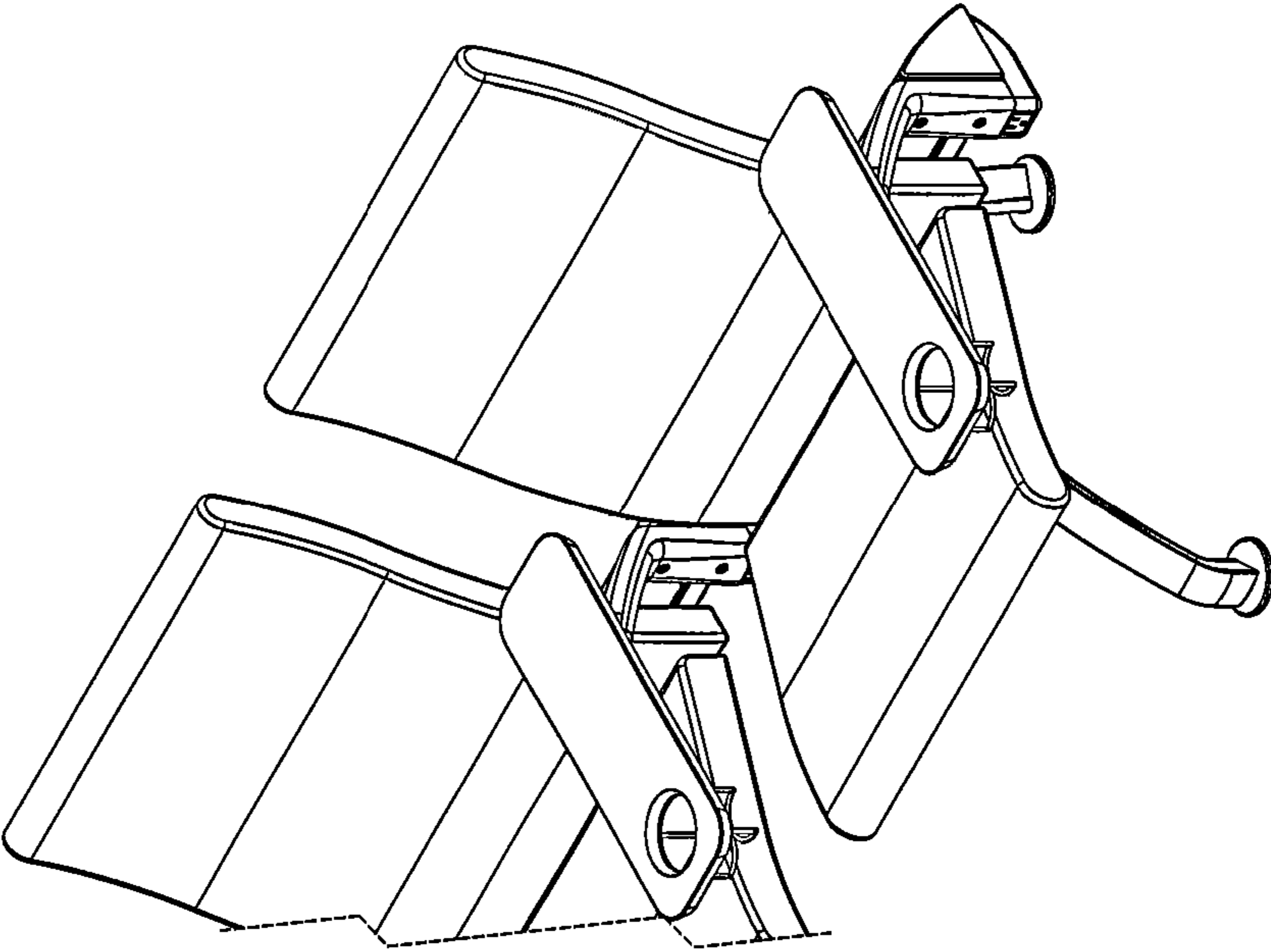


FIG. 9

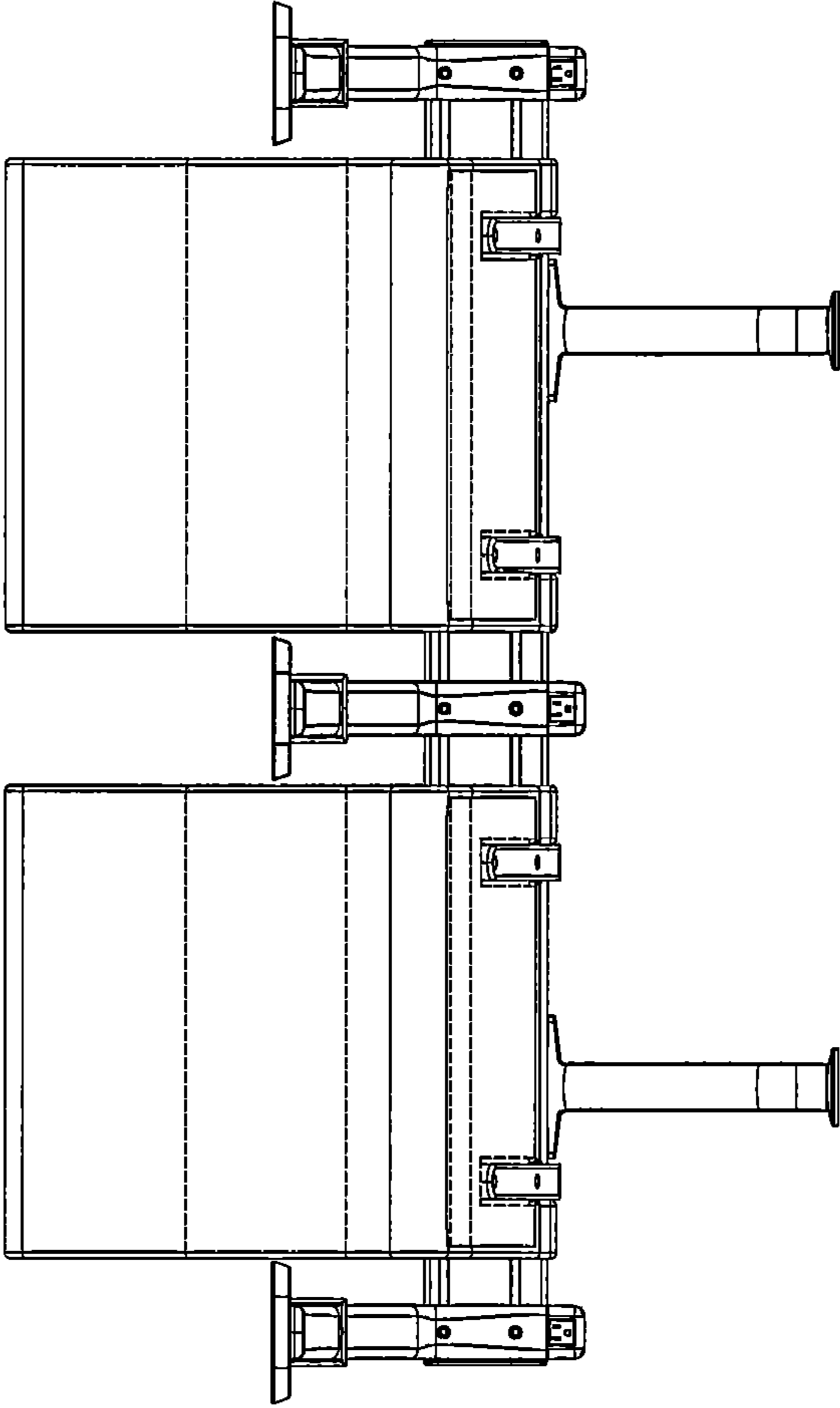


FIG. 10

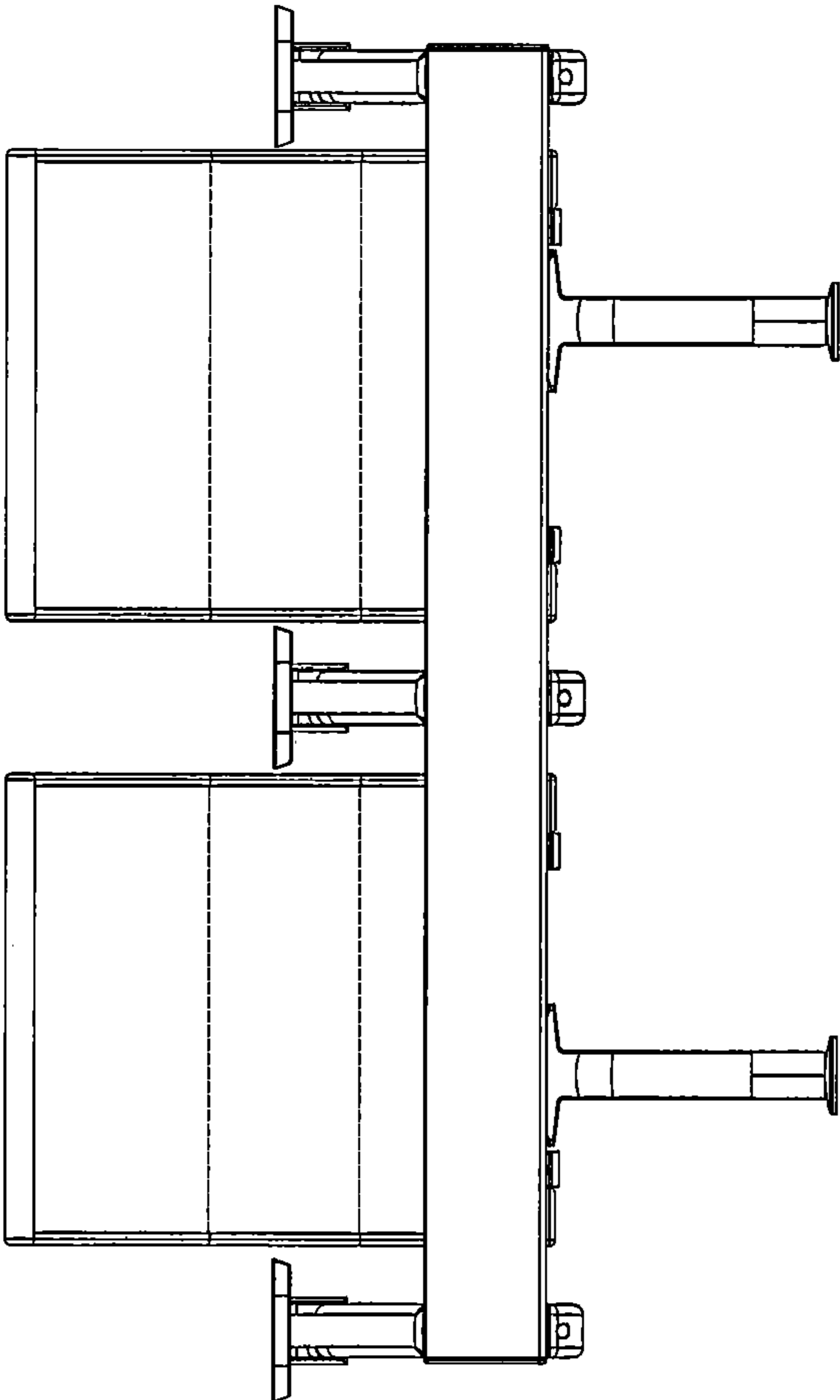


FIG. 11

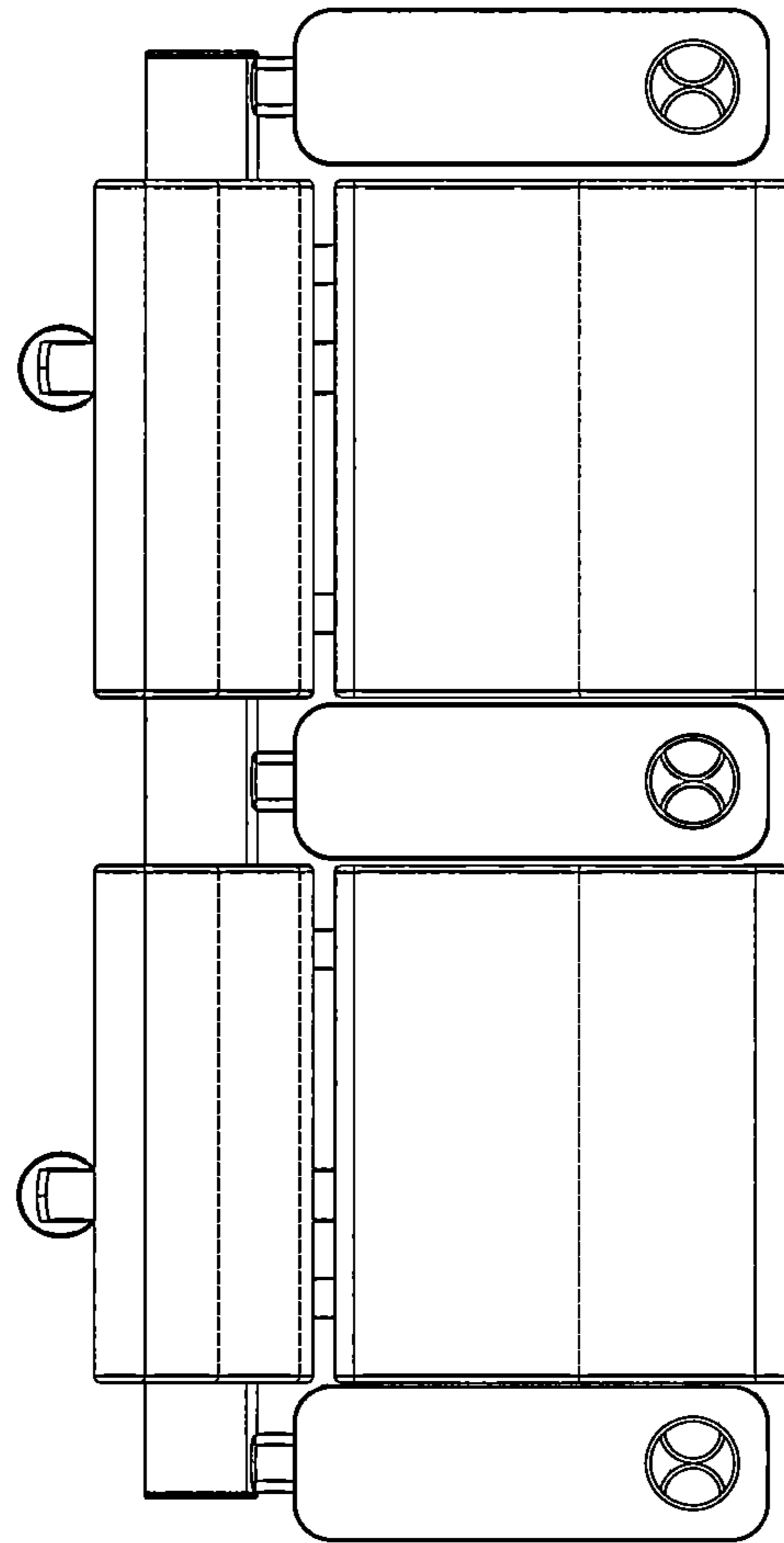


FIG. 12

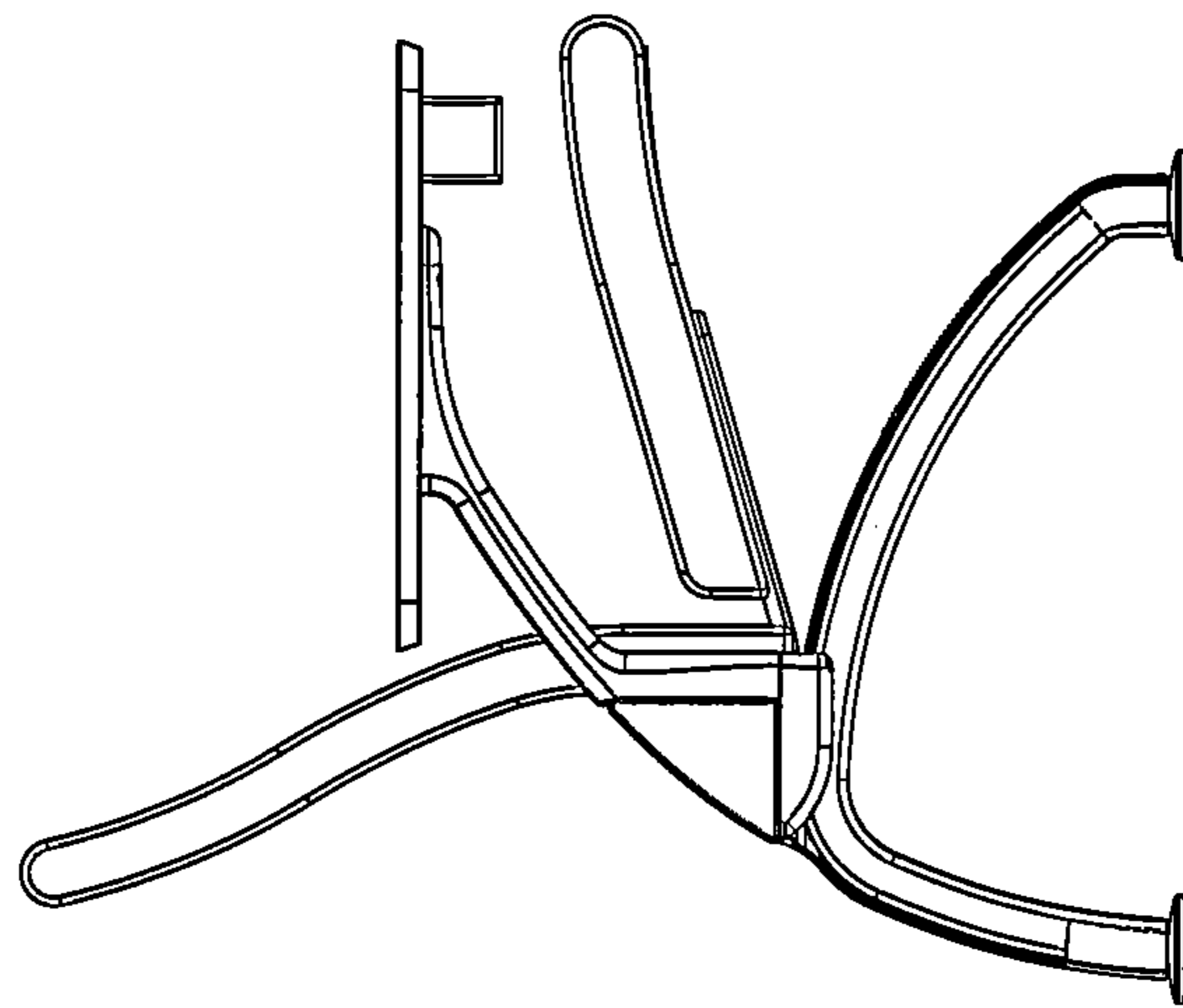


FIG. 13

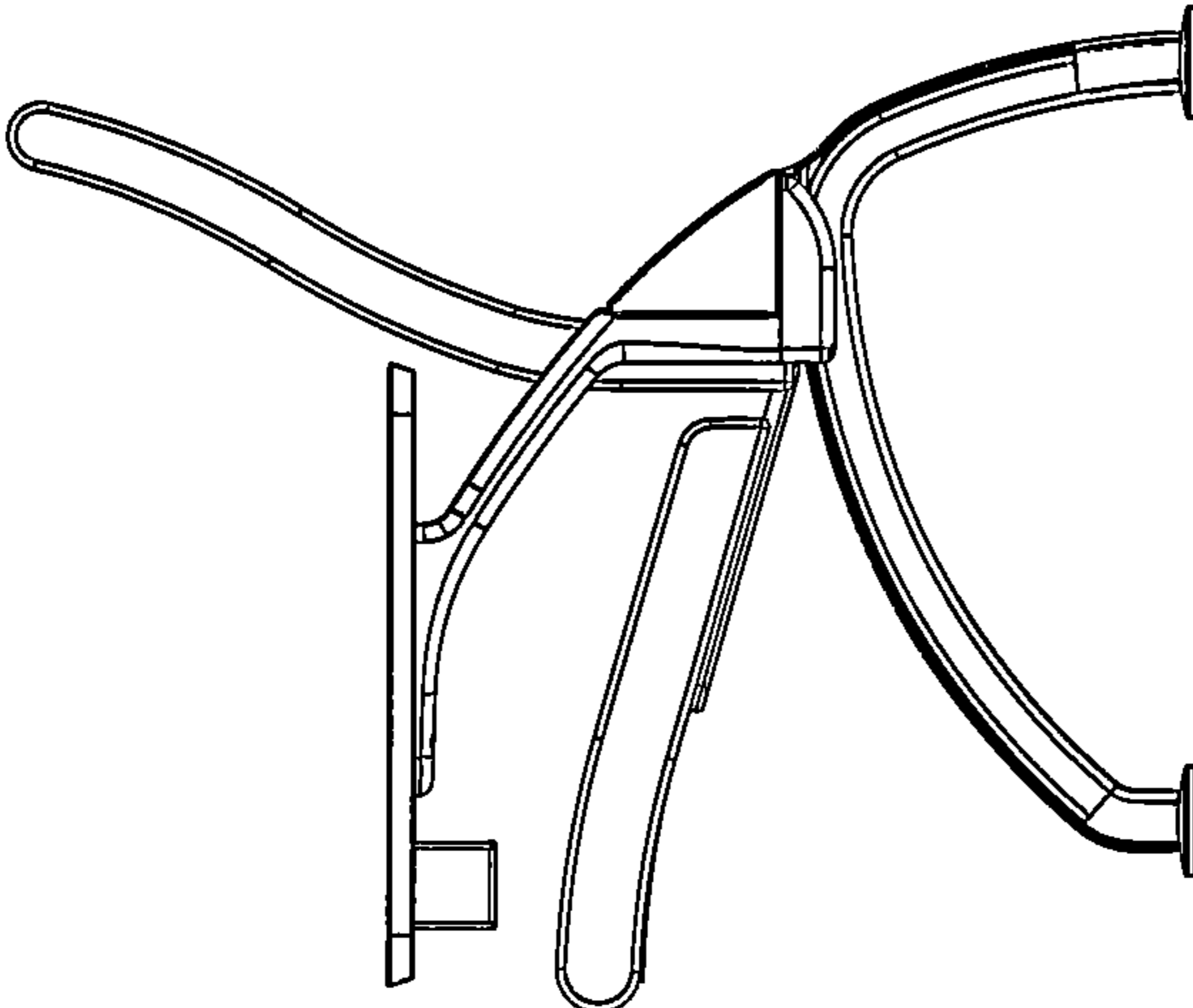


FIG. 14

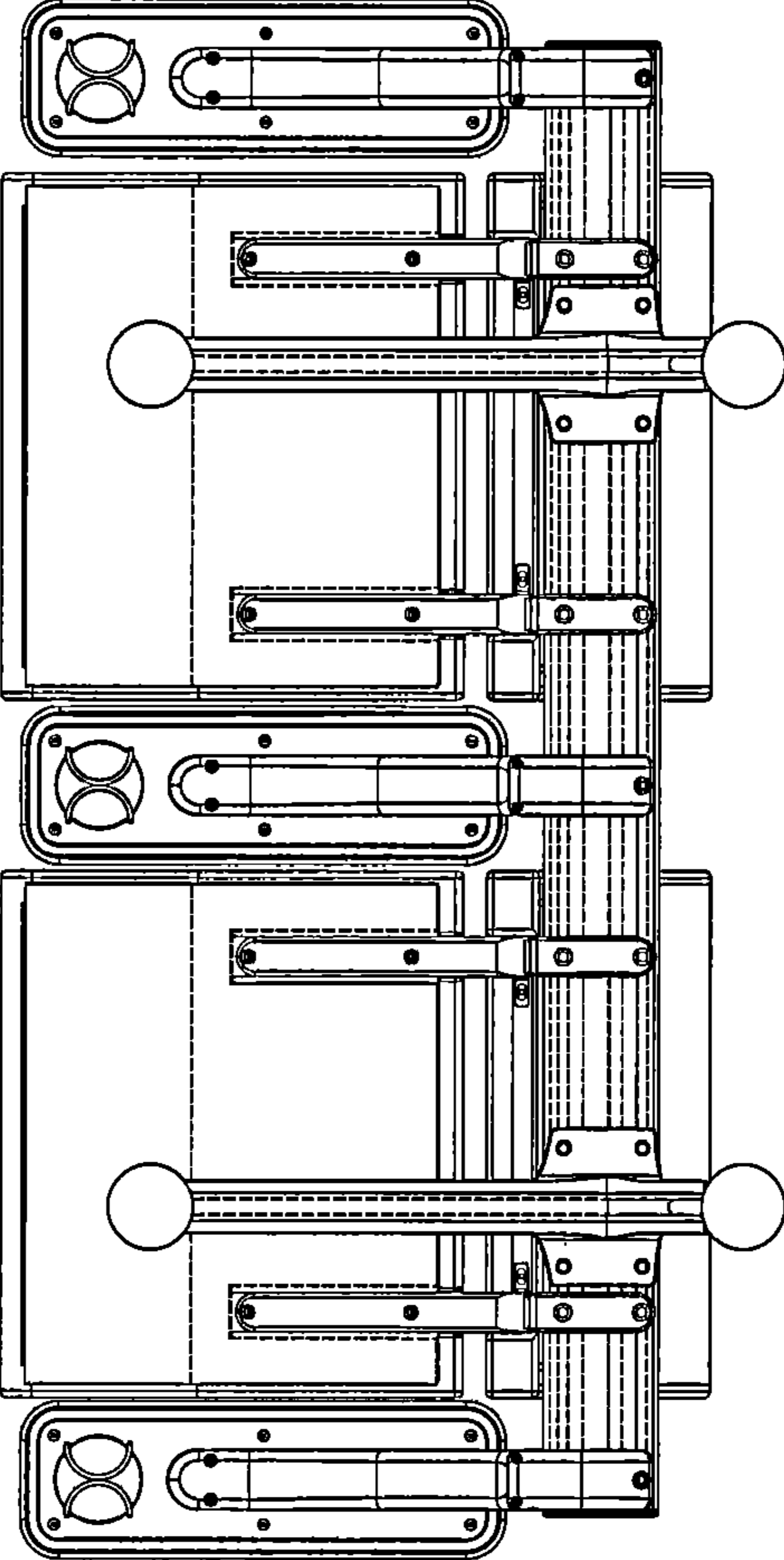


FIG. 15

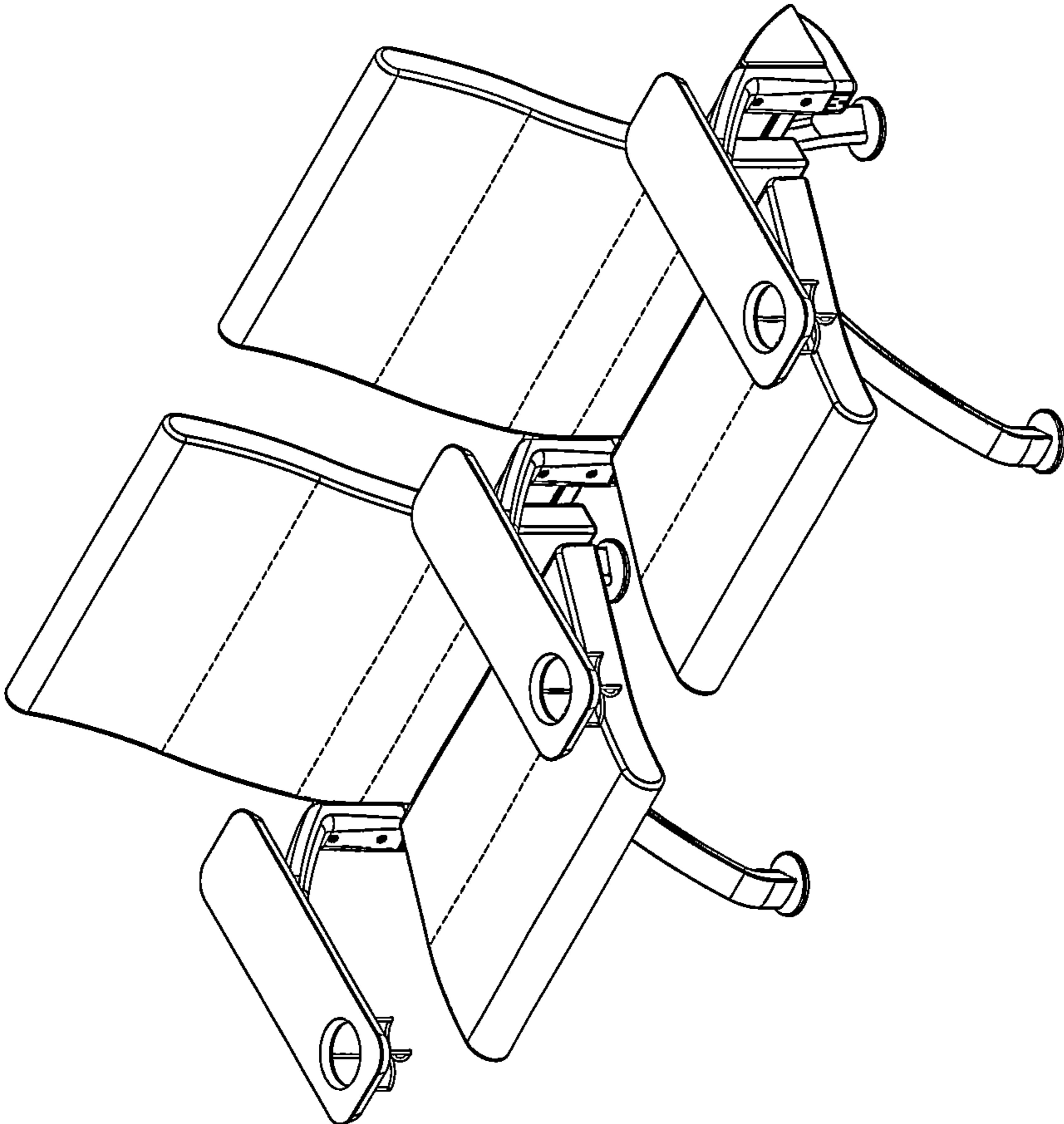


FIG. 16

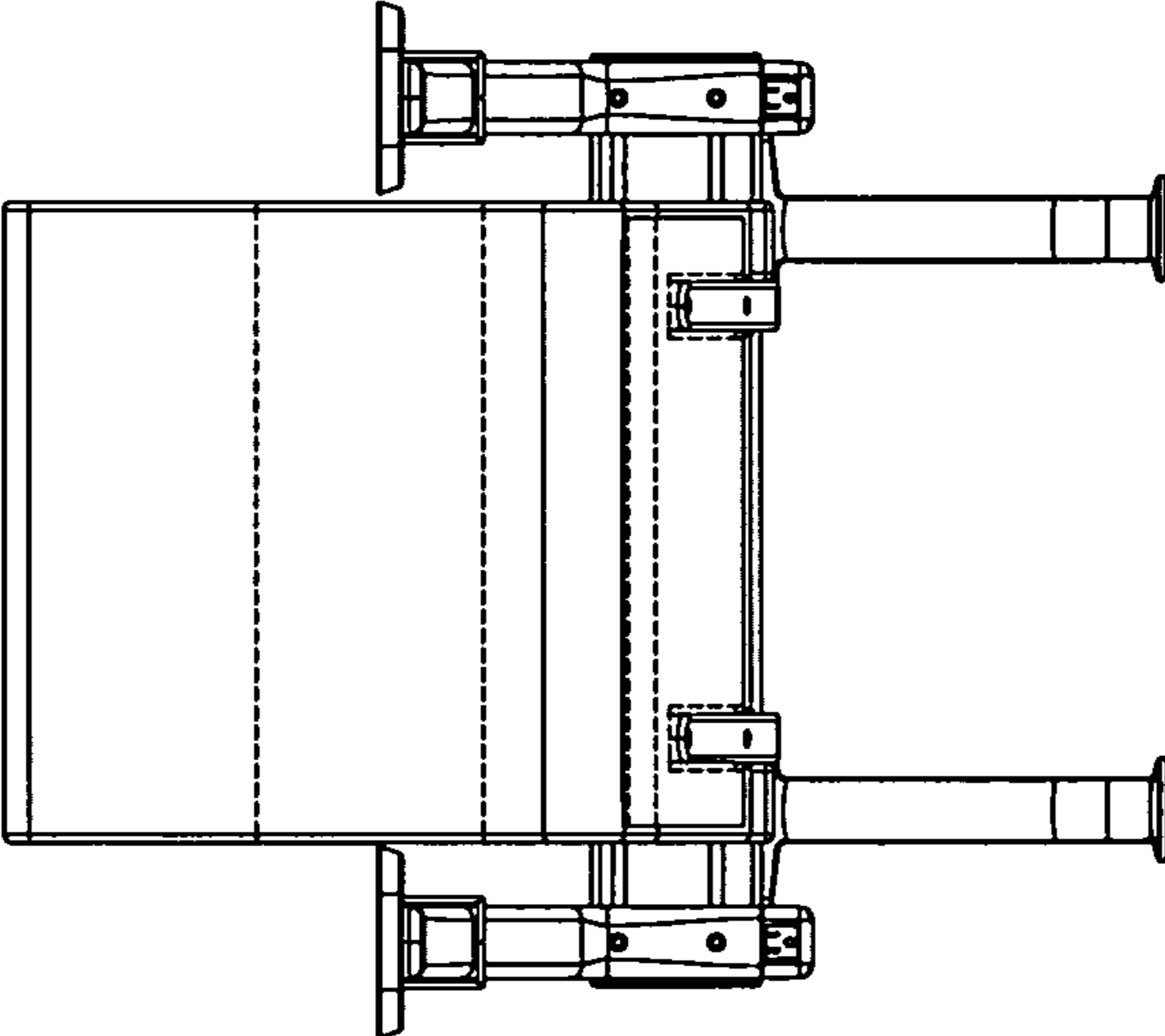


FIG. 17

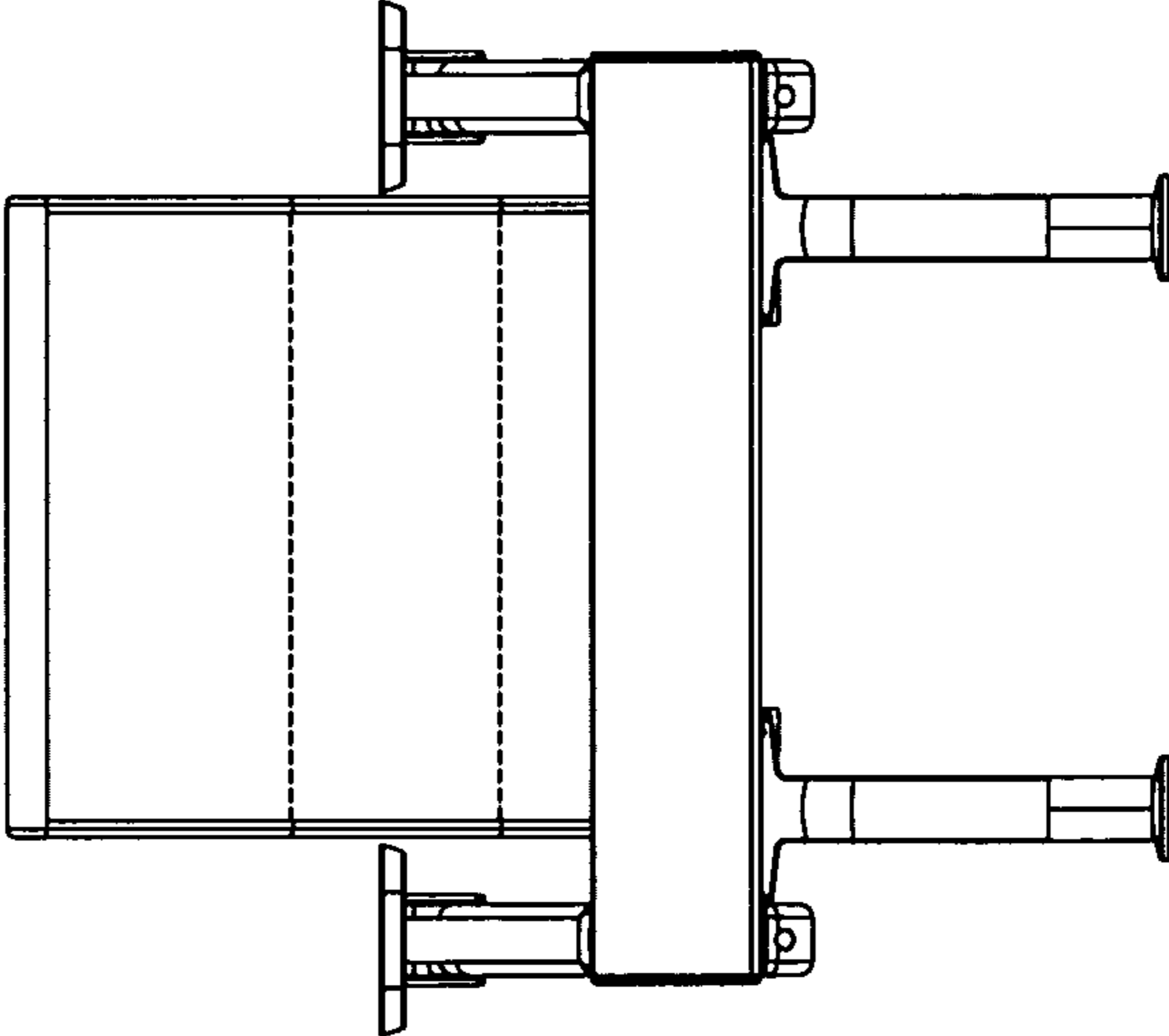


FIG. 18

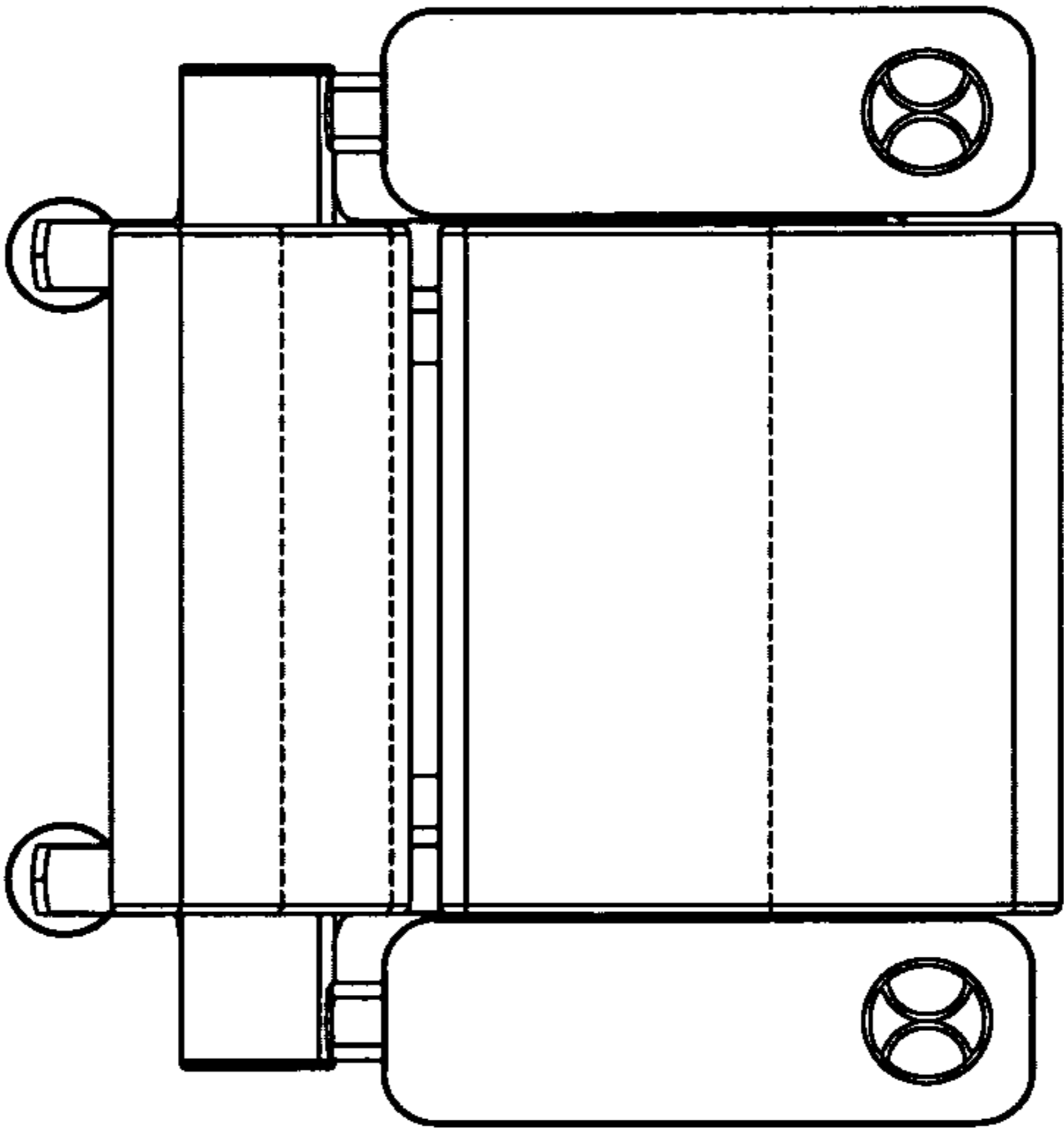


FIG. 19

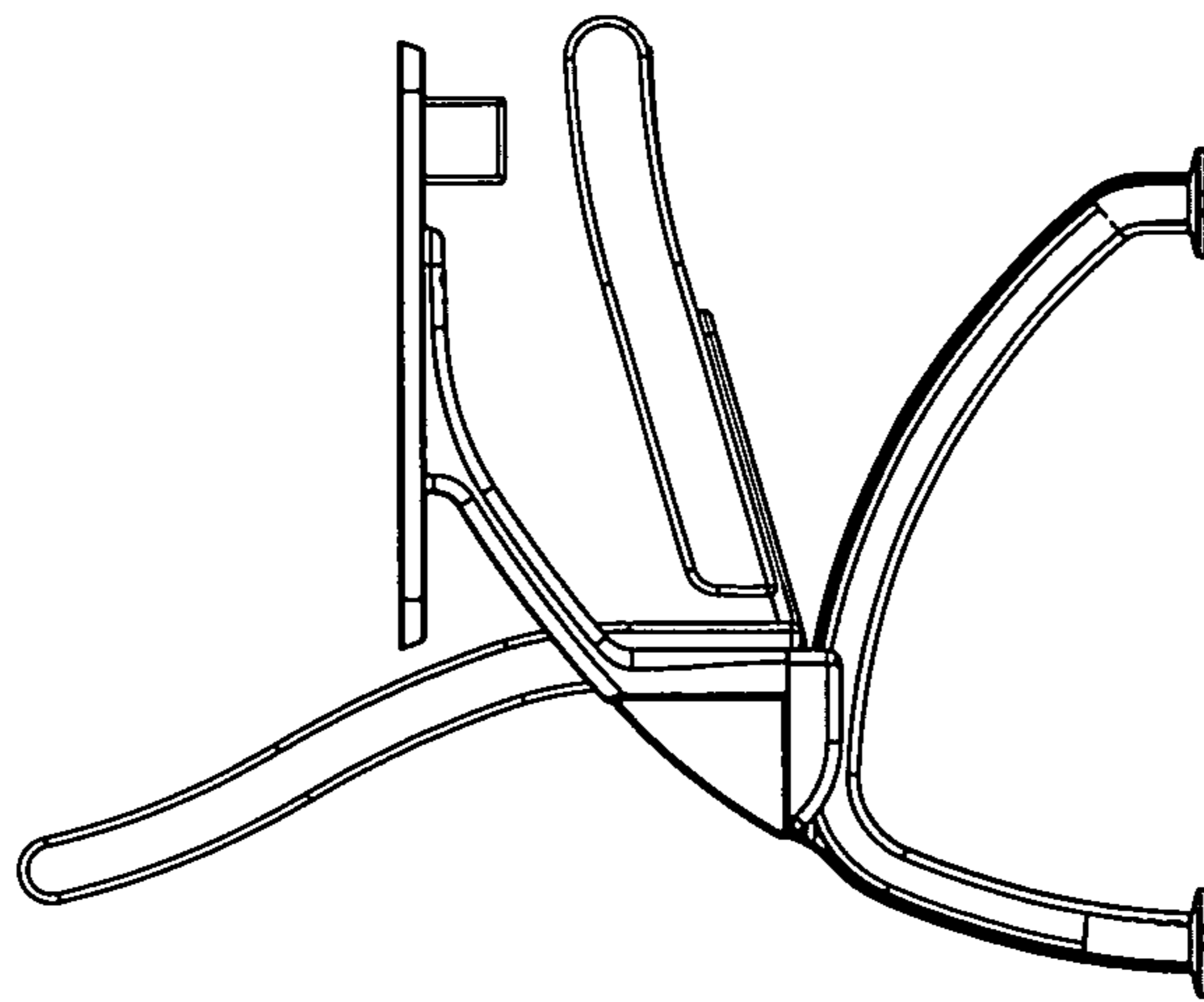


FIG. 20

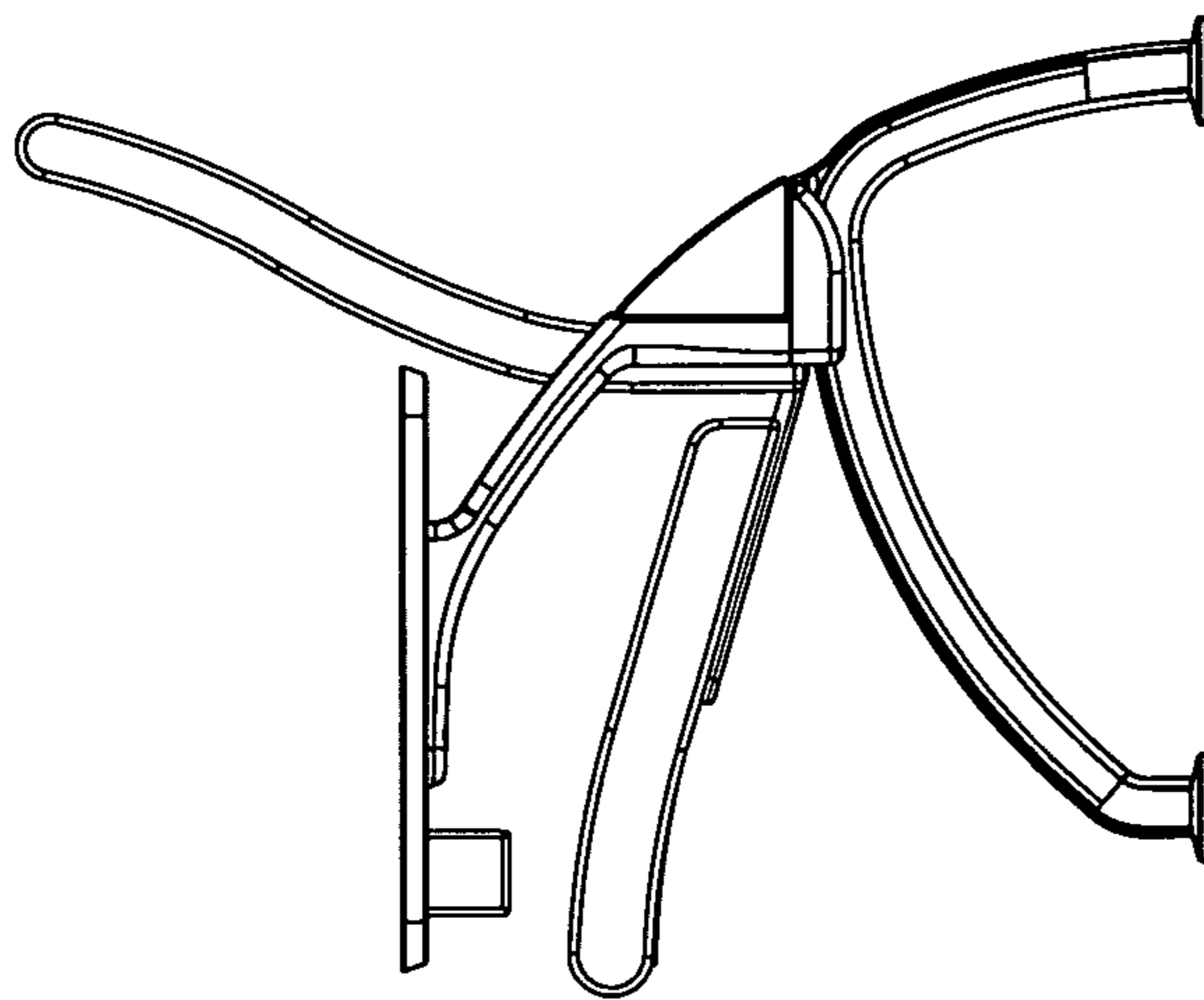


FIG. 21

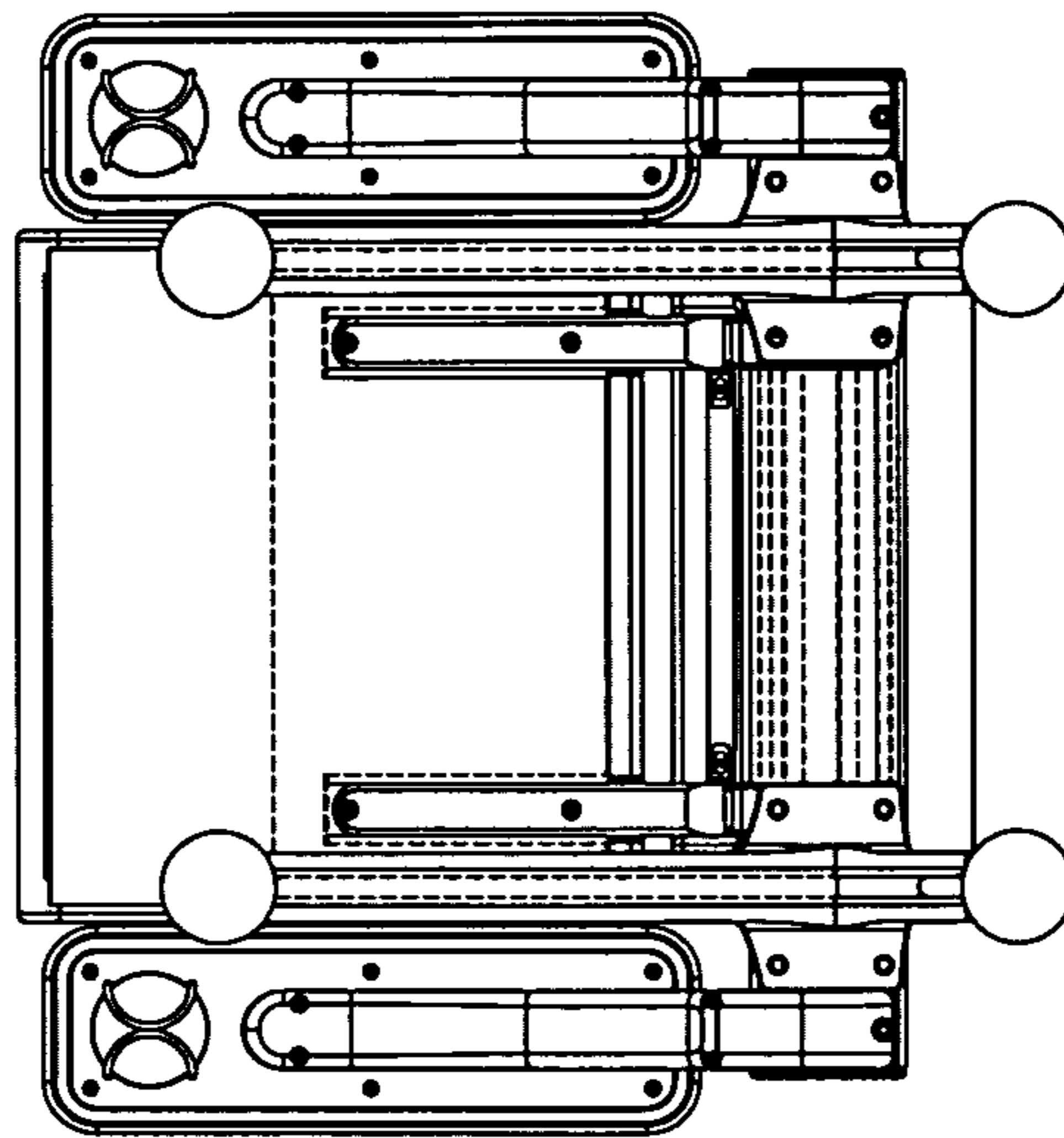


FIG. 22

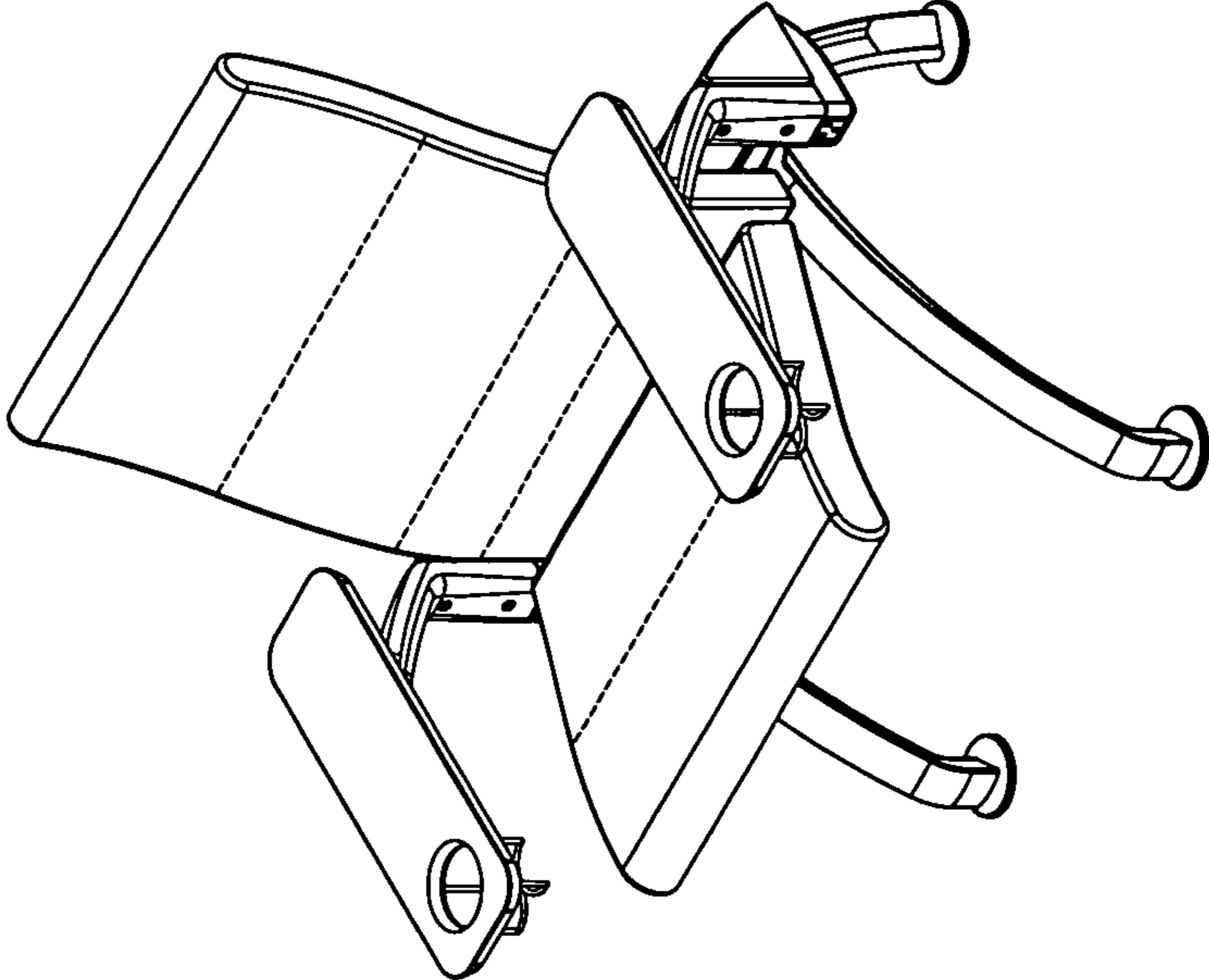


FIG. 23