



US00D685198S

(12) **United States Design Patent**  
**Arko et al.**

(10) **Patent No.:** **US D685,198 S**

(45) **Date of Patent:** **\*\* Jul. 2, 2013**

(54) **FURNITURE PIECE**

(75) Inventors: **Robert Peter Arko**, San Francisco, CA (US); **Matthew Hollingsworth**, San Francisco, CA (US)

(73) Assignee: **Steelcase, Inc.**, Grand Rapids, MI (US)

(\*\*) Term: **14 Years**

(21) Appl. No.: **29/390,339**

(22) Filed: **Apr. 22, 2011**

(51) **LOC (9) Cl.** ..... **06-01**

(52) **U.S. Cl.**  
USPC ..... **D6/349**

(58) **Field of Classification Search**  
USPC ..... D6/335, 340, 344, 349-355, 495, D6/500-502; 297/16.1, 175, 187, 195.1, 297/423.1, 423.11, 423.14, 423.16, 461, 297/462

See application file for complete search history.

(56) **References Cited**

**U.S. PATENT DOCUMENTS**

97,579	A	12/1869	Wittram	
974,018	A	10/1910	Binckley	
2,625,204	A *	1/1953	Reichman	297/105
2,696,870	A	12/1954	Mende	
D181,730	S	12/1957	Jones et al.	
2,822,861	A *	2/1958	Parent	248/394
D184,081	S	12/1958	Belz	
2,938,573	A *	5/1960	Stanley	248/371
3,227,112	A *	1/1966	Wiseman	108/11
D215,858	S	11/1969	Hamilton et al.	
D243,215	S	2/1977	Winrow	
D245,949	S	10/1977	Amev	
D252,057	S *	6/1979	Spound et al.	D6/349
D253,378	S	11/1979	Spound et al.	
4,212,090	A	7/1980	Ehrlich	
D259,597	S	6/1981	Marks	
D270,595	S	9/1983	Yates	

D335,053	S	4/1993	Morin	
D335,964	S	6/1993	Diaz-Azcuy	
D336,166	S *	6/1993	Hollington	D6/349
D359,406	S	6/1995	Crawford et al.	
D363,382	S	10/1995	Hutton	
D376,482	S	12/1996	Lewis	
D376,499	S	12/1996	Glick et al.	
D382,124	S *	8/1997	Chandler	D6/349
D396,962	S	8/1998	Lewis	
D416,143	S	11/1999	Ragan	

(Continued)

**OTHER PUBLICATIONS**

Krefeld Ottoman. [online] Retrieved online Jan. 25, 2013 from URL: <www.dwr.com/category/living/ottomans-benches-stools.do?nType=1>.\*

(Continued)

*Primary Examiner* — Susan Bennett Hattan  
*Assistant Examiner* — Vy Koenig  
(74) *Attorney, Agent, or Firm* — Quarles & Brady LLP

(57) **CLAIM**

The ornamental design for a furniture piece, as shown and described.

**DESCRIPTION**

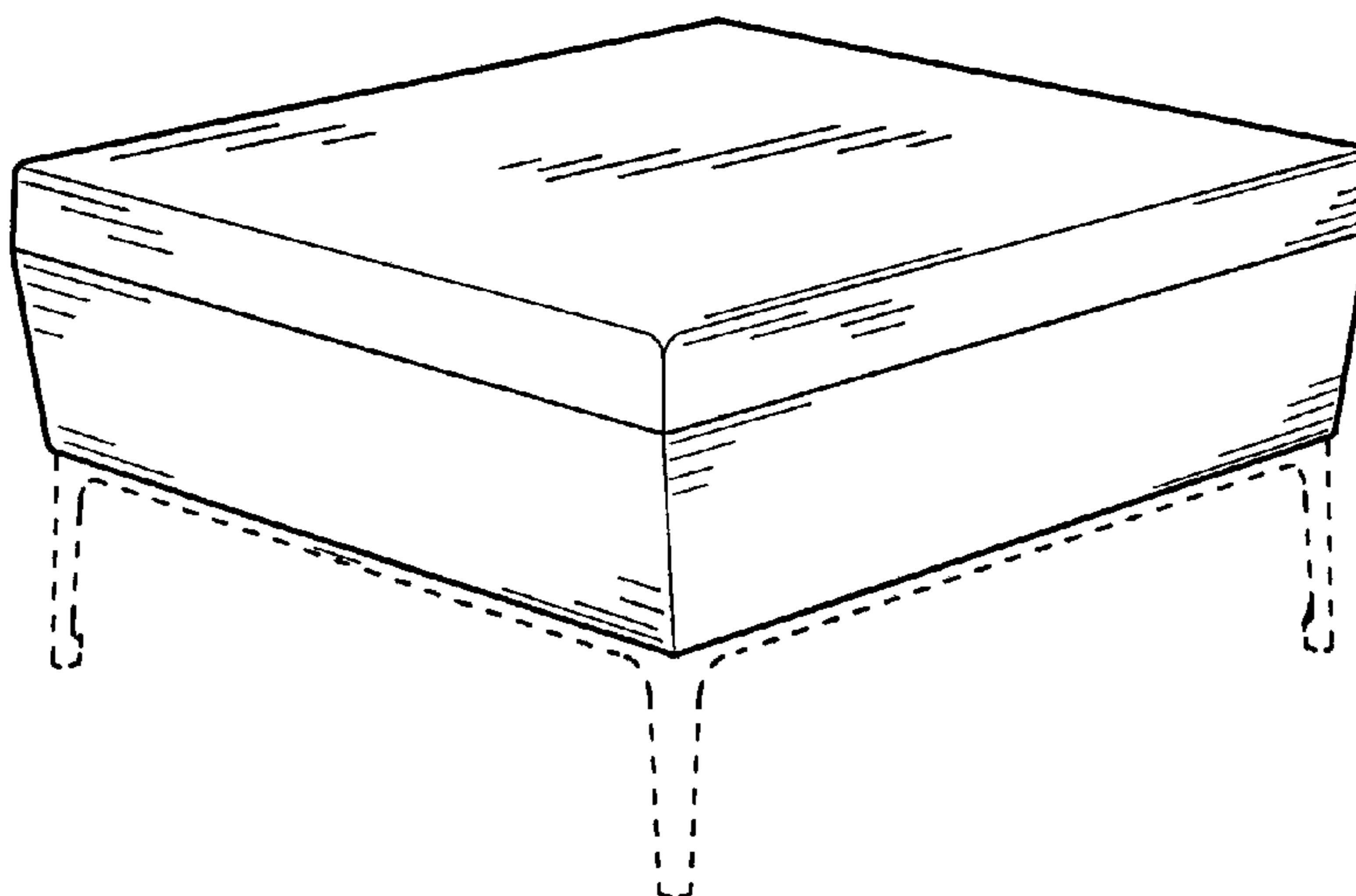
FIG. 1 is a top, front perspective view of a furniture piece according to our new design, the bottom thereof being unseen in use;

FIG. 2 is a front elevational view thereof, the rear elevational view thereof being a mirror image of the front shown; and, FIG. 3 is a left side elevational view thereof, the right side elevational view thereof being a mirror image of the left side shown.

The nature of this product is a piece of furniture, for example a bench, ottoman, chair, lounge and the like.

The broken lines in the drawings depict environmental subject matter only and form no part of the claimed design.

**1 Claim, 1 Drawing Sheet**



U.S. PATENT DOCUMENTS

D474,345 S	*	5/2003	Pesso .....	D6/349
D493,966 S		8/2004	Rach	
D498,064 S	*	11/2004	Gomez .....	D6/334
D508,336 S		8/2005	Suzuki et al.	
D580,670 S	*	11/2008	Weiss .....	D6/361
D583,578 S		12/2008	Swanson	
D597,328 S		8/2009	Schweikarth et al.	
D614,876 S	*	5/2010	Metcalf et al. ....	D6/349
D617,122 S		6/2010	Moon et al.	
D618,935 S		7/2010	Metcalf et al.	

OTHER PUBLICATIONS

Visalia Lounge. [online] Retrieved online Feb. 21, 2013 from URL: <[www.coalesse.com/products/visalia-lounge/](http://www.coalesse.com/products/visalia-lounge/)>.\*  
 Metropolitan Furniture Corporation. "Contract Bench". Interiors catalog. Copyright Apr. 1961.  
 Metropolitan Furniture Corporation. "Contract B". Interiors catalog. Copyright Apr. 1961.  
 Metropolitan Furniture Corporation. "Contract C". Interior Design catalog. Copyright Aug. 1962.  
 Metropolitan Furniture Corporation. "506J Vision". Palto alto Times, Copyright Nov. 19, 1957.  
 NLBAA Sofa, First Proof Journal Oregon Journal of CA 2-5511, Sunday, Oct. 11. No. 6226 Journal.  
 NLBAA Sofa, Sunset Magazine, Mar. 1961.  
 Metropolitan Furniture Company. "Sofa". Retailing Daily, Aug. 19, 1954, p. 10.

Metropolitan Furniture Company. "Chairs". Pennisula Living, Sep. 14-15, 1957, p. 25.  
 Metropolitan Furniture Company. "Sofa". Nat'l Furniture Review Aug. 15, 1961.  
 Metropolitan Furniture Company. Pierce Sofa, Nat'l Furniture Review, Aug. 15, 1961.  
 Metropolitan Furniture Company. Elegance/NLBAA Contract B Series, Contract Magazine, Feb. 1961.  
 Metropolitan Furniture Company. "Contract H". Metropolitan Furniture Sales Brochure 1961.  
 Metropolitan Furniture Company. "Contract B sofa, table and chair" National Furniture Review, Apr. 20, 1962.  
 Metropolitan Furniture Company. "Myriad collection", Printed publication published on or around Jun. 1961.  
 Metropolitan Furniture Company. "Contract B Table". Metropolitan Brochure.  
 Advertisement from Sloane's (San Francisco). San Francisciana.  
 Metropolitan Furniture Company. Advertisement/Brochure.  
 Metropolitan Furniture Company. "Elegance at a Price". In-house Metropolitan ad/brochure.  
 Metropolitan Furniture Company. "Sofa". Advertisement.  
 Sloane's (San Francisco) Sofas and Chairs. Advertisement.  
 Metropolitan Furniture Company. "Metropolitan's high-back chair".  
 Metropolitan Furniture Company. "Sofa". Fraser's /Berkeley Telegraph and Channing advertisement.  
 Metropolitan Furniture Company. "The Weekender Sofa/Bed". Furniture Forum catalog, section 1, p. 32.

\* cited by examiner

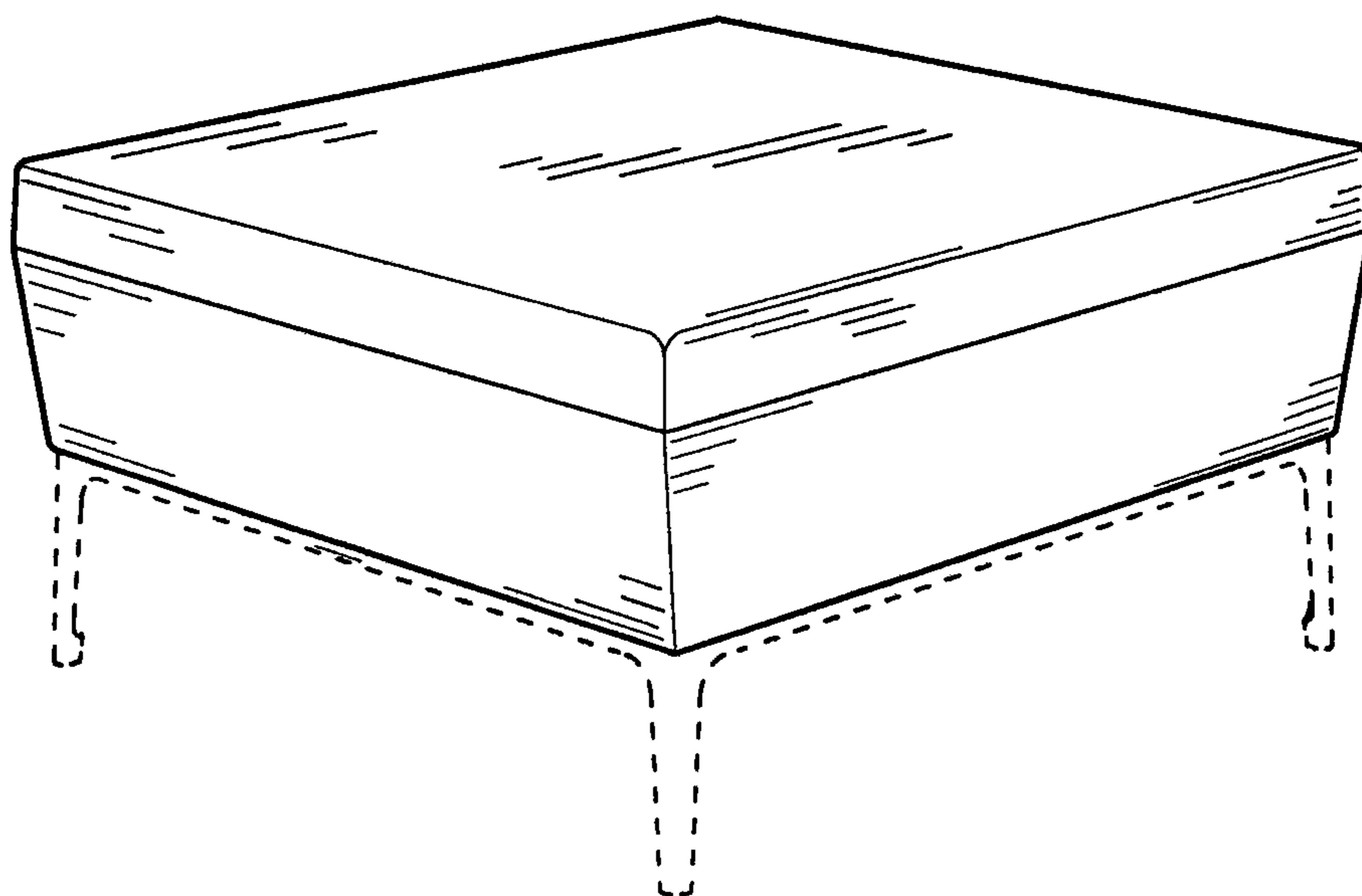


FIG. 1

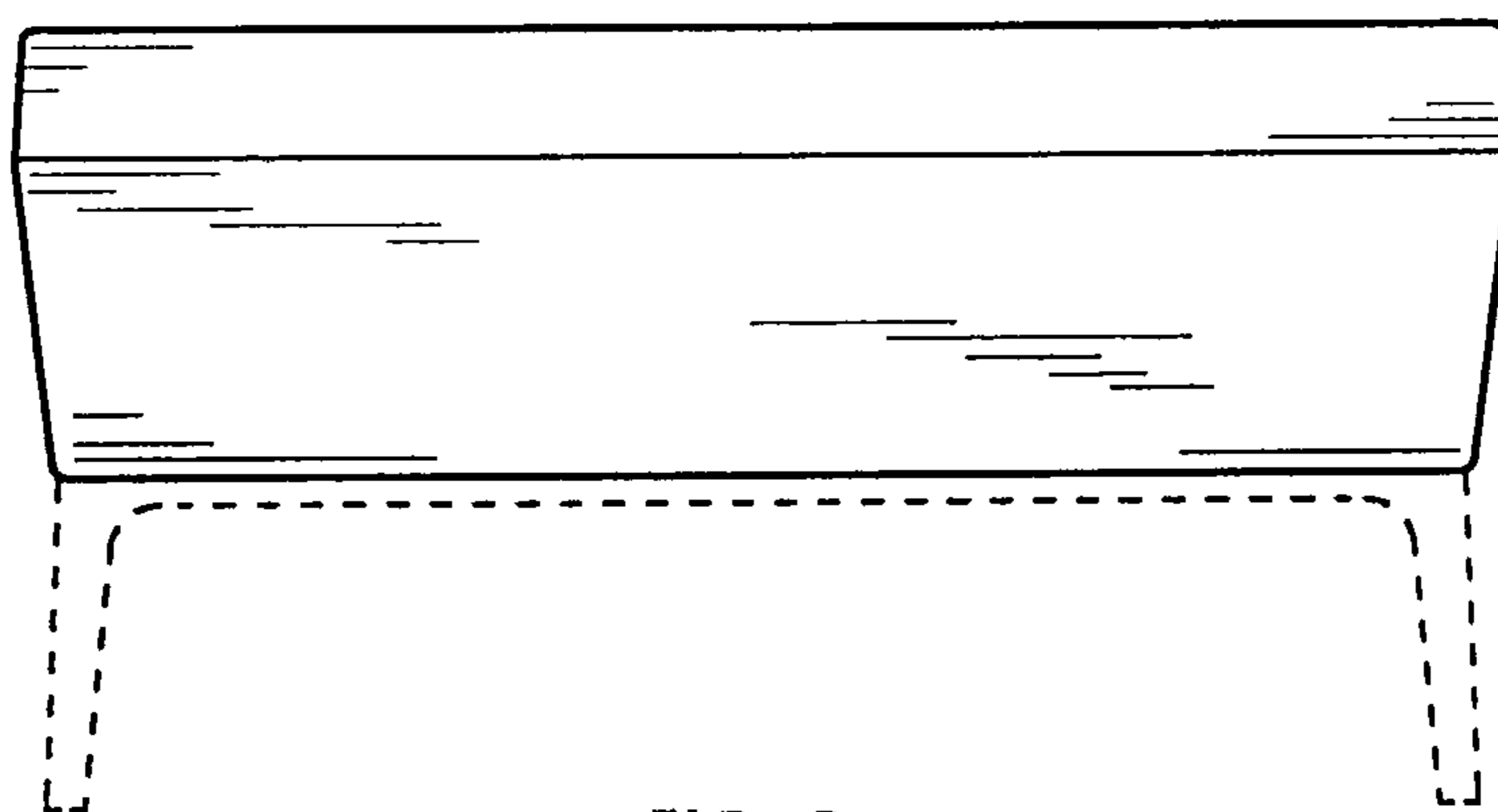


FIG. 2

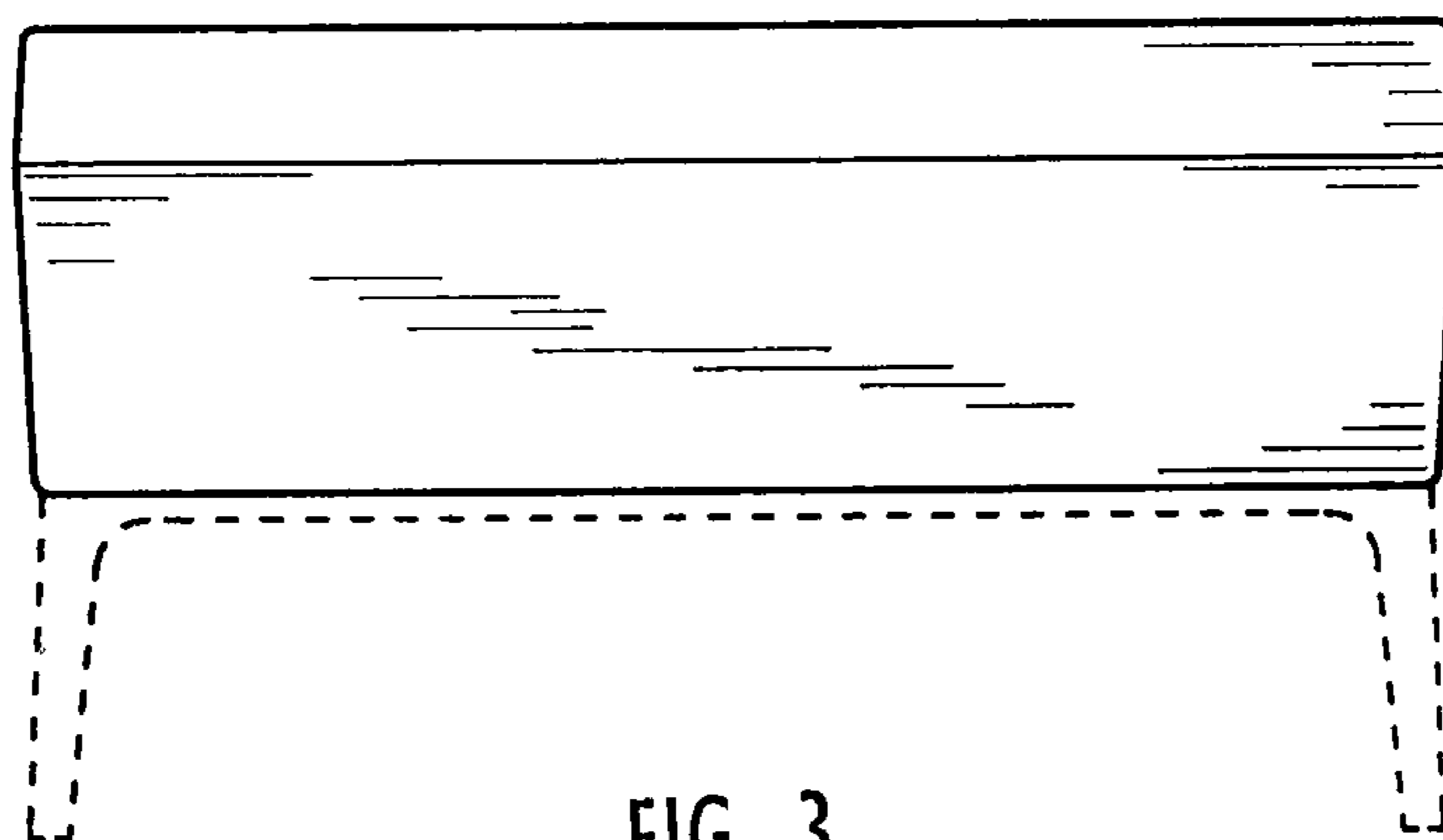


FIG. 3