



US00D685197S

(12) **United States Design Patent**
Soriano et al.

(10) **Patent No.:** **US D685,197 S**
(45) **Date of Patent:** **** Jul. 2, 2013**

- (54) **INFANT JUMPER**
- (71) Applicant: **Kids II, Inc.**, Atlanta, GA (US)
- (72) Inventors: **Alex Soriano**, Atlanta, GA (US); **Jeff Tadin**, Canton, GA (US)
- (73) Assignee: **Kids II, Inc.**, Atlanta, GA (US)
- (**) Term: **14 Years**
- (21) Appl. No.: **29/439,931**
- (22) Filed: **Dec. 17, 2012**

Related U.S. Application Data

- (63) Continuation of application No. 29/369,943, filed on Sep. 15, 2010, now Pat. No. Des. 675,454.
- (51) **LOC (9) Cl.** **06-01**
- (52) **U.S. Cl.**
USPC **D6/347**
- (58) **Field of Classification Search**
USPC D6/500–502, 333–334, 344, 338, D6/374, 379, 386, 347; 297/273–275, 278, 297/16.1, 452.63, 256.16, 277, 259.3; 5/120, 5/122–130; 472/103, 118, 135; 482/69, 77, 482/78, 143; 224/158–161; D21/412, 413–417, D21/823, 828, 814
See application file for complete search history.

(56) **References Cited**

U.S. PATENT DOCUMENTS

2,655,198	A	*	10/1953	Williams et al.	297/274
D189,911	S		3/1961	Berlin		
D193,613	S		9/1962	Hamilton		
D255,180	S		6/1980	Raz		
D292,653	S	*	11/1987	Church et al.	D6/333
D298,779	S	*	11/1988	Shepler	D29/101.1
D302,360	S	*	7/1989	Riehm	D6/333
4,844,452	A		7/1989	Tomosky et al.		
4,948,120	A		8/1990	Krueger et al.		

5,328,410	A		7/1994	Amburgey et al.		
D355,533	S	*	2/1995	Meeker	D6/347
D360,905	S		8/1995	Meeker et al.		
5,499,949	A		3/1996	Heubl		
D376,264	S		12/1996	Cone et al.		
5,690,383	A		11/1997	Meeker		
5,704,882	A		1/1998	Coates et al.		
5,857,944	A		1/1999	Cone et al.		
5,876,311	A		3/1999	Coates et al.		
D439,062	S		3/2001	McGinnis et al.		
6,425,842	B1		7/2002	Stern		
D497,725	S		11/2004	Marmentini		
6,854,799	B1		2/2005	Asback		
6,932,709	B1		8/2005	Gubitosi et al.		
D570,123	S		6/2008	O'Shea		
D576,412	S	*	9/2008	O'Shea	D6/347
7,438,644	B2		10/2008	Gubitosi et al.		
D675,454	S	*	2/2013	Soriano et al.	D6/347

(Continued)

Primary Examiner — Caron D Veynar

Assistant Examiner — Abraham Bahta

(74) *Attorney, Agent, or Firm* — Alston & Bird LLP

(57) **CLAIM**

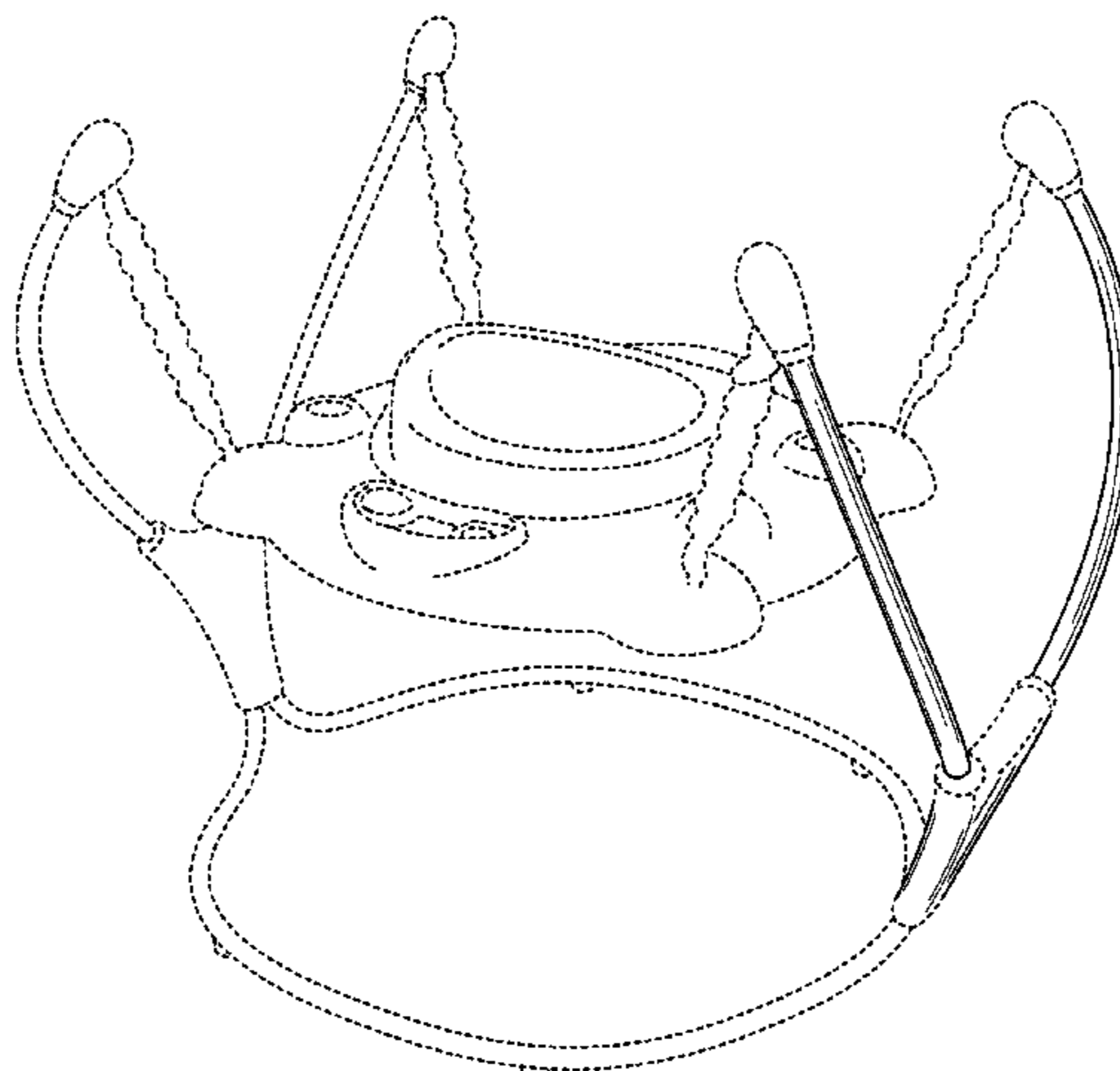
We claim the ornamental design for an infant jumper, as shown and described.

DESCRIPTION

FIG. 1 is a perspective view of an embodiment of an infant jumper showing our new design;
 FIG. 2 is a top plan view thereof;
 FIG. 3 is a front side elevation view thereof;
 FIG. 4 is a rear side view thereof;
 FIG. 5 is a left side elevation view thereof; and,
 FIG. 6 is a right side elevation view thereof.

The broken lines immediately adjacent solid lines represent bounds of the claimed design and environment while all other broken lines are directed to environment and are for illustrative purposes only. The broken lines form no part of the claimed design.

1 Claim, 6 Drawing Sheets



US D685,197 S

Page 2

U.S. PATENT DOCUMENTS

2006/0186716 A1 8/2006 Gubitosi et al.
2007/0040431 A1 2/2007 Bapst et al.

2008/0012409 A1 1/2008 Chen et al.
2009/0033133 A1 2/2009 Barron et al.

* cited by examiner

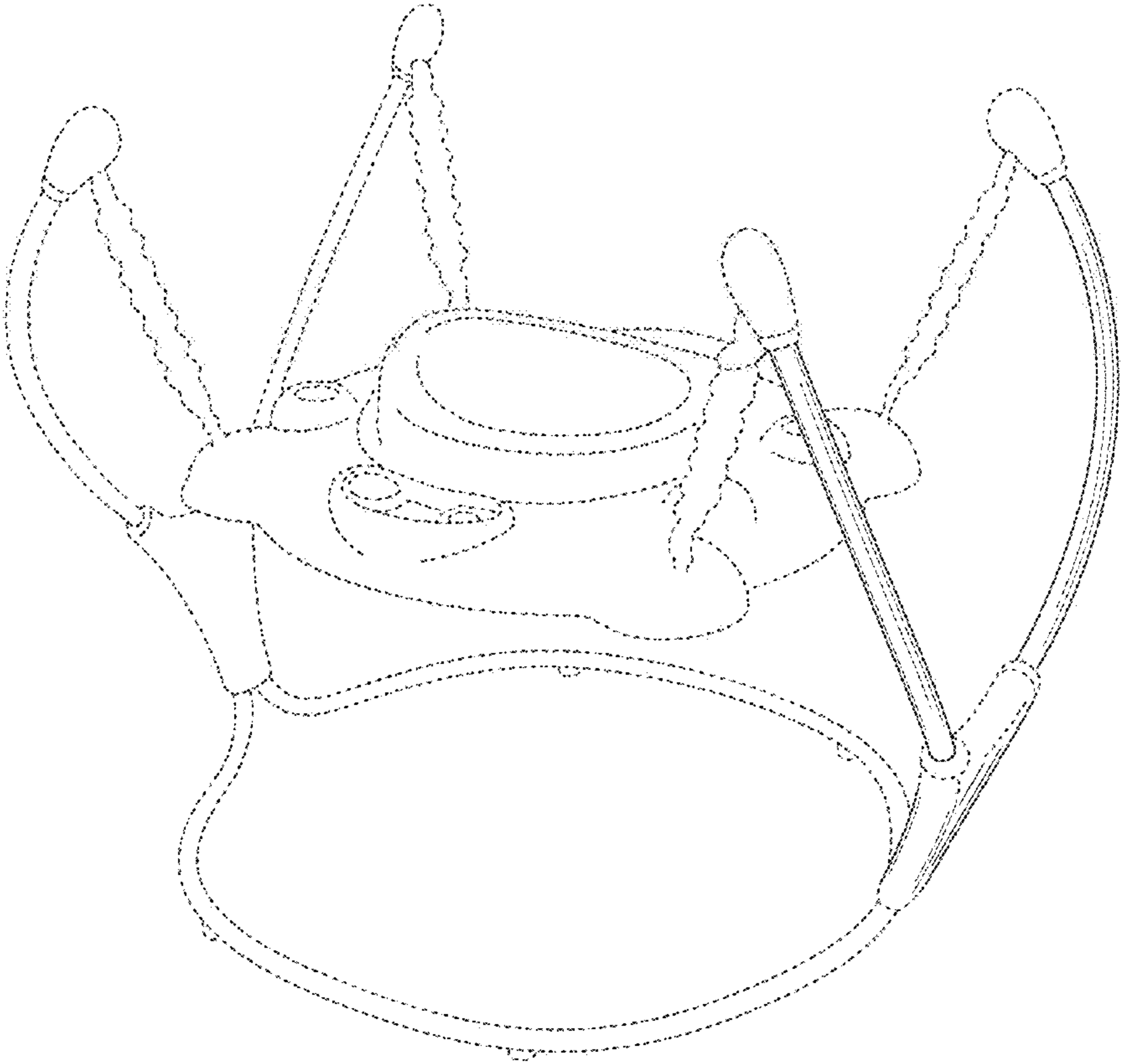


FIG. 1

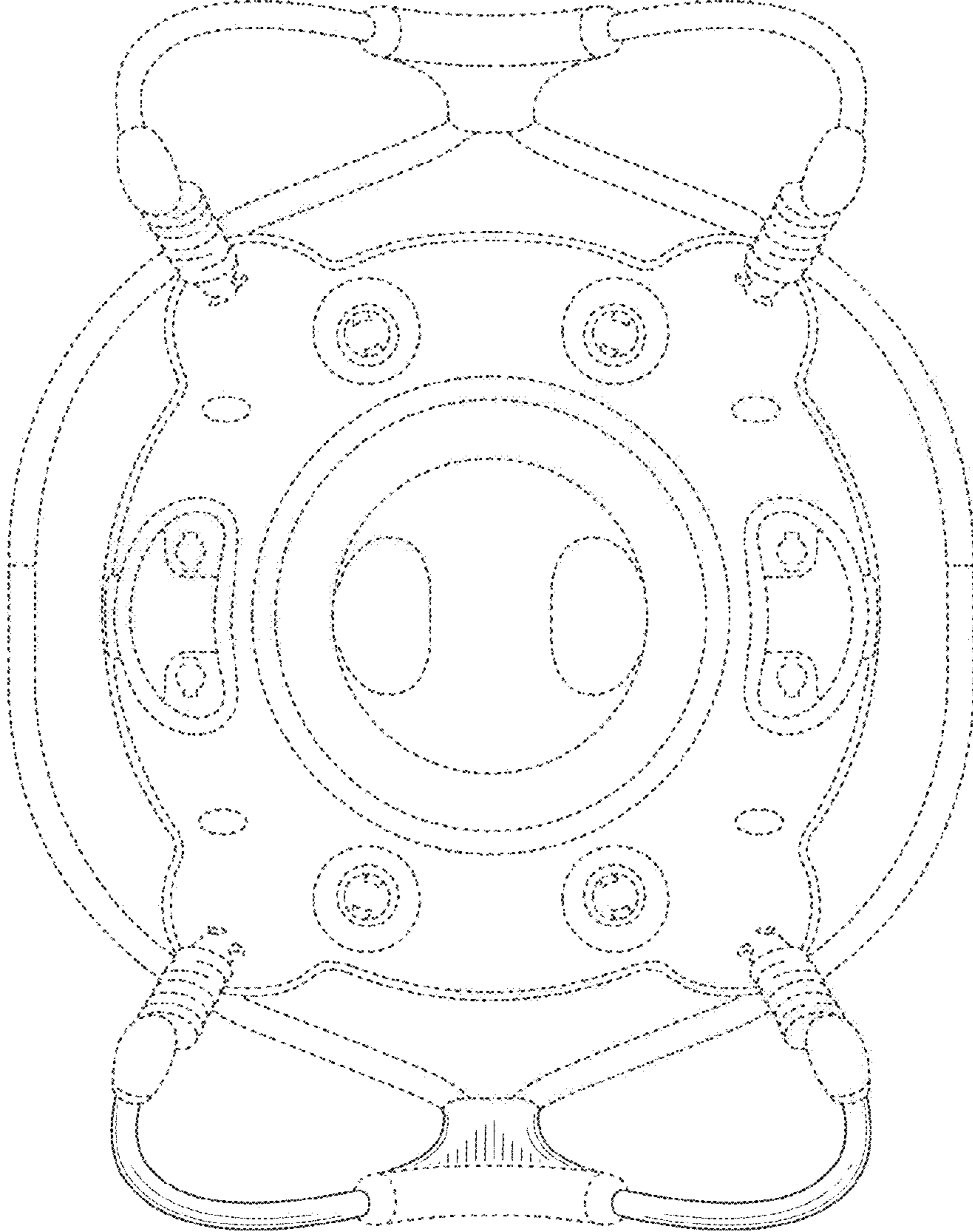


FIG. 2

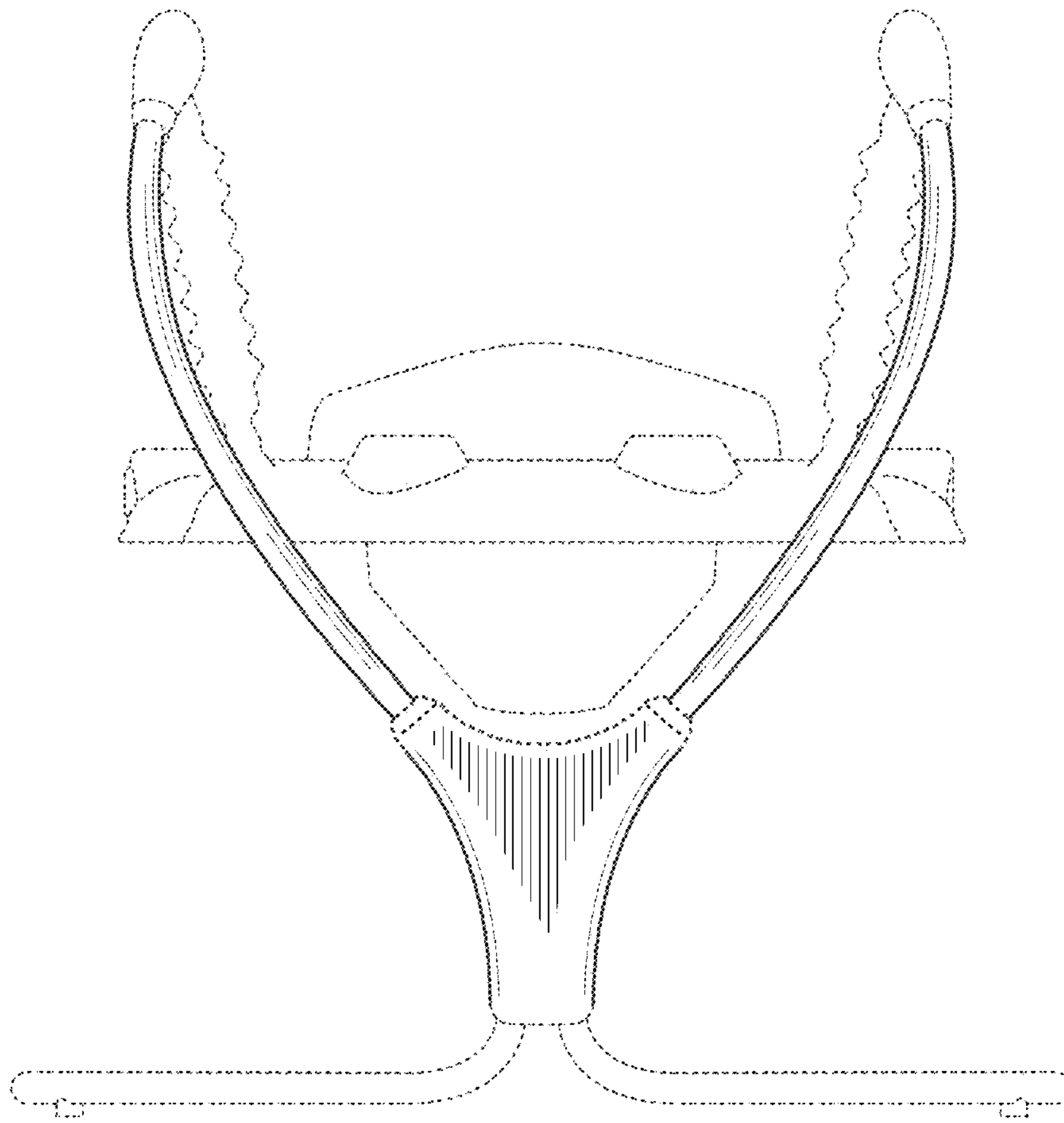


FIG. 3

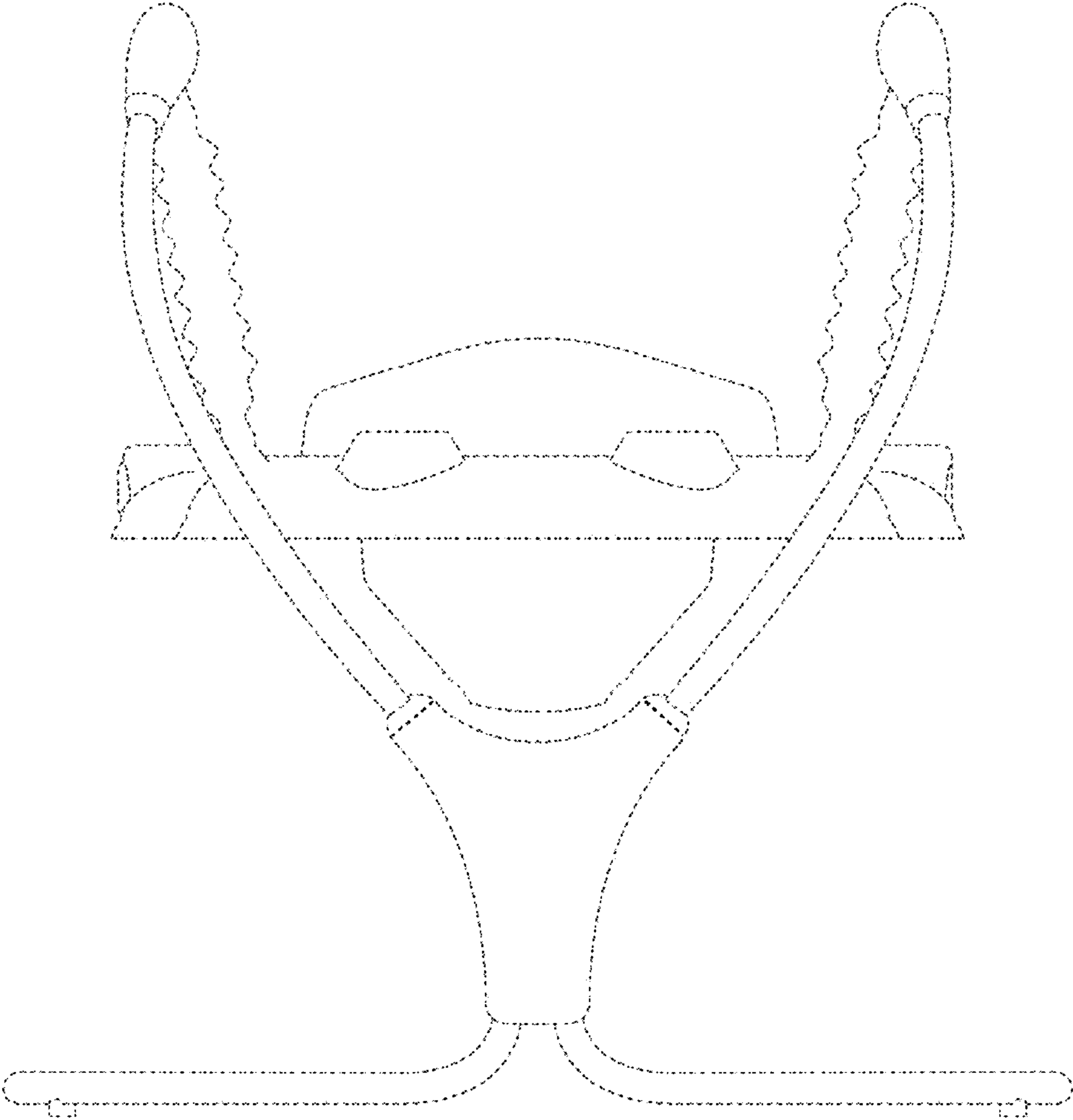


FIG. 4

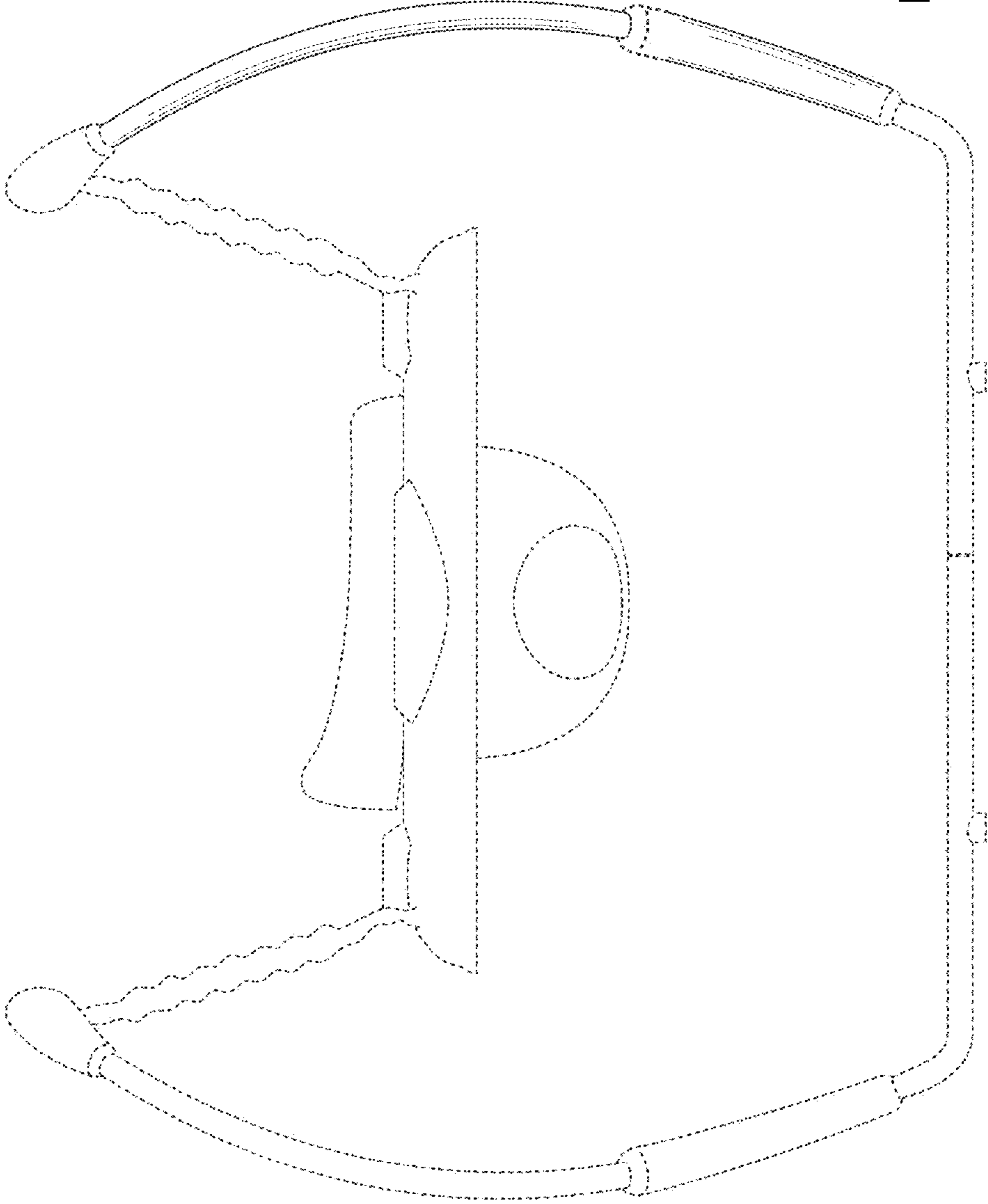


FIG. 5

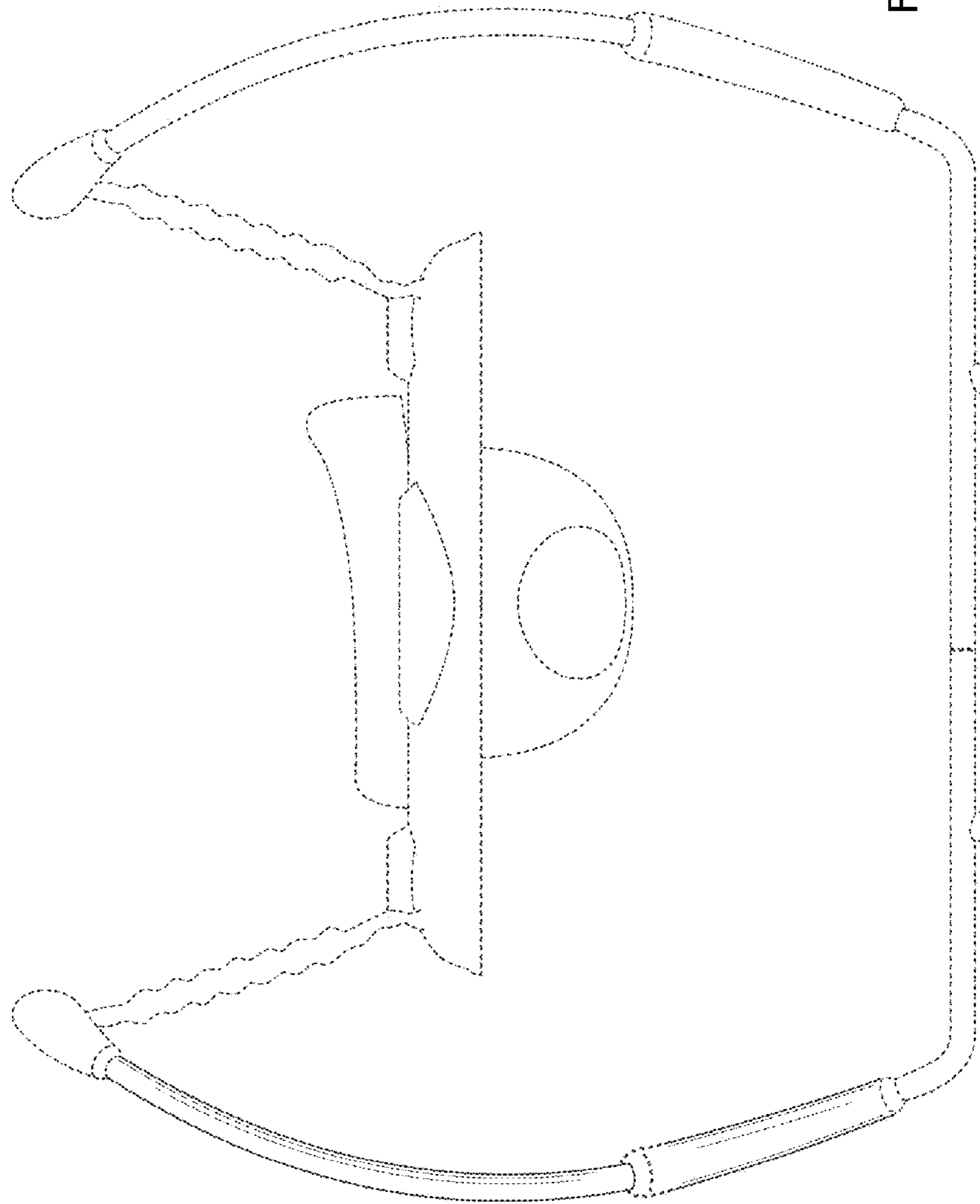


FIG. 6