



US00D685193S

(12) **United States Design Patent**
Kaijun

(10) **Patent No.:** **US D685,193 S**

(45) **Date of Patent:** **** Jul. 2, 2013**

- (54) **BRUSH**
- (75) Inventor: **John Li Kaijun**, Guangzhou (CN)
- (73) Assignee: **Hyde Tools, Inc.**, Southbridge, MA (US)
- (**) Term: **14 Years**
- (21) Appl. No.: **29/391,330**
- (22) Filed: **May 6, 2011**
- (51) **LOC (9) Cl.** **04-99**
- (52) **U.S. Cl.**
USPC **D4/199**
- (58) **Field of Classification Search**
USPC D4/100, 102, 118, 119, 122, 129,
D4/138; D8/107; D32/52; 15/23-27, 106,
15/111, 143.1, 179, 183; 16/430
See application file for complete search history.

5,930,925 A	8/1999	Gringer	
D441,961 S	5/2001	Gringer	
D449,739 S	10/2001	Gringer	
D454,000 S	3/2002	Gringer	
D480,219 S *	10/2003	Mastroianni	D4/138
6,695,413 B1 *	2/2004	Barwick	300/21
D555,362 S *	11/2007	Arvinte	D4/130
D637,006 S *	5/2011	Marsden et al.	D4/199
D658,895 S *	5/2012	Pottes et al.	D4/199

* cited by examiner

Primary Examiner — Austin Murphy

(74) *Attorney, Agent, or Firm* — Andrew F. Young, Esq.;
Lackebach Siegel, LLP

(57) **CLAIM**

The ornamental design for a brush, as shown and described.

DESCRIPTION

FIG. 1 is a front perspective view of a first embodiment of the invention.

FIG. 2 is a top plan view of FIG. 1.

FIG. 3 is a bottom plan view of FIG. 1.

FIG. 4 is a front elevation view of FIG. 1.

FIG. 5 is a rear elevation view of FIG. 1.

FIG. 6 is a left side elevation view of FIG. 1; and,

FIG. 7 is a right side elevation view of FIG. 1.

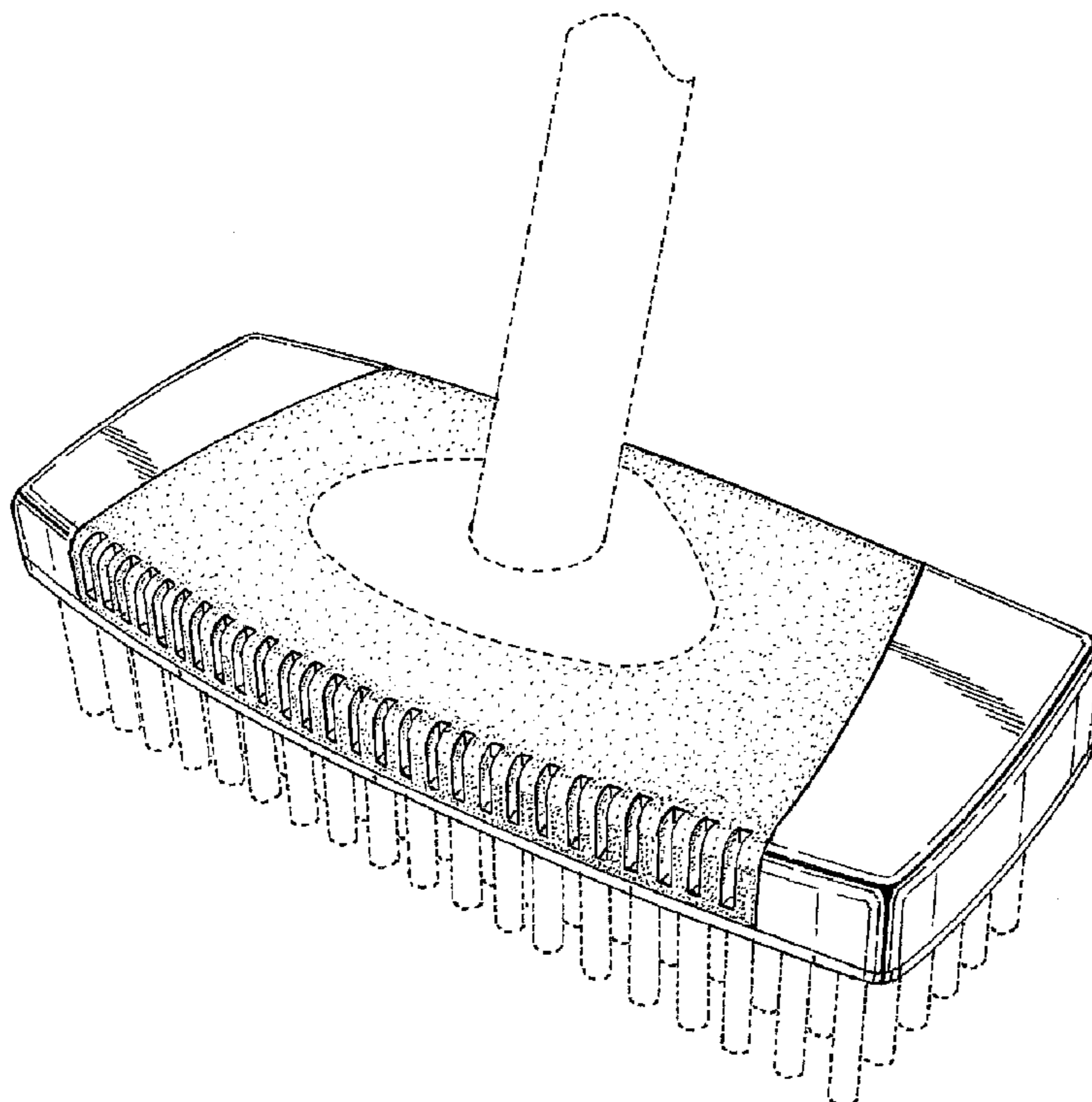
The dashed lines in FIGS. 1- 7 are for illustrative purposes only and form no part of the claimed design. The projecting dashed pole member, dashed bristles, dashed threads and dashed hole are for purposes of illustration only and form no part of the claimed ornamental invention.

1 Claim, 5 Drawing Sheets

(56) **References Cited**

U.S. PATENT DOCUMENTS

D29,883 S *	12/1898	Fox	D4/130
1,028,547 A *	6/1912	Copeland	15/145
1,152,461 A	9/1915	Wright	
D99,111 S *	3/1936	Bickel	D4/132
2,317,123 A	4/1943	Warp	
2,489,707 A	11/1949	Eubanks	
3,093,855 A *	6/1963	Stevens	15/160
3,787,922 A	1/1974	Foy et al.	
3,797,795 A	3/1974	Hemgren	
5,522,164 A	6/1996	Fallon	
D375,842 S	11/1996	Gringer	
D378,959 S	4/1997	Gringer	
5,649,621 A	7/1997	Brody	



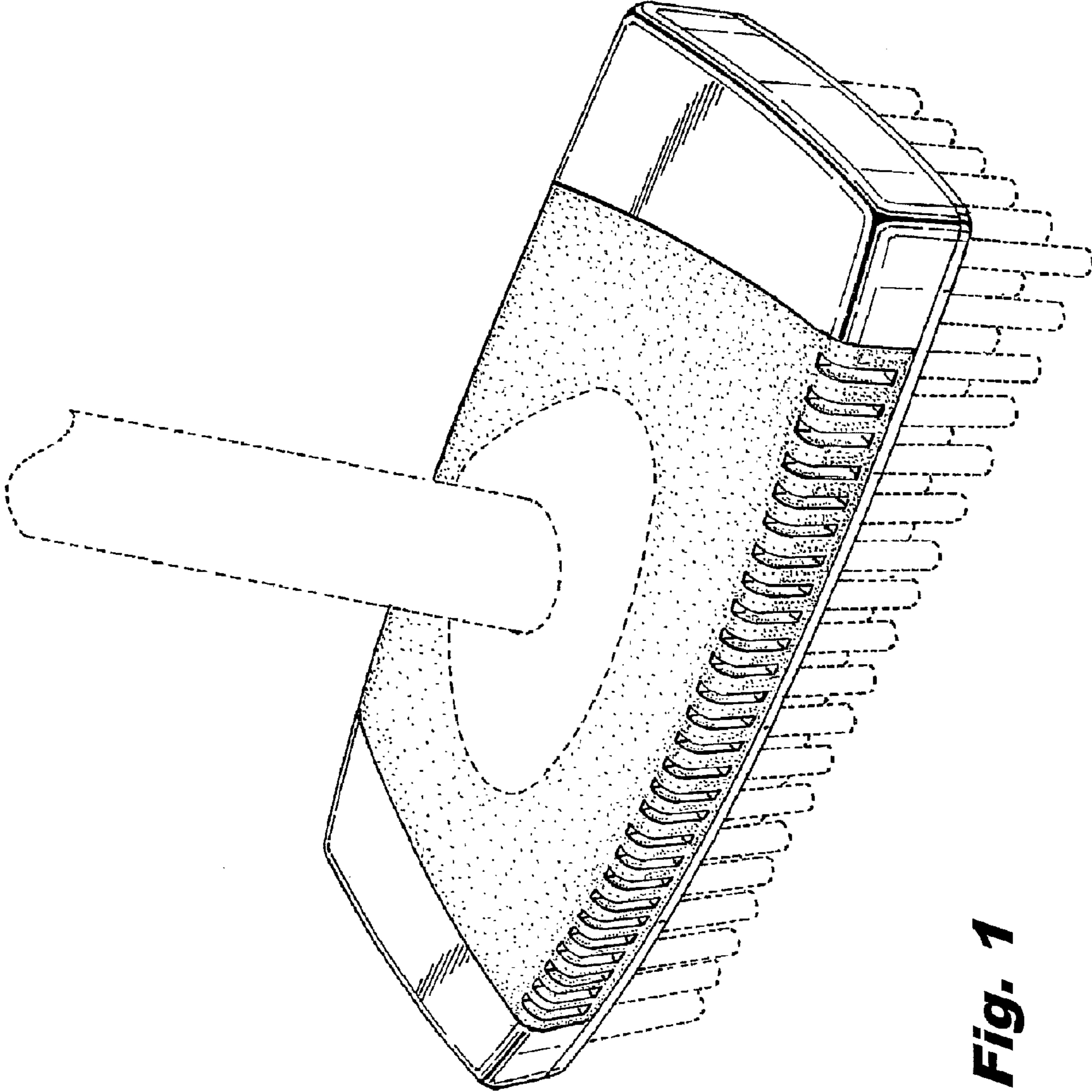


Fig. 1

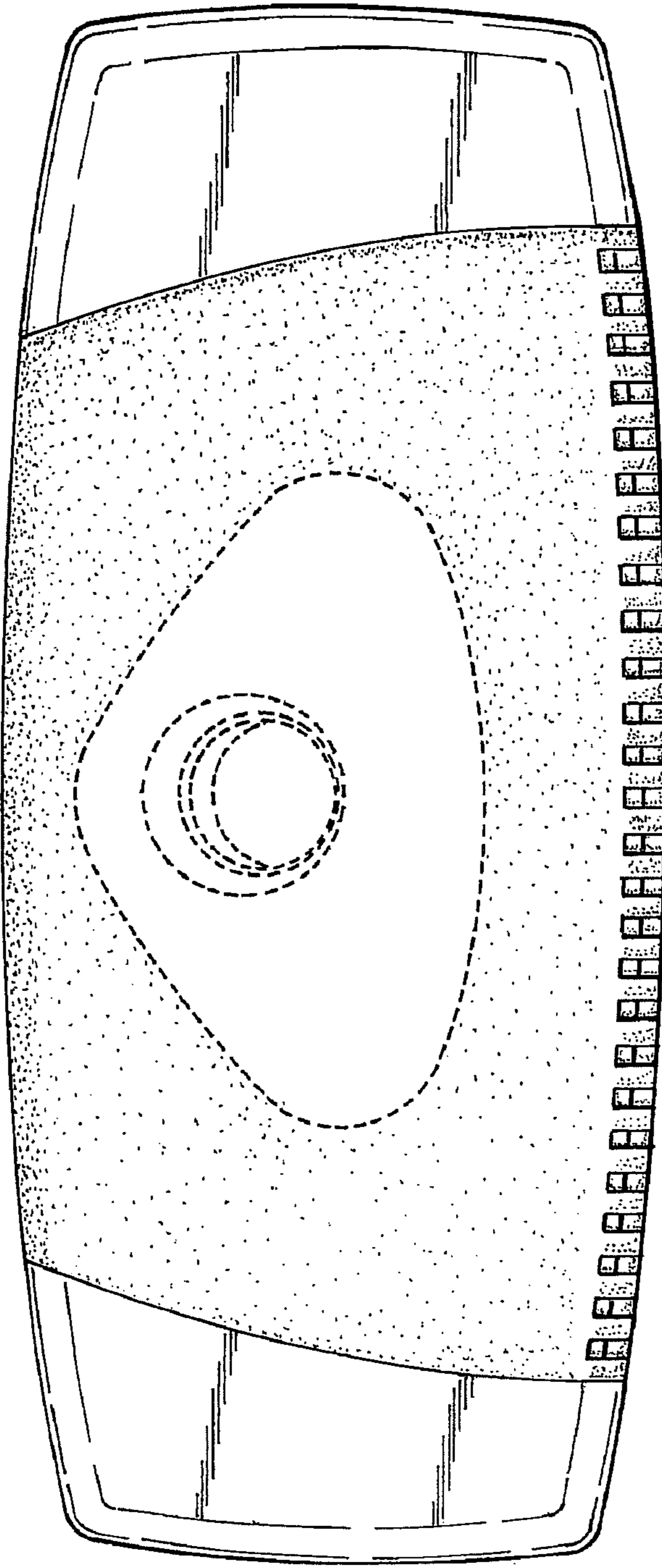


Fig. 2

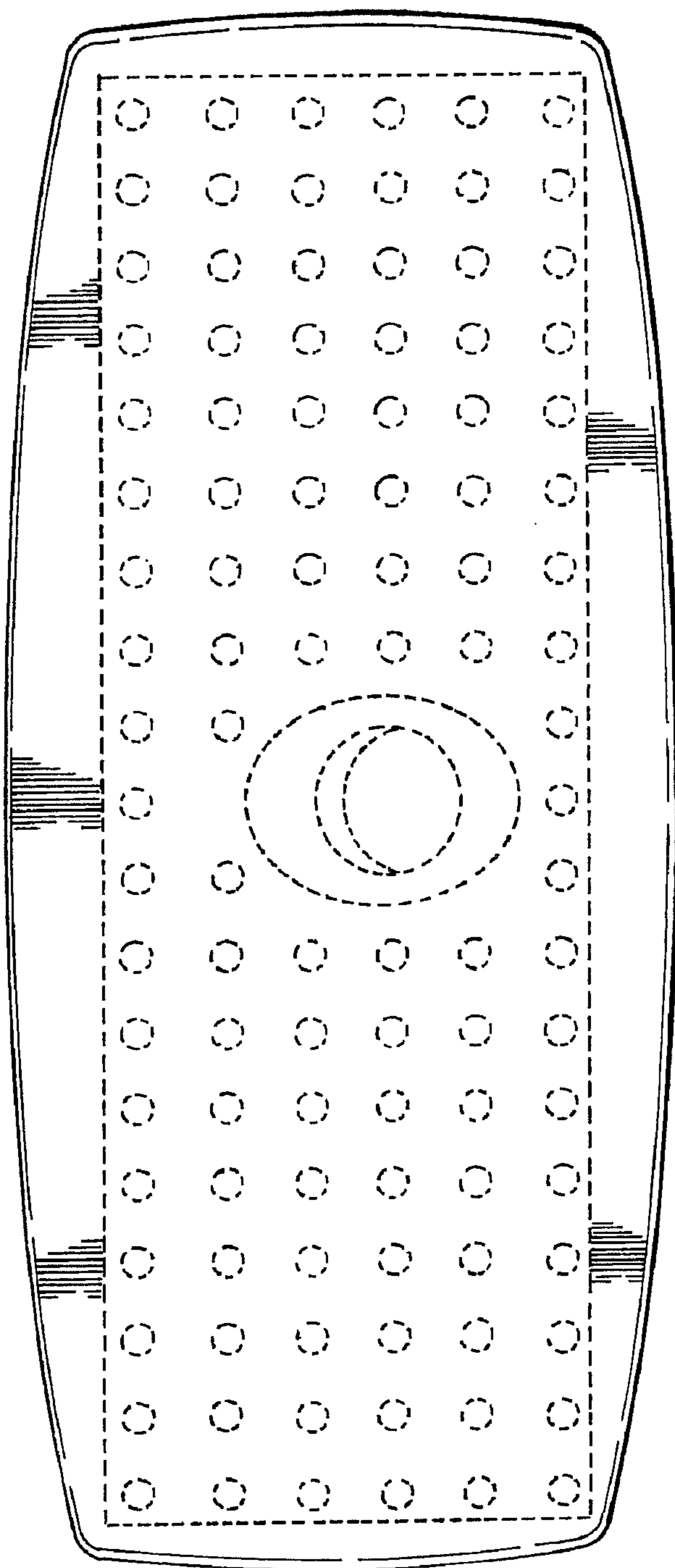


Fig. 3

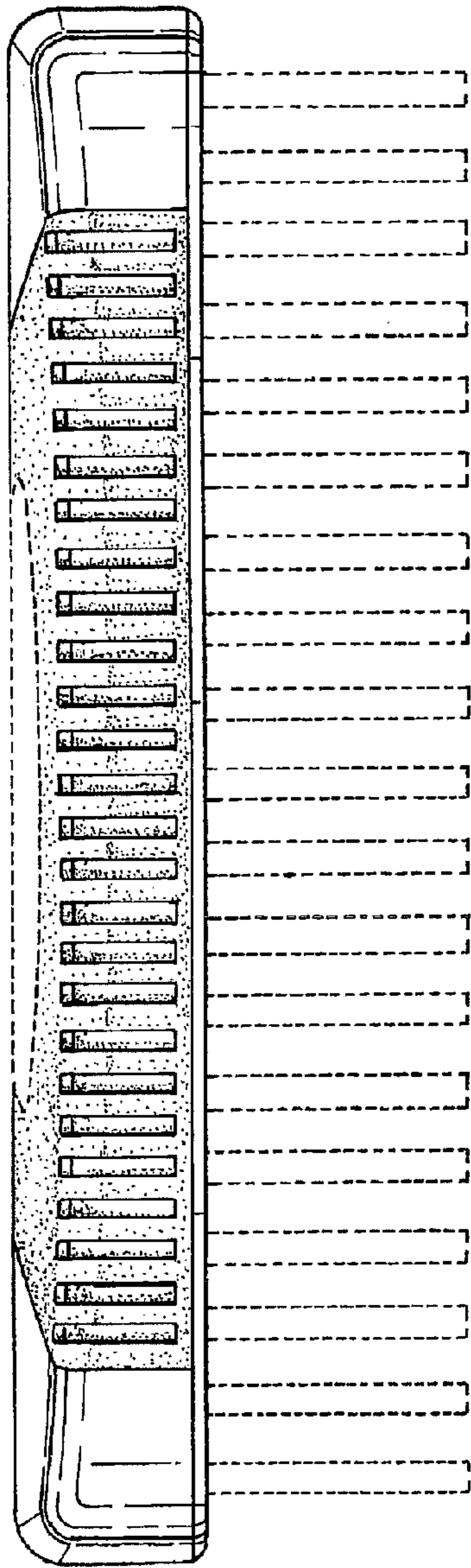


Fig. 4

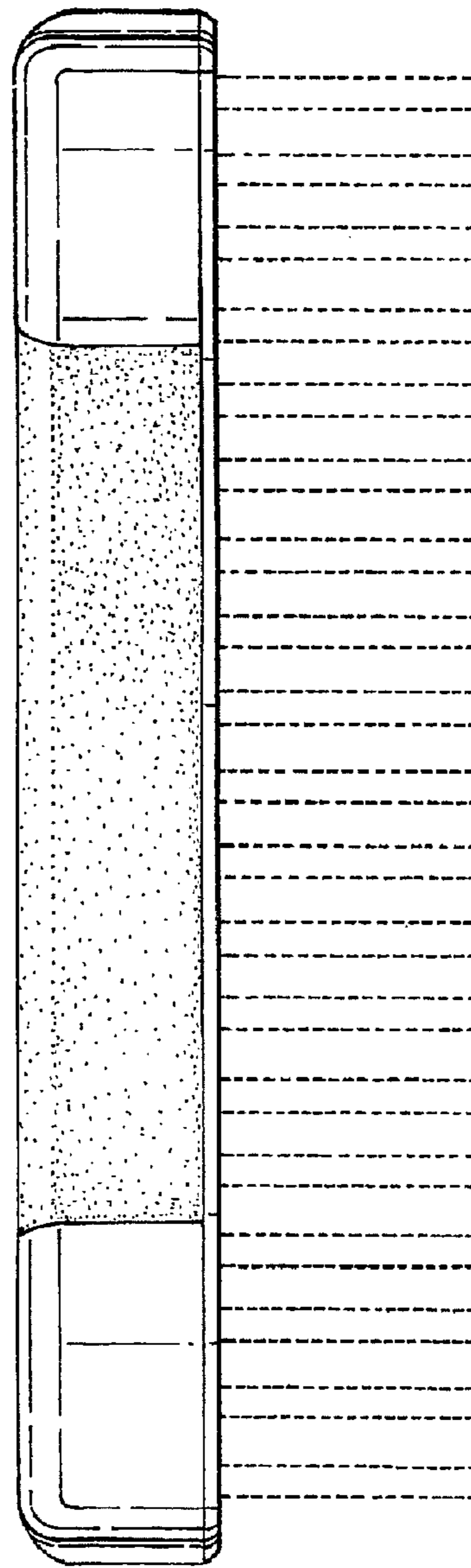


Fig. 5

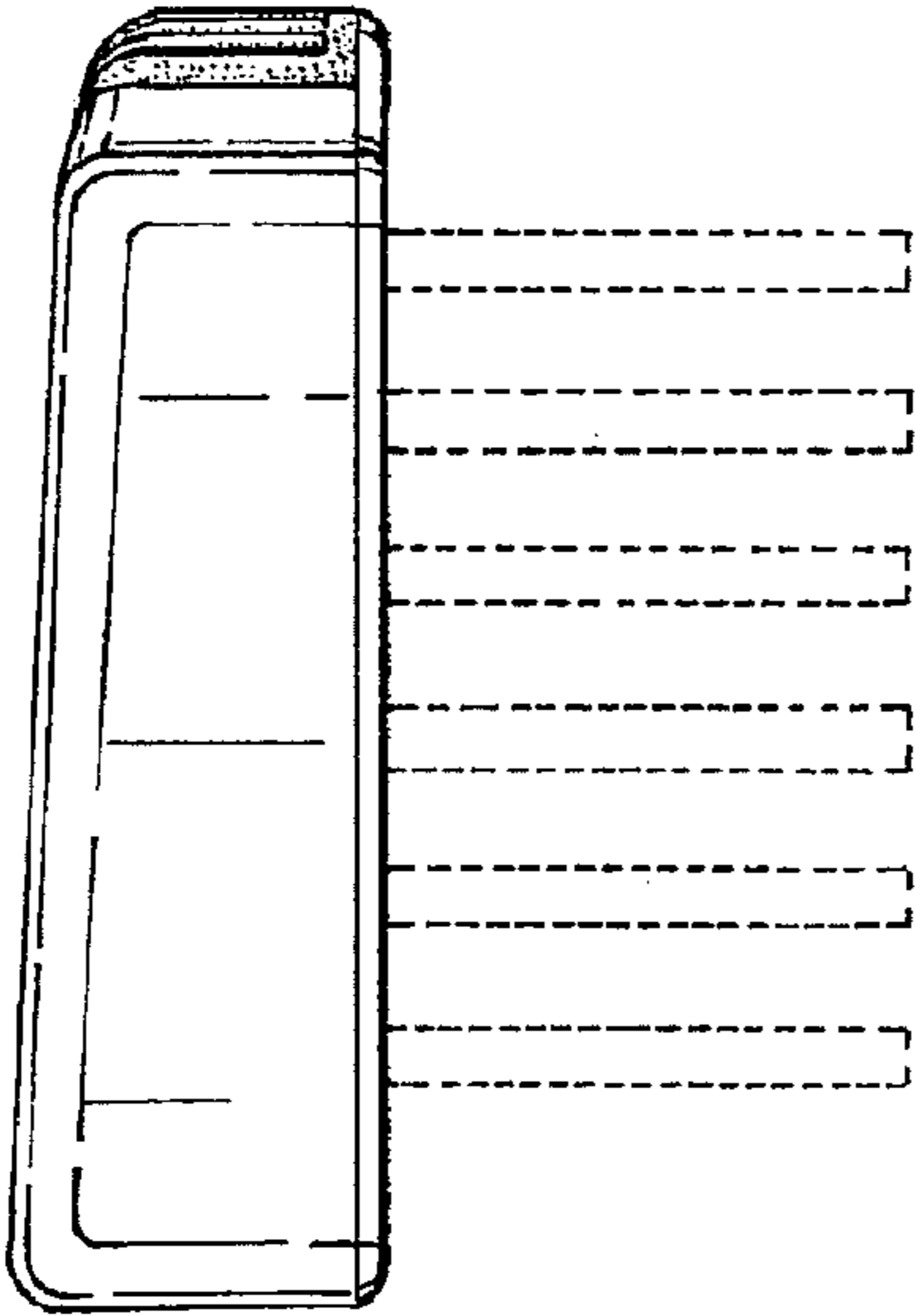


Fig. 6

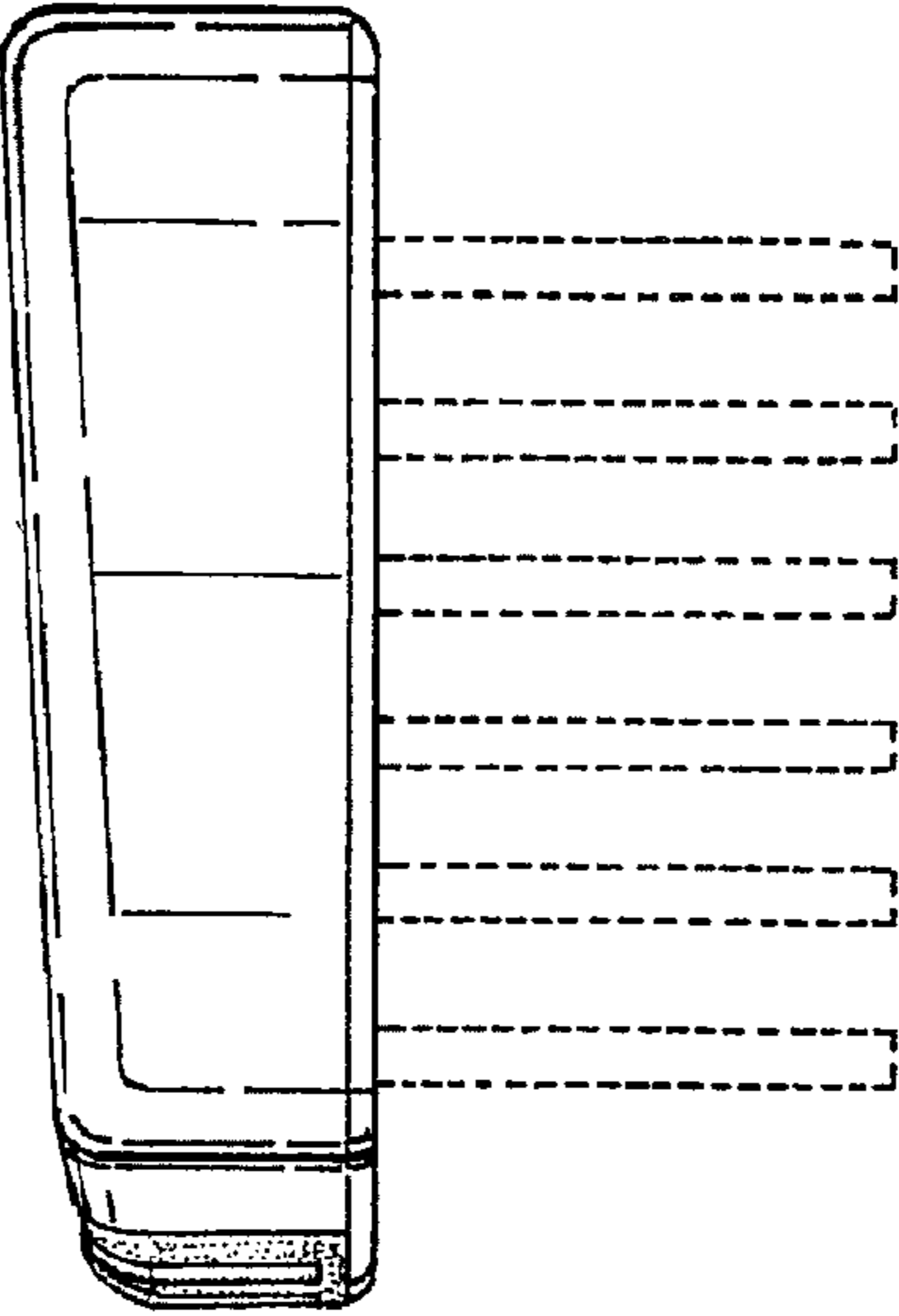


Fig. 7