



US00D685191S

(12) **United States Design Patent**
Martin et al.

(10) **Patent No.:** **US D685,191 S**
(45) **Date of Patent:** **** Jul. 2, 2013**

(54) **MAKEUP BRUSH**

(75) Inventors: **Carol Martin**, Atlanta, GA (US); **Art Harris**, Atlanta, GA (US)

(73) Assignee: **Worth Beauty, LLC**, Richmond, VA (US)

(*) Notice: This patent is subject to a terminal disclaimer.

(**) Term: **14 Years**

(21) Appl. No.: **29/412,614**

(22) Filed: **Feb. 6, 2012**

(51) **LOC (9) Cl.** **04-02**

(52) **U.S. Cl.**
USPC **D4/138; D4/127**

(58) **Field of Classification Search**
USPC D4/127, 128, 131-138; D7/393, D7/395, 401.2; D8/45, 80, 82, 83, 94, 107, D8/303, DIG. 7, DIG. 8; D28/7, 46, 48, 63; D32/51, 52; 15/143.1, 159.1, 160, 186-188, 15/191.1-194; 16/110.1, 430; 30/340, 342, 30/343; 81/177.1, 489, 492; 132/286, 289, 132/290, 313, 317, 320
See application file for complete search history.

(56) **References Cited**

U.S. PATENT DOCUMENTS

D20,006 S *	7/1890	Lessard	D4/135
D94,534 S *	2/1935	Bowker et al.	D4/127
D394,353 S *	5/1998	Berti	D4/138
D458,761 S *	6/2002	Mason et al.	D4/135
D556,009 S *	11/2007	Settles	D8/107

FOREIGN PATENT DOCUMENTS

TW D131817 S * 11/2009

OTHER PUBLICATIONS

EM 291562-0005 Registered Design Application, (Shun-I Cheng) Apr. 5, 2005, [online], [retrieved on Jun. 21, 2012] Retrieved from the Community Design Database of the Office for Harmonization in the Internal Market using the Internet: <URL: http://oami.europa.eu>.*
FR 976908 Registered Design Application, (Fuchs Vitrac) Mar. 20, 1998, [online], [retrieved on Jun. 30, 2012] Retrieved from the Design Database of the Institut National de la Propriété Industrielle using the Internet: <http://bases-modeles.inpi.fr>.*

* cited by examiner

Primary Examiner — Melanie H Tung
Assistant Examiner — Lavone D Tabor

(74) *Attorney, Agent, or Firm* — Brient Intellectual Property Law, LLC

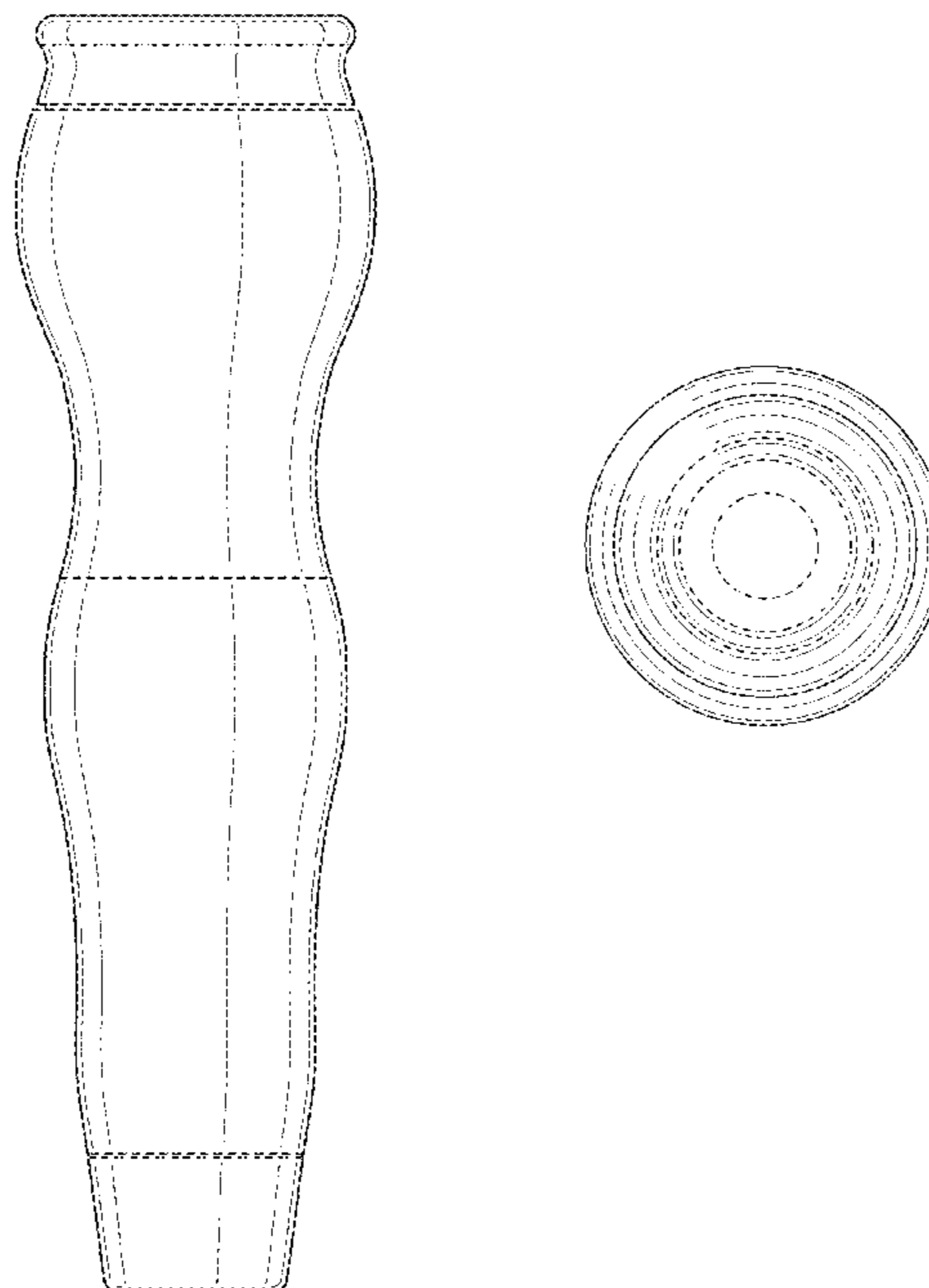
(57) **CLAIM**

The ornamental design for a makeup brush, as shown and described.

DESCRIPTION

FIG. 1 is a perspective view of a makeup brush according to the present design.
FIG. 2 is a front side elevational view of the makeup brush of FIG. 1, the makeup brush being radially symmetrical about its longitudinal axis.
FIG. 3 is a top plan view of the makeup brush of FIG. 1; and, FIG. 4 is a bottom plan view of the makeup brush of FIG. 1. The broken lines shown in FIGS. 1 through 4 illustrate portions of the makeup brush that form no part of the claimed design.

1 Claim, 3 Drawing Sheets



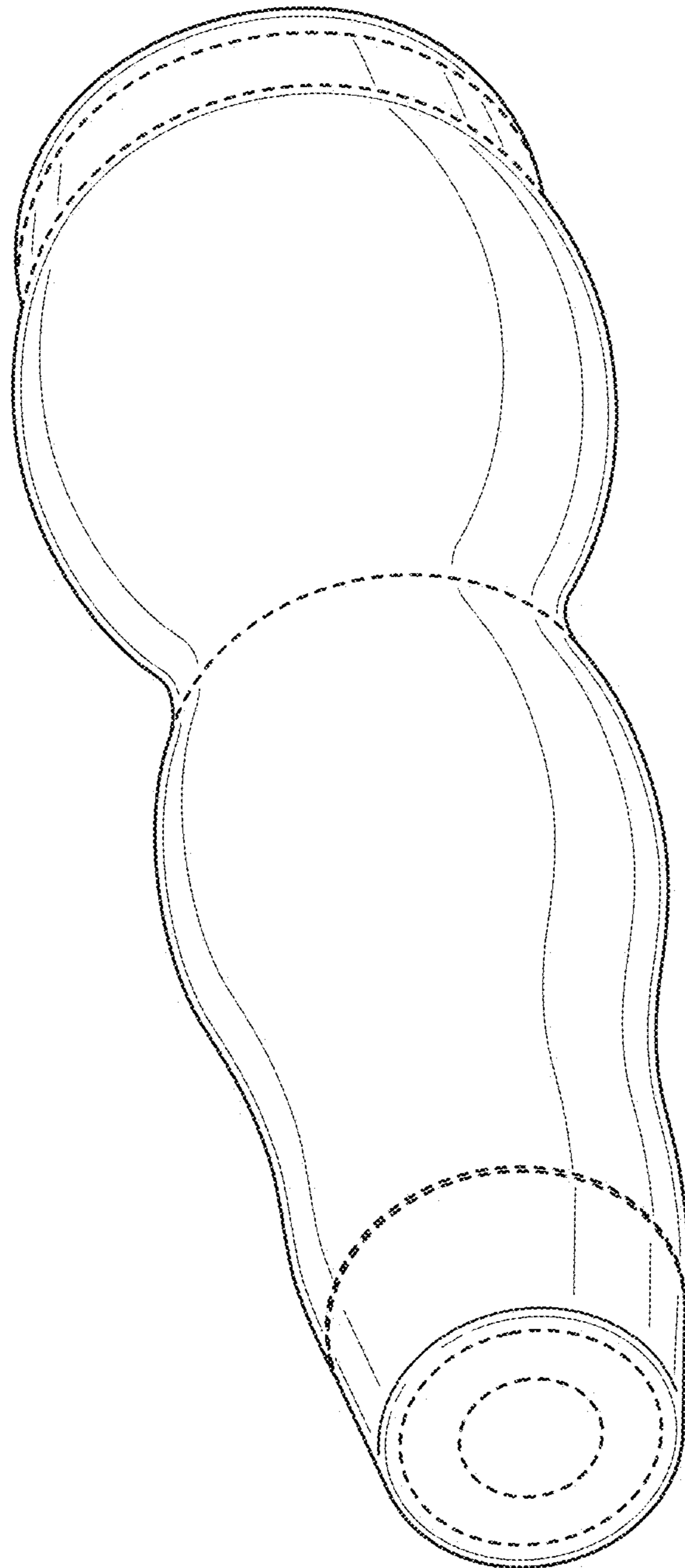


FIG. 1

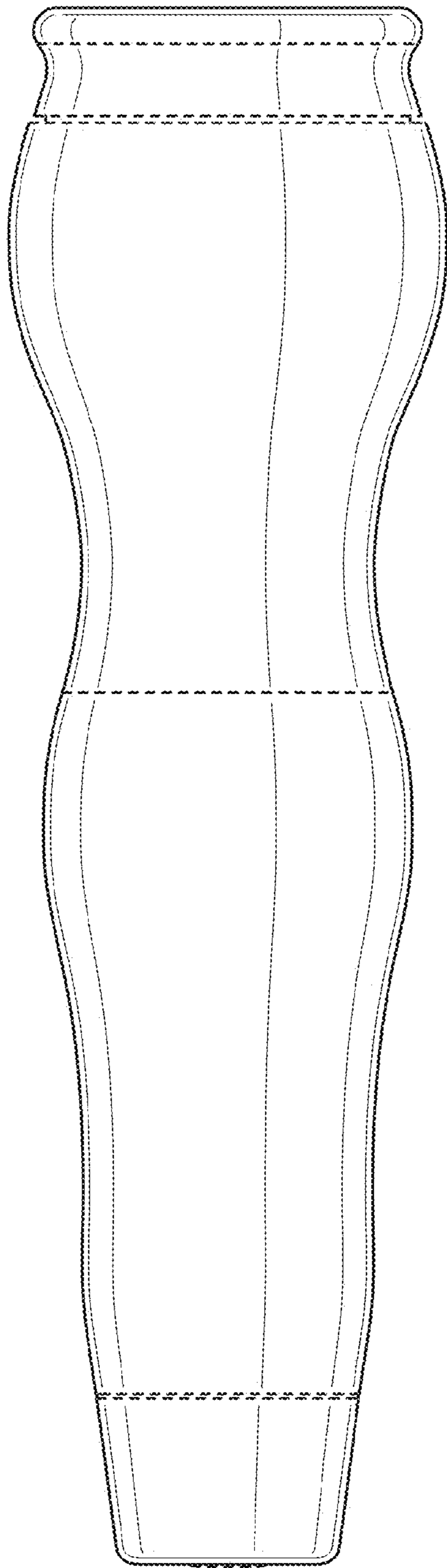


FIG. 2

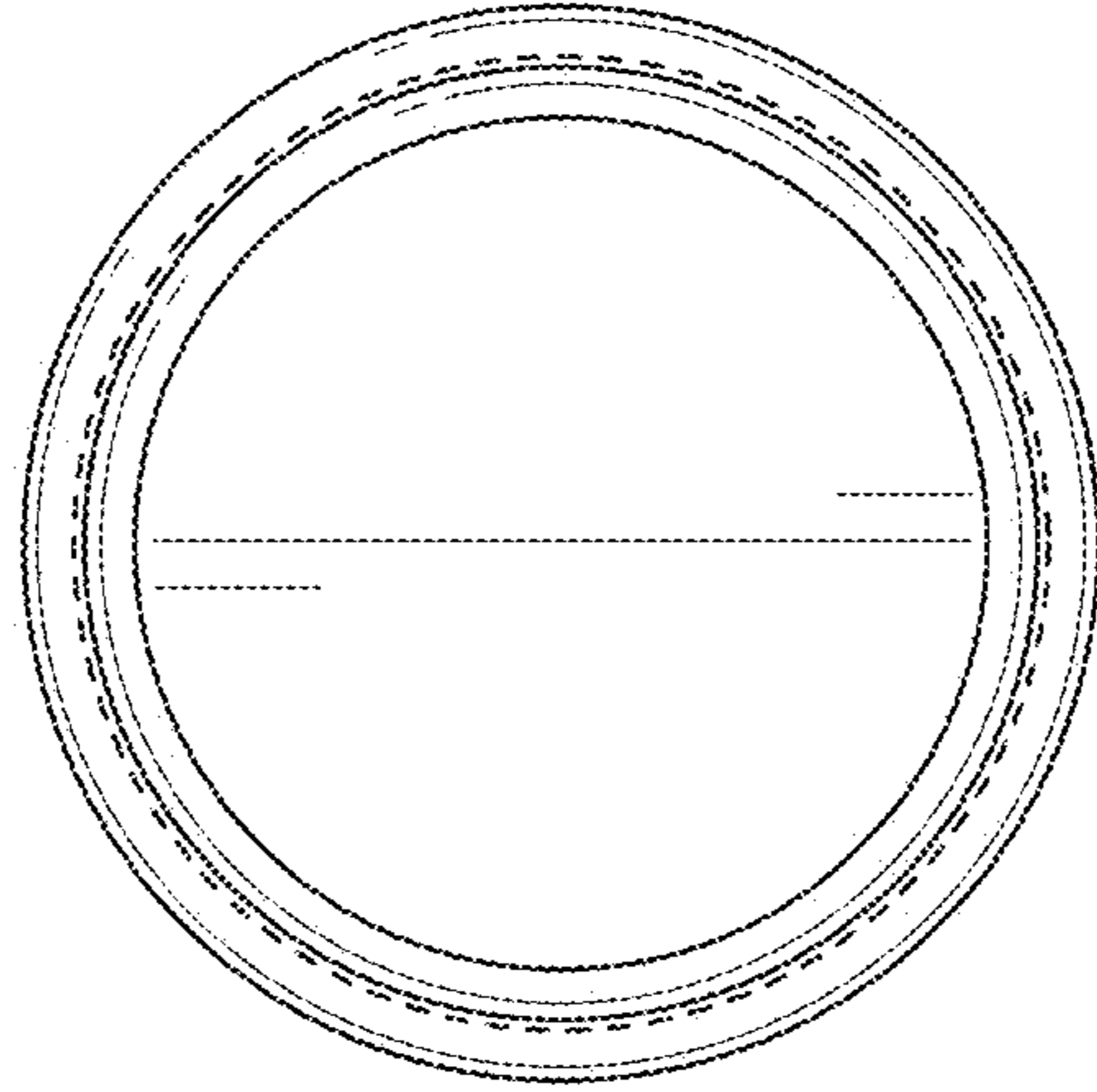


FIG. 3

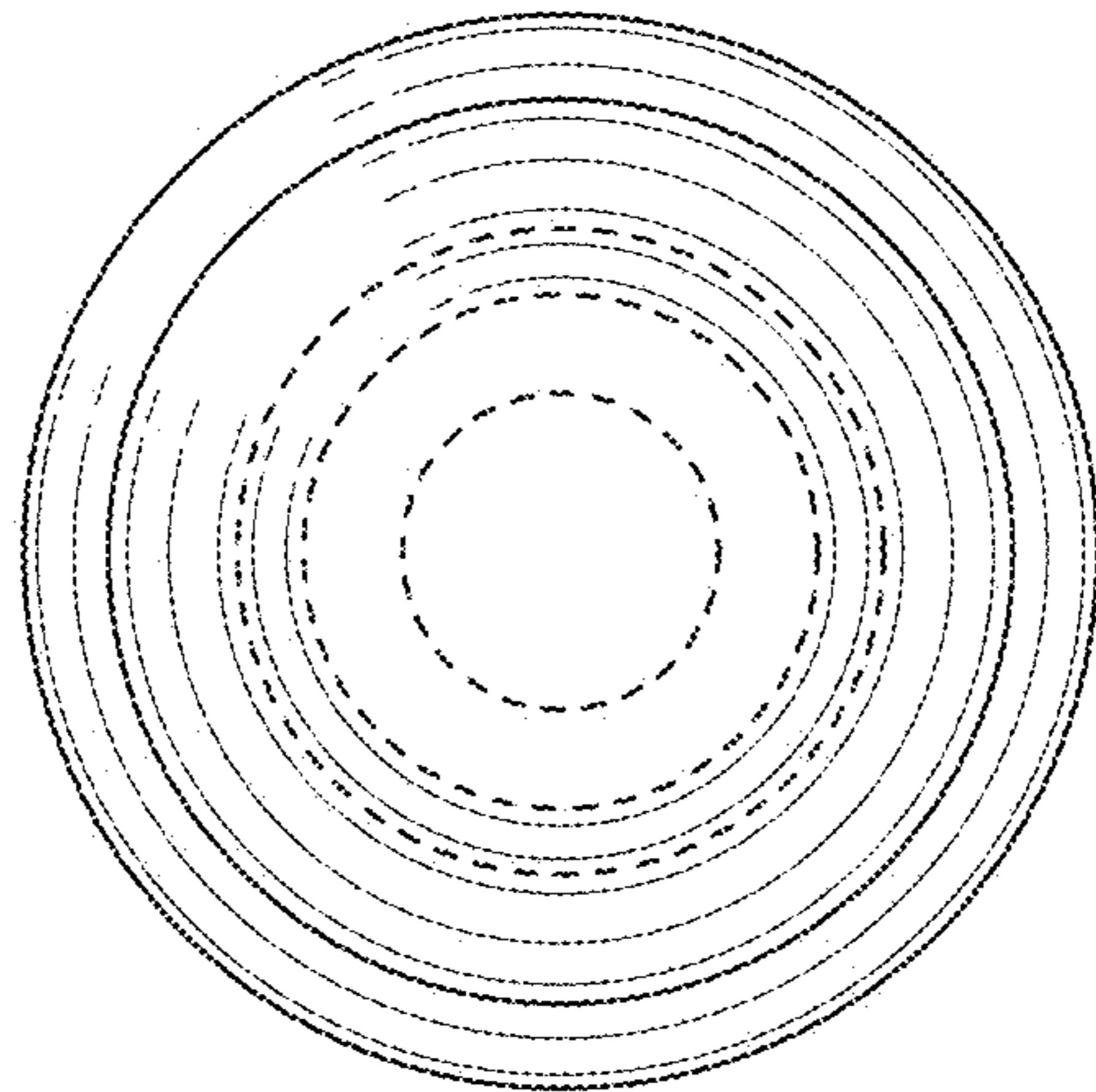


FIG. 4