



US00D685183S

(12) **United States Design Patent**
Greenfield

(10) **Patent No.:** **US D685,183 S**

(45) **Date of Patent:** **** Jul. 2, 2013**

(54) **PURSE**

(76) **Inventor:** **Shannon D. Greenfield**, North Las Vegas, NV (US)

(**) **Term:** **14 Years**

(21) **Appl. No.:** **29/423,451**

(22) **Filed:** **May 31, 2012**

(51) **LOC (9) Cl.** **03-01**

(52) **U.S. Cl.**
USPC **D3/238; D3/234**

(58) **Field of Classification Search**
USPC D3/234, 238; 150/100, 103-110,
150/112-114, 117-119
See application file for complete search history.

(56) **References Cited**

U.S. PATENT DOCUMENTS

3,866,647	A	*	2/1975	Tarkowski	150/104
D245,814	S	*	9/1977	Ross	D3/238
D263,648	S	*	4/1982	Schimmel	D3/238
D316,328	S	*	4/1991	Willoughby	D3/238
D451,668	S	*	12/2001	Lewis	D3/243
D495,876	S	*	9/2004	Matthews et al.	D3/238

D535,473 S * 1/2007 Hill D3/238

* cited by examiner

Primary Examiner — Holly Baynham

(74) *Attorney, Agent, or Firm* — QuickPatents; Kevin Prince

(57) **CLAIM**

I claim the ornamental design for a purse, as shown and described.

DESCRIPTION

FIG. 1 is a perspective view of a purse, showing my new design;

FIG. 2 is an exploded perspective view thereof, illustrating an inside surface of a length of trim attachable with a hook-and-loop type fastener to the purse;

FIG. 3 is a front elevational view thereof;

FIG. 4 is a right-side elevational view thereof;

FIG. 5 is a left-side elevational view thereof;

FIG. 6 is a rear elevational view thereof;

FIG. 7 is a top plan view thereof; and,

FIG. 8 is a bottom plan view thereof.

The broken lines showing a charms on a chain in FIGS. 1 and 2 depict environmental matter and form no part of the claimed design. The remaining broken lines represent stitching, and are part of the claimed design.

1 Claim, 3 Drawing Sheets

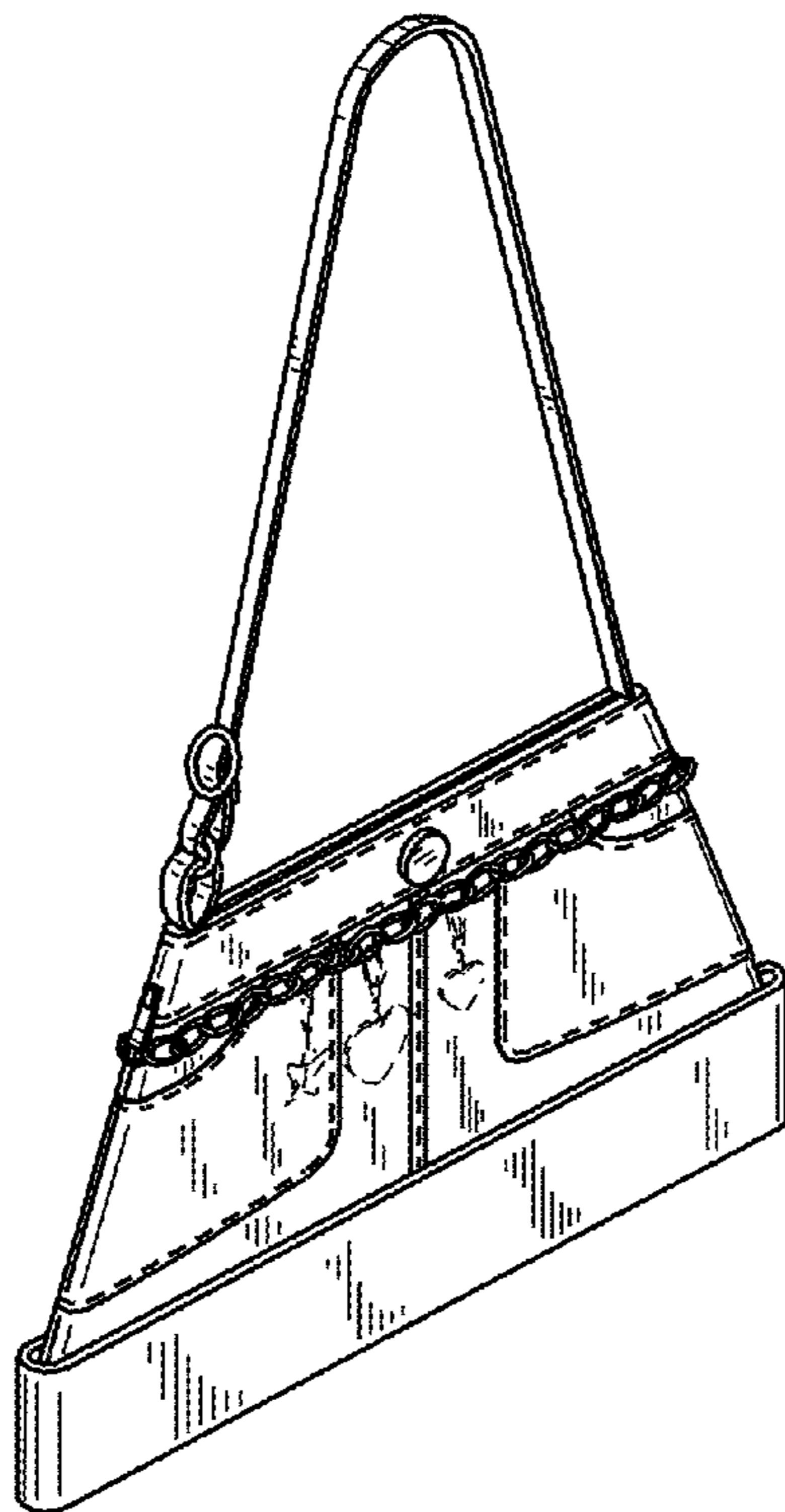




FIG. 1

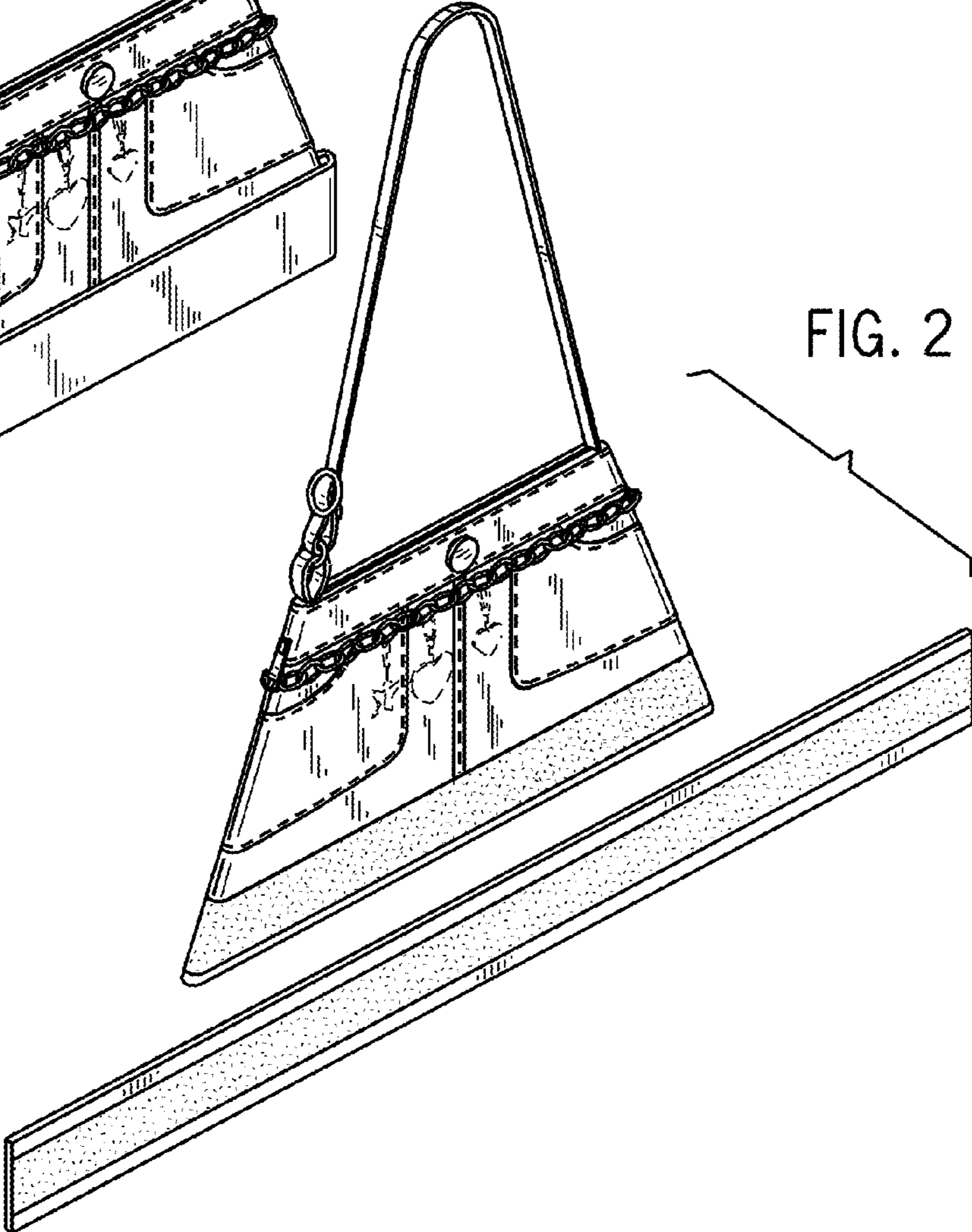


FIG. 2

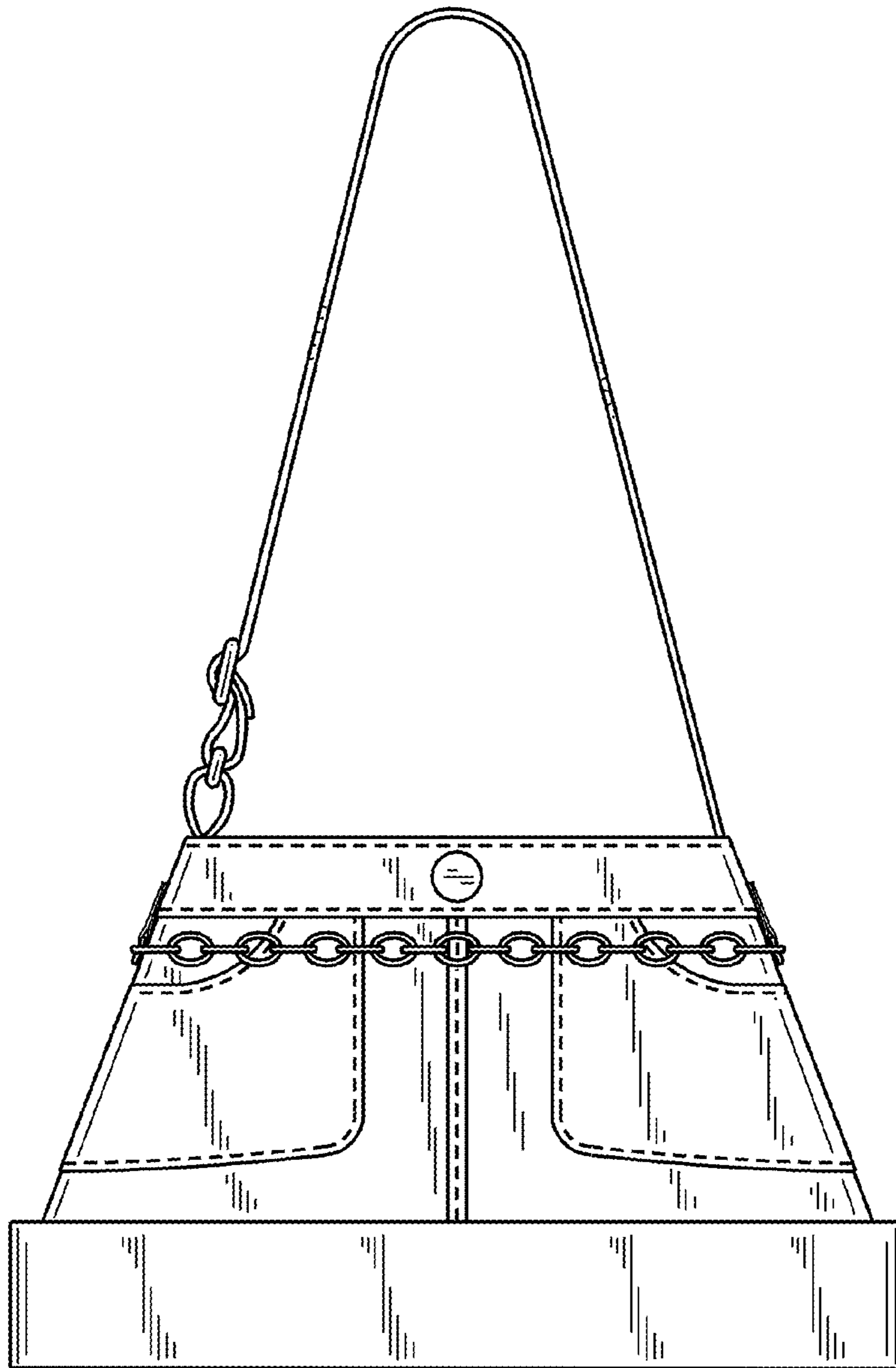


FIG. 3

FIG. 4



FIG. 5



