



US00D685181S

(12) **United States Design Patent**
Burns

(10) **Patent No.:** **US D685,181 S**

(45) **Date of Patent:** **** Jul. 2, 2013**

- (54) **BAG**
- (76) Inventor: **Lisa M. Burns**, Tualatin, OR (US)
- (**) Term: **14 Years**
- (21) Appl. No.: **29/415,922**
- (22) Filed: **Mar. 15, 2012**
- (51) **LOC (9) Cl.** **03-01**
- (52) **U.S. Cl.**
USPC **D3/232**
- (58) **Field of Classification Search**
USPC D3/232-233, 240-246; 150/100,
150/103-110, 113-114, 117-119
See application file for complete search history.

Procedure, Sep. 11, 2005 (webpage: ted.europa.eu/udl?uri=TED:NOTICE:212270-2005:TEXT:FR:HTML&tabId=1); retrieved Sep. 5, 2012.

* cited by examiner

Primary Examiner — Holly Baynham

(74) *Attorney, Agent, or Firm* — Schwabe, Williamson & Wyatt

(57) **CLAIM**

I claim an ornamental design for the bag, as shown and described.

DESCRIPTION

FIG. 1 is a perspective view of the bag, showing my new design;
 FIG. 2 is a rear view thereof;
 FIG. 3 is a front view thereof;
 FIG. 4 is a right side view thereof;
 FIG. 5 is a left side view thereof;
 FIG. 6 is a top view thereof;
 FIG. 7 is a bottom view thereof;
 FIG. 8 is a perspective view with front flap open; and,
 FIG. 9 is a left side view with rear pouch open.
 The broken lines showing elements of the bag are for the purposes of illustrating environment and form no part of the claimed design.

(56) **References Cited**

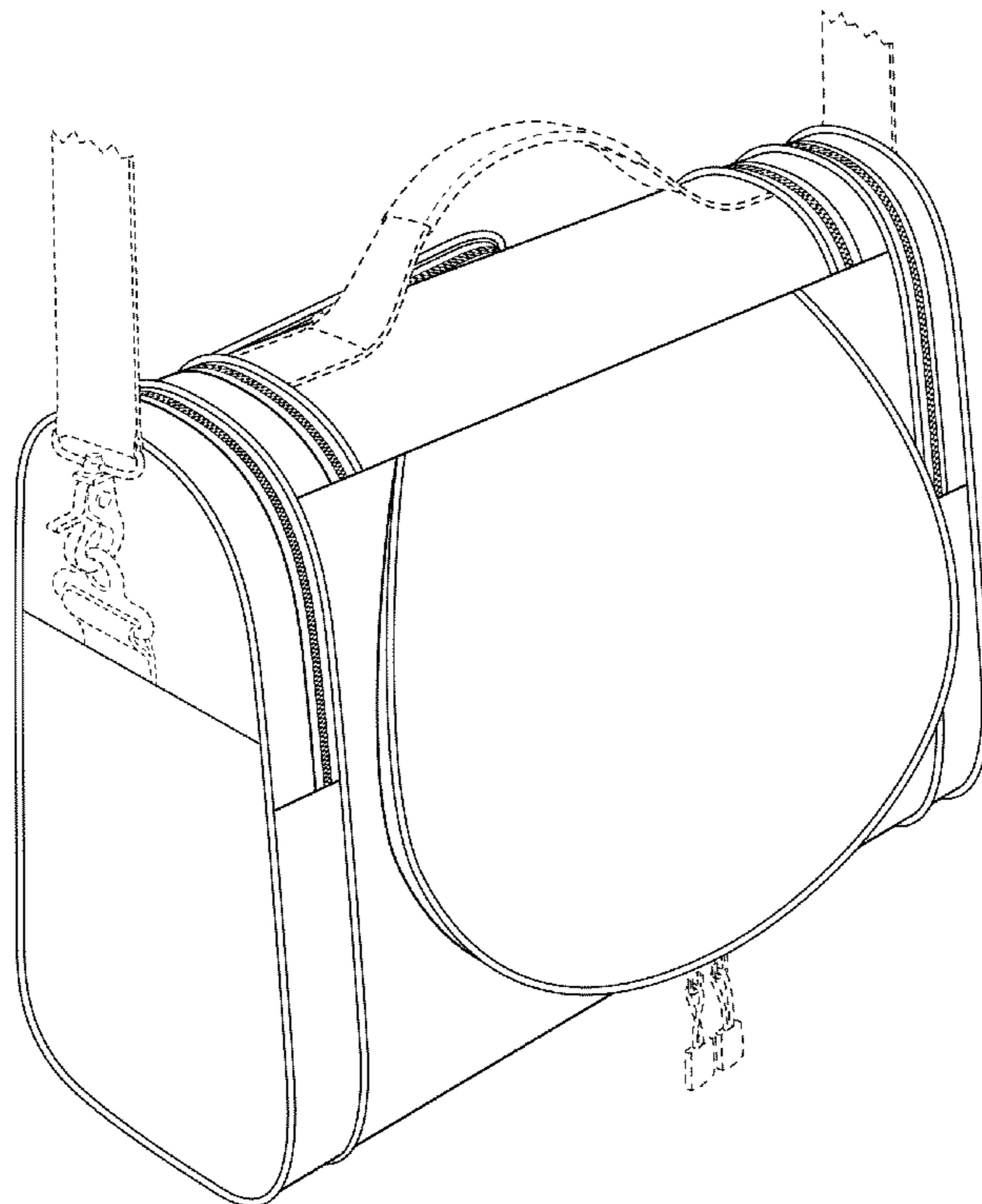
U.S. PATENT DOCUMENTS

4,702,378	A	10/1987	Finkel et al.	
D490,243	S *	5/2004	Domotor	D3/289
7,104,977	B2	9/2006	Price et al.	
D611,246	S *	3/2010	LaCorte	D3/232
D637,809	S *	5/2011	Meldeau	D3/232
D640,051	S *	6/2011	Custer	D3/233
D651,794	S *	1/2012	Hargens et al.	D3/232
2007/0090014	A1	4/2007	Wheeler et al.	
2007/0287976	A1	12/2007	Sherrill	
2009/0014351	A1	1/2009	Walker	

OTHER PUBLICATIONS

Welsh Health Supplies, UK-Cardiff: incontinence kit, 2005/S 215-212270, European Communities—Supply Contracts—Restricted

1 Claim, 8 Drawing Sheets



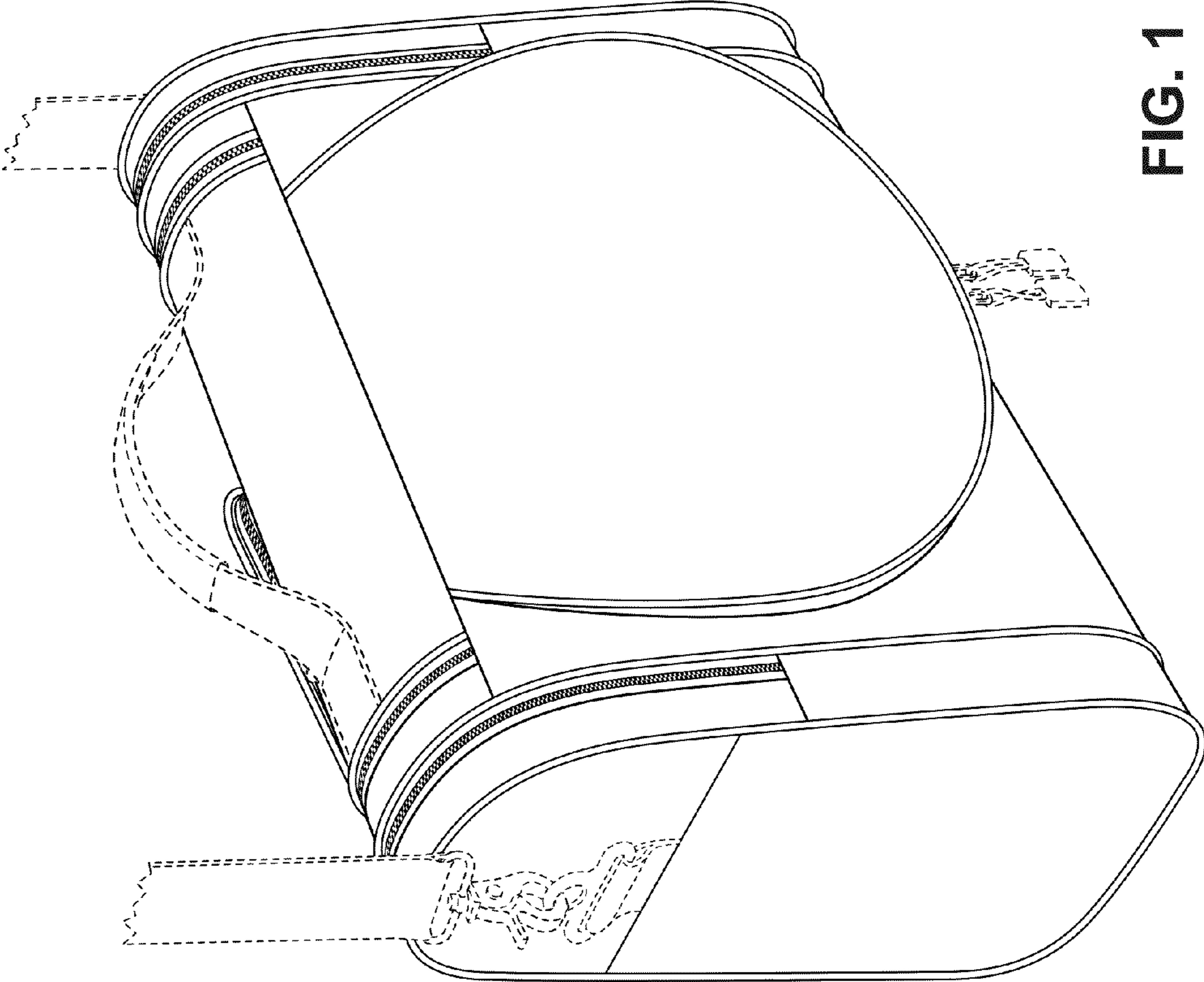


FIG. 1

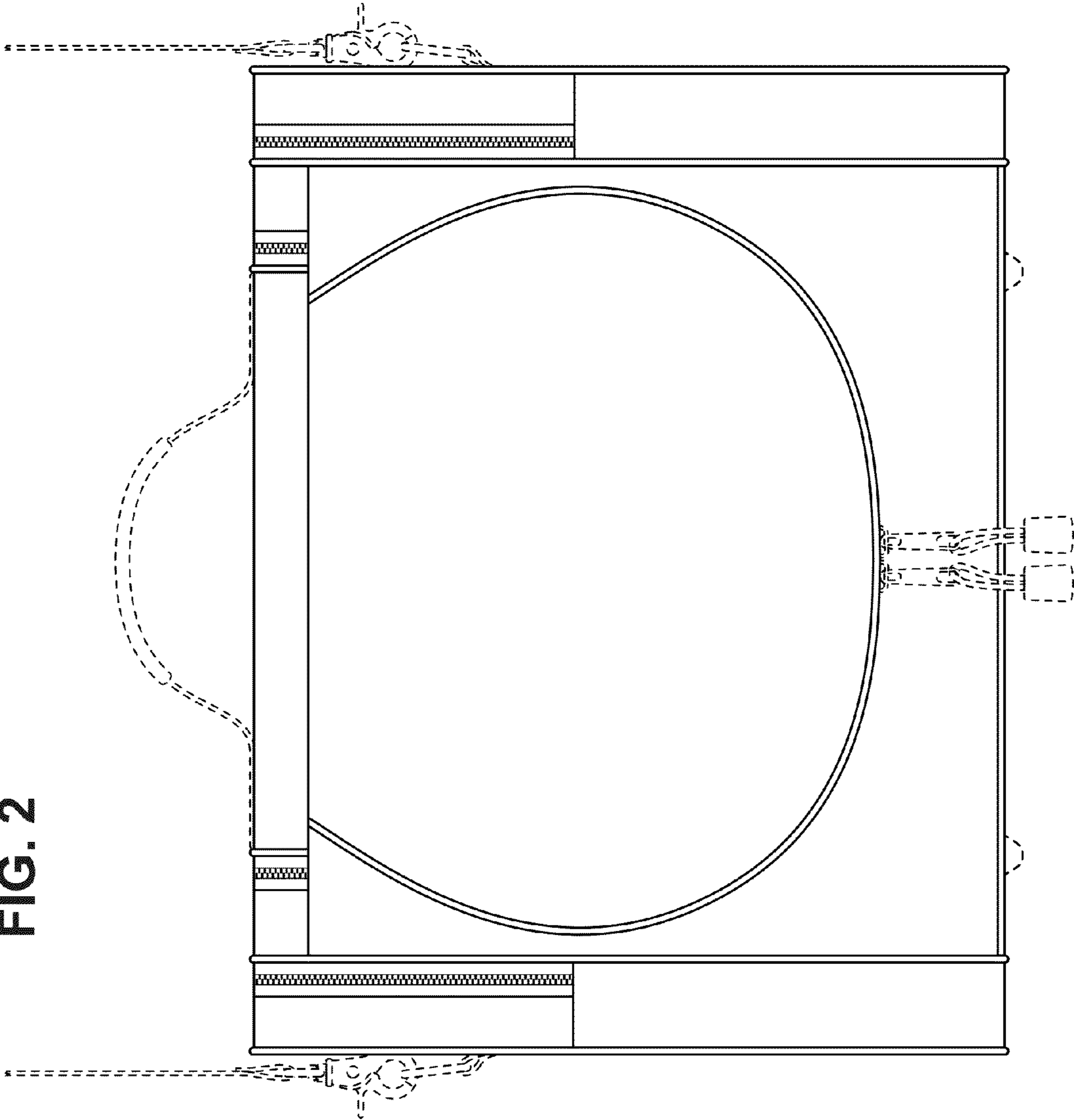


FIG. 2

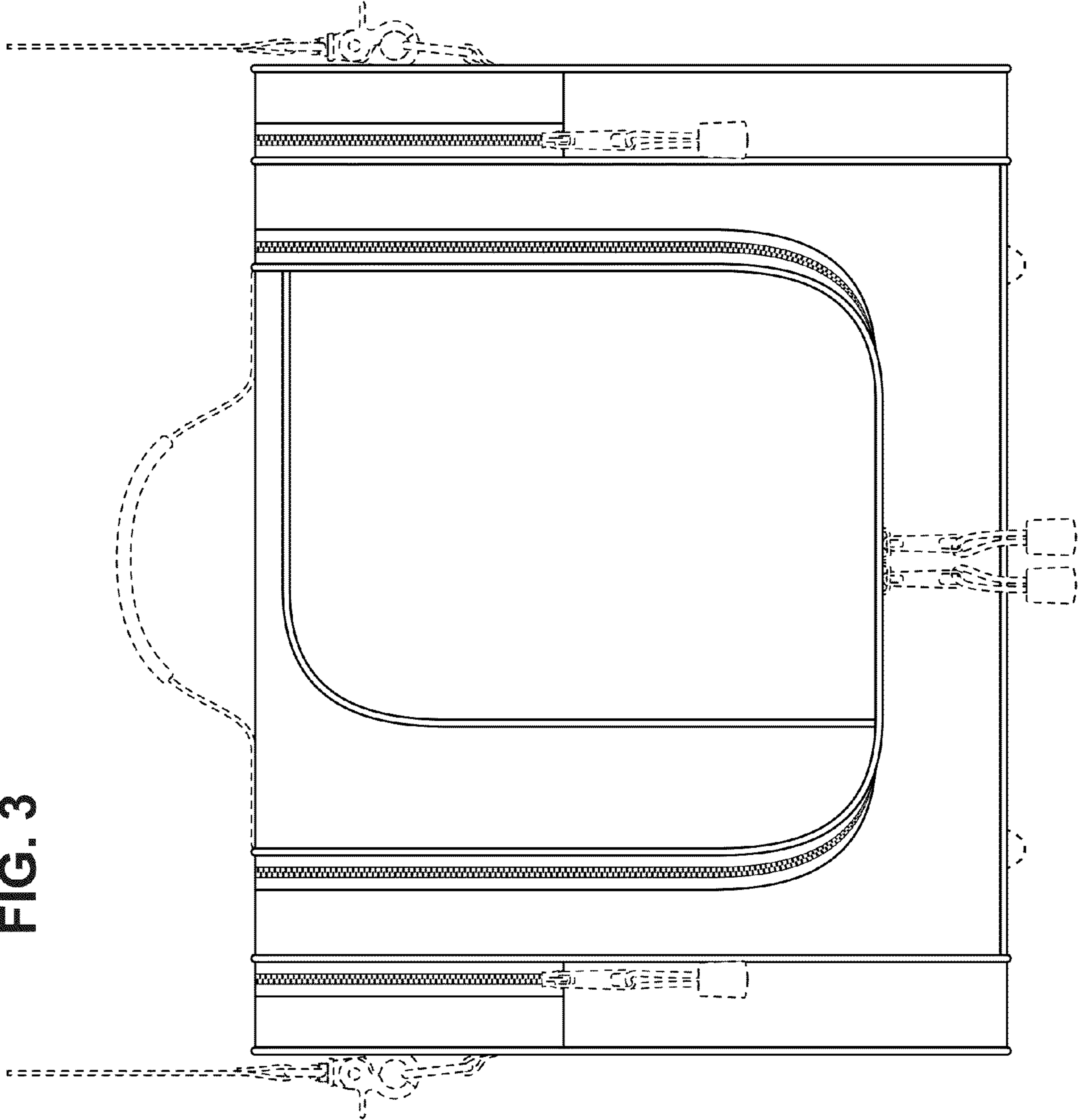


FIG. 3

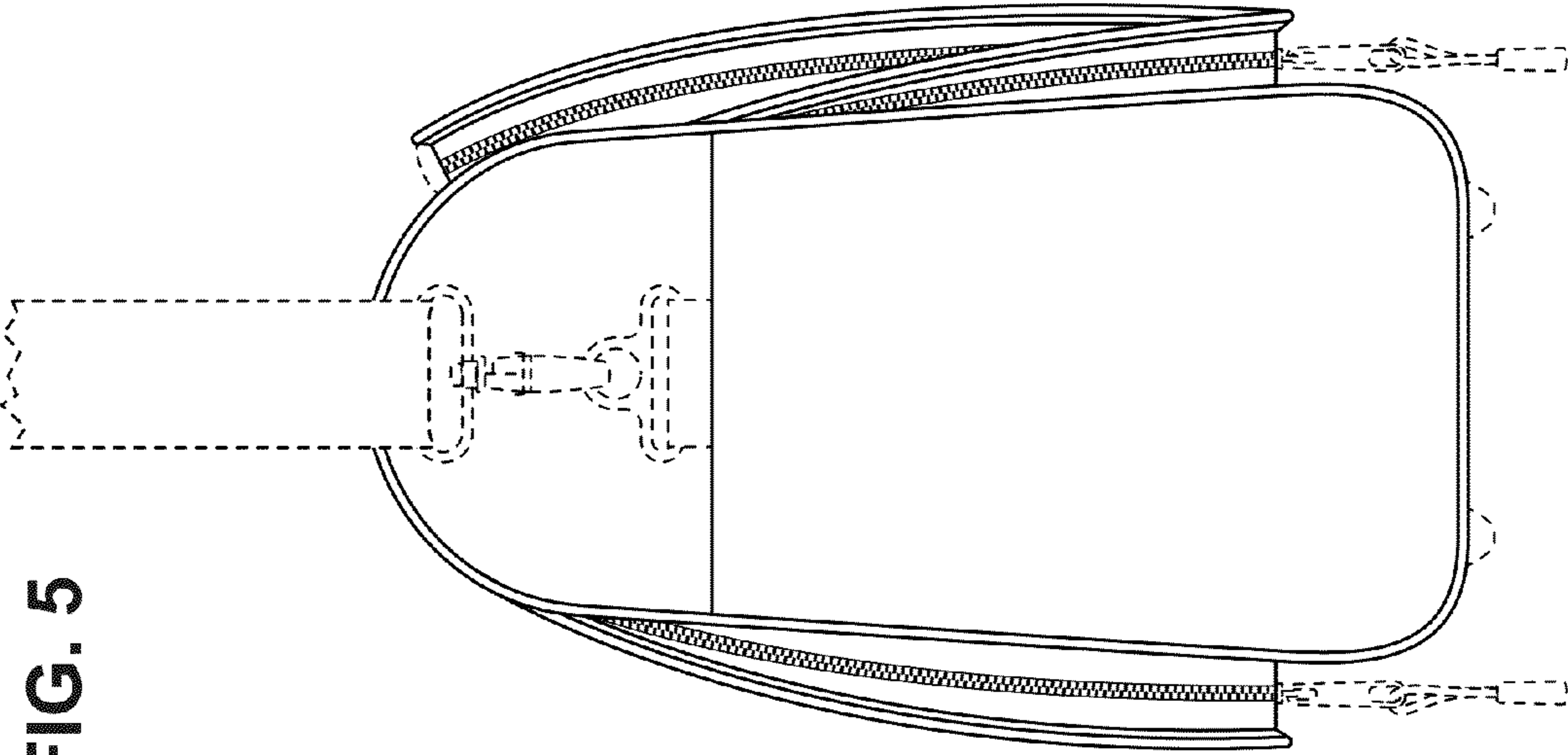


FIG. 5

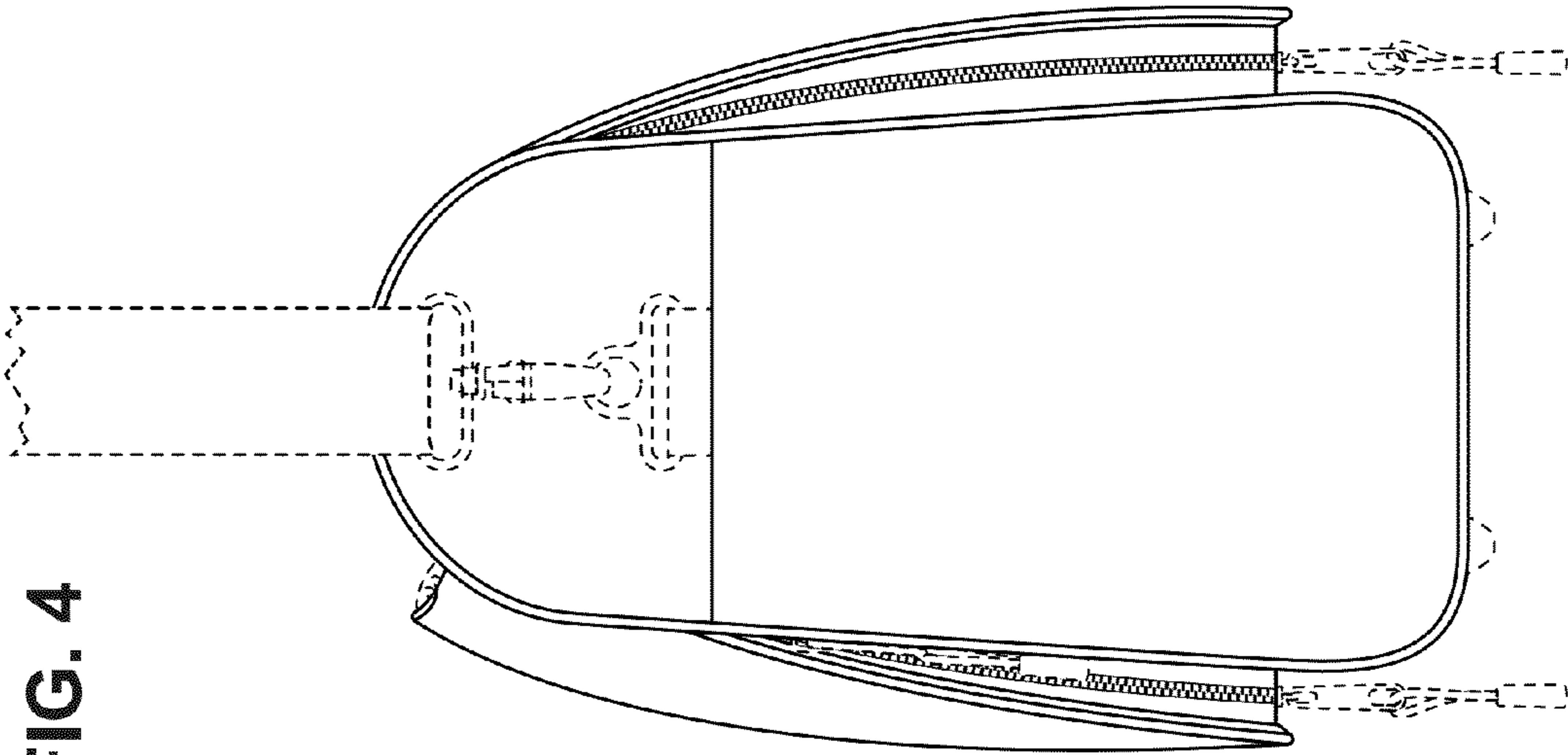


FIG. 4

FIG. 6

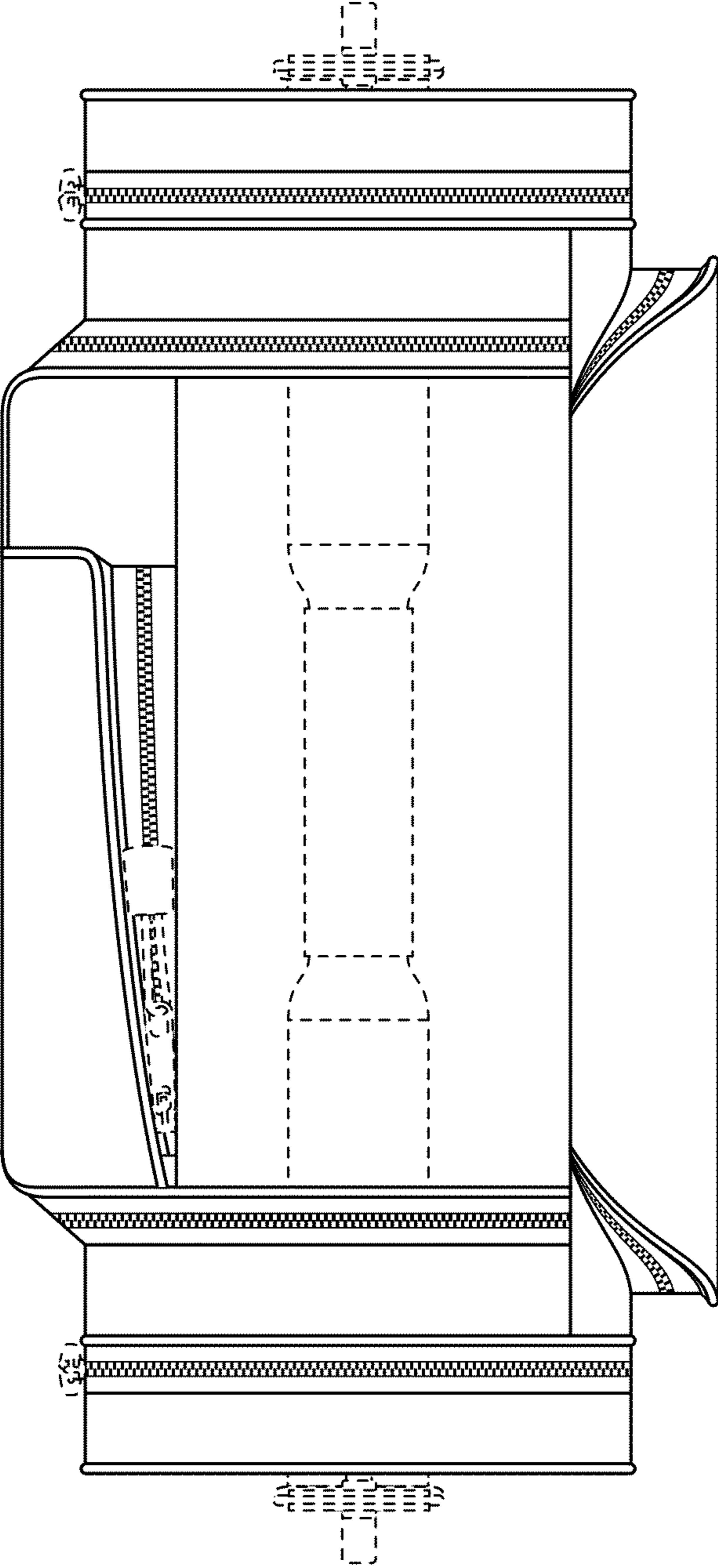


FIG. 7

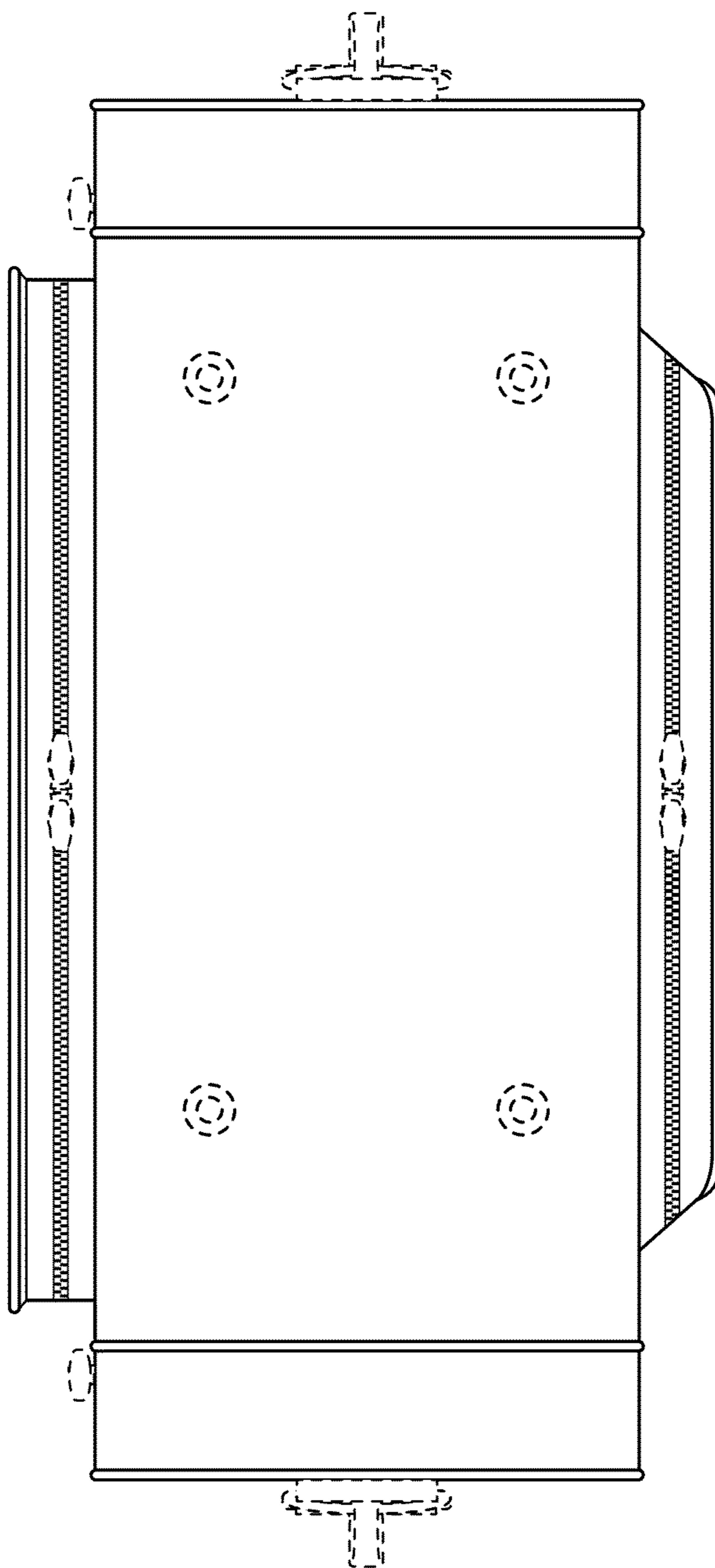


FIG. 8

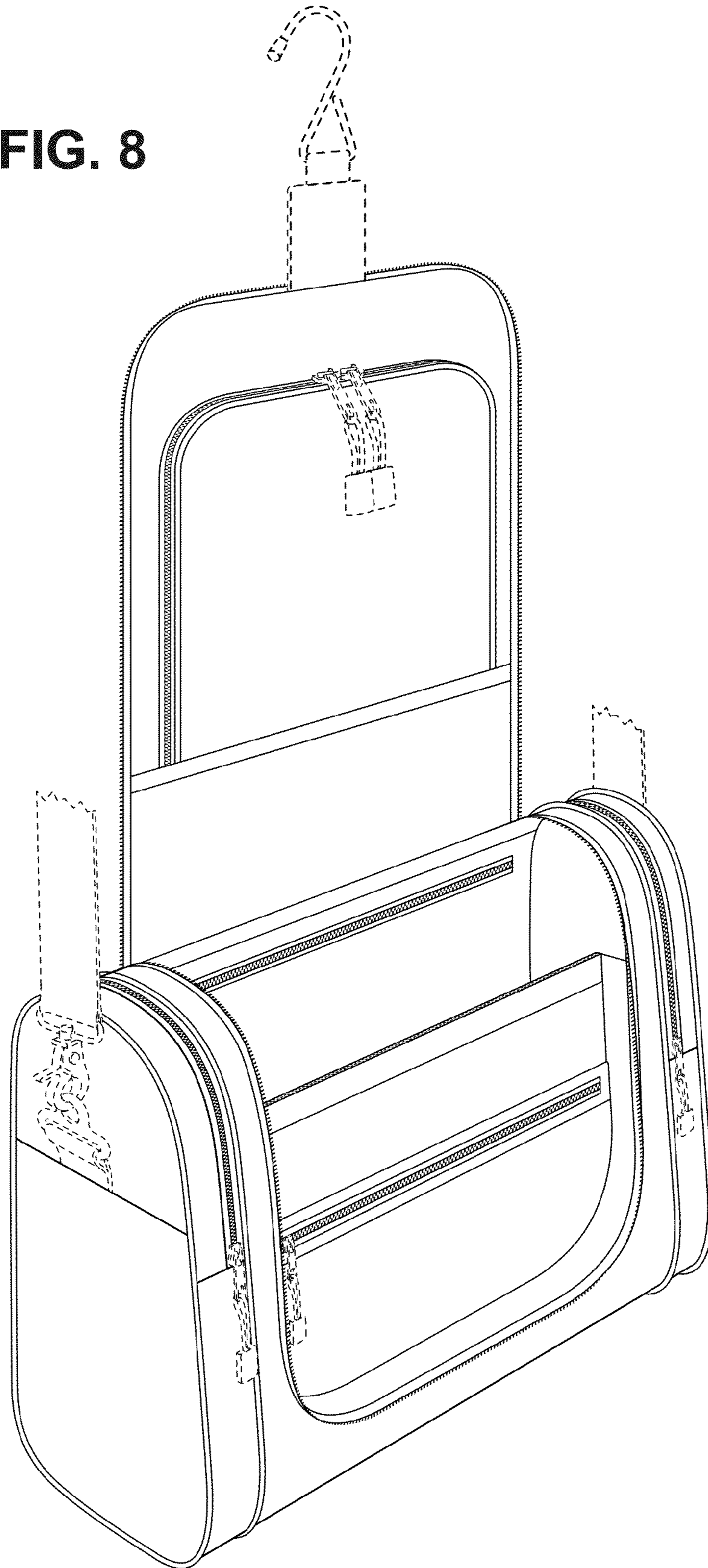


FIG. 9

