



US00D685180S

(12) **United States Design Patent**
Baekgaard et al.

(10) **Patent No.:** **US D685,180 S**

(45) **Date of Patent:** **** Jul. 2, 2013**

(54) **TOTE**

(75) Inventors: **Barbara Bradley Baekgaard**, Fort Wayne, IN (US); **Rebecca Ann Bennett**, Fort Wayne, IN (US); **Kimberly Frenzel Colby**, Fort Wayne, IN (US); **Kate Elizabeth Deschner**, Fort Wayne, IN (US); **Tiffany Diehl**, Fort Wayne, IN (US); **Kelli Ann Dove**, Fort Wayne, IN (US); **Stephanie Lane Hoffherr**, Fort Wayne, IN (US); **Kendra M. Nafziger**, Fort Wayne, IN (US); **Veronique Poudrier**, Auburn, IN (US); **Toni Meador Schrank**, Fort Wayne, IN (US); **Renee Marie Walters**, Fort Wayne, IN (US); **Wendy Chapman Wernke**, Fort Wayne, IN (US)

(73) Assignee: **Vera Bradley Designs, Inc.**, Fort Wayne, IN (US)

(**) Term: **14 Years**

(21) Appl. No.: **29/403,444**

(22) Filed: **Oct. 6, 2011**

(51) **LOC (9) Cl.** **03-01**

(52) **U.S. Cl.**
USPC **D3/232**

(58) **Field of Classification Search**
USPC D3/232-233, 240-246; 150/100, 150/103-110, 113-114, 117-119
See application file for complete search history.

(56) **References Cited**

U.S. PATENT DOCUMENTS

3,530,961	A	9/1970	Weissenbach
D346,901	S	5/1994	Dulka et al.
D389,647	S	1/1998	White
5,706,992	A	1/1998	Moor
5,971,148	A	10/1999	Jackson

D418,679	S	*	1/2000	Chiapperini, Jr.	D3/303
D419,300	S		1/2000	Livingston		
6,244,400	B1		6/2001	Bowers		
D448,164	S		9/2001	Kolpin		
6,604,618	B1		8/2003	Godshaw et al.		
6,637,563	B1		10/2003	Ruckh		
6,948,600	B2		9/2005	Chuang		
7,207,154	B2		4/2007	Araujo		

(Continued)

FOREIGN PATENT DOCUMENTS

DE 41 00 055 7/1992

OTHER PUBLICATIONS

Eddie Bauer, "Expedition Checkpoint-Friendly Laptop Briefcase", published at least as early as Oct. 6, 2011.

(Continued)

Primary Examiner — Holly Baynham

(74) *Attorney, Agent, or Firm* — Faegre Baker Daniels LLP

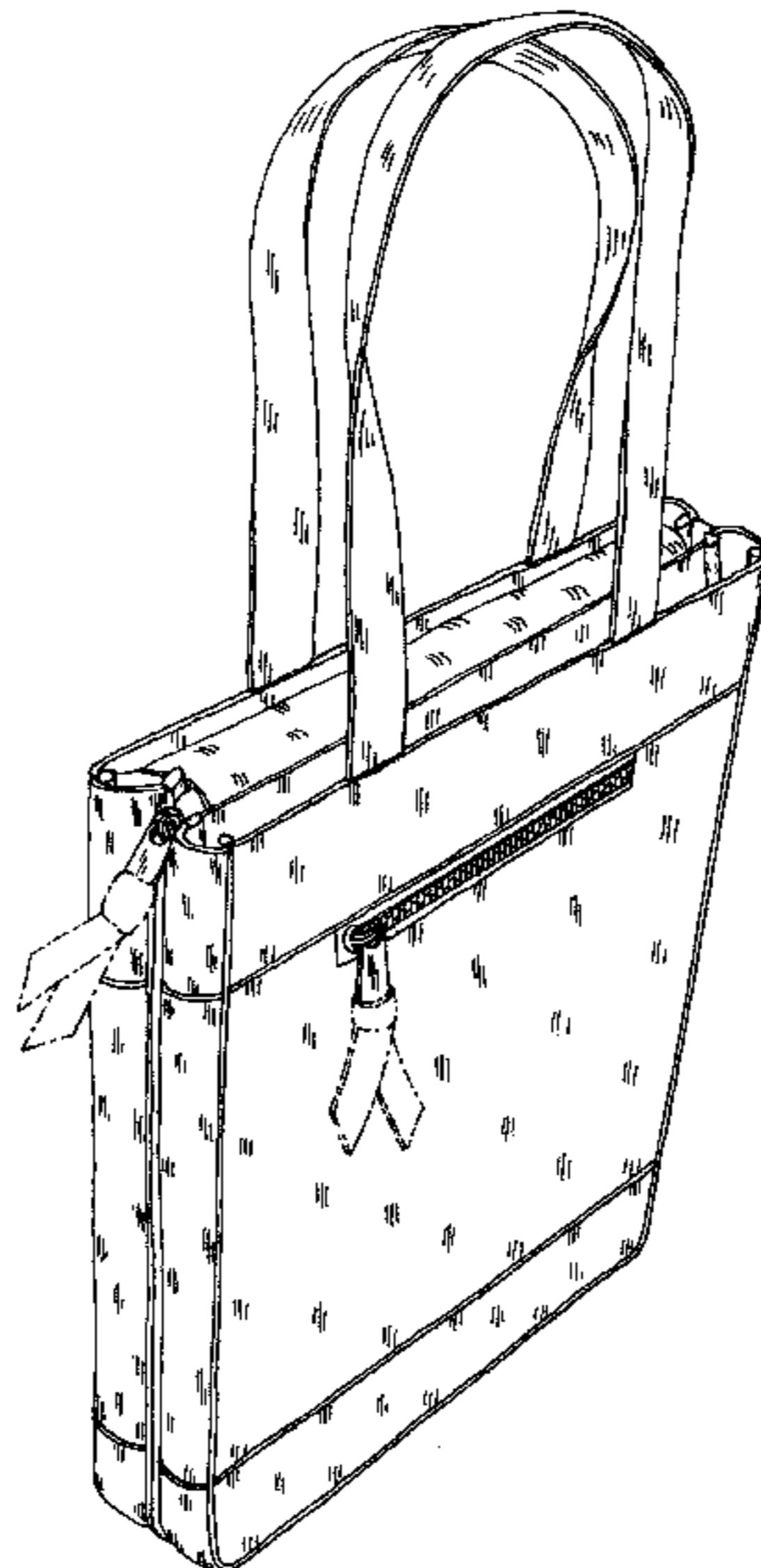
(57) **CLAIM**

The ornamental design for a tote, as shown and described.

DESCRIPTION

FIG. 1 is a front perspective view of a tote according to our new design;
FIG. 2 is a front view thereof;
FIG. 3 is a rear view thereof;
FIG. 4 is a left side view thereof;
FIG. 5 is a right side view thereof;
FIG. 6 is a top view thereof;
FIG. 7 is a bottom view thereof; and,
FIG. 8 is another perspective view thereof, the tote shown in an open configuration with the fasteners on the left and right sides of the tote released.
The broken lines showing the zipper pull are for the purposes of illustrating environment and forms no part of the claimed design.

1 Claim, 6 Drawing Sheets



U.S. PATENT DOCUMENTS

D568,047	S	5/2008	Brancky	
D605,854	S	12/2009	Gracer et al.	
D620,707	S	* 8/2010	Mogil	D3/246
D627,164	S	11/2010	Reisenthal	
2005/0284791	A1	12/2005	Sadow	
2006/0049016	A1	3/2006	Godshaw et al.	
2006/0180624	A1	8/2006	Sadow et al.	
2007/0044877	A1	3/2007	Davidoff et al.	
2007/0240952	A1	10/2007	Habegger et al.	
2009/0223765	A1	9/2009	Bosma	
2009/0223845	A1	9/2009	Bosma et al.	
2009/0238335	A1	9/2009	Ripp et al.	
2009/0260940	A1	10/2009	Gracer et al.	
2009/0288925	A1	11/2009	Hess et al.	
2009/0314594	A1	12/2009	Harrison et al.	
2010/0236885	A1	9/2010	Scicluna	
2010/0282809	A1	11/2010	Scicluna	
2010/0288591	A1	11/2010	Drew et al.	

OTHER PUBLICATIONS

Travelon, "Ladies Checkpoint Friendly Computer Brief", published at least as early as Oct. 6, 2011.

Audrey Collection, "Leather Checkpoint Friendly Tote Bag", published at least as early as Oct. 6, 2011.

Mountain Hardwear, "rEVA Computer Case", published at least as early as Oct. 6, 2011.

Zappos, "TSA Friendly Laptop Bags and Bags", published at least as early as Oct. 6, 2011.

Elite, "V7 Elite Toploader TSA Checkpoint Friendly Laptop Case 16-Inch CTE1-9N, Black with Gray Accents", published at least as early as Oct. 6, 2011.

Epromos, "TSA Travel Friendly Briefcase / Computer Case", published at least as early as Oct. 6, 2011.

Fossil, "Wagner E/W Messenger; Wagner City Bag; Key-Per Laptop Sleeve; Jackson E/W Messenger; and Grant Computer Messenger", published at least as early as Oct. 6, 2011.

Oakley, "Checkpoint Vertical Computer Bag", published at least as early as Oct. 6, 2011.

McKlein, "W Series Oak Grove Leather Fly-Through Checkpoint Friendly Ladies' Bag", published at least as early as Oct. 6, 2011.

Apple, "MacBook MB881LL/A 13.3-Inch Laptop Check Point Friendly Business Briefcase Messenger Bag with Shoulder Strap", published at least as early as Oct. 6, 2011.

Targus, "Checkpoint-Friendly 16" Traditional Laptop Case—TSA", published at least as early as Oct. 6, 2011.

Speck Products, "Best TSA-Friendly Laptop Bag: Speck Products CorePack Fly Messenger Bag", published at least as early as Oct. 6, 2011.

Skooba Design, "Checkpoint Friendly Laptop Bags", published at least as early as Oct. 6, 2011.

Samsonite, "Samsonite Business Checkpoint Friendly Laptop Bag; Samsonite Quantum Checkpoint Friendly Slim Laptop Bag; Samsonite Leverage Checkpoint Friendly Laptop Case; Samsonite Quantum Checkpoint Friendly Large Laptop Bag; and Samsonite Business Leather", published at least as early as Oct. 6, 2011.

Tumi, "Tumi T-Pass™ Bauer Brief Pack", published at least as early as Oct. 6, 2011.

Coach, "New Julia Nylon Laptop Sleeve; New Poppy Pop C Laptop Sleeve; and Varick Nylon Laptop Sleeve", published at least as early as Oct. 6, 2011.

Transportation Security Administration, "Laptop Bags: Industry Process and Guidelines", Jul. 29, 2008.

Transportation Security Administration, "TSA Goes Bag Shopping", Mar. 7, 2008.

PC Mag.com, "8 Checkpoint-Friendly Laptop Bags", Aug. 8, 2008.

Transportation Security Administration, "Checkpoint Friendly Laptop Bag Procedures", Aug. 15, 2008.

Transportation Security Administration, "TSA Administrator Kip Hawley's Keynote Address to the Aero Club of Washington", Jul. 22, 2008.

GSN: Government Security News, "TSA Launches Search for the Perfect Laptop Bag", Mar. 4, 2008.

Mercedes-Benz, "Ladies Tote (TSA Friendly)", 2008-2011.

Mobile Edge, Black 16" ScanFast Onys Checkpoint Friendly Briefcase Model MESFOBC, 2010-2011.

* cited by examiner

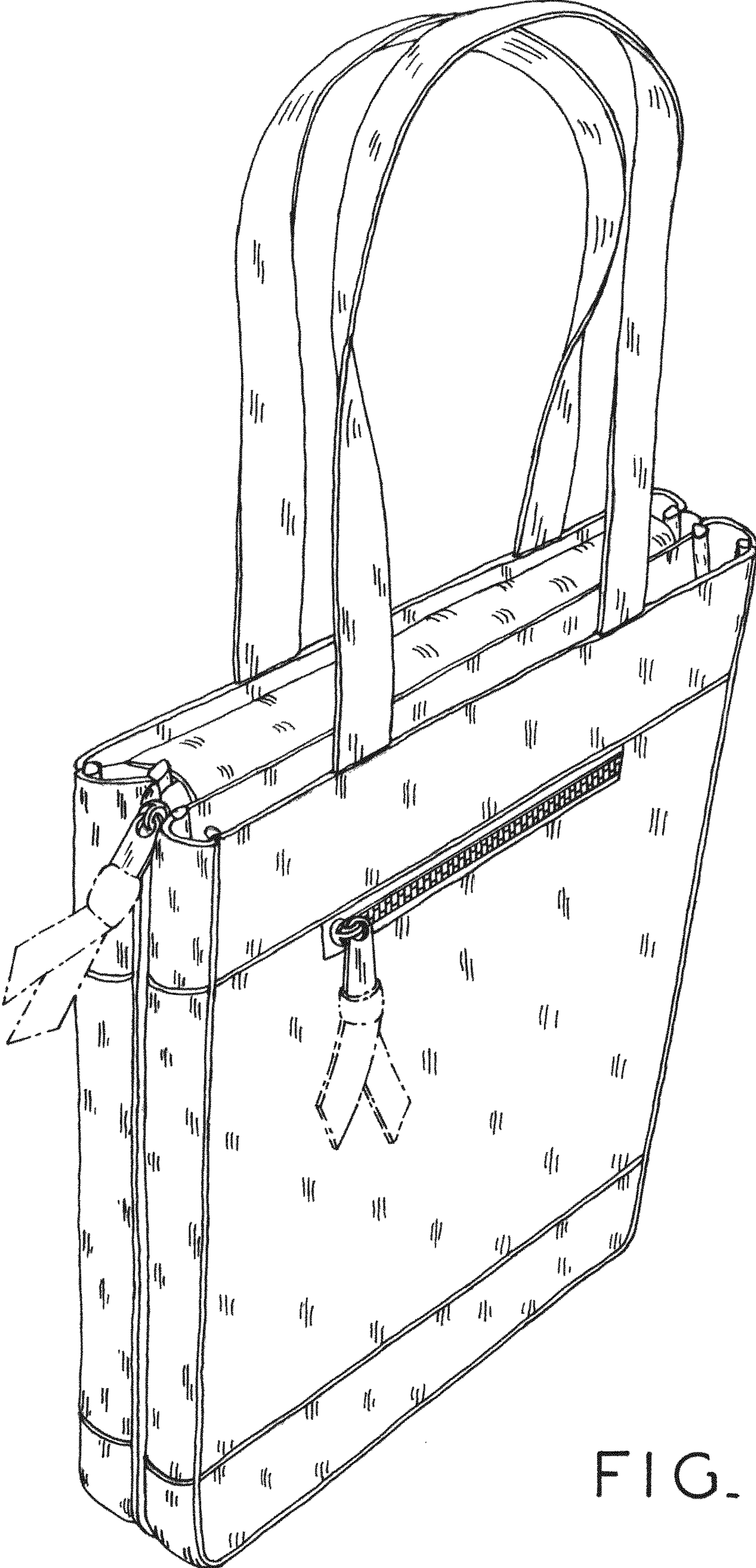


FIG. 1

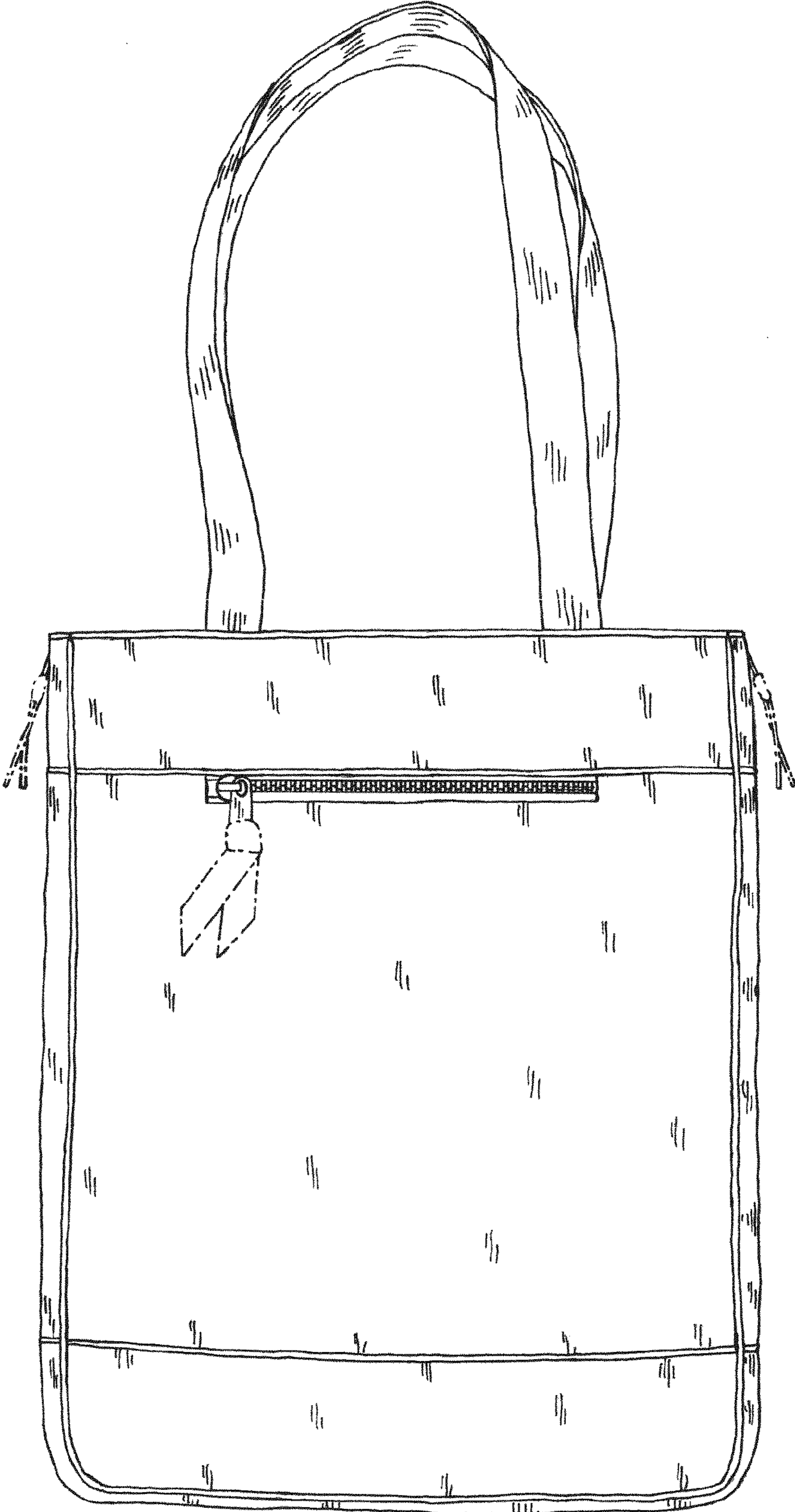


FIG. 2

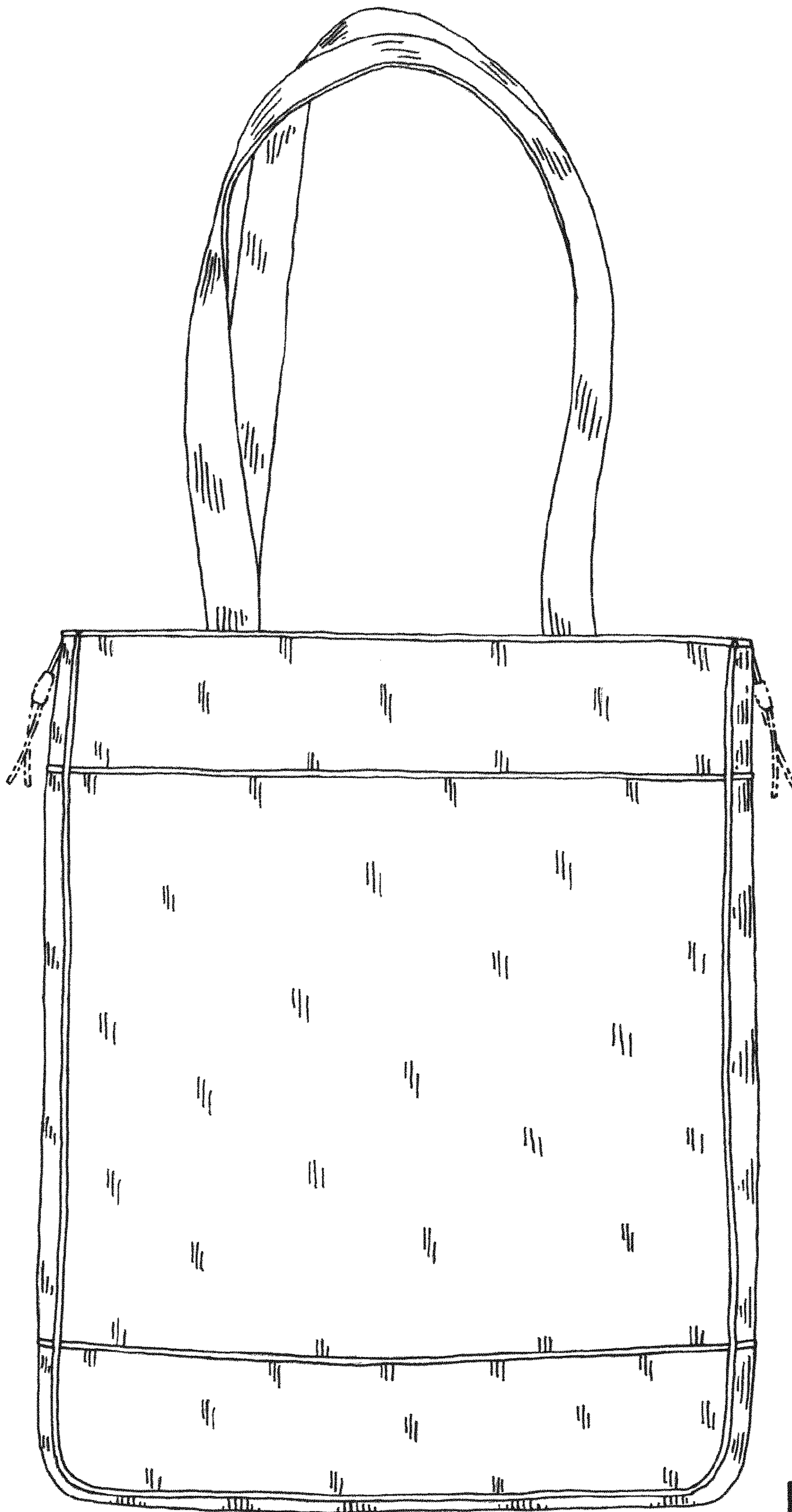


FIG. 3

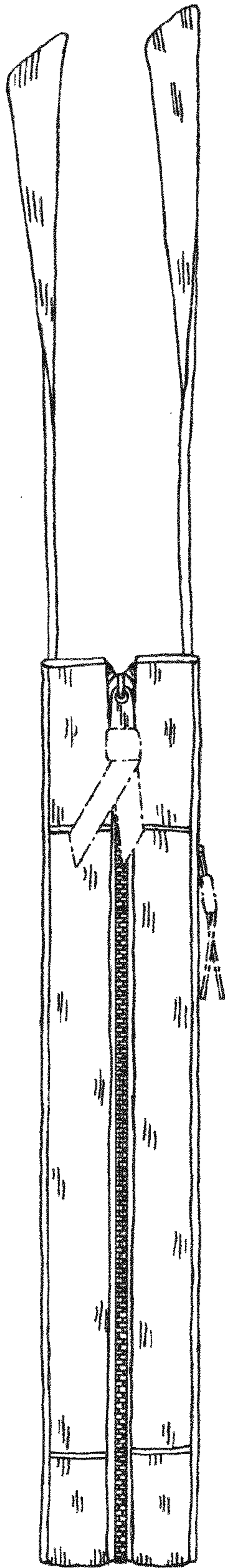


FIG. 4

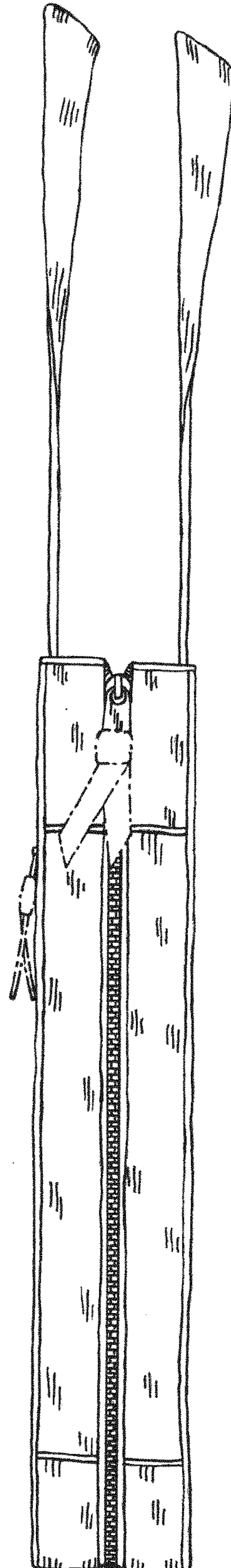


FIG. 5

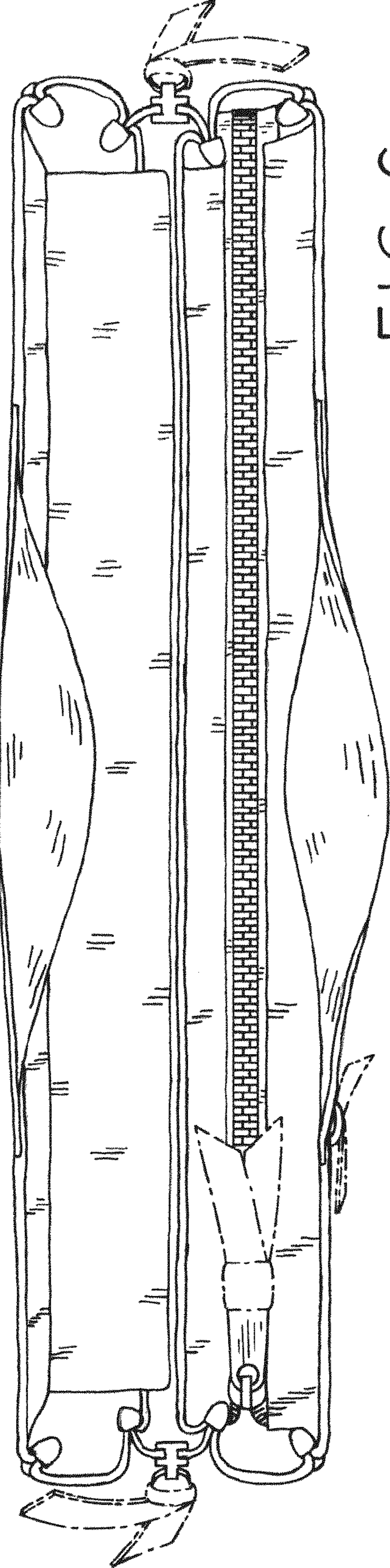


FIG. 6

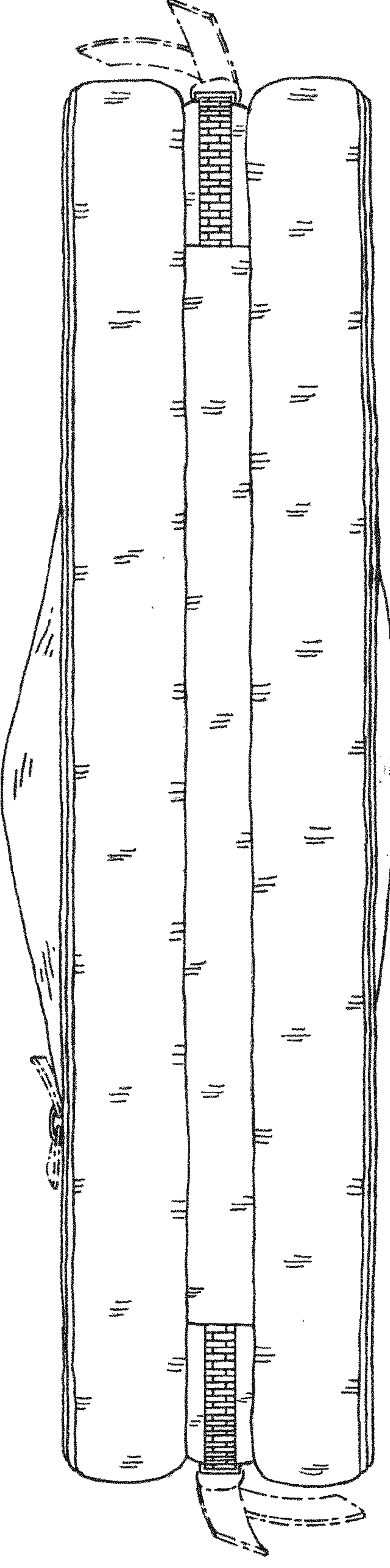


FIG. 7

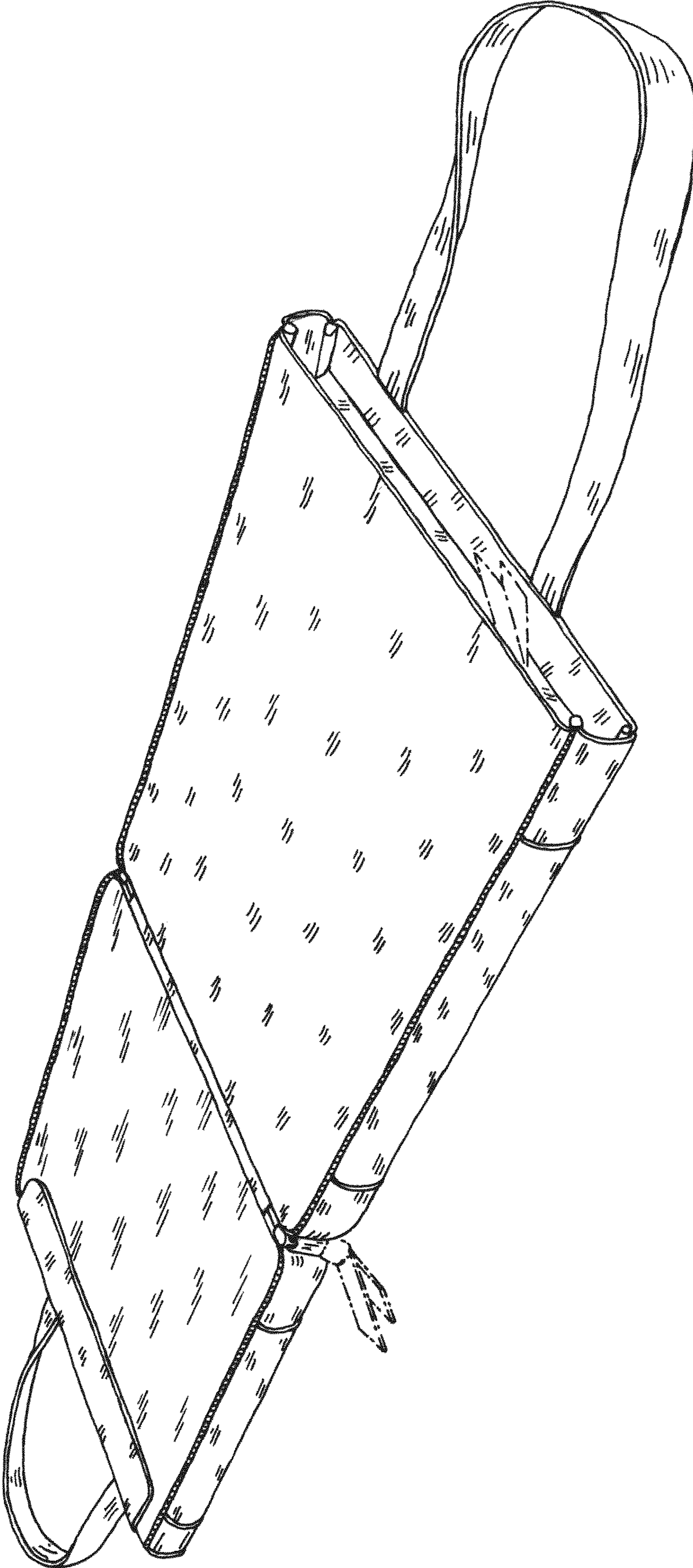


FIG. 8