



US00D685161S

(12) **United States Design Patent**
Sun

(10) **Patent No.:** **US D685,161 S**
(45) **Date of Patent:** **** Jul. 2, 2013**

- (54) **HOOD WITH NECK PILLOW**
- (71) Applicant: **Glen Sun**, Diamond Bar, CA (US)
- (72) Inventor: **Glen Sun**, Diamond Bar, CA (US)
- (**) Term: **14 Years**
- (21) Appl. No.: **29/446,498**
- (22) Filed: **Feb. 25, 2013**
- (51) **LOC (9) Cl.** **02-03**
- (52) **U.S. Cl.**
USPC **D2/866**
- (58) **Field of Classification Search**
USPC D2/865, 866, 868, 869, 870, 871,
D2/872, 873, 874, 878, 879, 880, 881, 882,
D2/889; D6/601, 604; D29/102, 103, 104,
D29/105, 106, 107, 108, 109, 110, 111, 122;
2/84, 171, 200.1, 202, 203, 204, 205, 206,
2/209.13, 411; 5/636, 639, 644
See application file for complete search history.

(56) **References Cited**

U.S. PATENT DOCUMENTS

D65,614	S	*	9/1924	McCoy	D2/867
2,696,007	A	*	12/1954	Larkin et al.	2/171
2,839,757	A	*	6/1958	Gianola	2/205
3,258,781	A	*	7/1966	Klein	2/88
D289,223	S	*	4/1987	Sumpter et al.	D2/879
D429,550	S	*	8/2000	Woodward	D2/878
D430,721	S	*	9/2000	Beauchan	D2/825
6,651,256	B1	*	11/2003	Swift	2/171
D522,300	S	*	6/2006	Roberts	D6/601
7,657,954	B1	*	2/2010	Bunkers	5/644
D641,139	S	*	7/2011	Shearer	D2/866
D662,692	S	*	7/2012	Asimenu	D2/880
D669,723	S	*	10/2012	Hindley	D6/601

2011/0131704	A1	*	6/2011	Hughes	2/204
2012/0144550	A1	*	6/2012	Nejad	2/84
2012/0144590	A1	*	6/2012	Sharp	5/639

FOREIGN PATENT DOCUMENTS

EM 002096370-0001 * 9/2012

OTHER PUBLICATIONS

Blackout Hooded Travel Pillow, [on-line]; [posted to the Internet Mar. 23, 2012]; [retrieved from the Internet on May 6, 2013]; URL: ><http://web.archive.org/web/20120323042240/http://store.grandtrunkgoods.com/blackout-hooded><. (4 pages).*

* cited by examiner

Primary Examiner — Karen E Eldridge Powers
(74) *Attorney, Agent, or Firm* — Fox Rothschild LLP

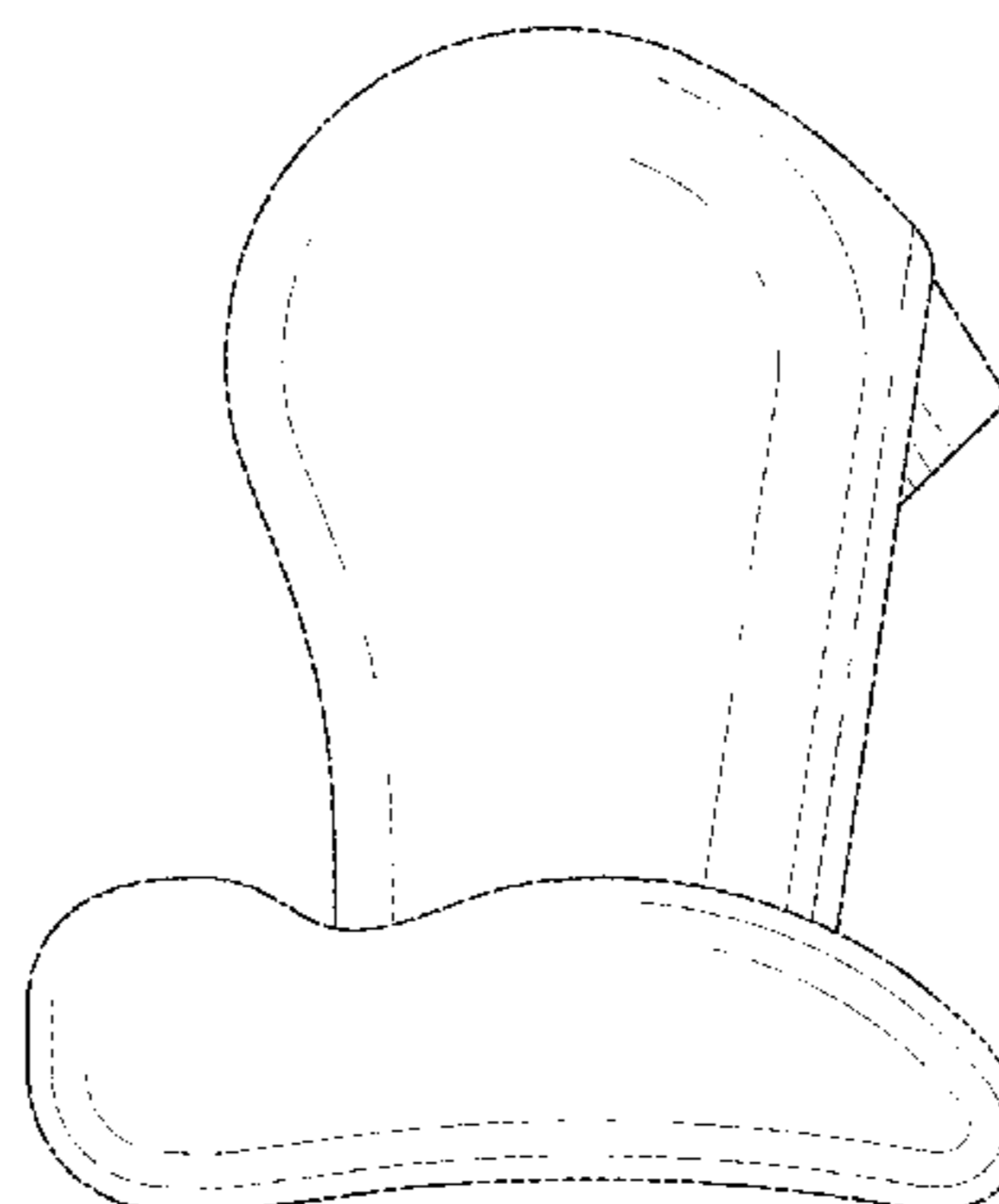
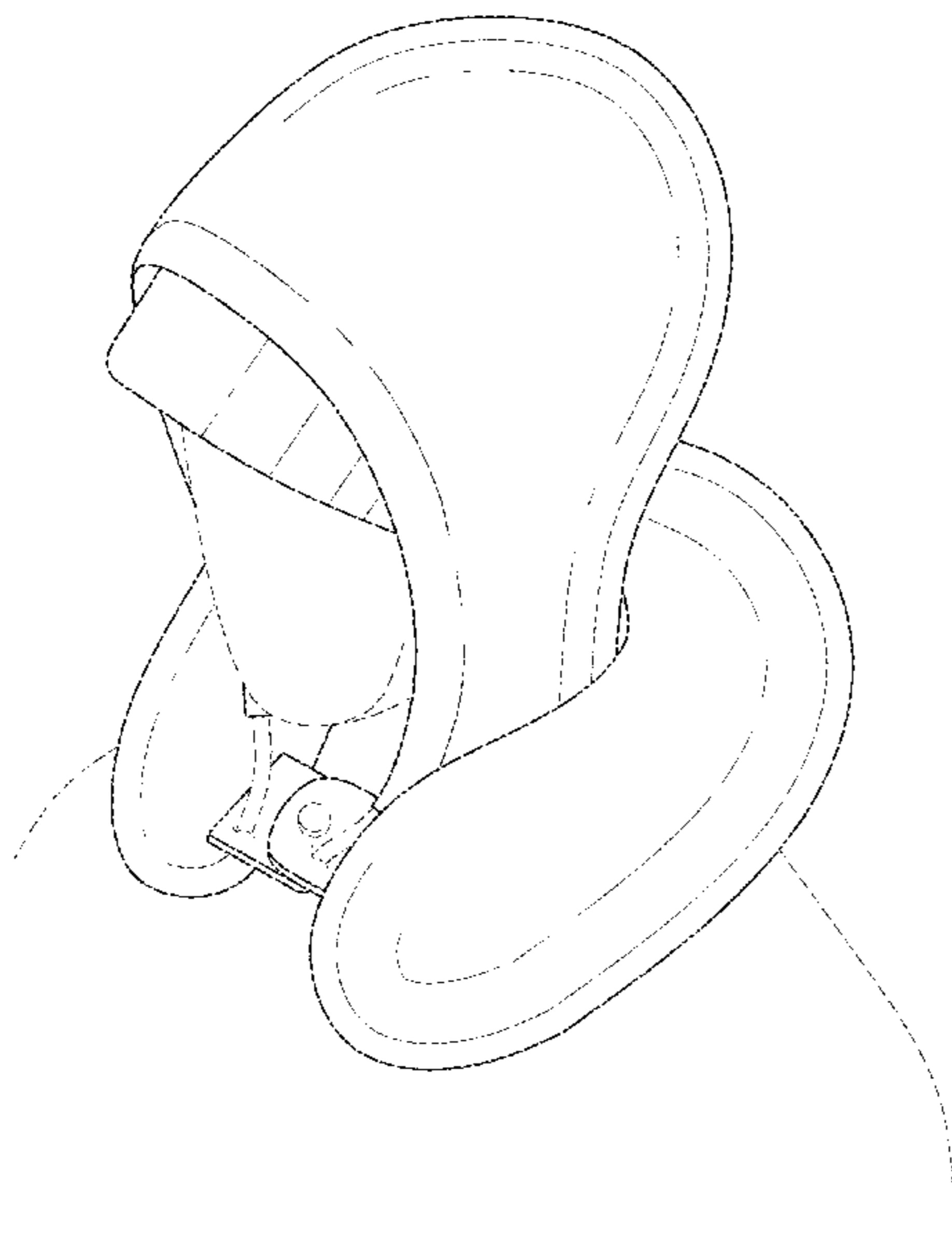
(57) **CLAIM**

The ornamental design for a hood with neck pillow, as shown and described.

DESCRIPTION

FIG. 1 is a perspective view of a hood with neck pillow showing my new design;
FIG. 2 is a front elevation view thereof;
FIG. 3 is a right-side elevation view thereof;
FIG. 4 is a left-side elevation view thereof;
FIG. 5 is a rear elevation view thereof;
FIG. 6 is a top plan view thereof; and,
FIG. 7 is a bottom plan view thereof.
The broken line disclosure in FIG. 1 shows an example of an intended environment for illustrative purposes only and forms no part of the claimed design. The broken line in the figures depicting the outline of portions of the hood with neck pillow shows unclaimed subject matter.

1 Claim, 4 Drawing Sheets



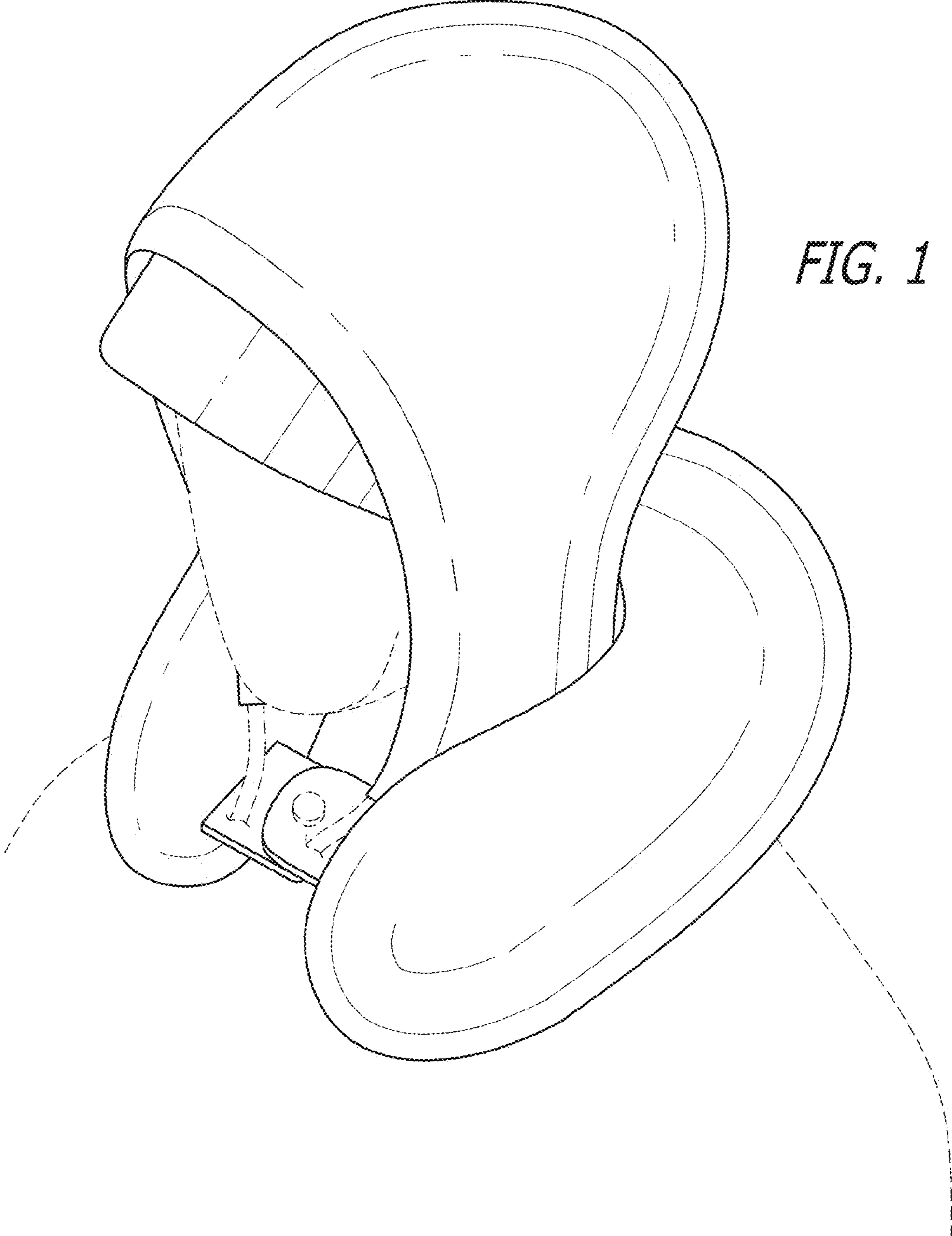


FIG. 1

FIG. 2

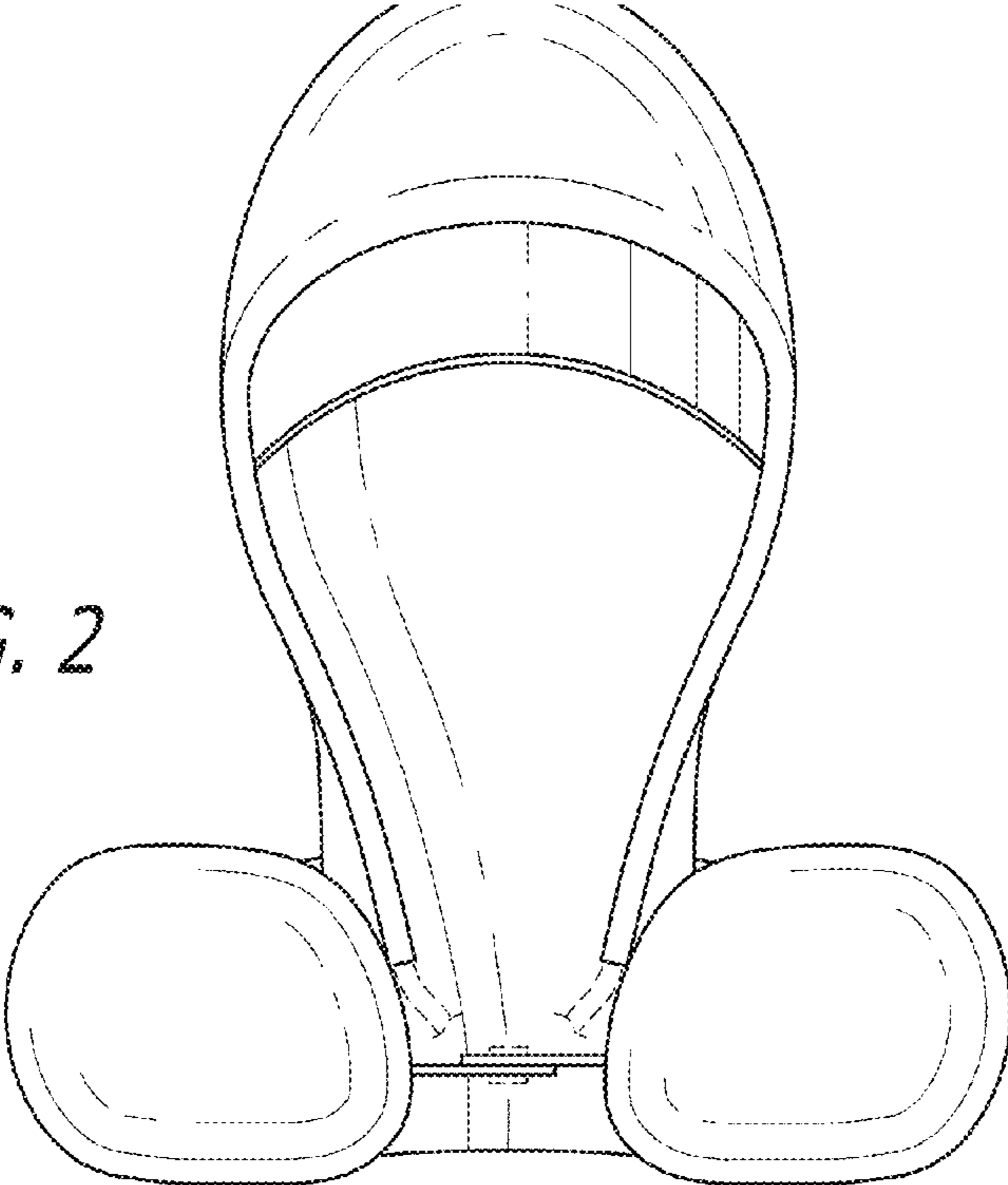
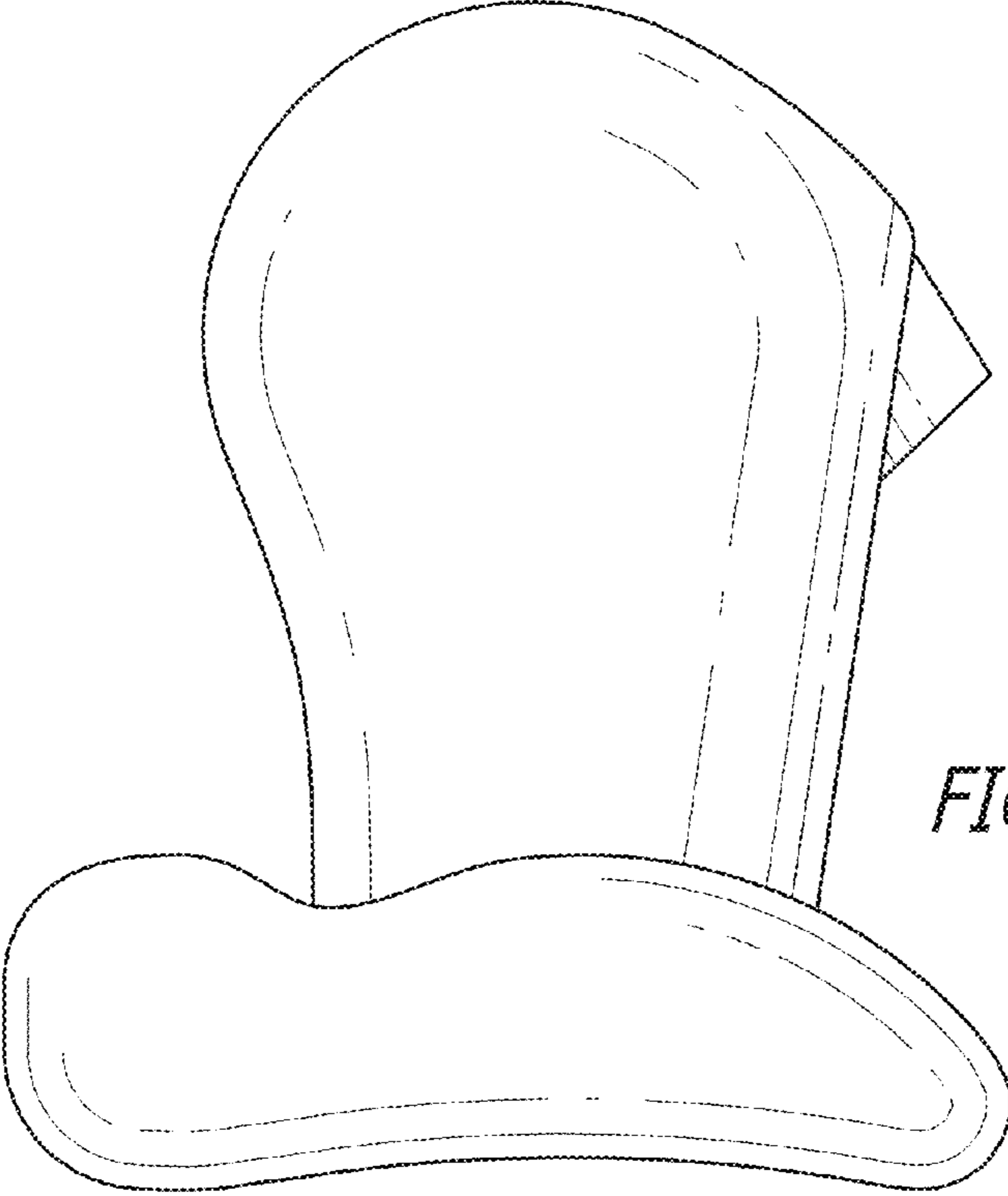


FIG. 3



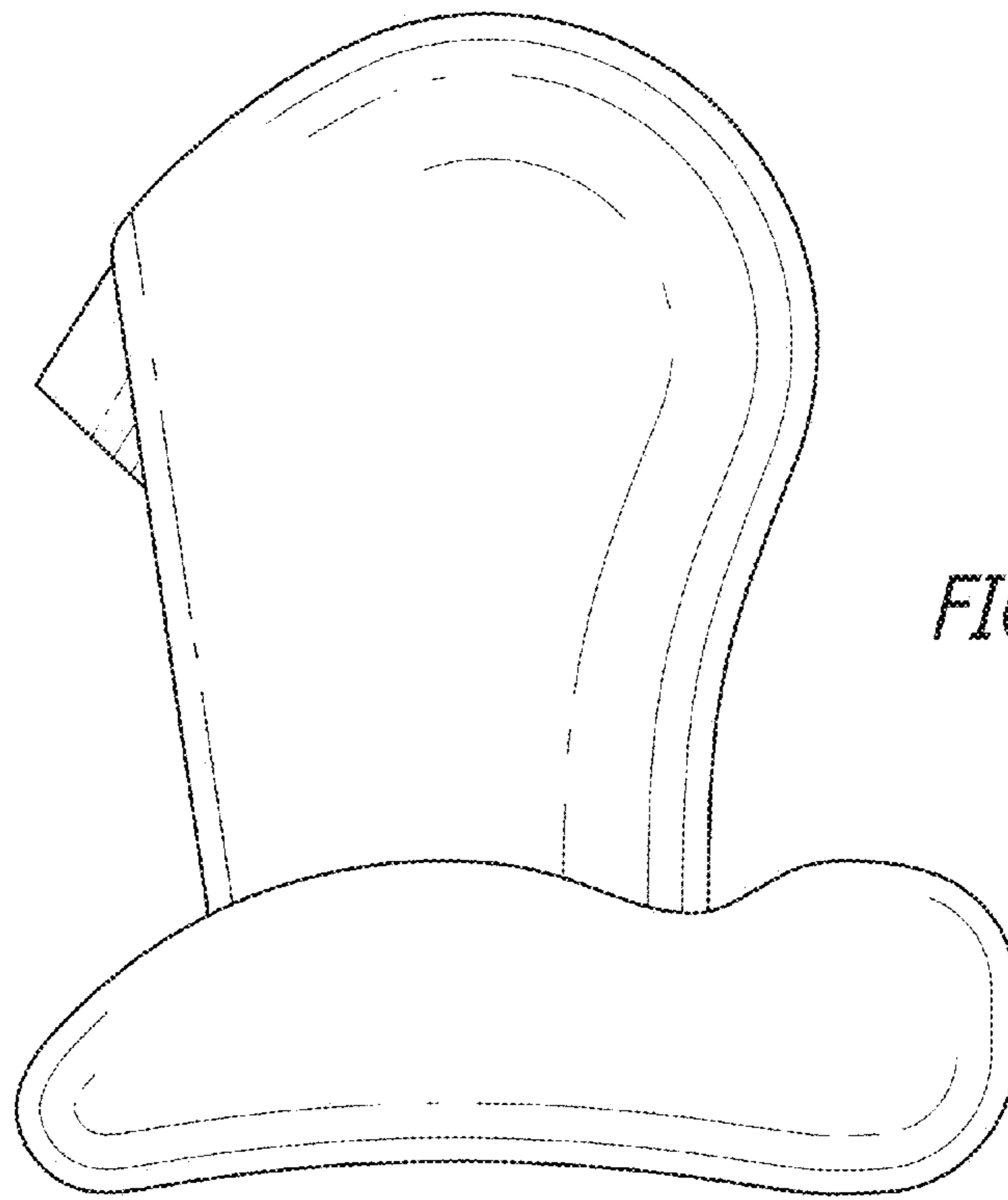


FIG. 4

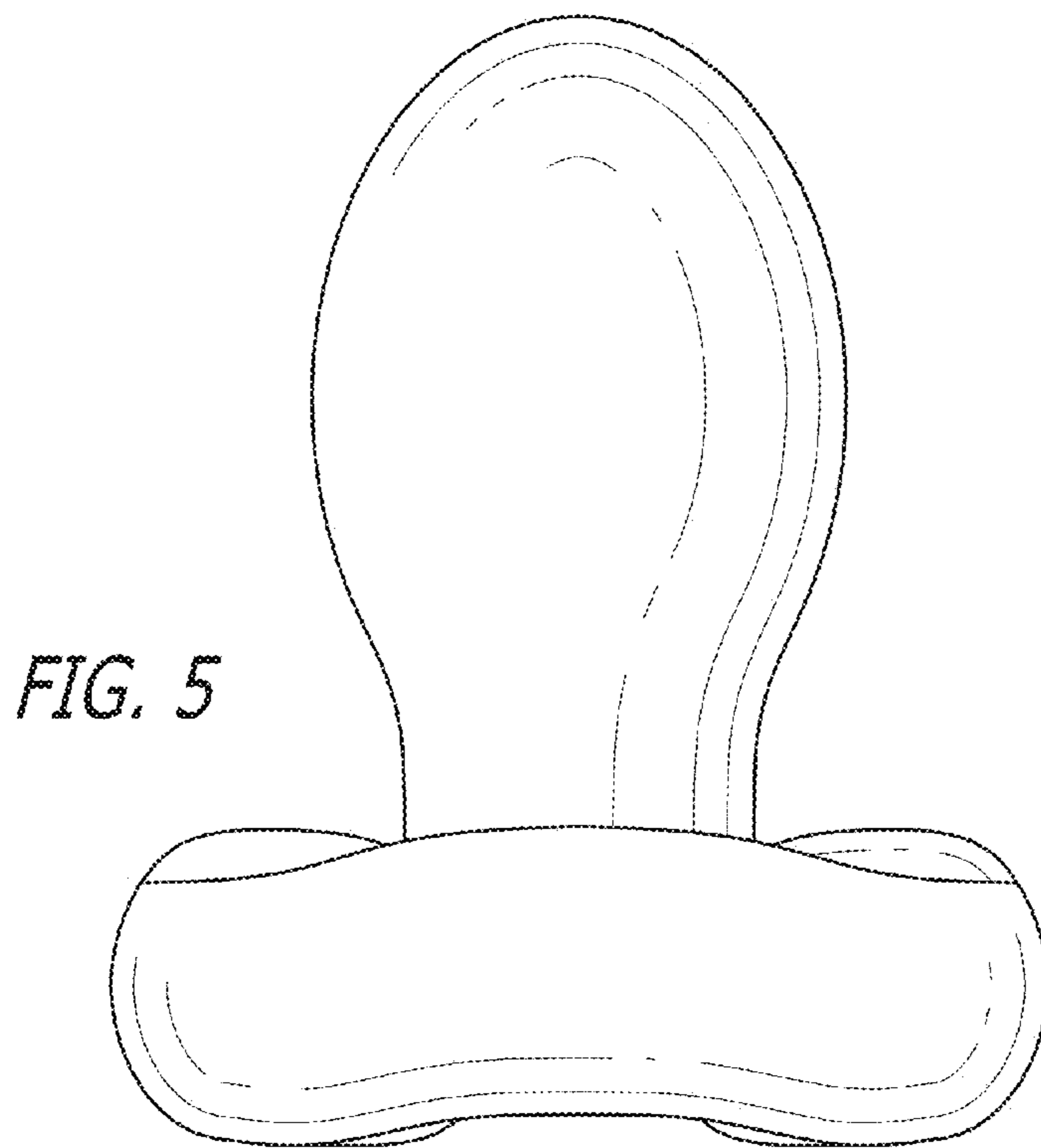


FIG. 5

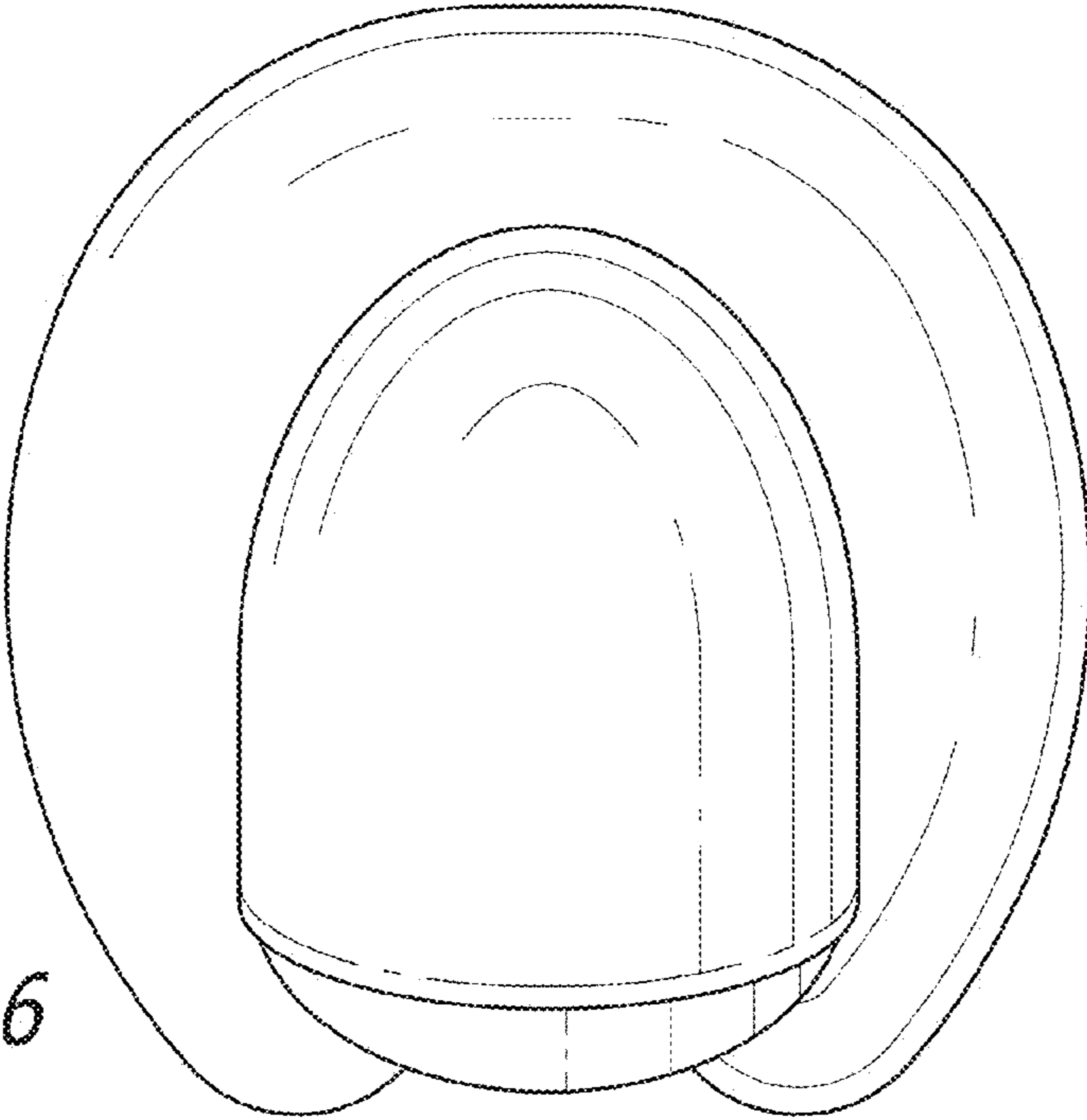


FIG. 6

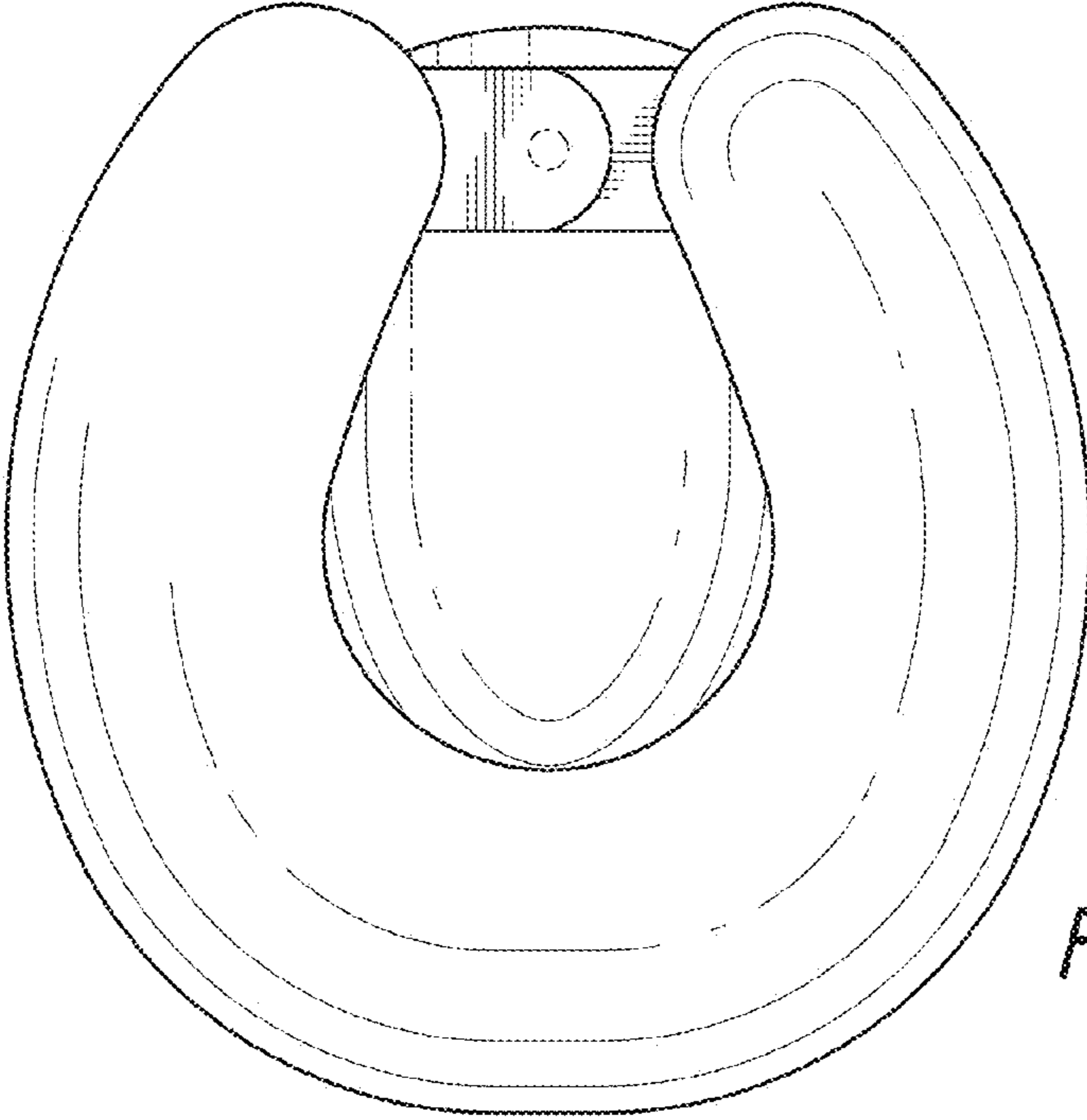


FIG. 7