



US00D685157S

(12) **United States Design Patent**  
**Lamb**

(10) **Patent No.:** **US D685,157 S**  
(45) **Date of Patent:** **\*\* Jul. 2, 2013**

(54) **SLEEP AID GARMENT**

(71) Applicant: **Bruce D. Lamb**, Lethbridge (CA)

(72) Inventor: **Bruce D. Lamb**, Lethbridge (CA)

(\*\*) Term: **14 Years**

(21) Appl. No.: **29/437,436**

(22) Filed: **Nov. 16, 2012**

(51) **LOC (9) Cl.** ..... **02-02**

(52) **U.S. Cl.**  
USPC ..... **D2/718; D2/743**

(58) **Field of Classification Search**  
USPC ..... D2/712, 713, 731, 732, 737, 738,  
D2/742, 743, 747, 748, 857, 983, 718; 2/79,  
2/227, 228, 235-238, 400, 403, 406, 247  
See application file for complete search history.

(56) **References Cited**

**U.S. PATENT DOCUMENTS**

2,304,235	A	12/1942	Boots	
4,513,455	A	4/1985	Gerhardt	
4,958,644	A	9/1990	Rodgers	
5,054,127	A *	10/1991	Zevchak	2/247
D333,903	S *	3/1993	Meredith	D2/731
5,357,981	A	10/1994	Eilam et al.	
D352,377	S	11/1994	Furman	
5,383,475	A	1/1995	Astin et al.	
D386,585	S *	11/1997	Blaeske, Jr.	D2/737
5,724,679	A	3/1998	Hans	
D398,139	S	9/1998	Galgon	
5,826,273	A *	10/1998	Eckes	2/69
5,870,777	A	2/1999	Hans	
5,913,407	A *	6/1999	Keyes	2/83
6,289,893	B1	9/2001	Levitt	

D458,732	S *	6/2002	Chain	D2/743
D481,194	S *	10/2003	Berube	D2/737
6,993,940	B2	2/2006	Rabinowicz et al.	
7,134,435	B2	11/2006	Scott	
D545,028	S *	6/2007	Myrick	D2/728
8,015,975	B2	9/2011	Zohlmann, Jr.	
D661,053	S *	6/2012	Weinshanker	D2/717
D661,466	S *	6/2012	Taft	D2/743
2003/0092544	A1 *	5/2003	Reed	482/105
2006/0091174	A1	5/2006	Mooney	
2006/0253954	A1 *	11/2006	Music	2/115
2011/0099682	A1 *	5/2011	Earley	2/115

\* cited by examiner

*Primary Examiner* — Rashida Johnson

(74) *Attorney, Agent, or Firm* — Montgomery Patent & Design; Robert C. Montgomery

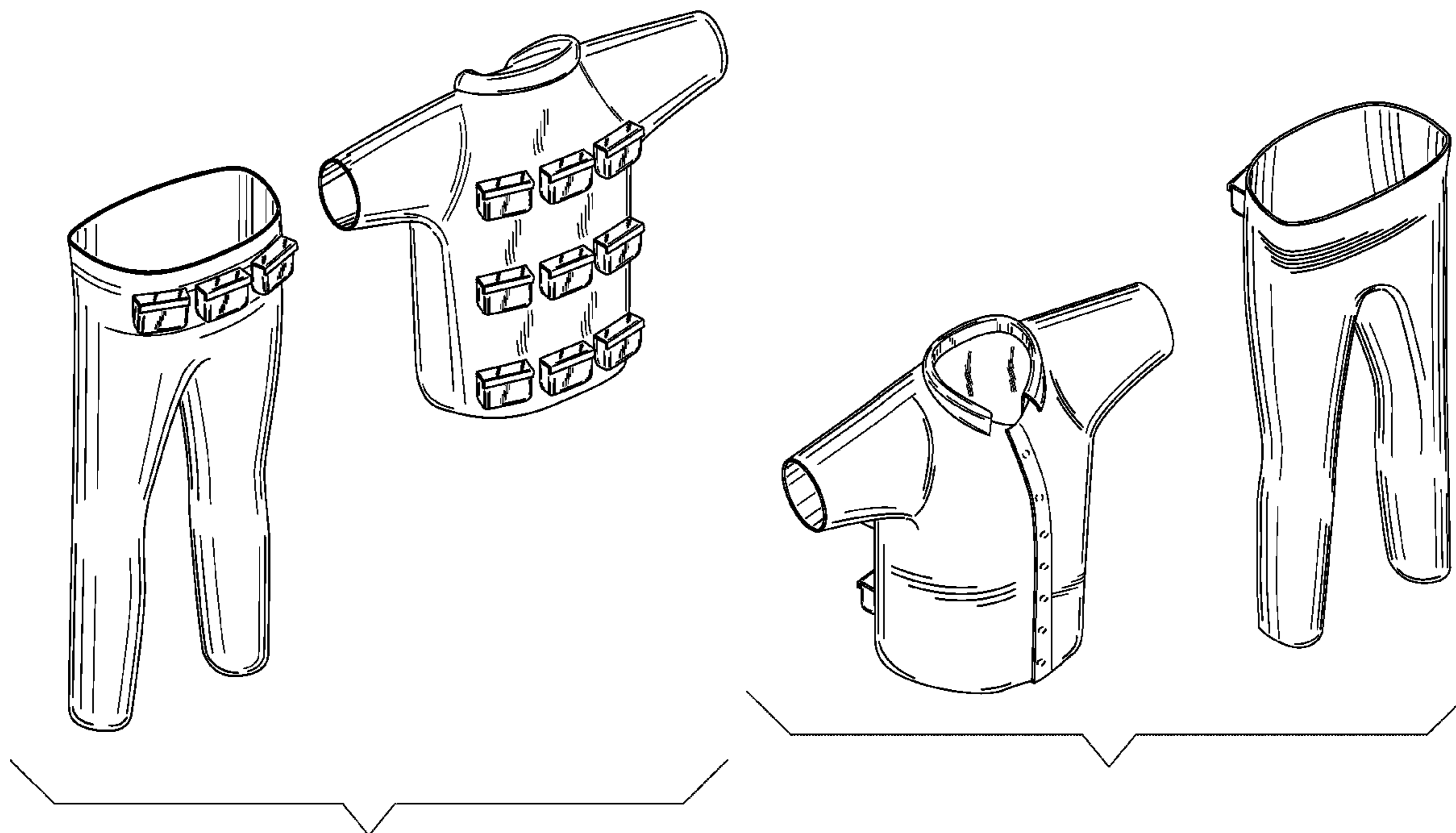
(57) **CLAIM**

The ornamental design for a sleep aid garment, as shown and described.

**DESCRIPTION**

FIG. 1 is a perspective rear view of a sleep aid garment, showing my new design;  
FIG. 2 is a perspective front view thereof;  
FIG. 3 is a front view thereof;  
FIG. 4 is a rear view thereof;  
FIG. 5 is a right view thereof;  
FIG. 6 is a left view thereof;  
FIG. 7 is a top view thereof; and,  
FIG. 8 is a bottom view thereof.  
The broken lines shown throughout the views represent the portions of the design, which form no part of the claim.

**1 Claim, 8 Drawing Sheets**



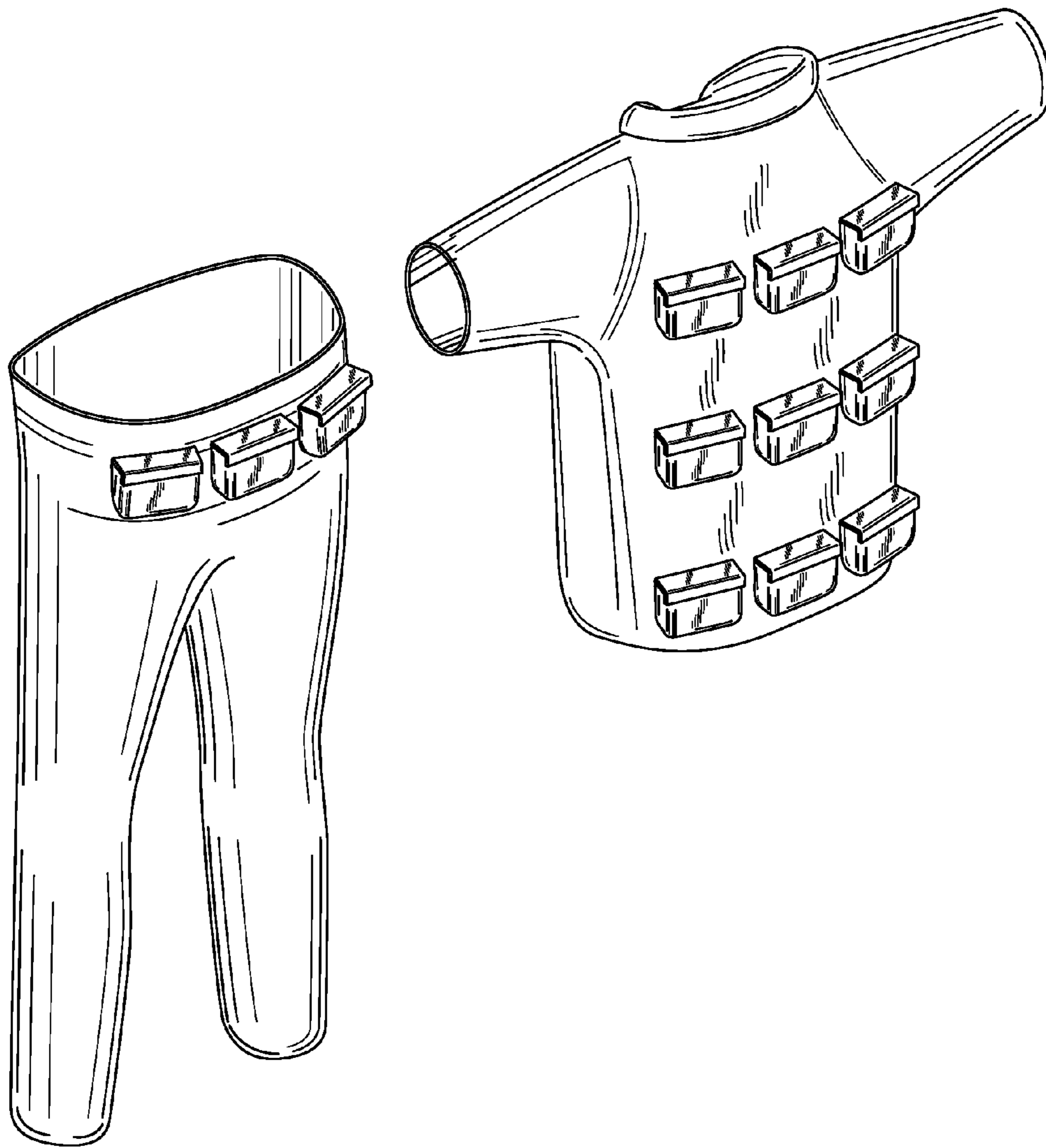


Fig. 1

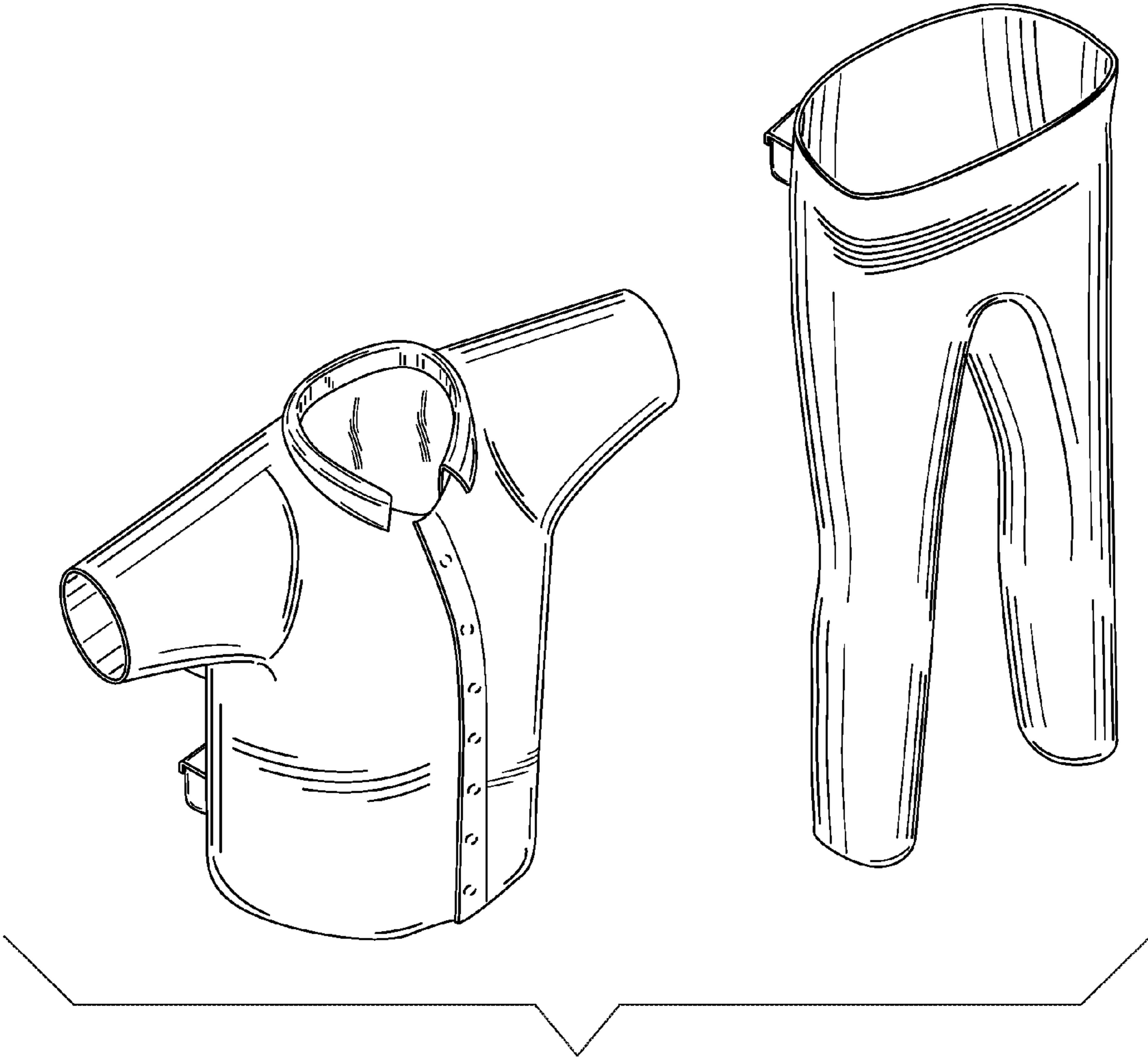


Fig. 2

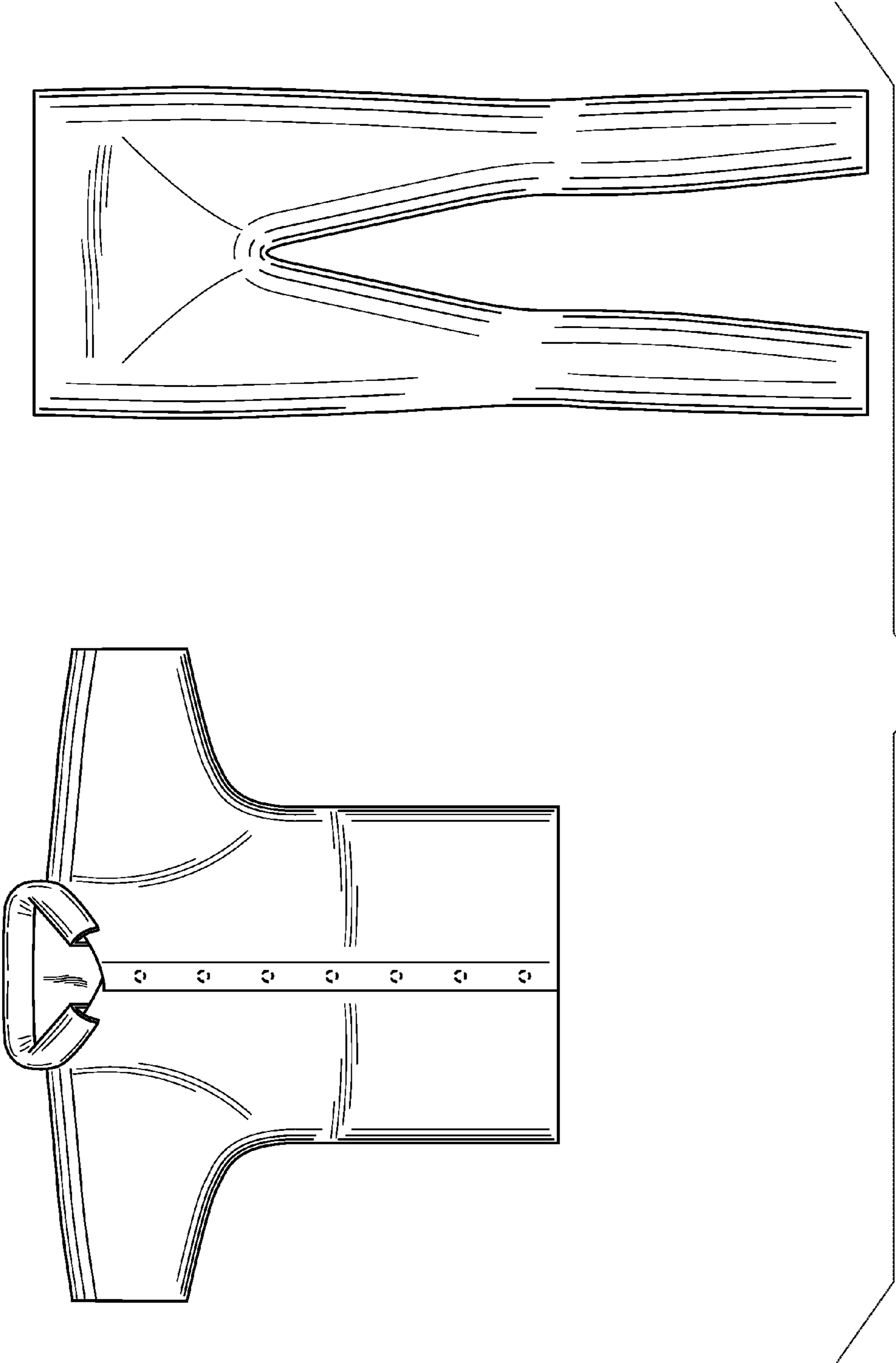


Fig. 3

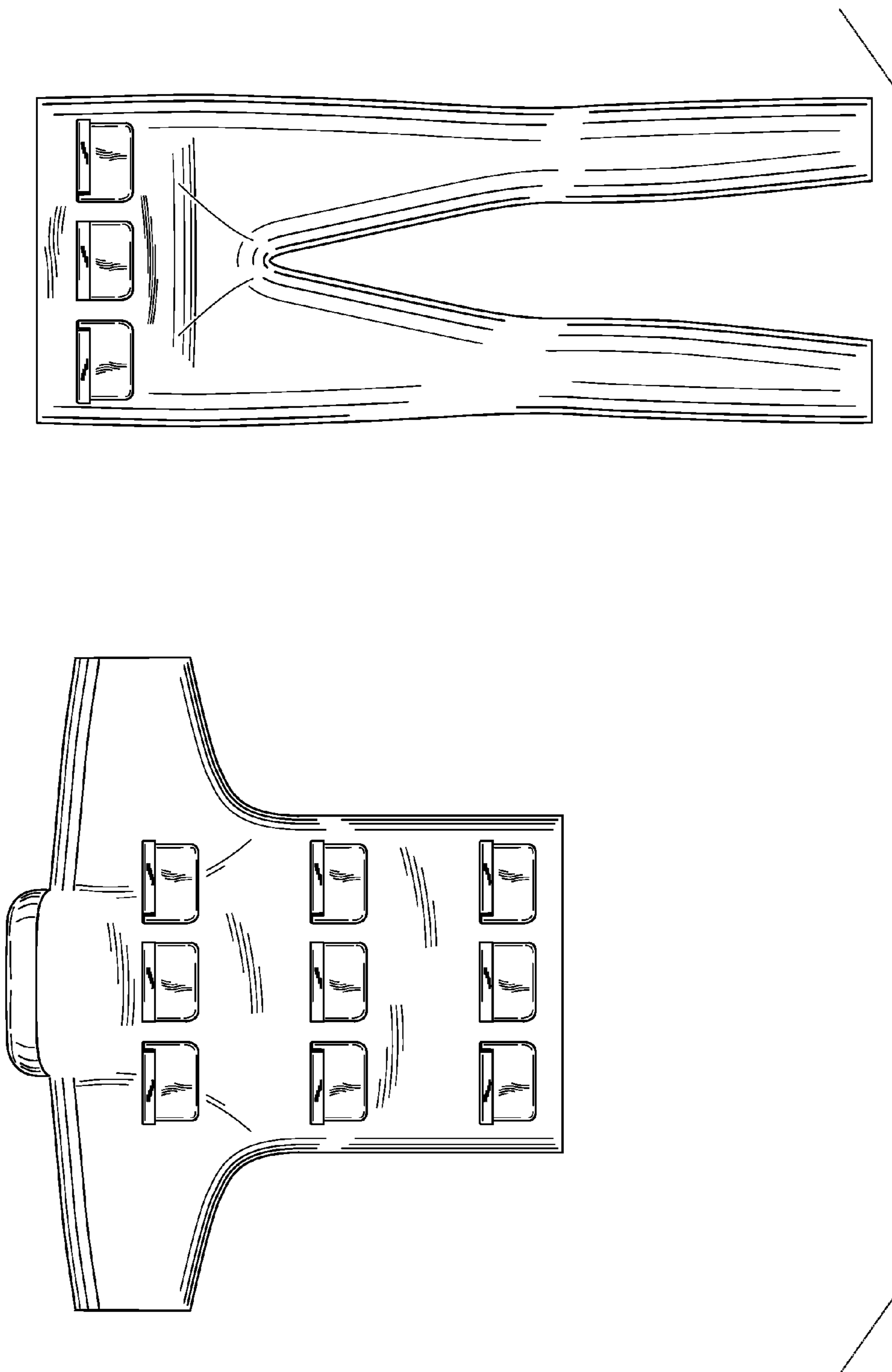


Fig. 4

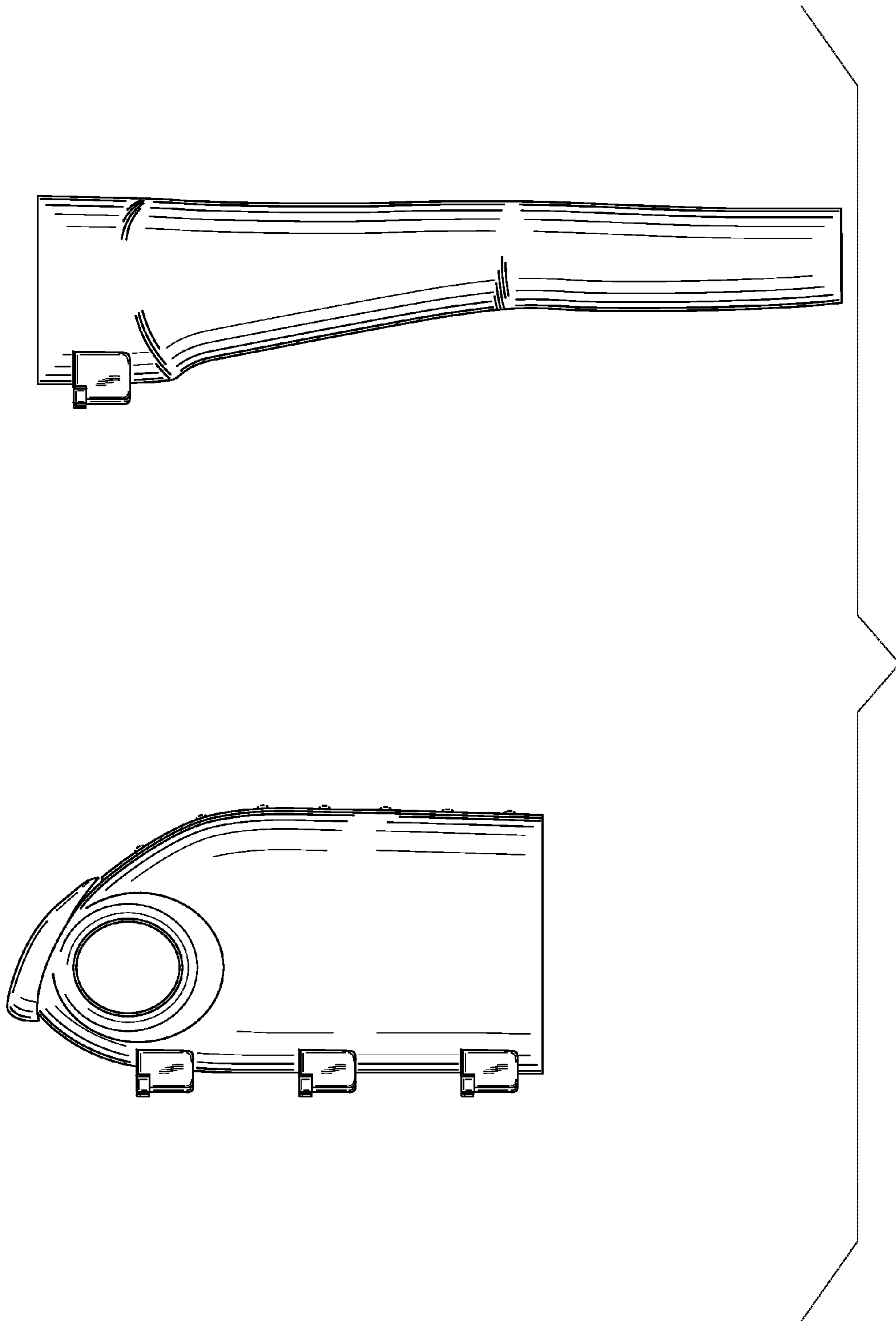


Fig. 5

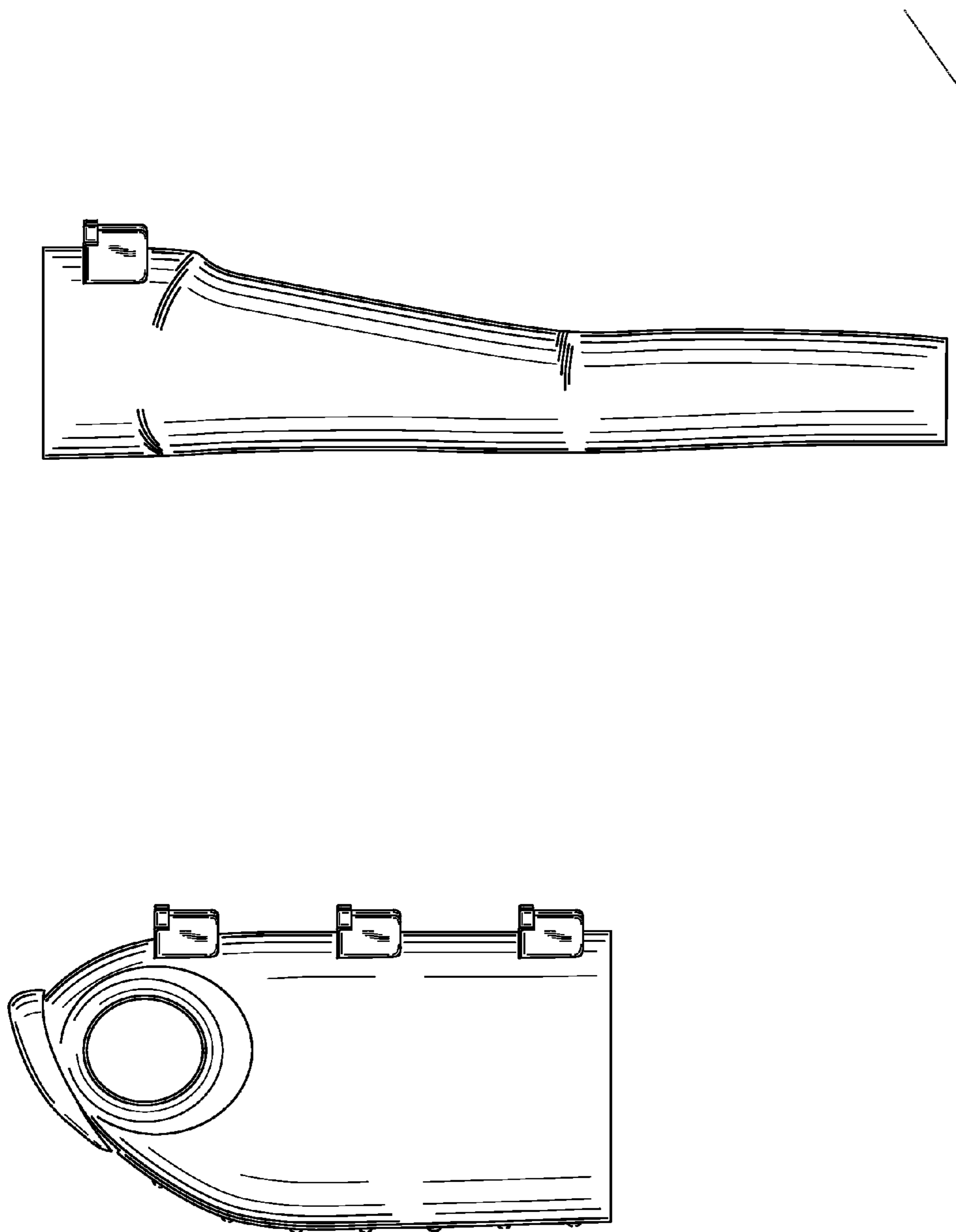


Fig. 6

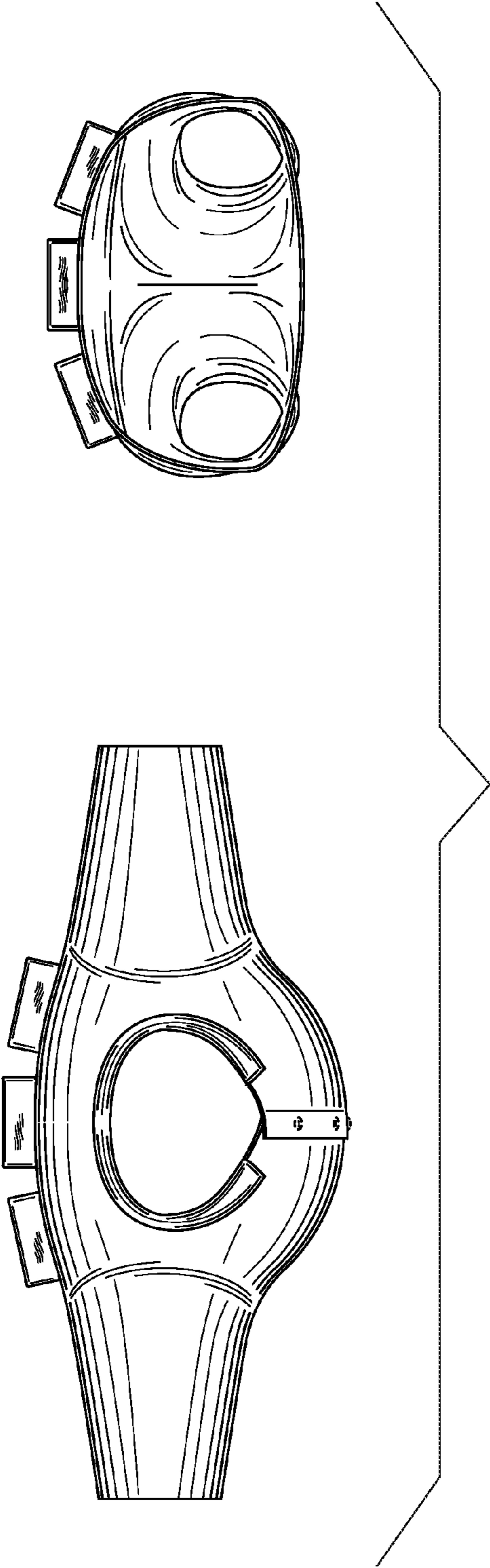


Fig. 7



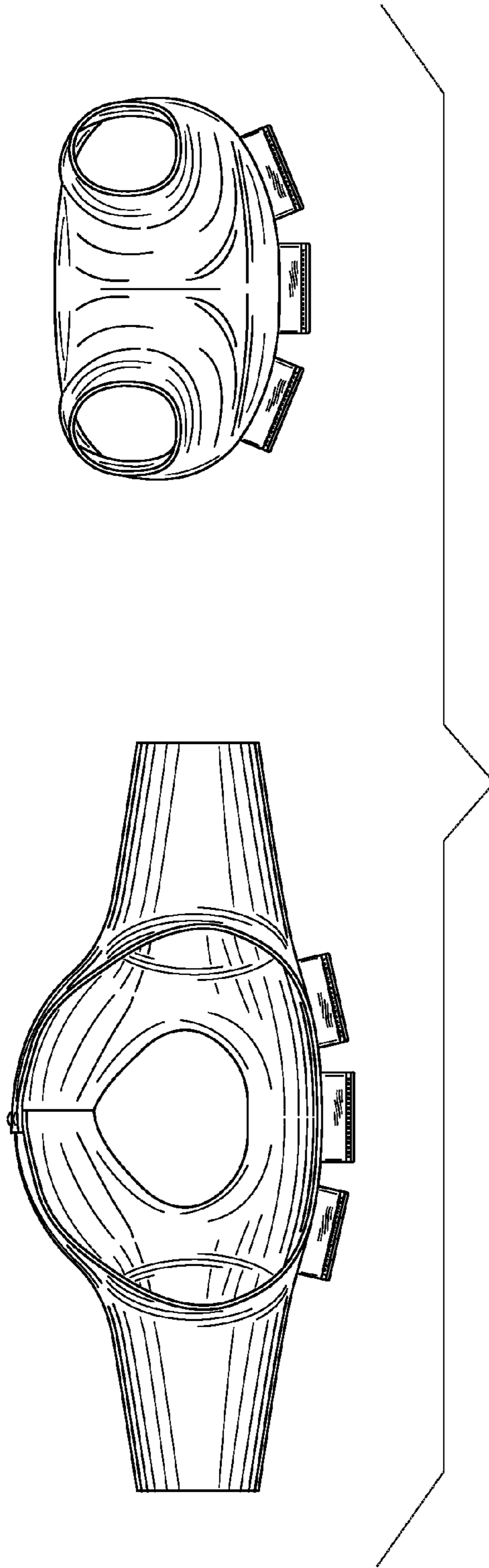


Fig. 8