



US00D685152S

(12) **United States Design Patent**
Smith

(10) **Patent No.:** **US D685,152 S**
(45) **Date of Patent:** **** Jun. 25, 2013**

(54) **DUSTER WITH EXTENDABLE HANDLE**

Primary Examiner — Robin V Webster

(71) Applicant: **Chad Smith**, Rogers, AR (US)

(74) *Attorney, Agent, or Firm* — Mark Murphy Henry

(72) Inventor: **Chad Smith**, Rogers, AR (US)

(57) **CLAIM**

(**) Term: **14 Years**

The ornamental design of a duster with an extendable handle, as shown and described.

(21) Appl. No.: **29/432,898**

DESCRIPTION

(22) Filed: **Sep. 21, 2012**

(51) **LOC (9) Cl.** **04-01**

(52) **U.S. Cl.**
USPC **D32/40**

(58) **Field of Classification Search**
USPC D32/40-46; 15/208, 209.1, 244.1-244.4,
15/229.11

See application file for complete search history.

FIG. 1 is a perspective view of the duster with extendable handle in use.

FIG. 2 is a perspective view of the duster with extendable handle.

FIG. 3 is a right side view of the duster with extendable handle.

FIG. 4 is a rear view of the duster with extendable handle.

FIG. 5 is a left side view of the duster with extendable handle.

FIG. 6 is a front view of the duster with extendable handle.

FIG. 7 is a top view of the duster with extendable handle; and,

FIG. 8 is a bottom view of the duster with extendable handle.

The handle is show fragmented in FIGS. 2-6 to indicate non-specified length.

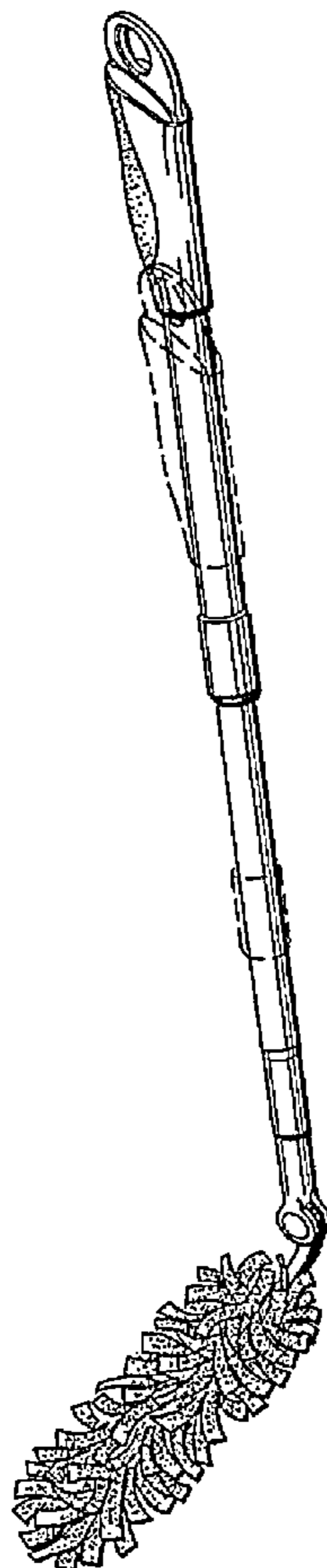
(56) **References Cited**

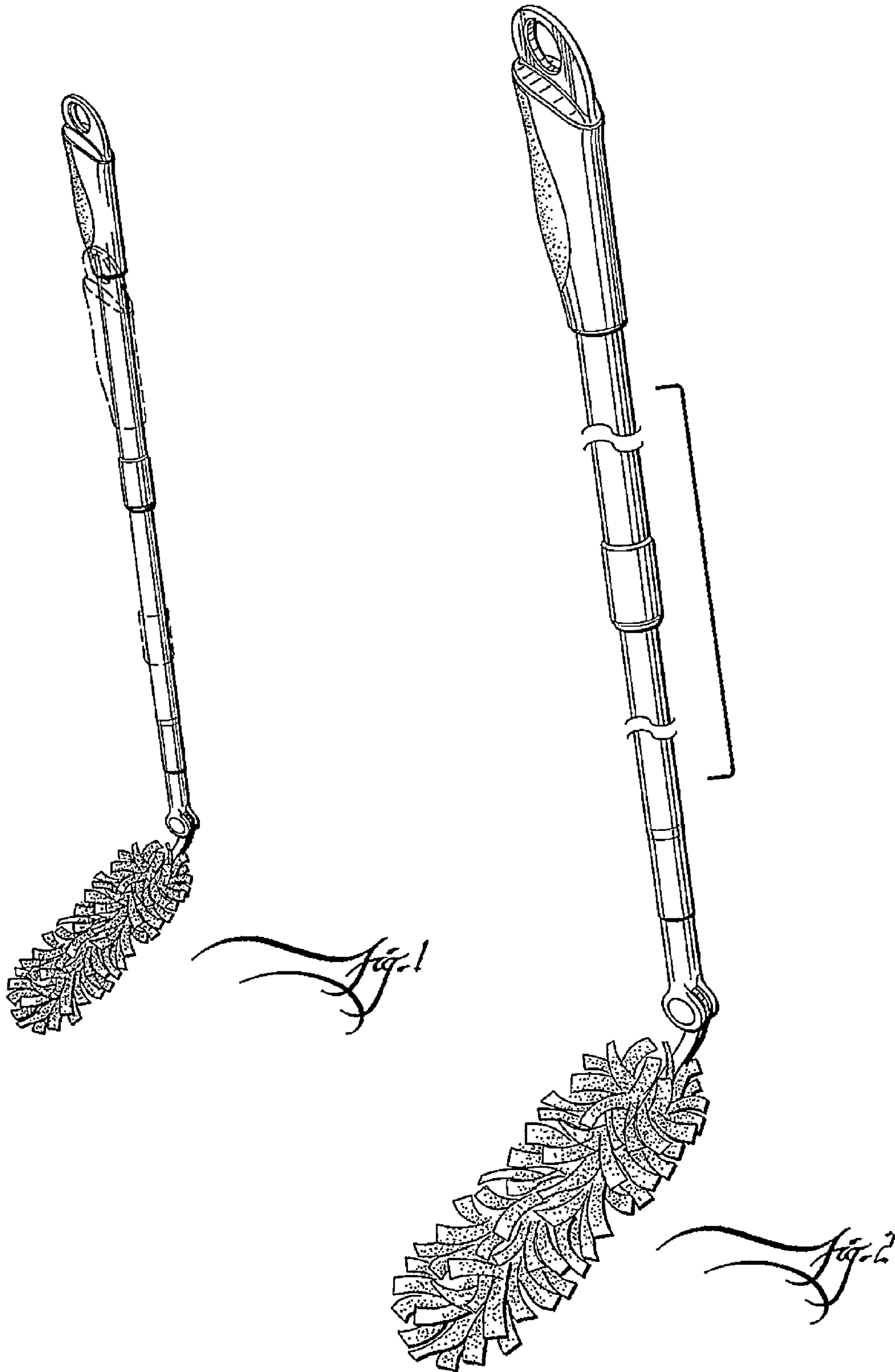
U.S. PATENT DOCUMENTS

D284,126 S * 6/1986 Landwehrmann D32/40

* cited by examiner

1 Claim, 4 Drawing Sheets





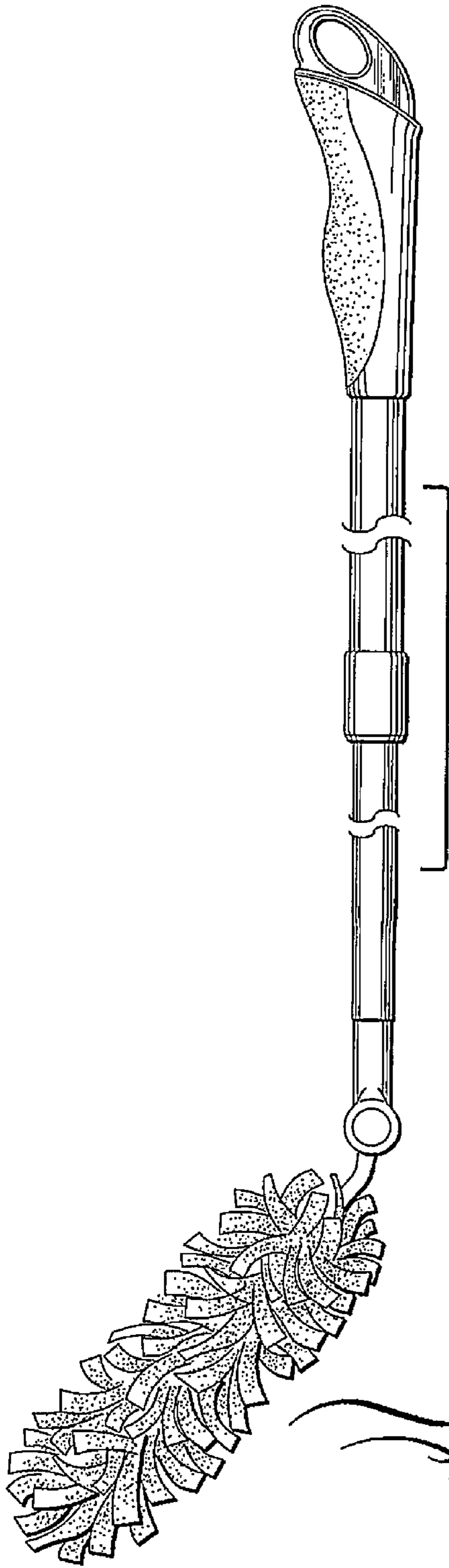


Fig. 3

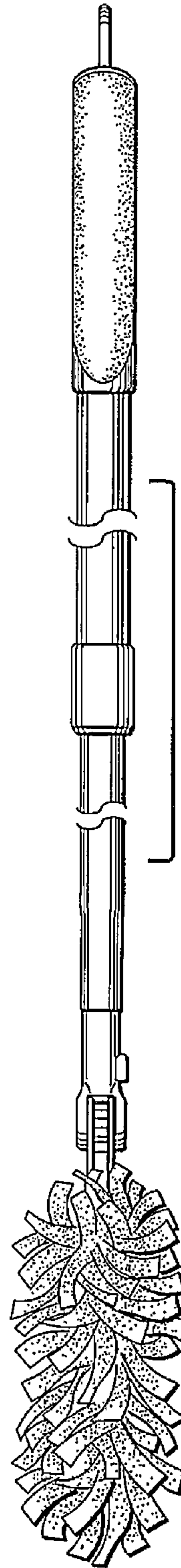
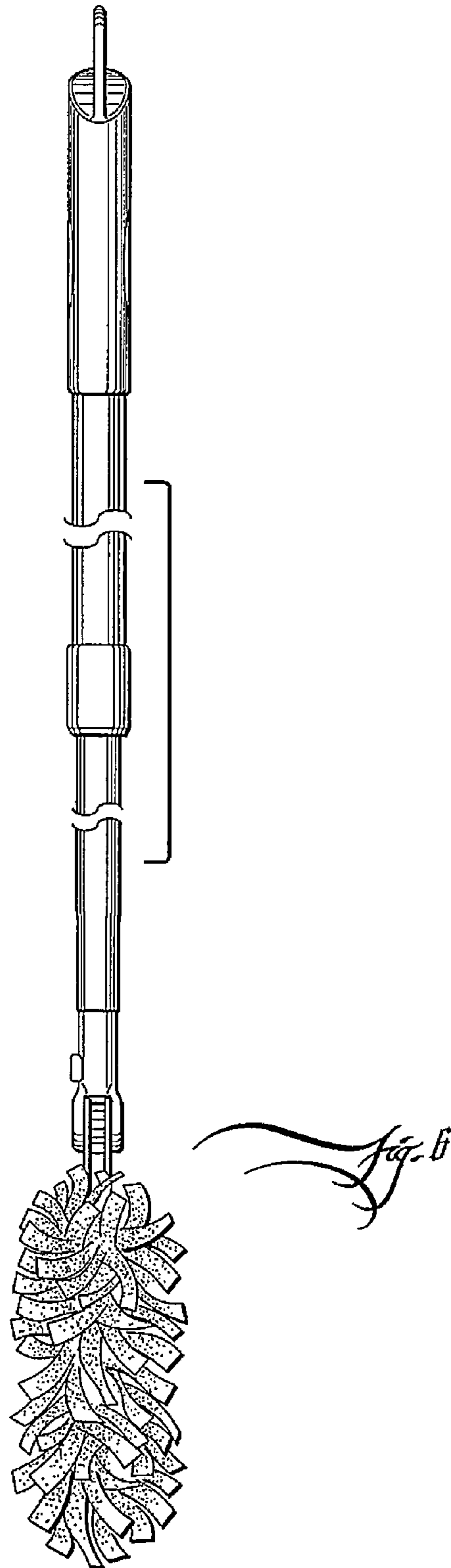
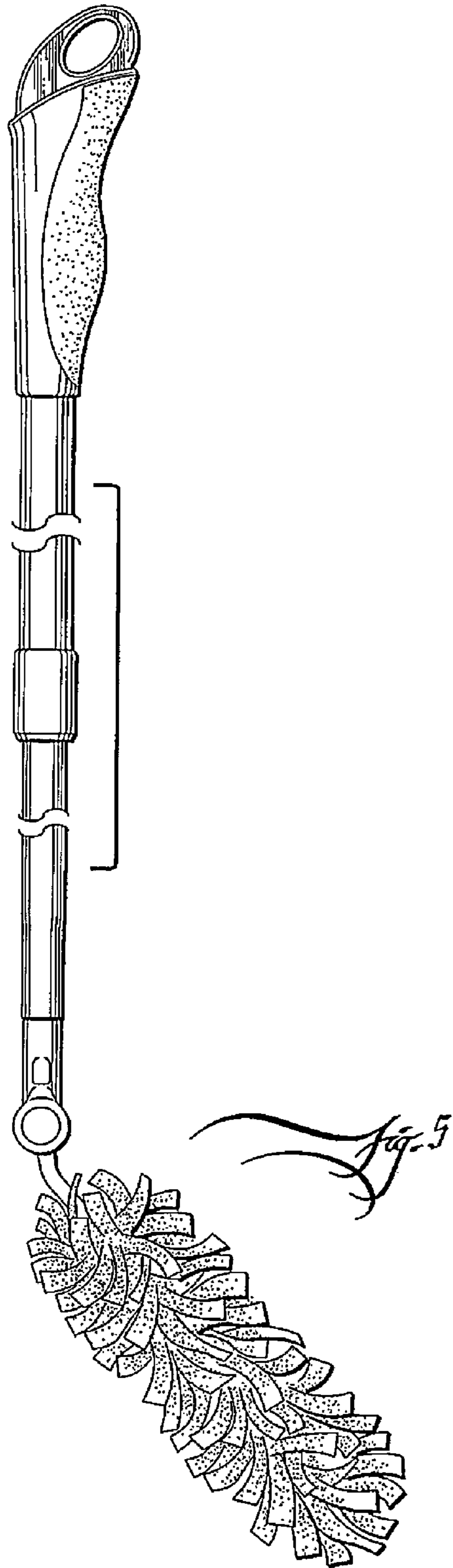


Fig. 4



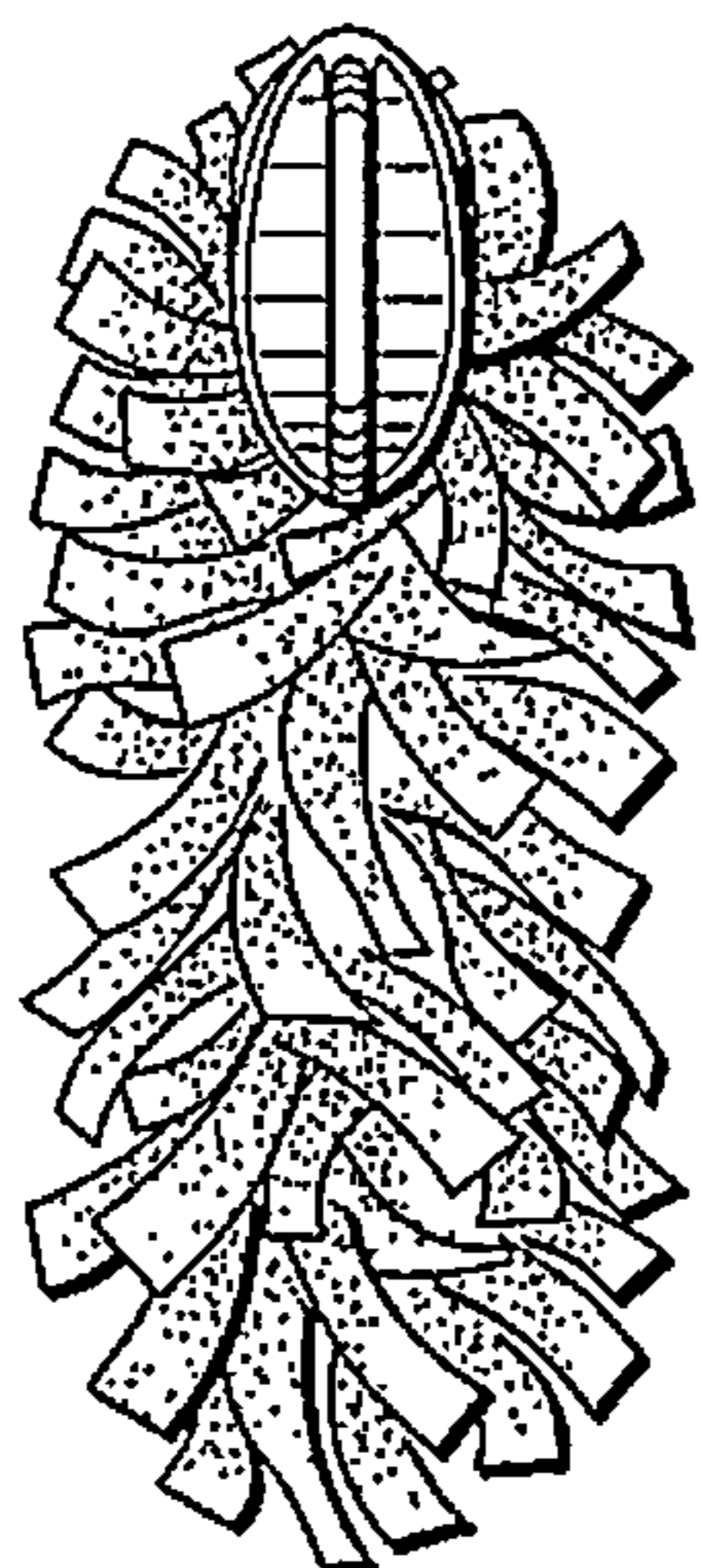


Fig. 7

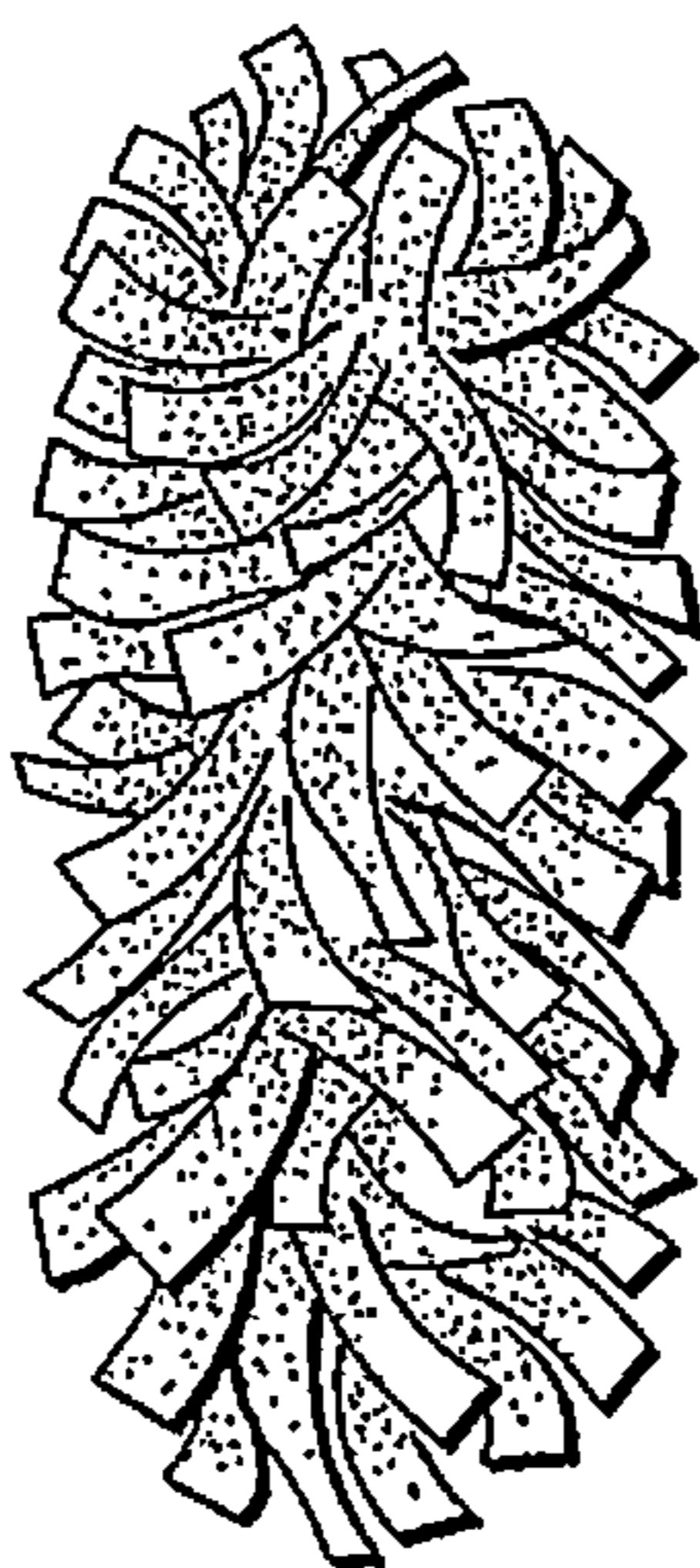


Fig. 8