



US00D685148S

(12) **United States Design Patent**
Khalili

(10) **Patent No.:** **US D685,148 S**
(45) **Date of Patent:** **** Jun. 25, 2013**

(54) **PET LITTER BOX WITH A PAW-CLEANING SCREEN**

(76) Inventor: **Kevin Khalili**, Santa Barbara, CA (US)

(**) Term: **14 Years**

(21) Appl. No.: **29/431,565**

(22) Filed: **Sep. 8, 2012**

(51) **LOC (9) Cl.** **30-99**

(52) **U.S. Cl.**
USPC **D30/161**

(58) **Field of Classification Search**
USPC D30/111, 112, 118, 161, 199; 119/28.5,
119/161-170
See application file for complete search history.

(56) **References Cited**

U.S. PATENT DOCUMENTS

860,379	A *	7/1907	Hodes	135/88.02
3,885,523	A *	5/1975	Coleman	119/165
4,190,525	A *	2/1980	Menzel	119/166
5,092,277	A	3/1992	Baillie et al.	
5,195,464	A *	3/1993	Mutter	119/165
5,211,133	A *	5/1993	Foley	119/166
5,329,878	A	7/1994	McCauley	
5,361,725	A	11/1994	Baillie	
D370,316	S *	5/1996	Merino	D30/161
D373,663	S	9/1996	Walter	
5,676,090	A	10/1997	Cannady, Jr.	
5,701,845	A *	12/1997	Jablonski et al.	119/166
5,806,461	A	9/1998	Kiera	
6,176,201	B1	1/2001	Fields	
6,371,048	B1	4/2002	Smith	

6,412,440	B2	7/2002	Kobayashi	
6,439,165	B1 *	8/2002	Guard	119/496
D463,887	S	10/2002	Walter	
D467,041	S *	12/2002	Cortes-Reuter	D30/109
6,659,045	B2	12/2003	Thompson	
6,951,190	B2	10/2005	Northrup	
7,011,042	B2	3/2006	Martello	
D527,498	S *	8/2006	Lewis, II	D30/161
7,267,077	B1 *	9/2007	Brassfield	119/28.5
D591,463	S *	4/2009	Plante	D30/161
D625,057	S	10/2010	Teper	
7,987,818	B2 *	8/2011	Matsuo et al.	119/168
D646,444	S *	10/2011	Lawson et al.	D30/161
D651,772	S *	1/2012	Weber	D30/161
2004/0129230	A1	7/2004	Northrop et al.	
2009/0250014	A1	10/2009	Juan	

* cited by examiner

Primary Examiner — Cathy A MacCormac

(74) *Attorney, Agent, or Firm* — Guy Cumberbatch

(57) **CLAIM**

I claim the ornamental design for a pet litter box with a paw-cleaning screen.

DESCRIPTION

FIG. 1 is a perspective view of a pet litter box with a paw-cleaning screen of the present application; FIG. 2 is a left side view of the pet litter box; the right side view being a mirror image of the side shown; FIG. 3 is a front view of the pet litter box; FIG. 4 is a rear view of the pet litter box; FIG. 5 is a top view of the pet litter box; and, FIG. 6 is a bottom view of the pet litter box.

1 Claim, 4 Drawing Sheets

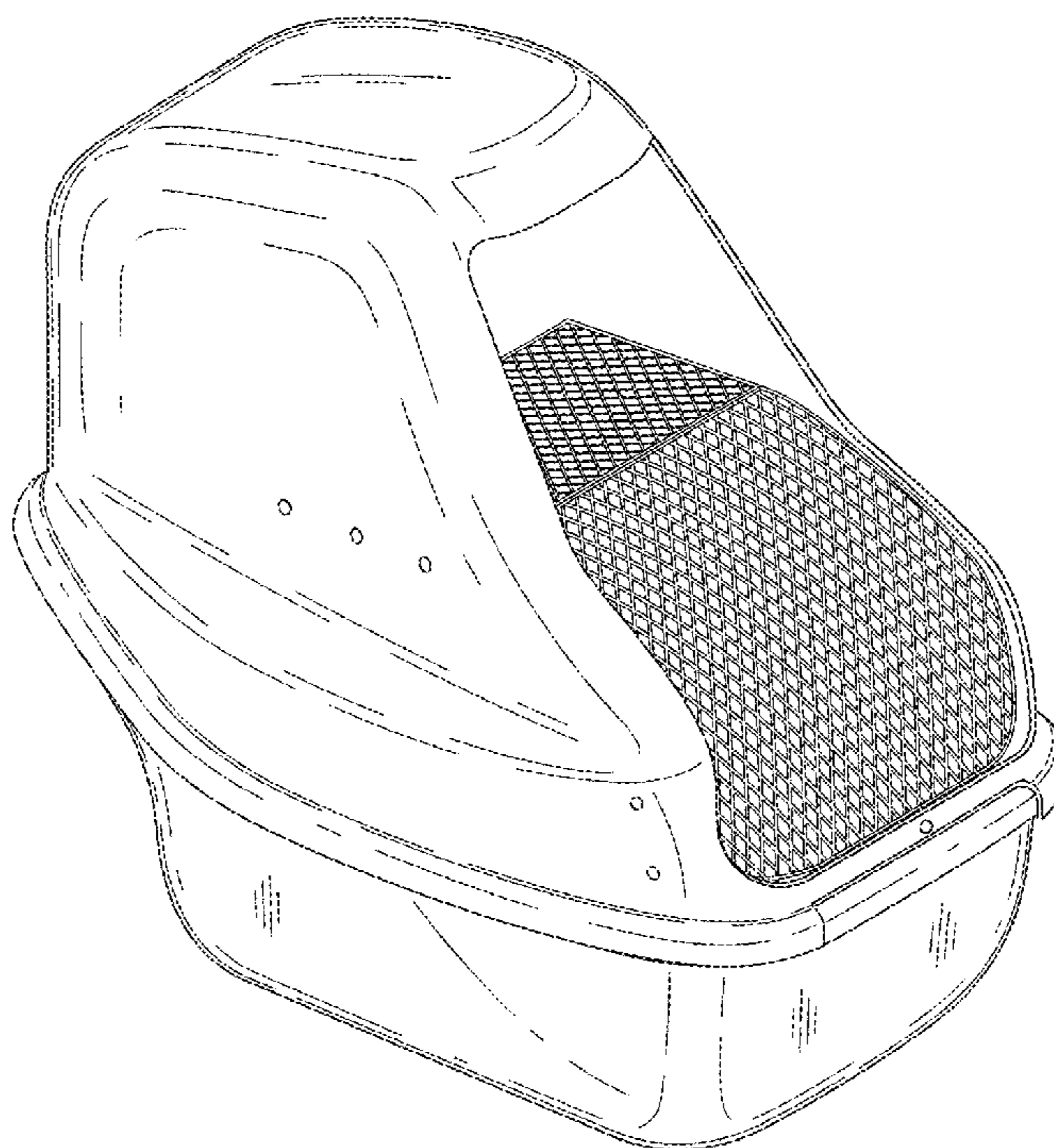


Fig. 1

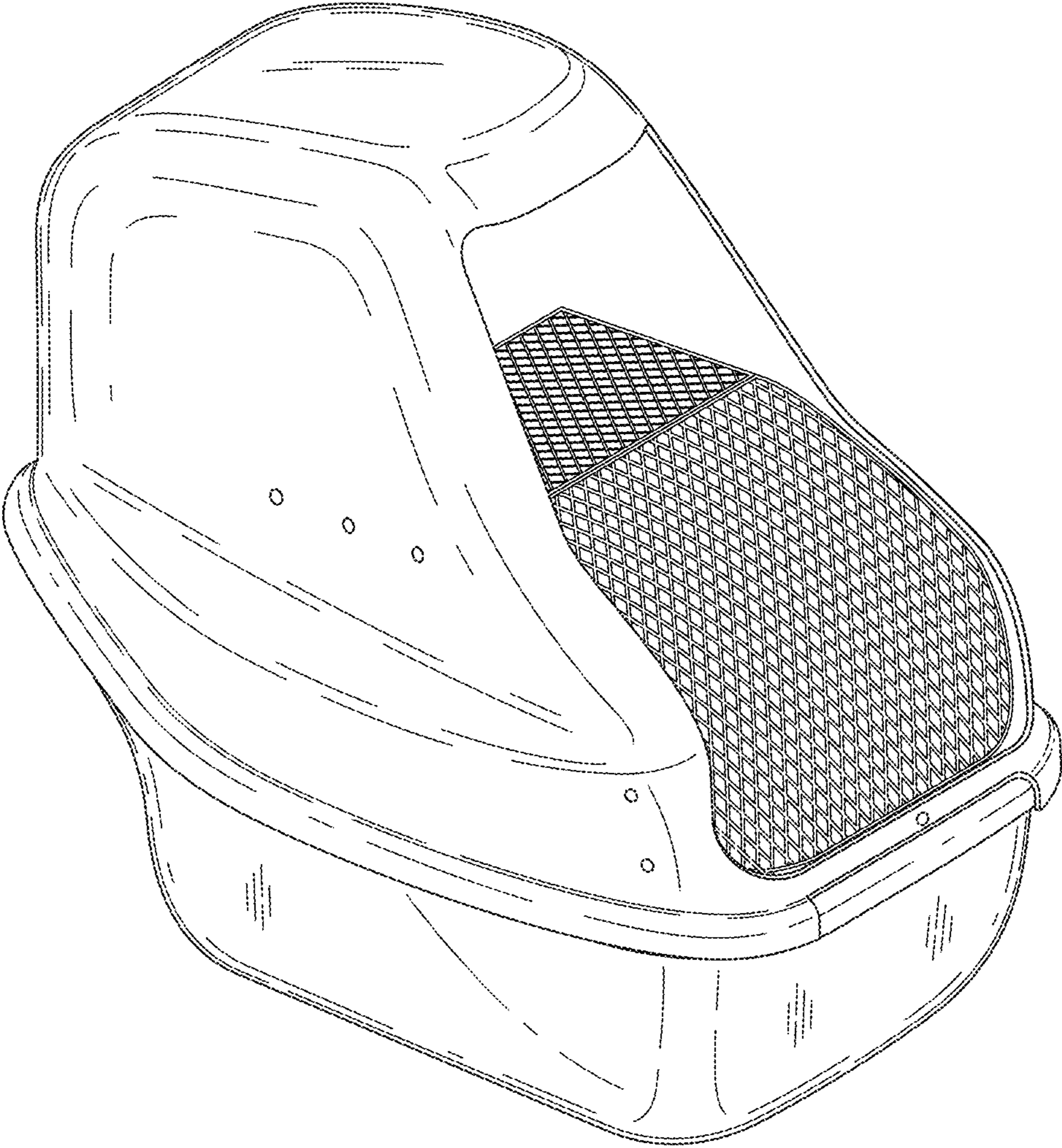


Fig. 2

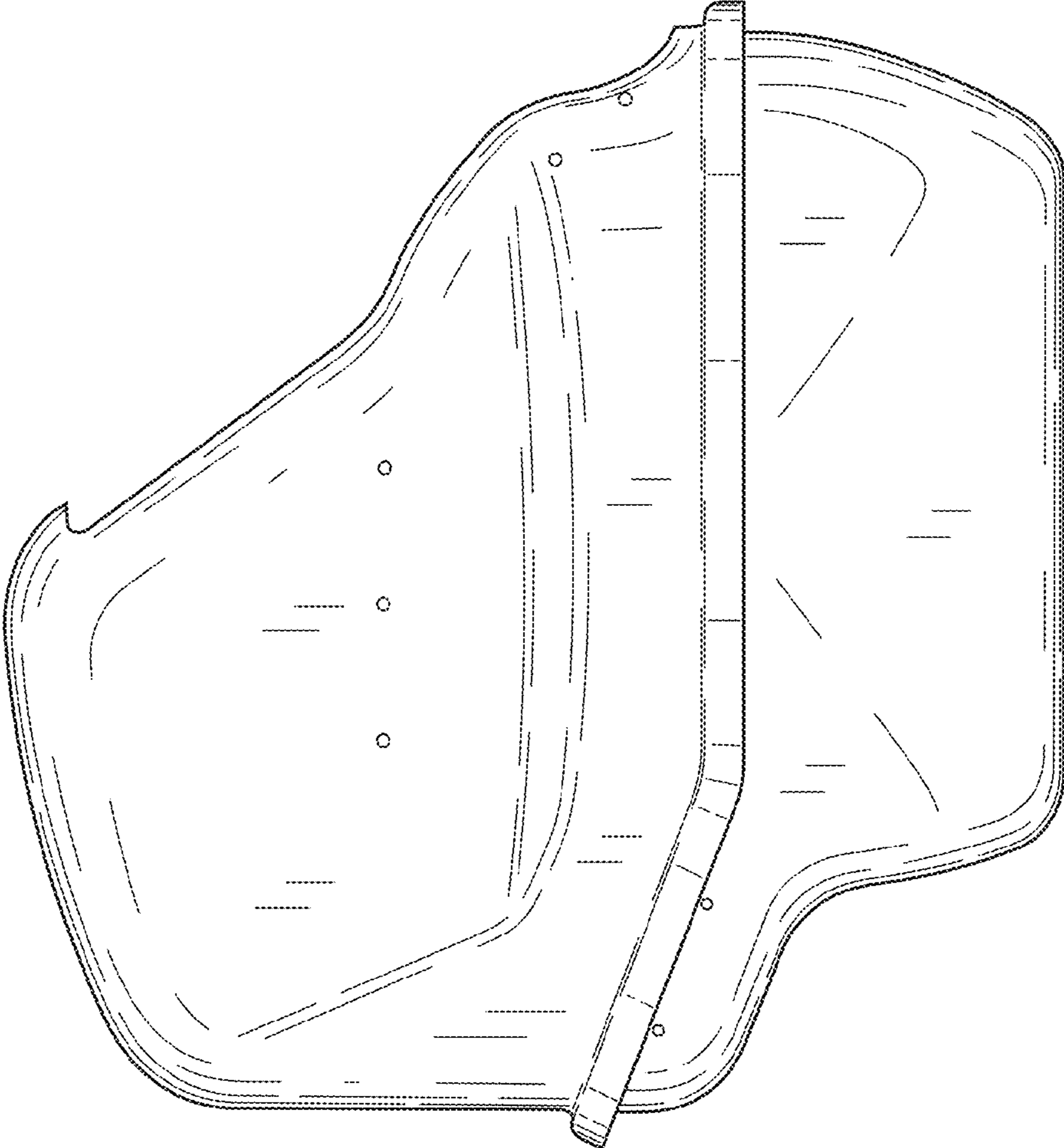


Fig. 4

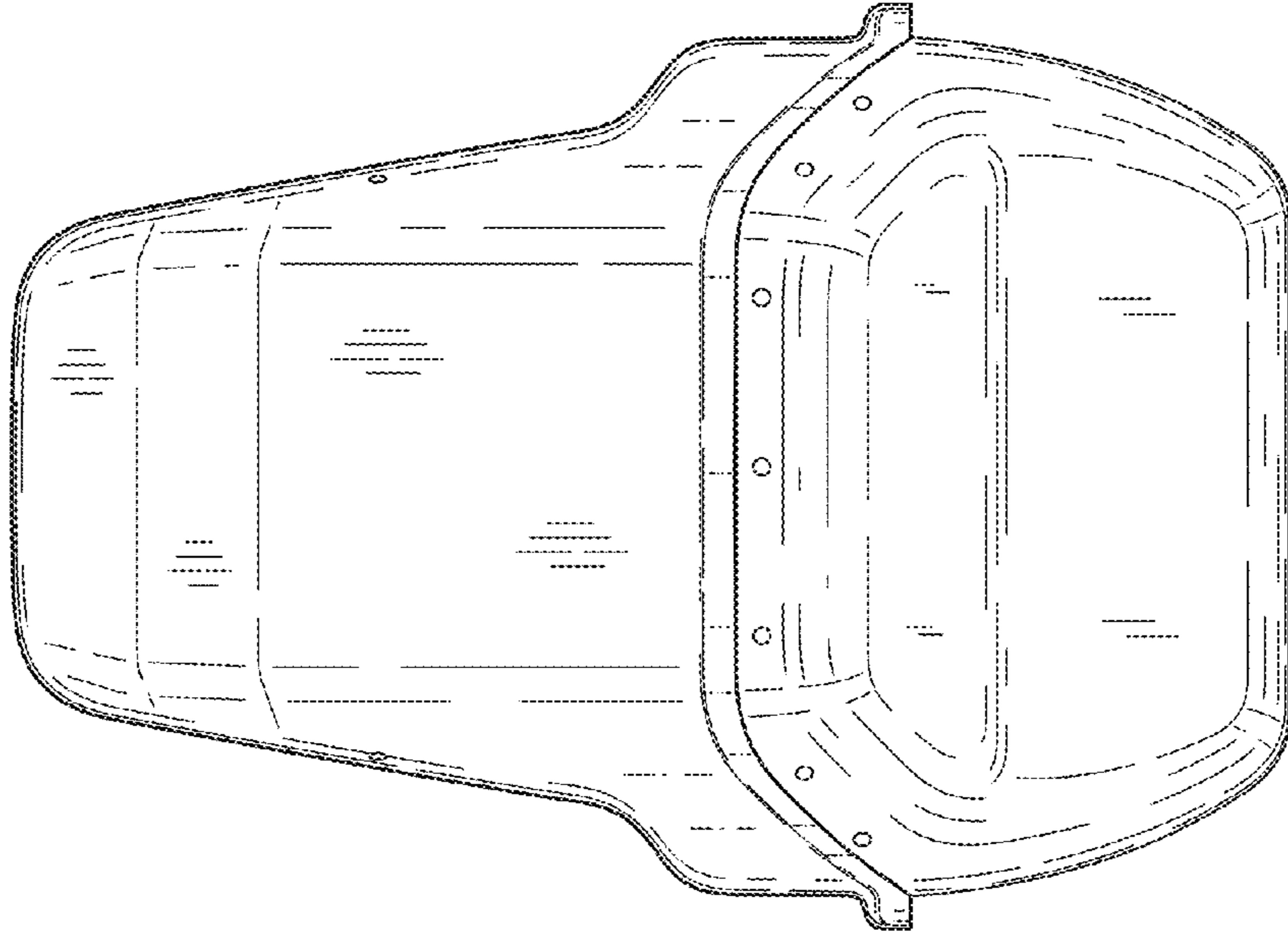


Fig. 3

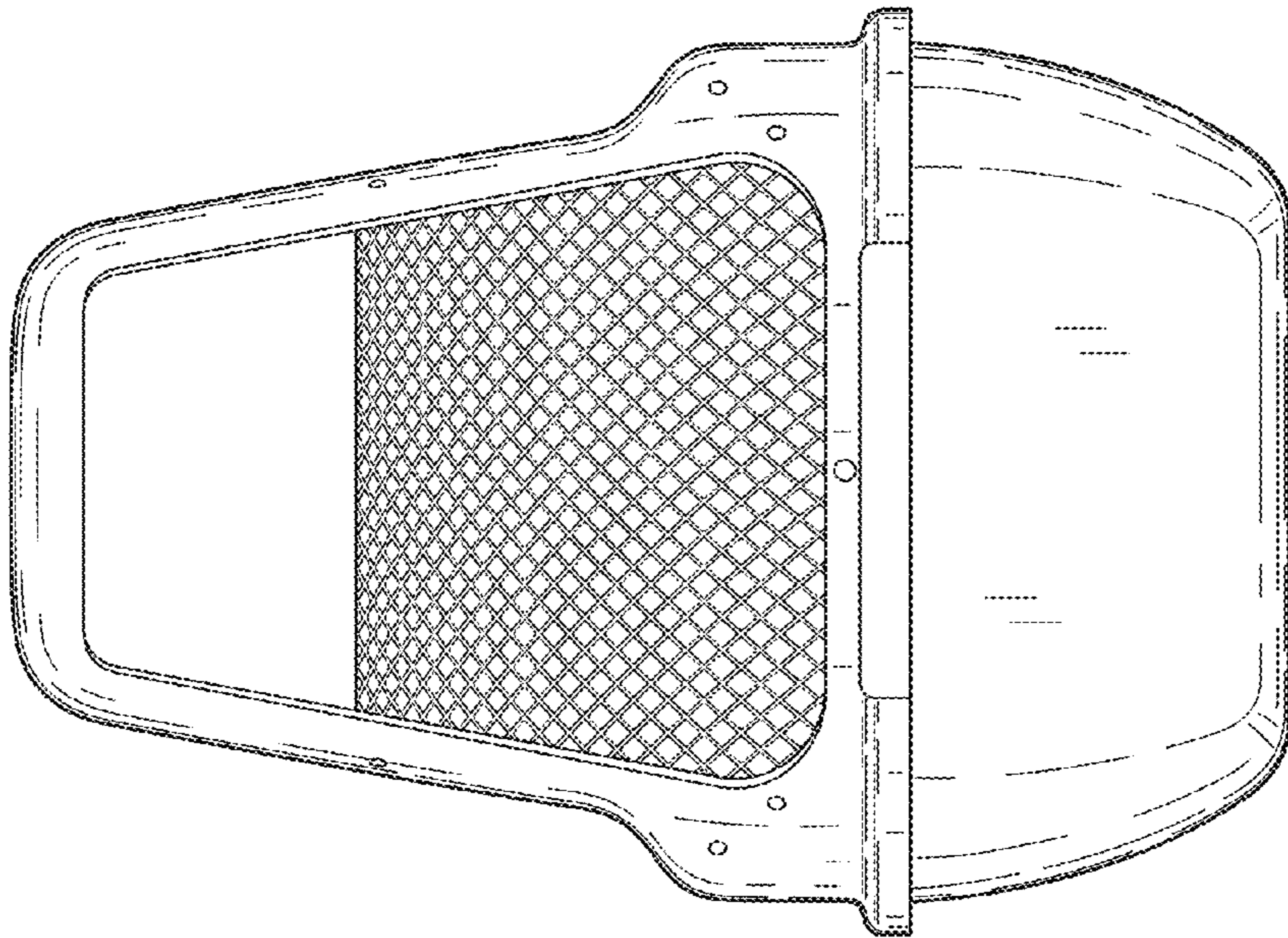


Fig. 6

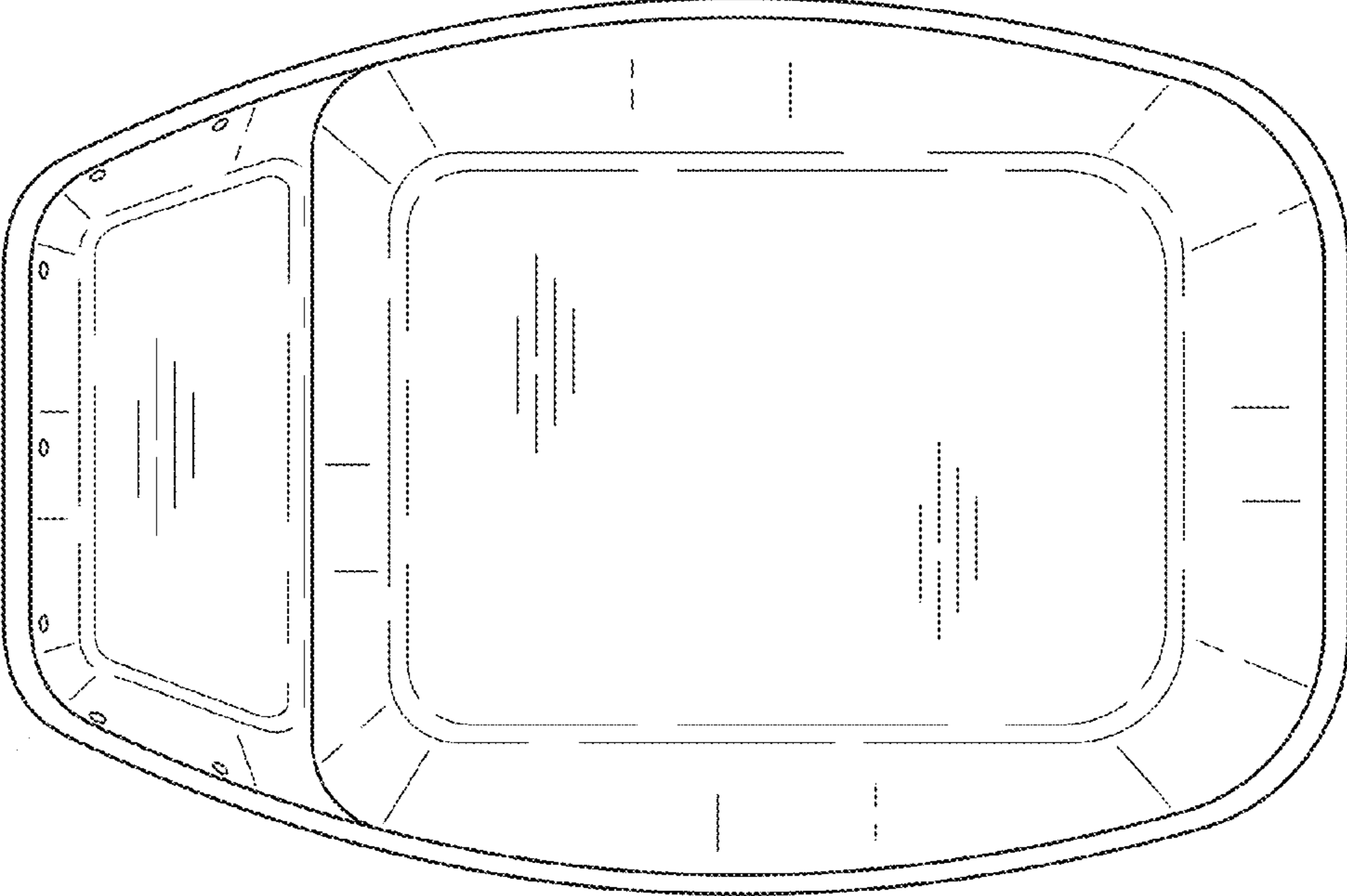


Fig. 5

