



US00D685146S

(12) **United States Design Patent**
Stiles

(10) **Patent No.:** **US D685,146 S**
(45) **Date of Patent:** **** Jun. 25, 2013**

(54) **DOG TOY**
(75) Inventor: **Carey B. Stiles**, Milan, OH (US)
(73) Assignee: **Hueter Toledo, Inc.**, Bellevue, OH (US)
(**) Term: **14 Years**
(21) Appl. No.: **29/431,670**

7,263,952 B1 * 9/2007 Tsengas 119/709
D556,393 S * 11/2007 Rutherford et al. D30/160
D565,669 S * 4/2008 Sullivan D21/401
D577,868 S * 9/2008 Rutherford et al. D30/160
D588,203 S * 3/2009 Anderson D21/405
D608,510 S * 1/2010 Rutherford et al. D30/160
7,736,212 B2 * 6/2010 Willinger 446/184
D636,541 S * 4/2011 Oblack et al. D30/160
D645,641 S * 9/2011 Mingyun et al. D1/199
D658,817 S * 5/2012 Costello et al. D30/121

* cited by examiner

(22) Filed: **Sep. 10, 2012**
(51) **LOC (9) Cl.** **30-99**
(52) **U.S. Cl.**
USPC **D30/160**

Primary Examiner — Cathy A MacCormac
(74) *Attorney, Agent, or Firm* — Fraser Clemens Martin & Miller LLC; James D. Miller

(58) **Field of Classification Search**
USPC D30/118, 158, 160, 199; 119/28.5,
119/702, 706–711; D1/106, 116, 118, 130,
D1/199; D21/406; D24/194; 473/569–570,
473/596; 606/234–236

(57) **CLAIM**
The ornamental design for a dog toy, as shown and described.

See application file for complete search history.

DESCRIPTION

(56) **References Cited**

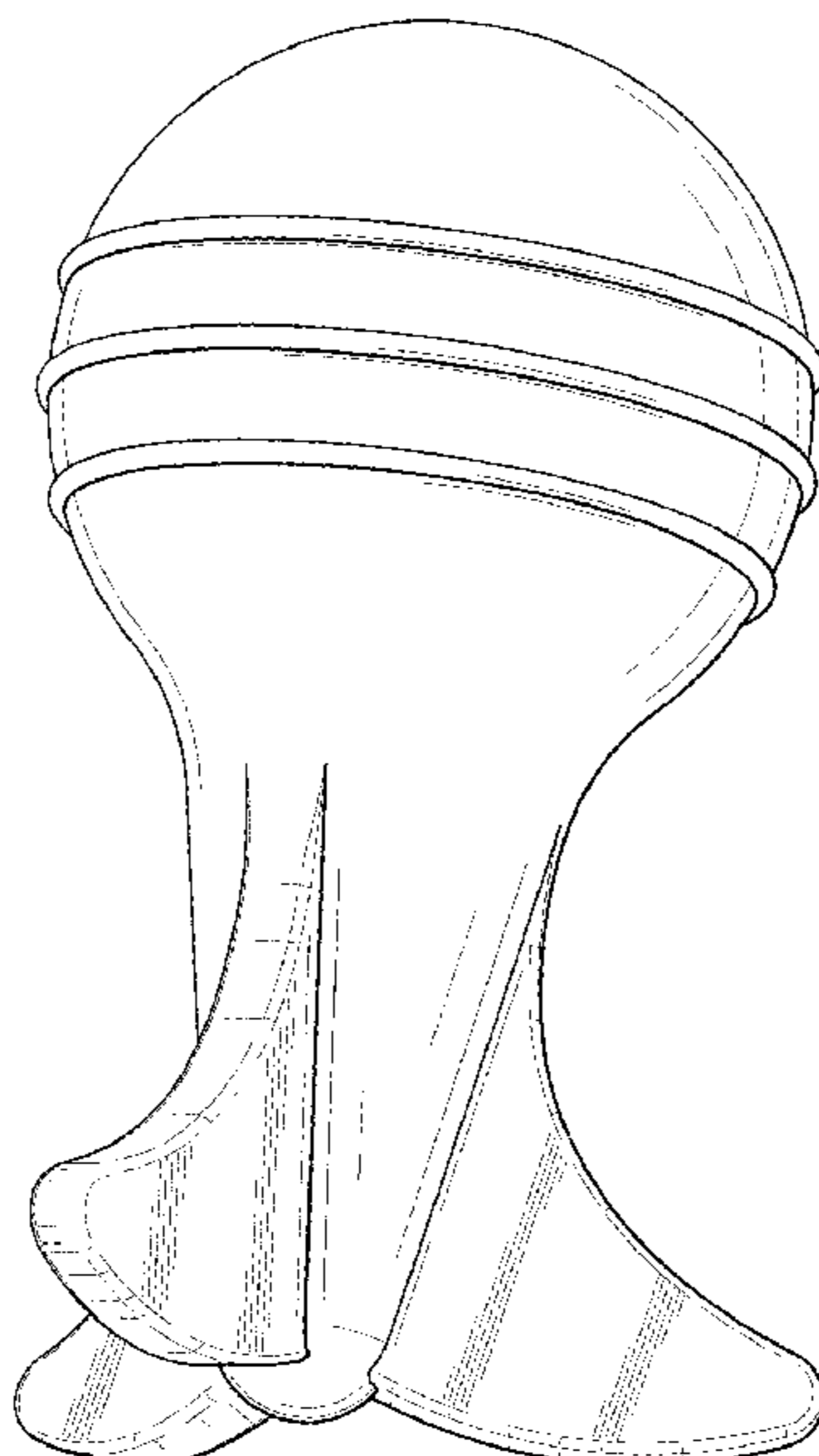
FIG. 1 is a perspective view of a dog toy incorporating my new design, showing the dog toy with three fins;
FIG. 2 is a top plan view of the dog toy illustrated in FIG. 1;
FIG. 3 is a bottom plan view thereof;
FIG. 4 is a front elevational view thereof;
FIG. 5 is a rear elevational view thereof; and,
FIG. 6 is a left side elevational view thereof.
The right side elevational view of the dog toy illustrated in FIGS. 1-6 is a mirror image of the left side elevational view illustrated in FIG. 6, and therefore, has not been shown in the drawings.

U.S. PATENT DOCUMENTS

3,225,488 A * 12/1965 Goldfarb 446/224
5,269,514 A * 12/1993 Adler et al. 473/596
5,306,191 A * 4/1994 Phillips et al. 446/61
5,458,329 A * 10/1995 Bushman et al. 473/613
D380,879 S * 7/1997 Hernandez D30/160
D382,927 S * 8/1997 McGowen et al. D21/712
D419,613 S * 1/2000 Larsen D21/440
6,042,494 A * 3/2000 Rappaport et al. 473/613
6,220,918 B1 * 4/2001 Laronge 446/63
D442,655 S * 5/2001 Schneider D21/712
D460,587 S * 7/2002 Huettner D30/160
6,669,587 B2 * 12/2003 Kessler 473/613
D486,236 S * 2/2004 Nan D24/215
D536,506 S * 2/2007 Unlu D1/106

The ornamental design which is claimed is shown in solid lines in the drawings.

1 Claim, 4 Drawing Sheets



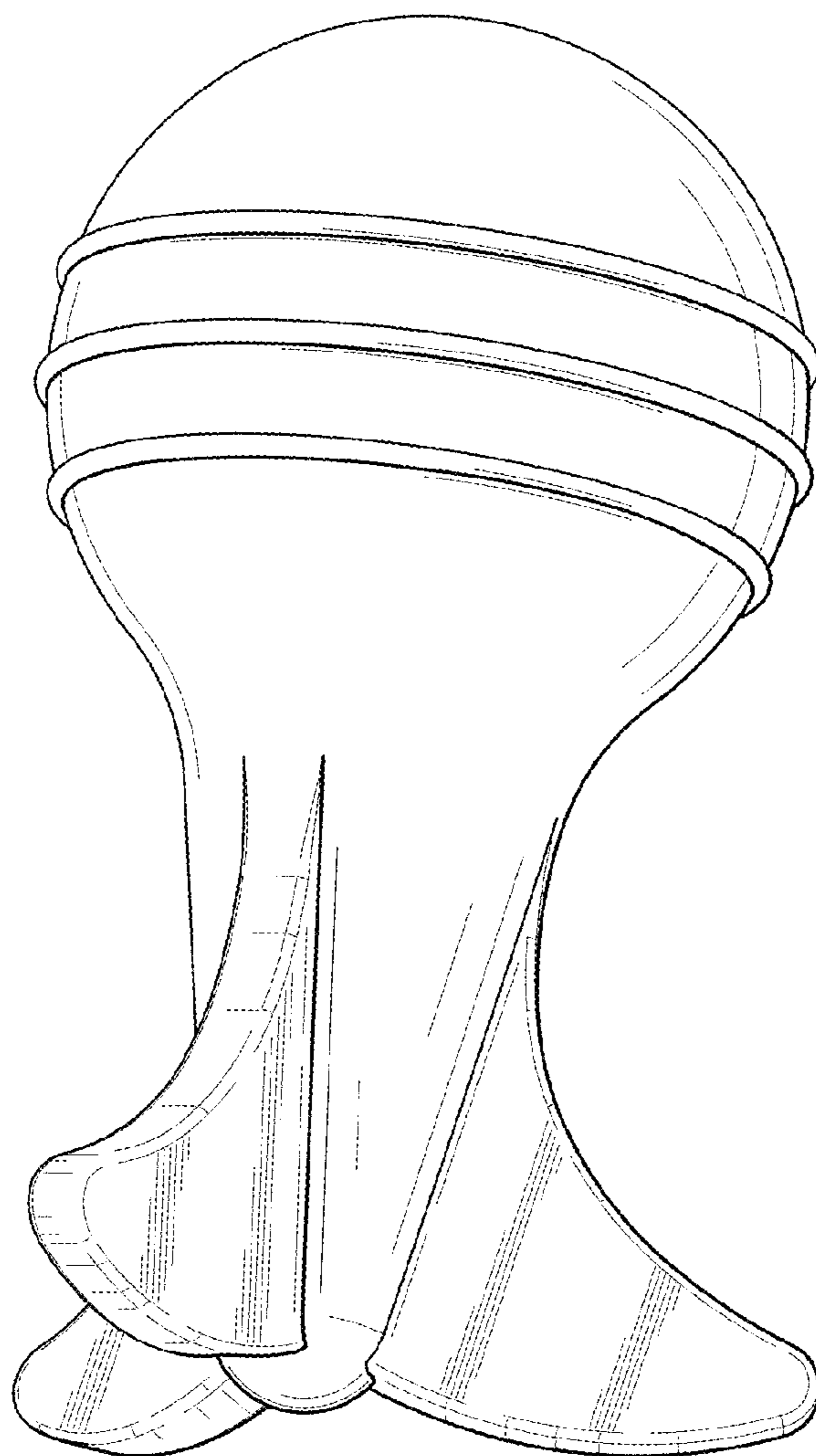


FIG. 1

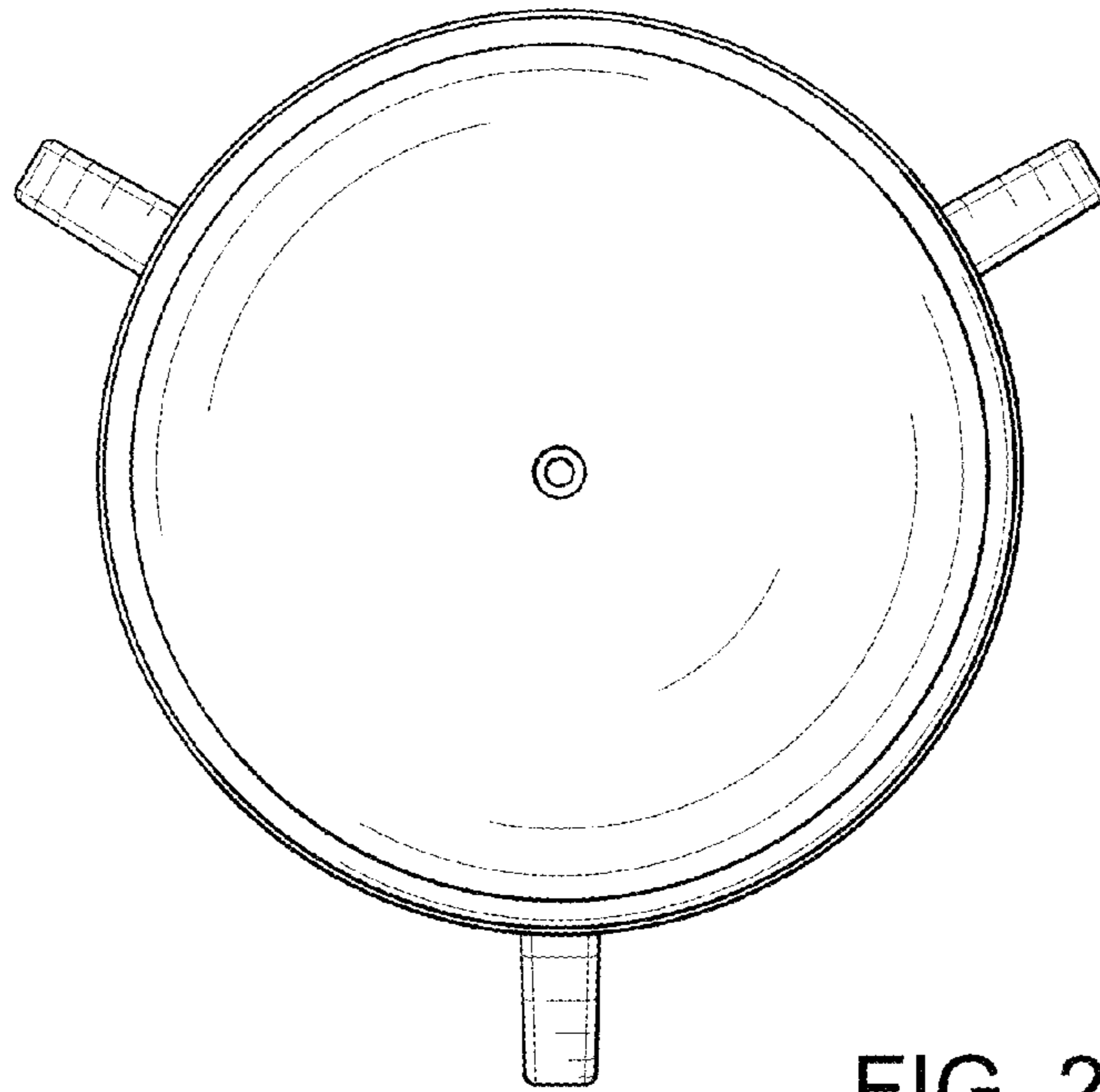


FIG. 2

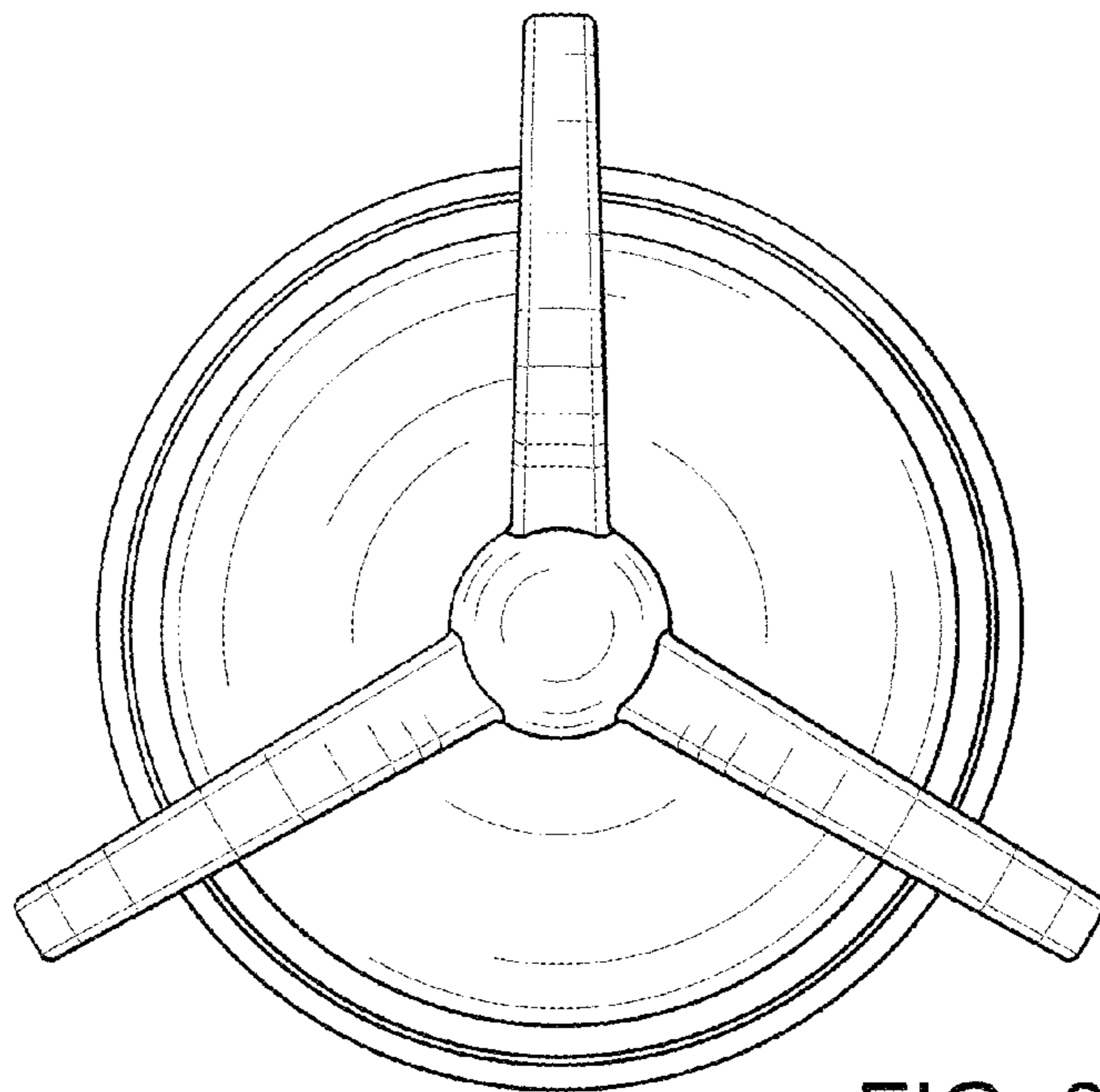


FIG. 3

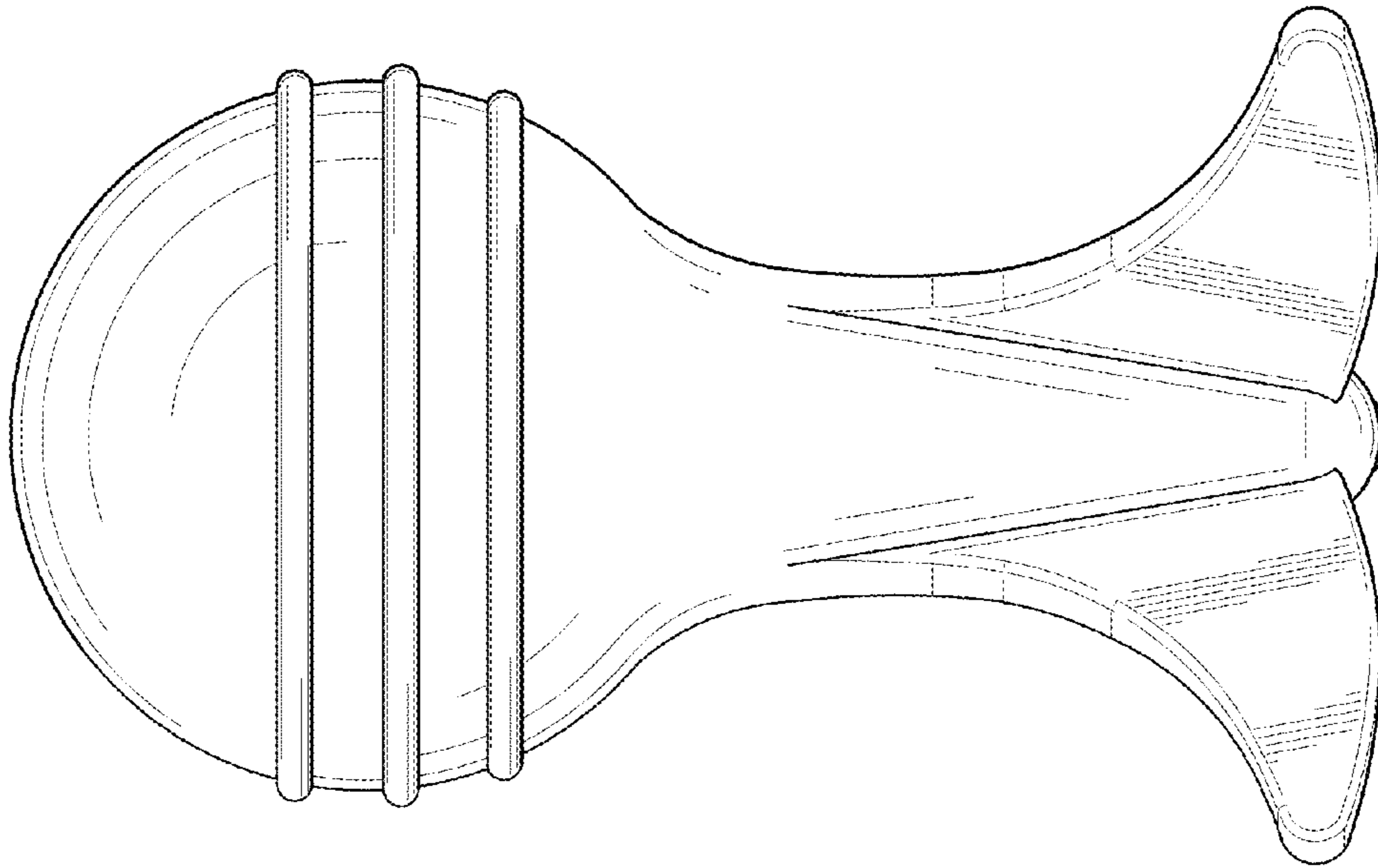


FIG. 5

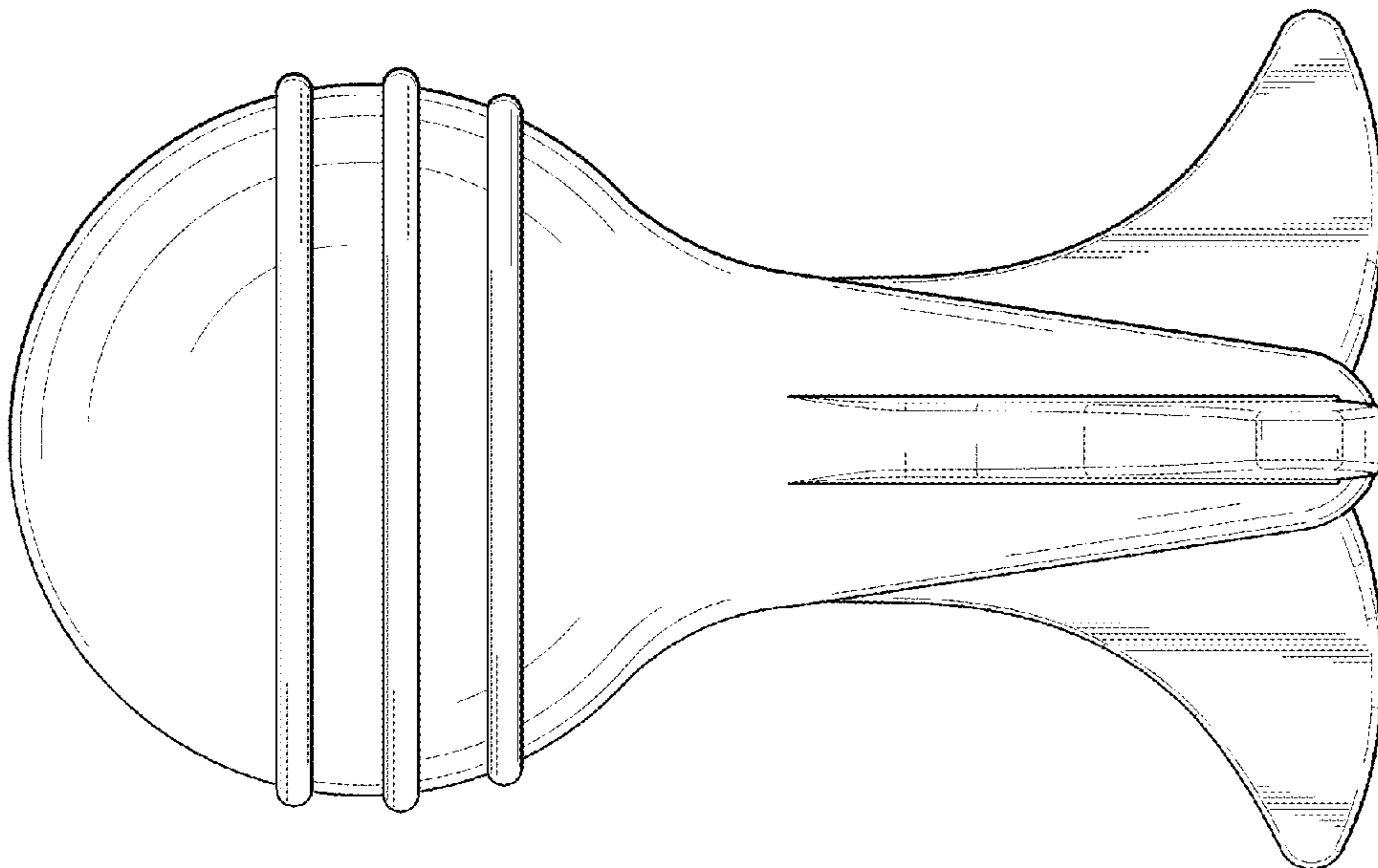


FIG. 4

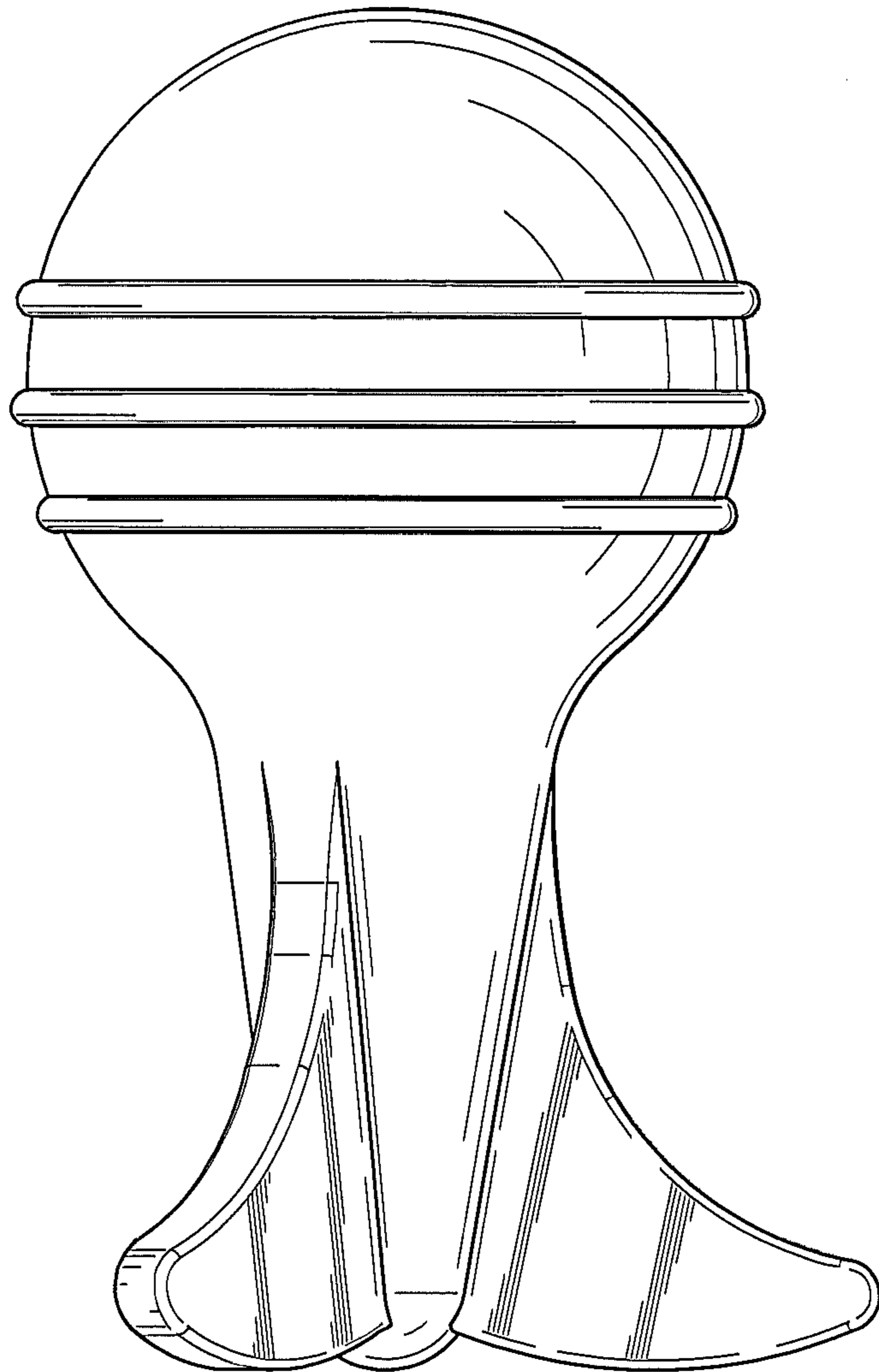


FIG. 6