



US00D685144S

(12) **United States Design Patent**
Etheredge

(10) **Patent No.:** **US D685,144 S**
(45) **Date of Patent:** **** Jun. 25, 2013**

- (54) **COMBINATION RETRACTABLE LEASH-COLLAR**
- (76) **Inventor:** **Lee Bert Etheredge**, Marietta, GA (US)
- (**) **Term:** **14 Years**
- (21) **Appl. No.:** **29/400,686**
- (22) **Filed:** **Aug. 31, 2011**
- (51) **LOC (9) Cl.** **30-04**
- (52) **U.S. Cl.**
USPC **D30/153**
- (58) **Field of Classification Search**
USPC D30/151-154; 119/792-798, 758,
119/760, 769, 770, 712, 784, 802, 856, 857,
119/863, 865, 858; 54/71; 30/39; 242/397,
242/615.3, 382, 384.7, 396.1, 385, 385.2,
242/385.4, 381.5, 381.6; D26/38; 254/134.3 FT;
D8/358, 359; 473/576
See application file for complete search history.

- D275,263 S * 8/1984 Cutler D8/358
- 4,558,663 A * 12/1985 Kaplanis 119/174
- 4,562,792 A * 1/1986 Pak et al. 119/797
- 4,964,370 A * 10/1990 Peterson 119/794
- 4,977,860 A * 12/1990 Harwell 119/794
- 5,161,486 A * 11/1992 Brown 119/795
- 5,197,413 A * 3/1993 Gyr 119/858
- D337,866 S * 7/1993 Wiens D30/153
- 5,732,898 A * 3/1998 Odessky et al. 242/377
- 5,816,198 A * 10/1998 Peterson 119/794
- 5,938,137 A * 8/1999 Poulson 242/379.2
- D428,218 S * 7/2000 Dehart D30/152
- 6,205,956 B1 * 3/2001 Dickie et al. 119/792
- D445,707 S * 7/2001 Zakhakyan D30/152
- D449,974 S * 11/2001 Stekelenburg D8/358
- D468,189 S * 1/2003 Kovacik et al. D8/358
- 6,581,547 B1 * 6/2003 Austin 119/794
- D484,650 S * 12/2003 Meath D30/153
- D491,444 S * 6/2004 Nicholls D8/358
- 6,845,736 B1 * 1/2005 Anderson 119/796

(Continued)

Primary Examiner — Susan Moon Lee
(74) *Attorney, Agent, or Firm* — Crose Law LLC; Bradley D. Crose

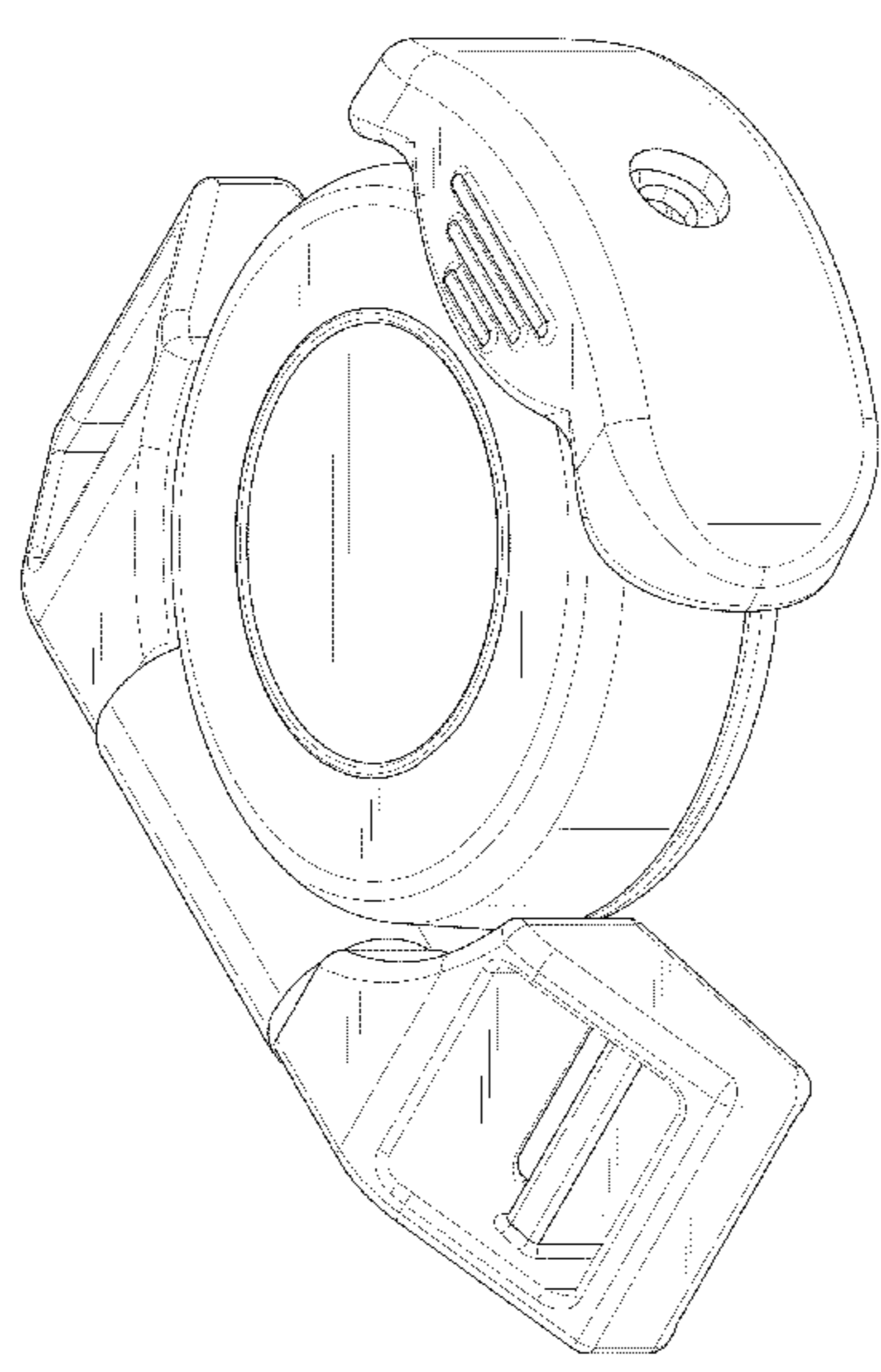
- (56) **References Cited**
U.S. PATENT DOCUMENTS
870,784 A 11/1907 Huff
D150,947 S * 9/1948 Grandon et al. D30/153
2,776,644 A * 1/1957 Fontaine 119/796
2,799,245 A * 7/1957 Ruggiero et al. 119/794
2,817,482 A * 12/1957 Ruggiero et al. 242/379
2,833,250 A * 5/1958 Beebe 119/794
2,889,807 A * 6/1959 Beebe 119/794
3,315,642 A * 4/1967 Rogers et al. 119/796
3,318,288 A * 5/1967 Mullritter 119/796
3,477,410 A * 11/1969 Lettieri 119/794
3,776,198 A * 12/1973 Gehrke 119/794
4,018,189 A * 4/1977 Umphries et al. 119/794
4,165,713 A * 8/1979 Brawner et al. 119/794
4,202,510 A * 5/1980 Stanish 242/384.7
4,328,767 A * 5/1982 Peterson 119/794
D265,972 S * 8/1982 Black D24/145
4,391,226 A * 7/1983 Guthrie 119/797
4,427,163 A * 1/1984 Kondziola 242/373

(57) **CLAIM**
The ornamental design for a combination retractable leash-collar, as shown and described.

DESCRIPTION

FIG. 1 is a top perspective view of a combination retractable leash-collar showing my new design; FIG. 2 is a bottom view thereof; FIG. 3 is a top view thereof; FIG. 4 is a rear view thereof; FIG. 5 is a front view thereof; FIG. 6 is a right side view thereof; and, FIG. 7 is a left side view thereof. The broken lines and unshaded portions contained within broken lines are not claimed.

1 Claim, 7 Drawing Sheets



US D685,144 S

Page 2

U.S. PATENT DOCUMENTS

6,912,975	B1 *	7/2005	Balan	119/794	8,347,824	B2 *	1/2013	Marshall	119/794
D517,606	S *	3/2006	Daffertshofer et al.	D19/69	D676,618	S *	2/2013	Kalbach	D30/153
D523,188	S *	6/2006	Lord	D30/152	2003/0106501	A1 *	6/2003	Austin	119/794
D530,046	S *	10/2006	Lord	D30/152	2004/0154556	A1	8/2004	Masterson et al.	
7,150,247	B2	12/2006	Eulette et al.		2005/0211189	A1 *	9/2005	Price	119/794
7,174,857	B2 *	2/2007	Lord	119/794	2006/0137625	A1 *	6/2006	Conte	119/858
D549,287	S *	8/2007	Pitzen et al.	D19/69	2006/0236955	A1 *	10/2006	Lord	119/794
D555,298	S *	11/2007	Garon	D30/152	2006/0288960	A1 *	12/2006	Harrison	119/794
7,461,615	B2 *	12/2008	Albright	119/794	2007/0039560	A1 *	2/2007	Smith	119/794
7,478,927	B2 *	1/2009	Matthew et al.	362/258	2007/0151805	A1 *	7/2007	Betcher et al.	182/239
D587,861	S *	3/2009	Miller	D30/153	2008/0000432	A1 *	1/2008	Alhegelan	119/796
7,610,880	B2 *	11/2009	Lord	119/794	2008/0017134	A1 *	1/2008	Robley et al.	119/796
D613,002	S *	3/2010	Lopusnak et al.	D30/153	2008/0072846	A1 *	3/2008	Albright	119/792
D616,941	S *	6/2010	Bradfield	D19/69	2009/0159014	A1 *	6/2009	Olenick	119/794
8,001,933	B2 *	8/2011	Robley et al.	119/792	2009/0255485	A1 *	10/2009	Dickie et al.	119/794
D647,565	S *	10/2011	Pourian et al.	D19/69	2009/0255486	A1	10/2009	Thompson et al.	
D657,420	S *	4/2012	Clover et al.	D19/69	2010/0037832	A1 *	2/2010	Smith	119/796
D662,267	S *	6/2012	Morin	D30/152	2011/0023794	A1 *	2/2011	Smith	119/794
8,230,822	B2 *	7/2012	Smith	119/794	2011/0036304	A1 *	2/2011	Smith	119/796
D665,952	S *	8/2012	Guo	D30/152	2011/0041778	A1 *	2/2011	Le Croix	119/796
D666,367	S *	8/2012	Miller et al.	D30/152	2012/0006284	A1 *	1/2012	Messner	119/796
D673,334	S *	12/2012	Guo	D30/152					

* cited by examiner

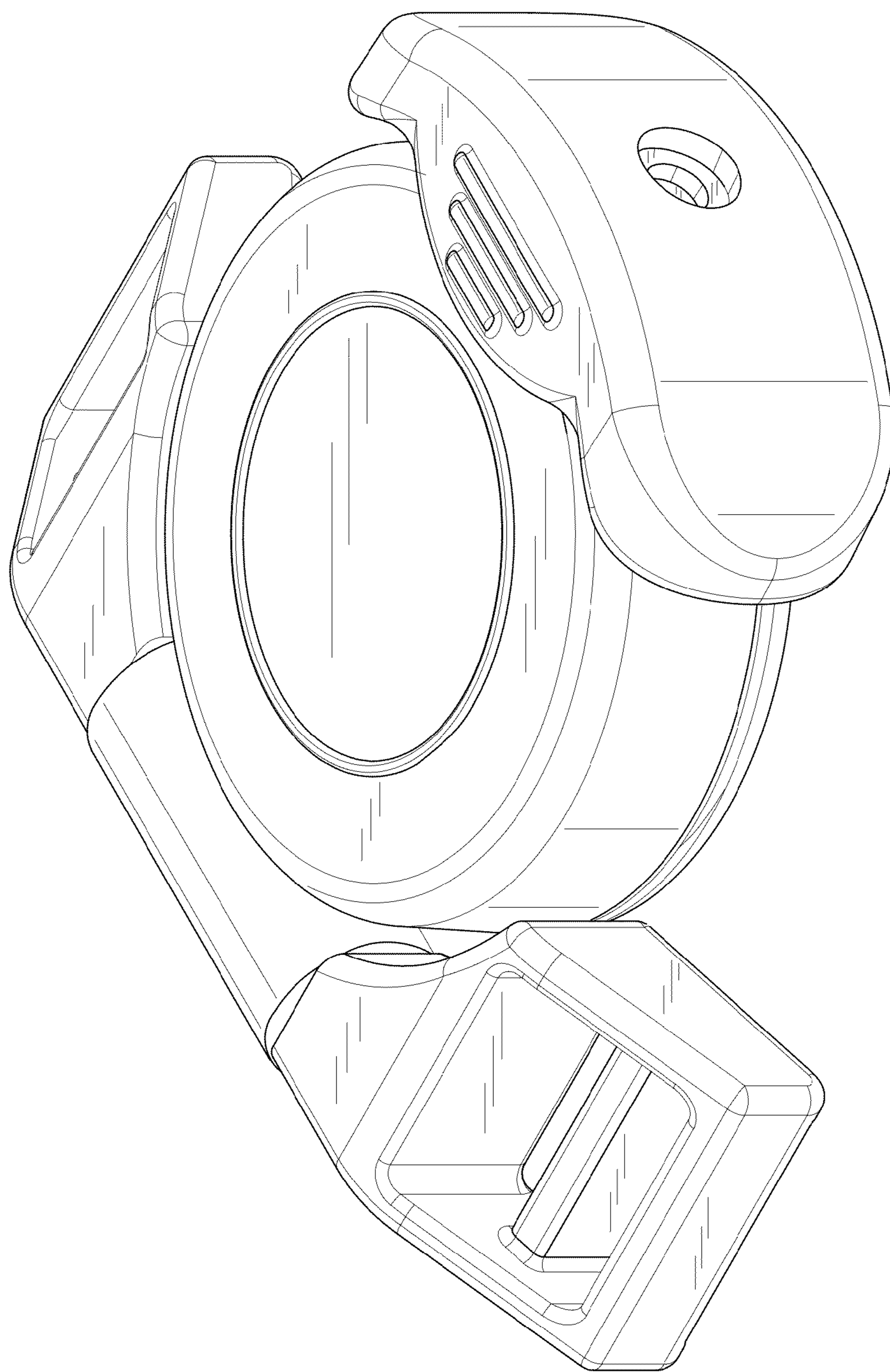


FIG. 1

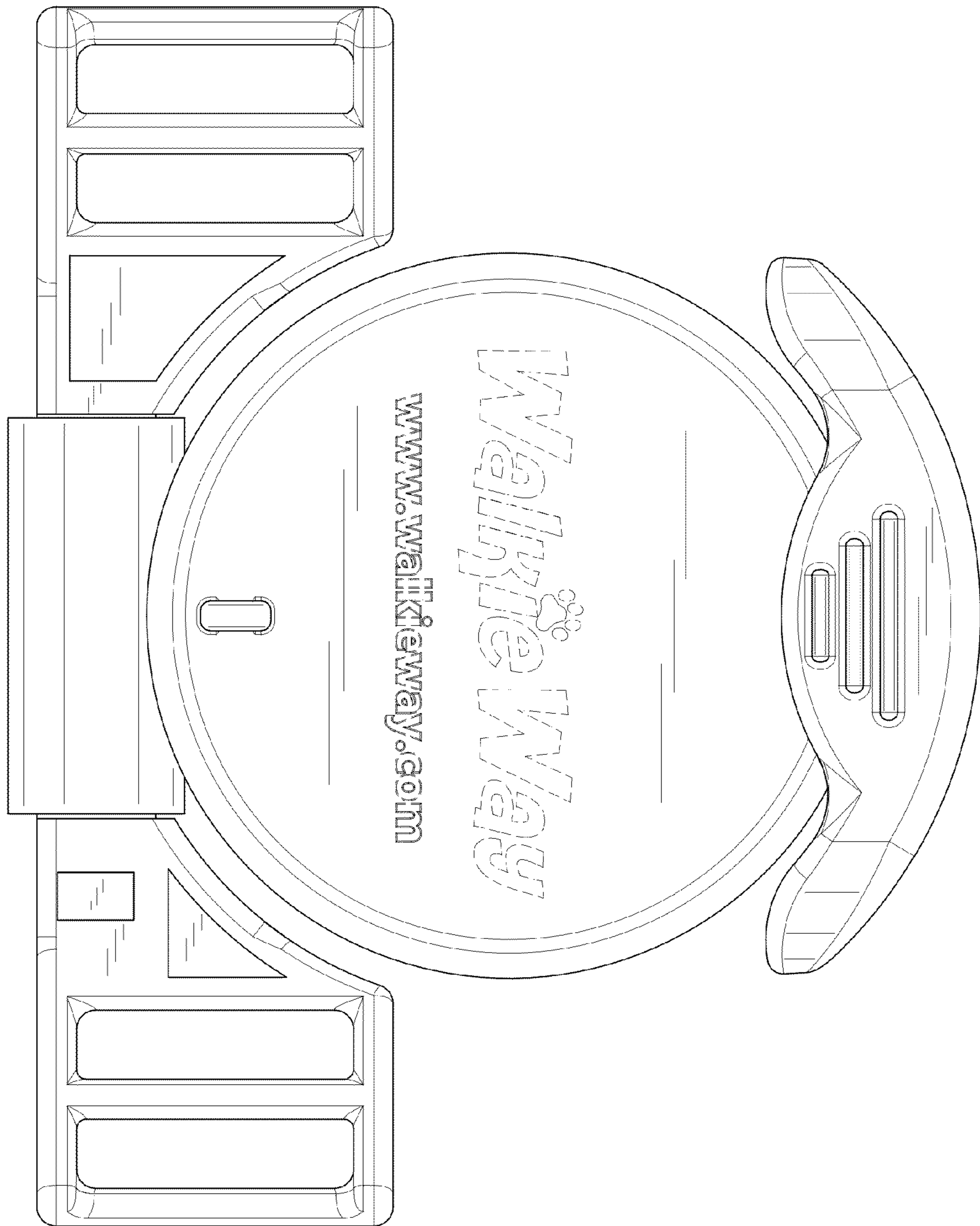


FIG. 2

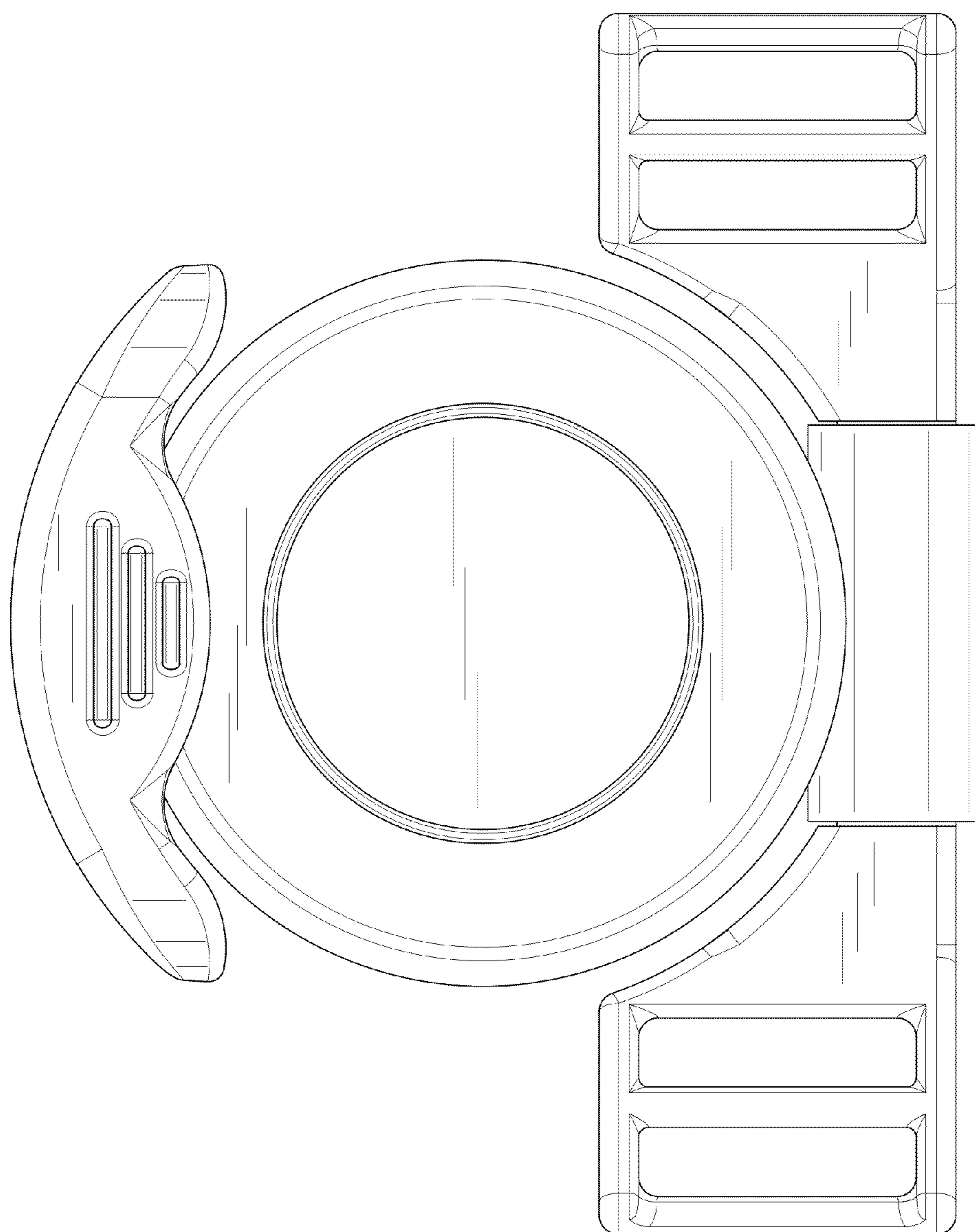


FIG. 3

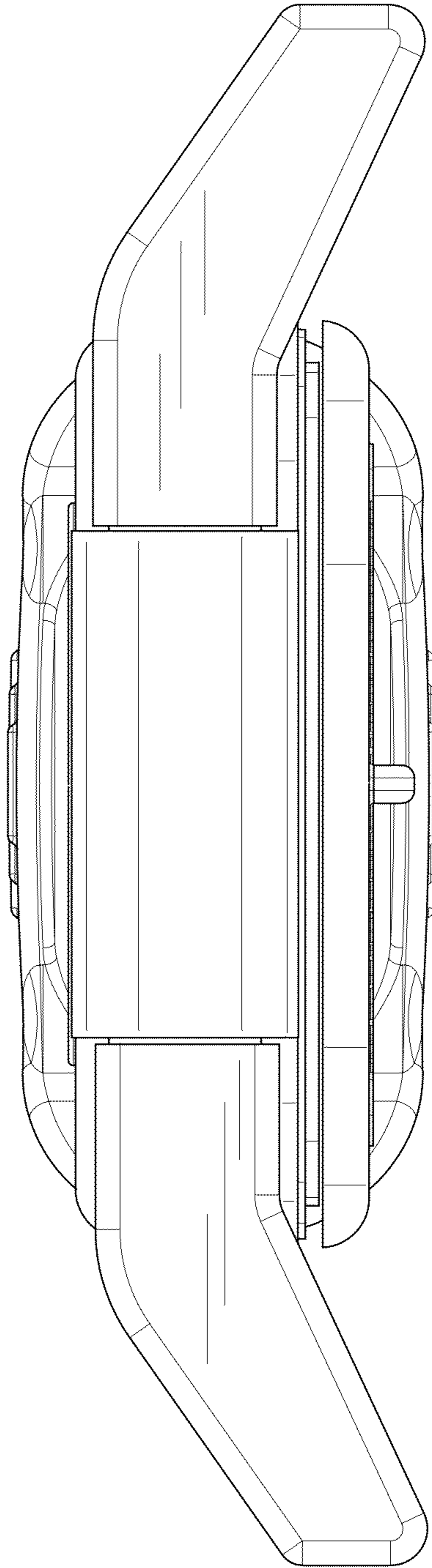


FIG. 4

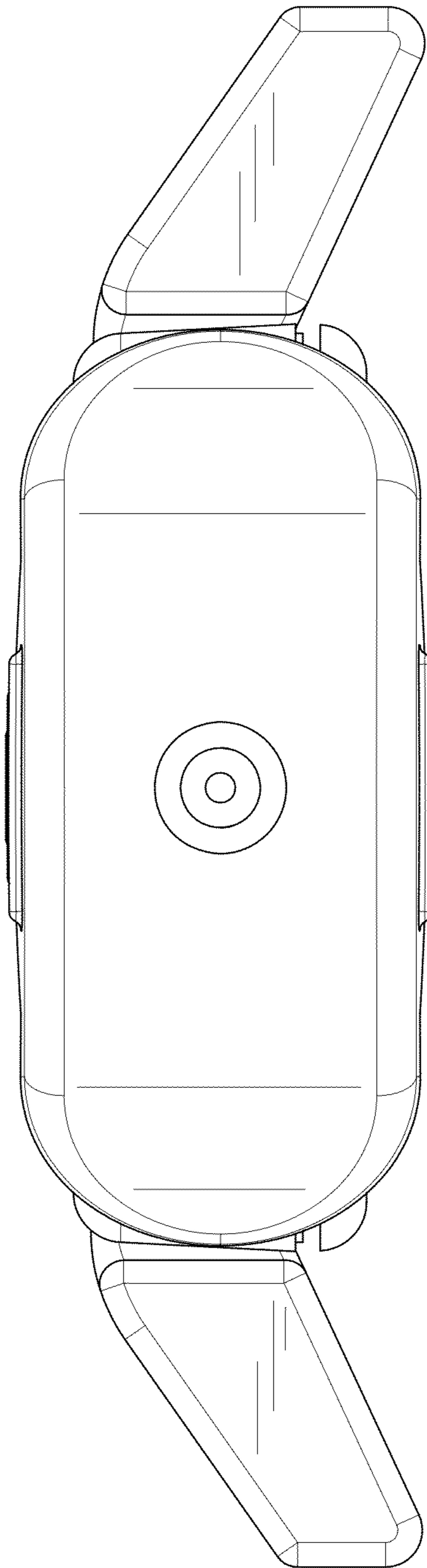


FIG. 5

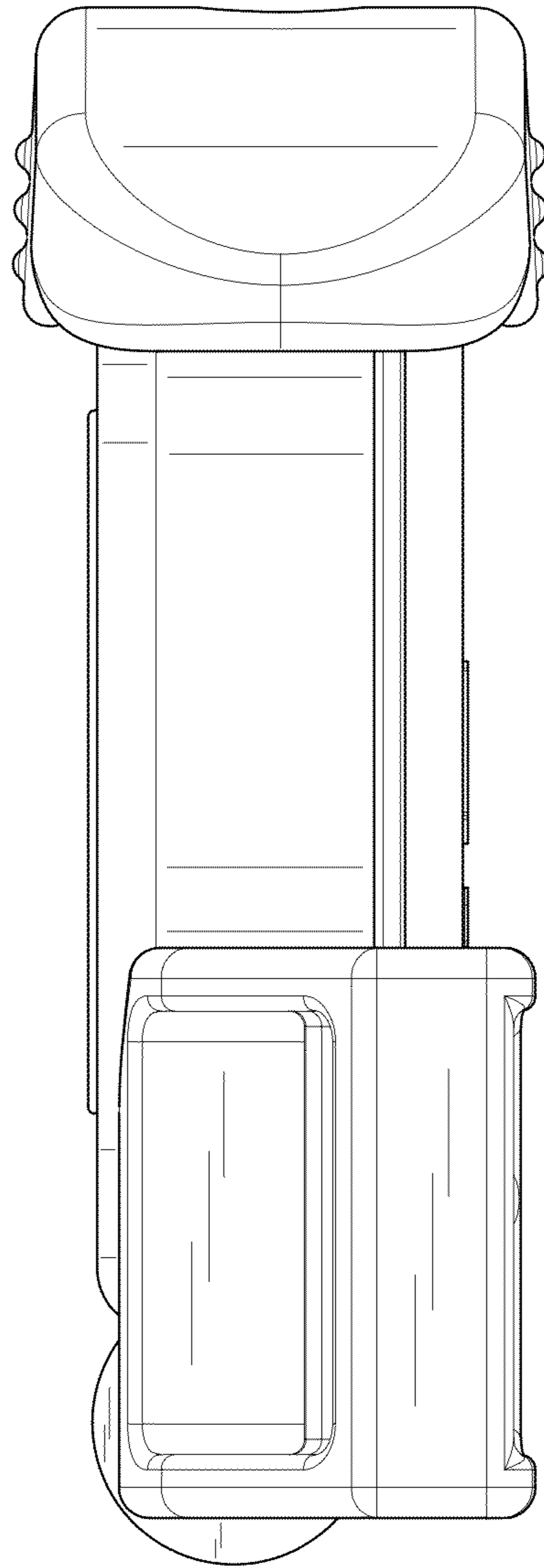


FIG. 6

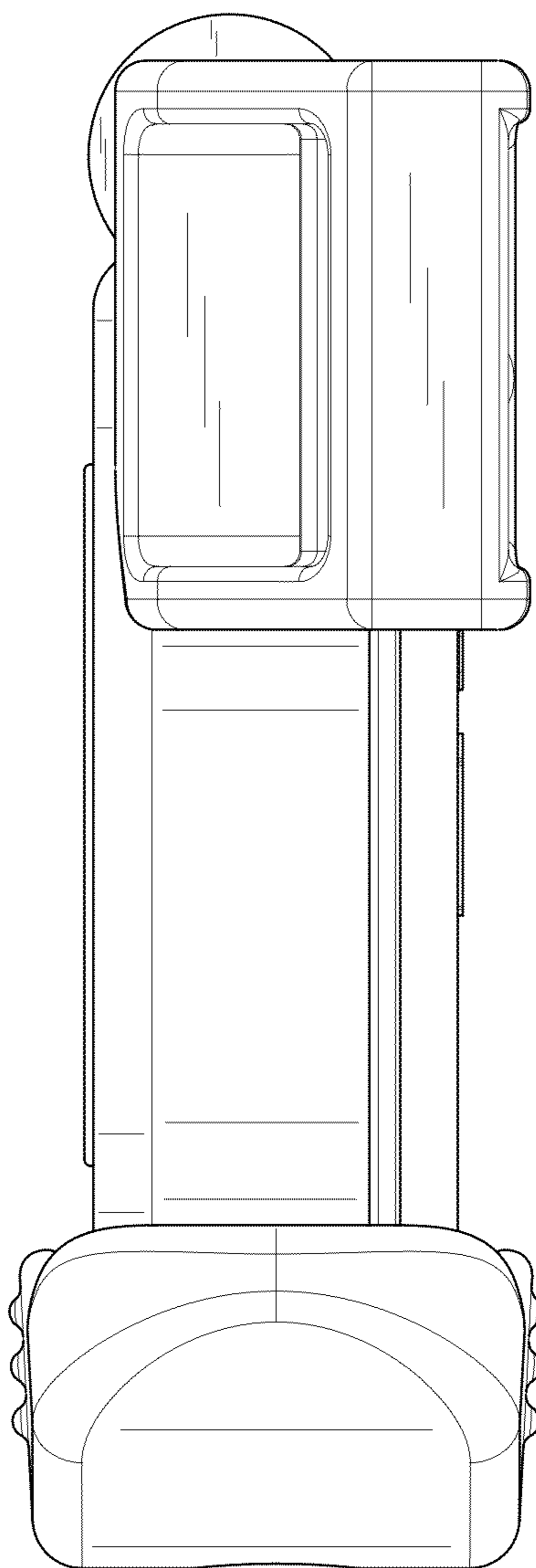


FIG. 7