



US00D685139S

(12) **United States Design Patent**
Park

(10) **Patent No.:** **US D685,139 S**
(45) **Date of Patent:** **** Jun. 25, 2013**

(54) **DOG HOUSE**

(75) Inventor: **Ki Sung Park**, Richmond Hill (CA)

(73) Assignee: **Ki Sung Park**, Richmond Hill, Ontario (CA)

(**) Term: **14 Years**

(21) Appl. No.: **29/405,515**

(22) Filed: **Nov. 3, 2011**

(51) **LOC (9) Cl.** **30-02**

(52) **U.S. Cl.**
USPC **D30/108**; D30/118; D30/161

(58) **Field of Classification Search**
USPC D30/108-112, 118, 161; 119/453,
119/495-501, 161-170

See application file for complete search history.

(56) **References Cited**

U.S. PATENT DOCUMENTS

3,618,568	A	*	11/1971	Breeden	119/161
4,177,761	A	*	12/1979	Bellocchi, Jr.	D30/108
D255,723	S	*	7/1980	Anderson	D30/108
D279,944	S	*	8/1985	McLaren et al.	D30/108
4,986,217	A	*	1/1991	Robinson et al.	119/168
D320,479	S	*	10/1991	Cheval et al.	D30/108

5,148,768	A	*	9/1992	Hinton	119/500
D468,872	S	*	1/2003	Woehler	D30/108
D483,158	S	*	12/2003	Ward	D30/161
D519,685	S	*	4/2006	Scarpaci et al.	D30/108
D555,294	S	*	11/2007	Northrop	D30/108
D605,367	S	*	12/2009	Northrop	D30/115
D629,973	S	*	12/2010	Morton	D30/108
D667,177	S	*	9/2012	Roberts	D30/160

* cited by examiner

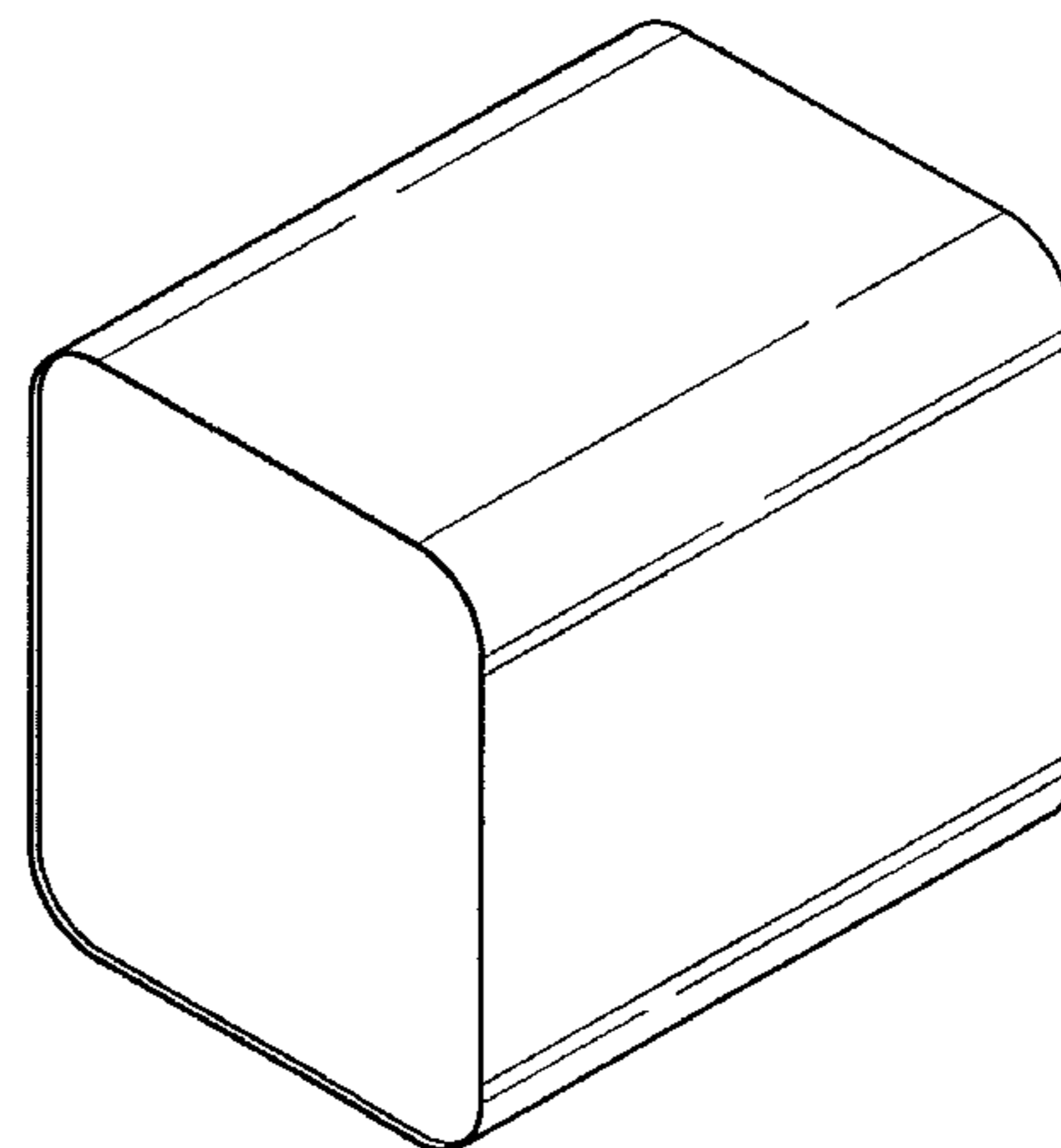
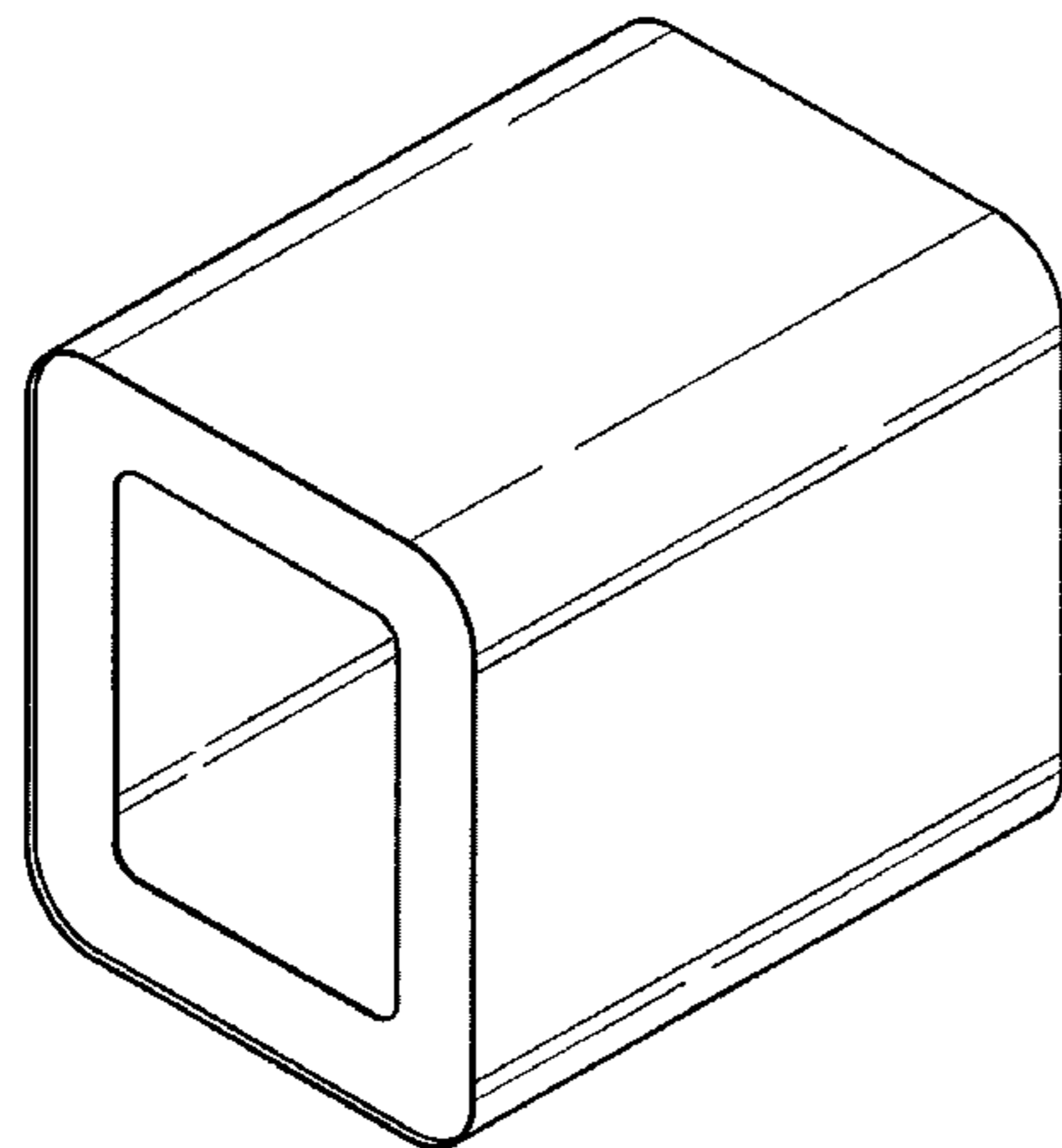
Primary Examiner — Cathy A MacCormac

(57) **CLAIM**
The ornamental design for a dog house, as shown.

DESCRIPTION

FIG. 1 is a front perspective view of a dog house showing my new design;
FIG. 2 is a rear perspective view thereof;
FIG. 3 is a front view thereof;
FIG. 4 is a rear view thereof;
FIG. 5 is a right side view thereof, the left side view being identical; and,
FIG. 6 is a top view thereof, the bottom view being identical.

1 Claim, 3 Drawing Sheets



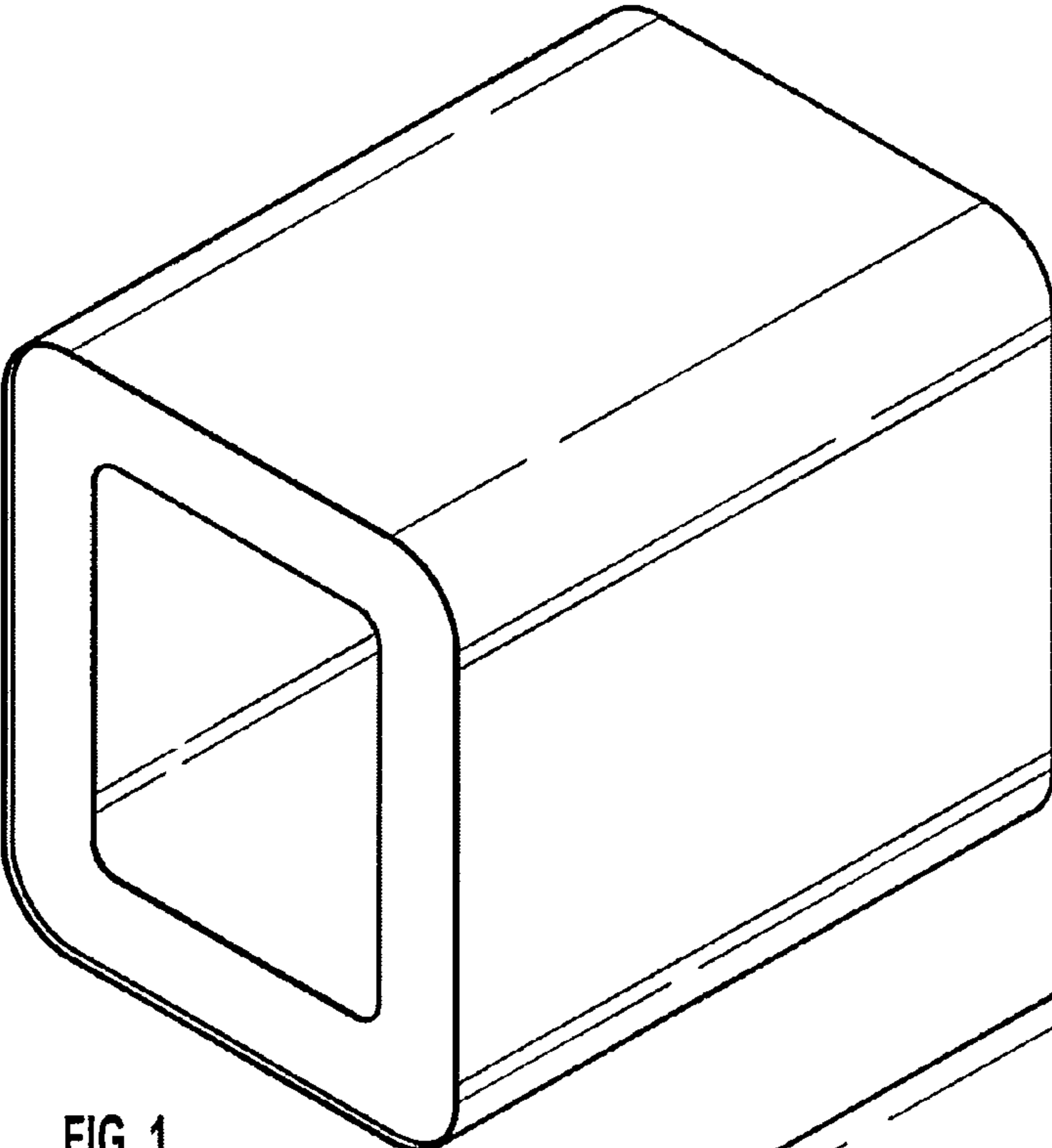


FIG. 1

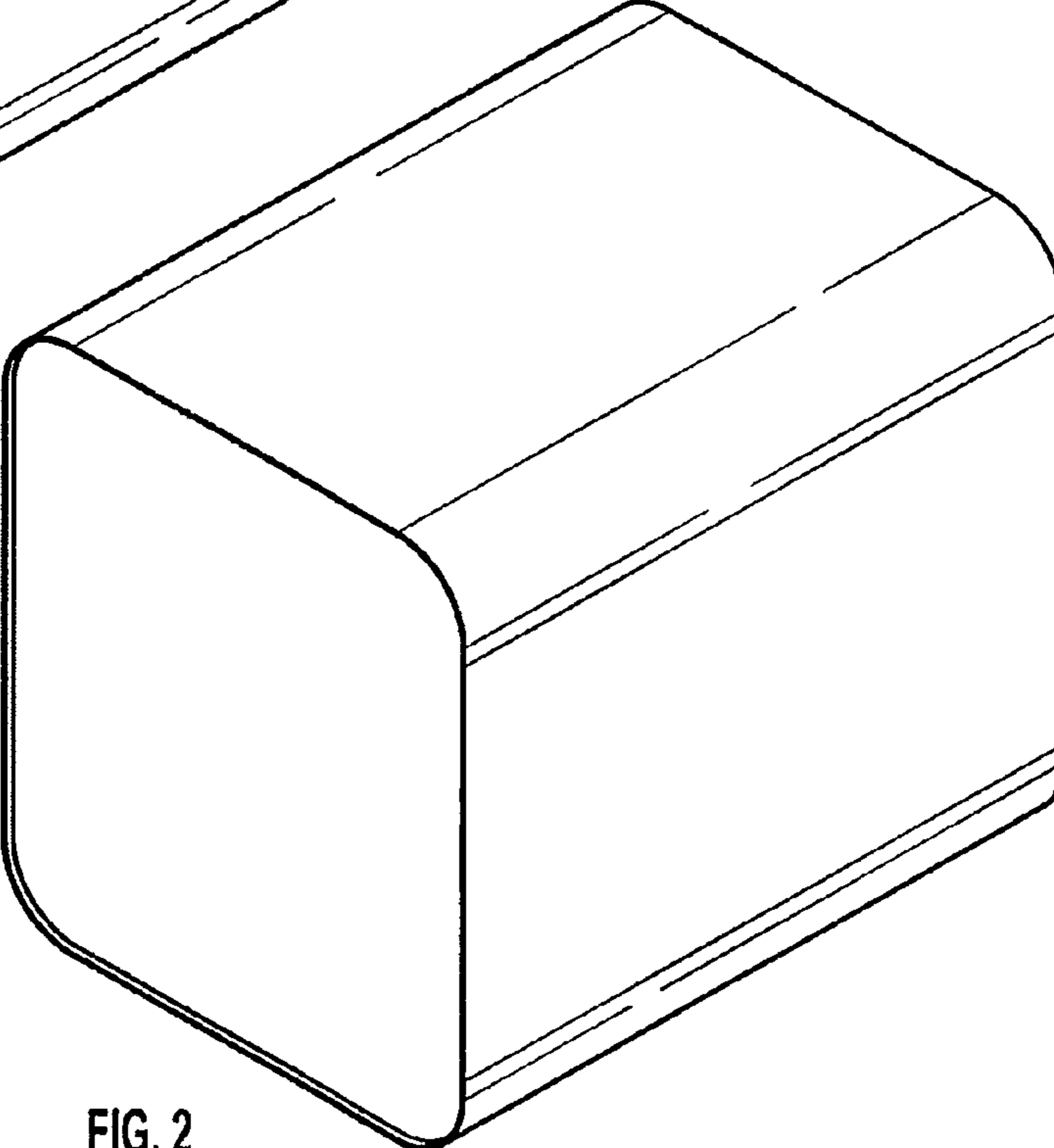


FIG. 2

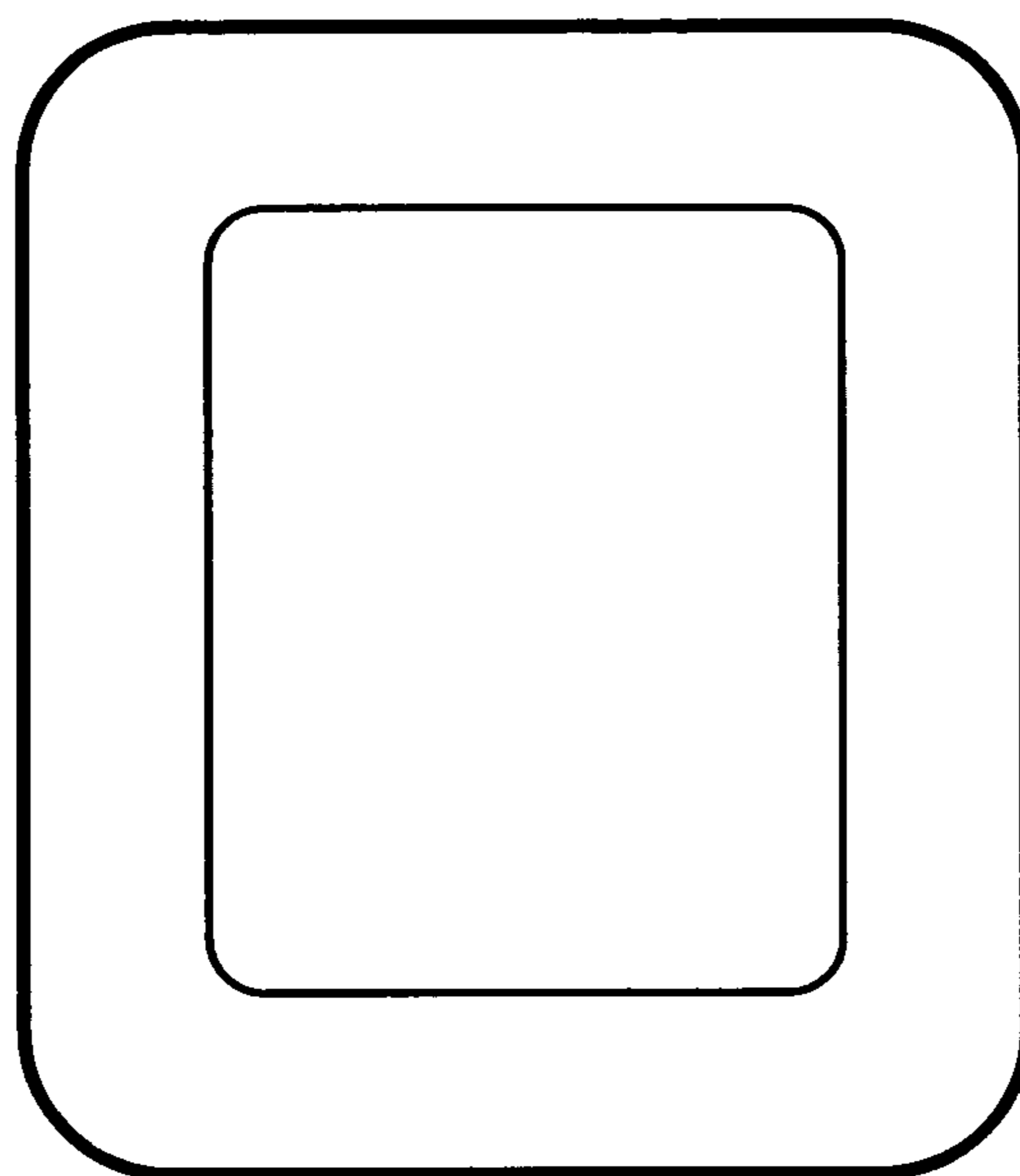


FIG. 3

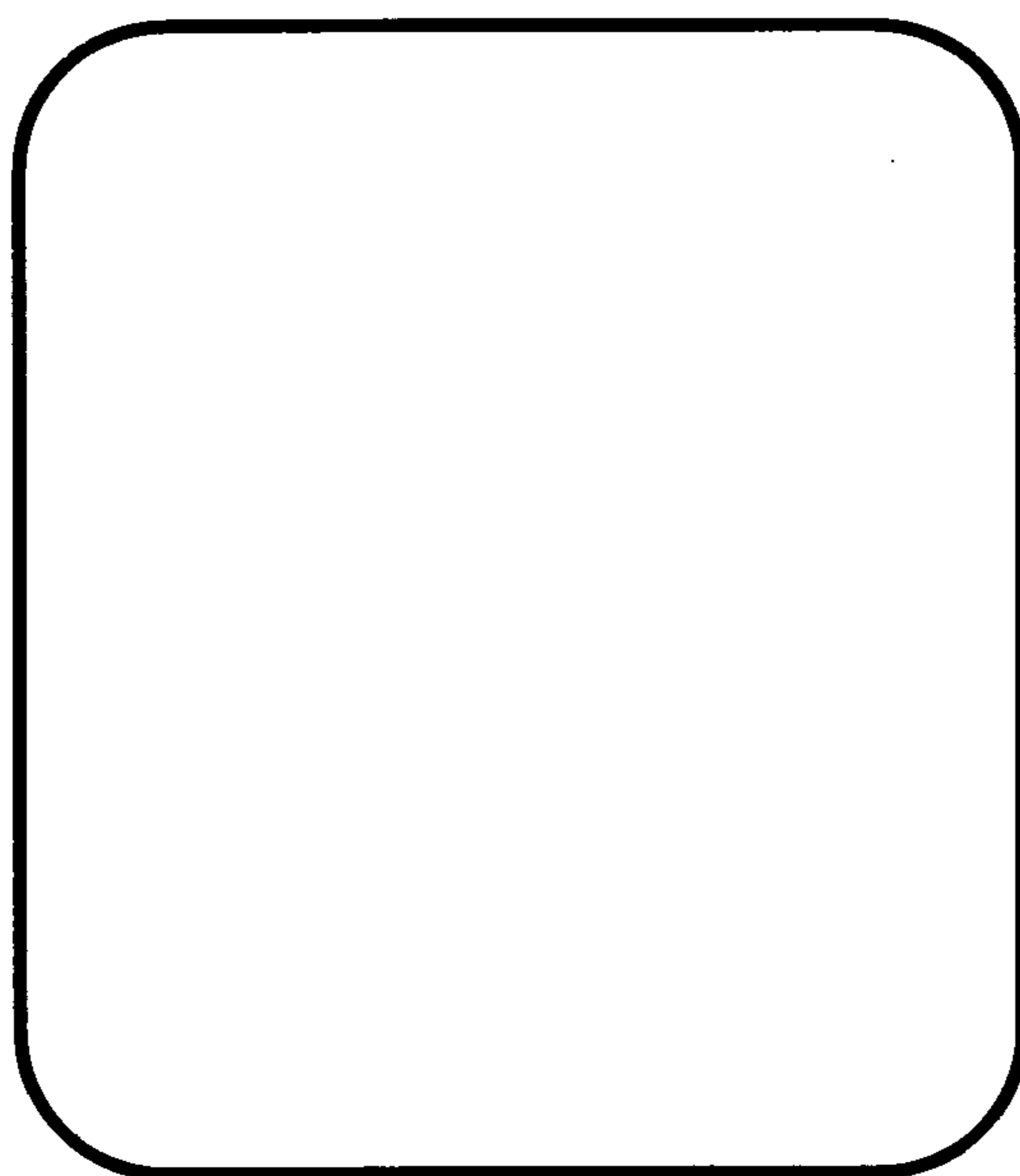


FIG. 4

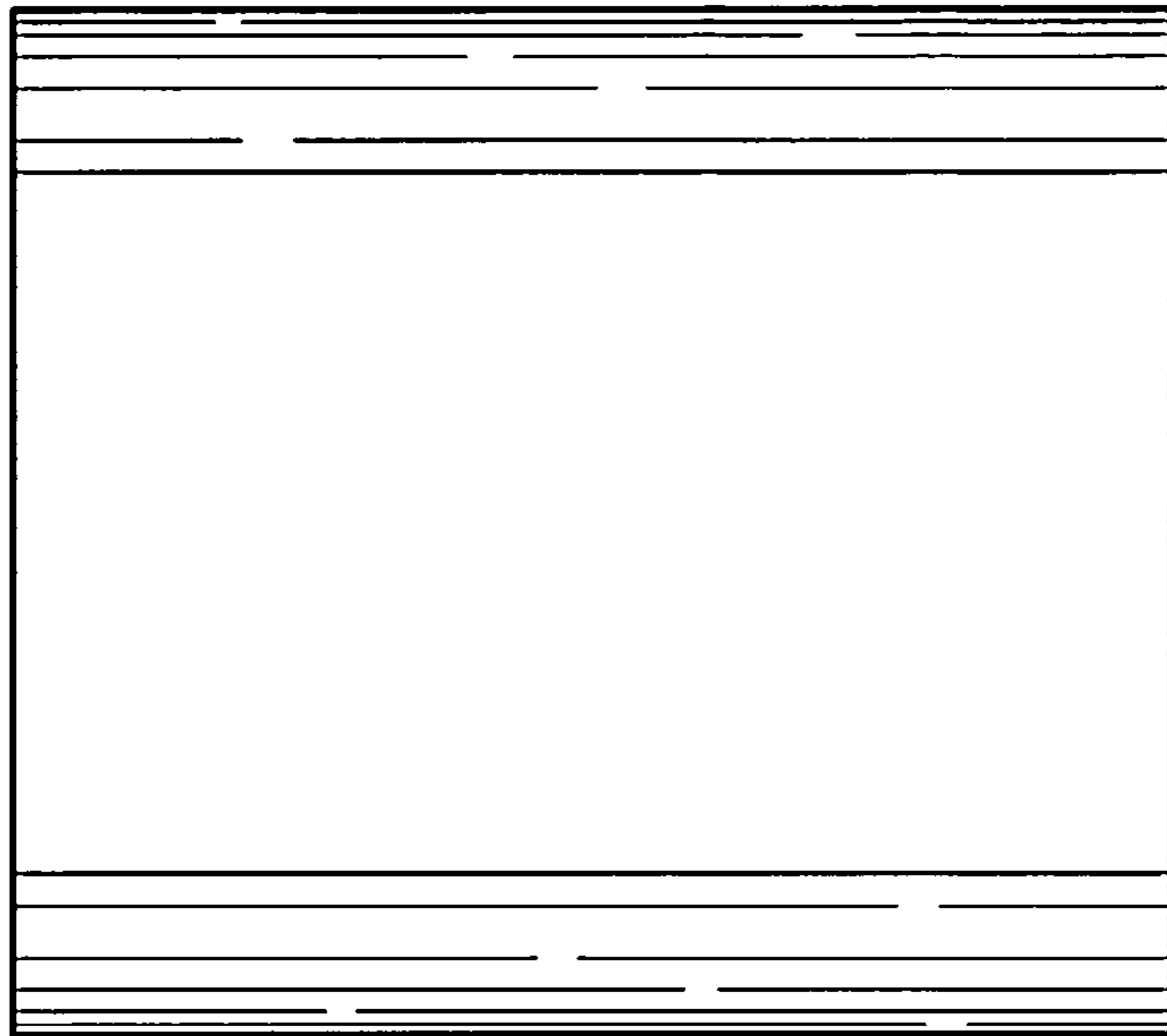


FIG. 5

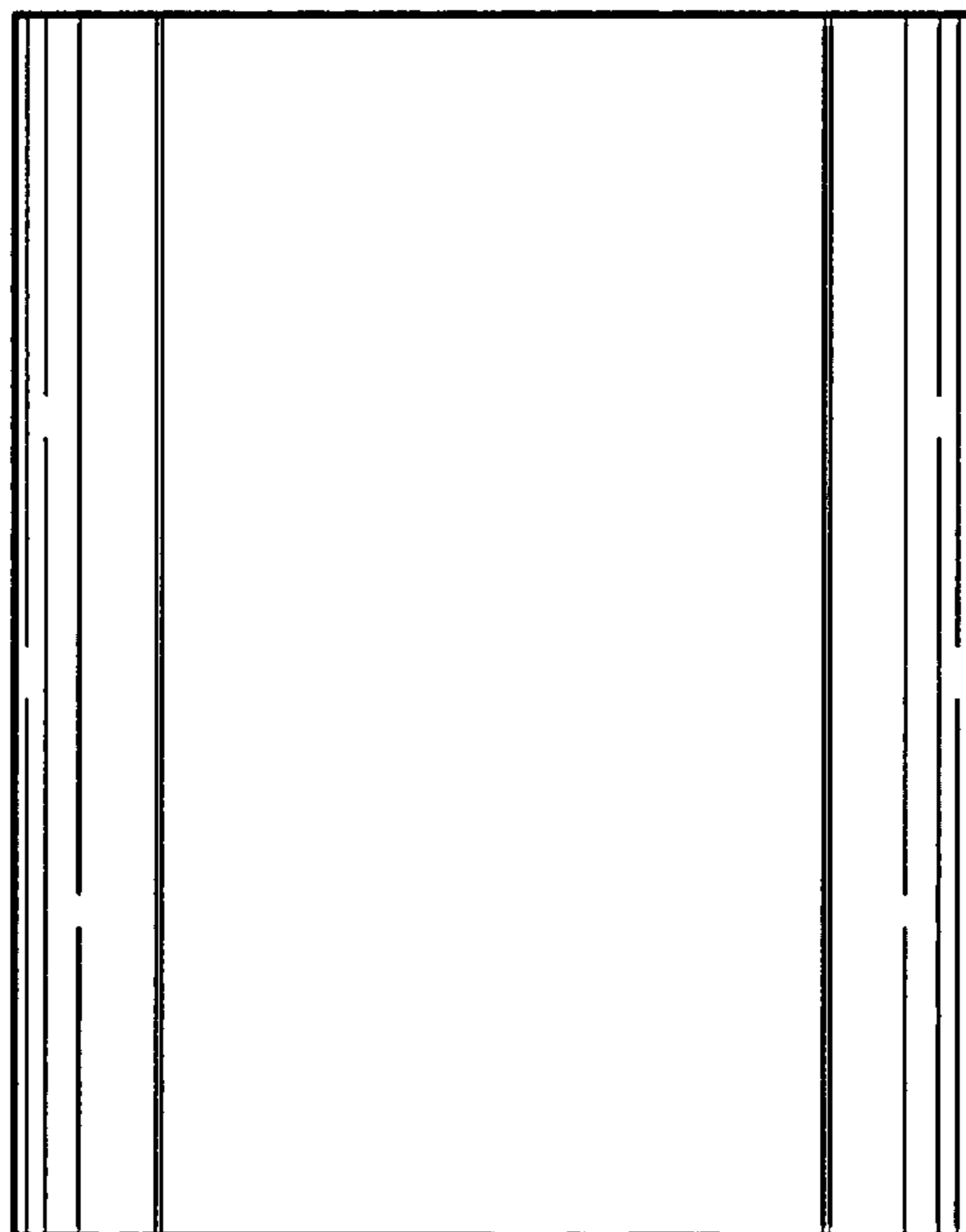


FIG. 6