



US00D685132S

(12) **United States Design Patent**
Lee

(10) **Patent No.:** **US D685,132 S**
(45) **Date of Patent:** **** *Jun. 25, 2013**

(54) **HAIR DRYER STAND**

(76) Inventor: **Yun Ying Lee**, Taipei (TW)

(*) Notice: This patent is subject to a terminal disclaimer.

(**) Term: **14 Years**

(21) Appl. No.: **29/342,346**

(22) Filed: **Aug. 24, 2009**

(51) **LOC (9) Cl.** **28-03**

(52) **U.S. Cl.**
USPC **D28/54.1**

(58) **Field of Classification Search**
USPC D28/12-19, 73; 34/96-101; 392/380-385;
219/222; D8/373; D6/513, 569; D7/637,
D7/619.1
See application file for complete search history.

(56) **References Cited**

U.S. PATENT DOCUMENTS

- 4,696,447 A * 9/1987 Strecker 248/206.3
- 4,712,313 A * 12/1987 Gettleman 34/97
- 4,746,090 A * 5/1988 Hamilton 248/314
- D346,243 S * 4/1994 Weber D28/38
- D374,393 S * 10/1996 Beasley D8/373

- 6,016,673 A * 1/2000 McDaid 70/18
- 6,520,467 B2 * 2/2003 Thomas et al. 248/309.3
- 6,601,813 B1 * 8/2003 Kager et al. 248/314
- 7,077,370 B2 * 7/2006 Lin et al. 248/176.2
- D527,616 S * 9/2006 Hajianpour D8/373
- 7,240,882 B2 * 7/2007 Degentesh et al. 248/231.91

* cited by examiner

Primary Examiner — Zenia Bennett

(74) *Attorney, Agent, or Firm* — Alexander Chen, Esq.

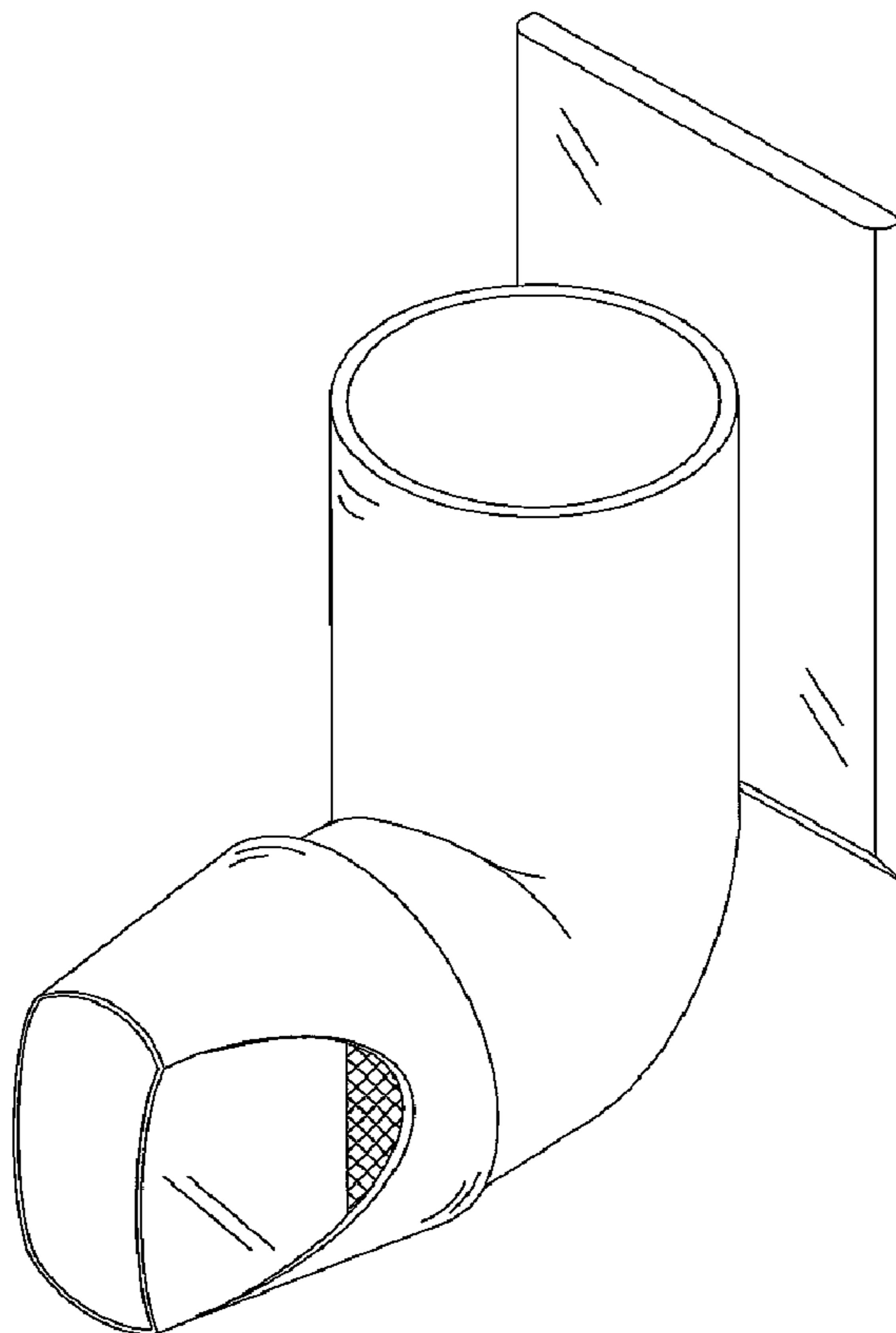
(57) **CLAIM**

I claim the ornamental design of hair dryer stand, as shown and described.

DESCRIPTION

FIG. 1 is the frontal view of the hair dryer stand thereof;
FIG. 2 is the rear view of the hair dryer stand thereof;
FIG. 3 is the left side view of the hair dryer stand thereof;
FIG. 4 is the right side view of the hair dryer stand thereof;
FIG. 5 is the top plan view of the hair dryer stand thereof;
FIG. 6 is the bottom plan view of the hair dryer stand thereof;
and,
FIG. 7 is the perspective view of the hair dryer stand thereof.
The broken lines are for environmental purpose only and form no part of the claimed design.

1 Claim, 4 Drawing Sheets



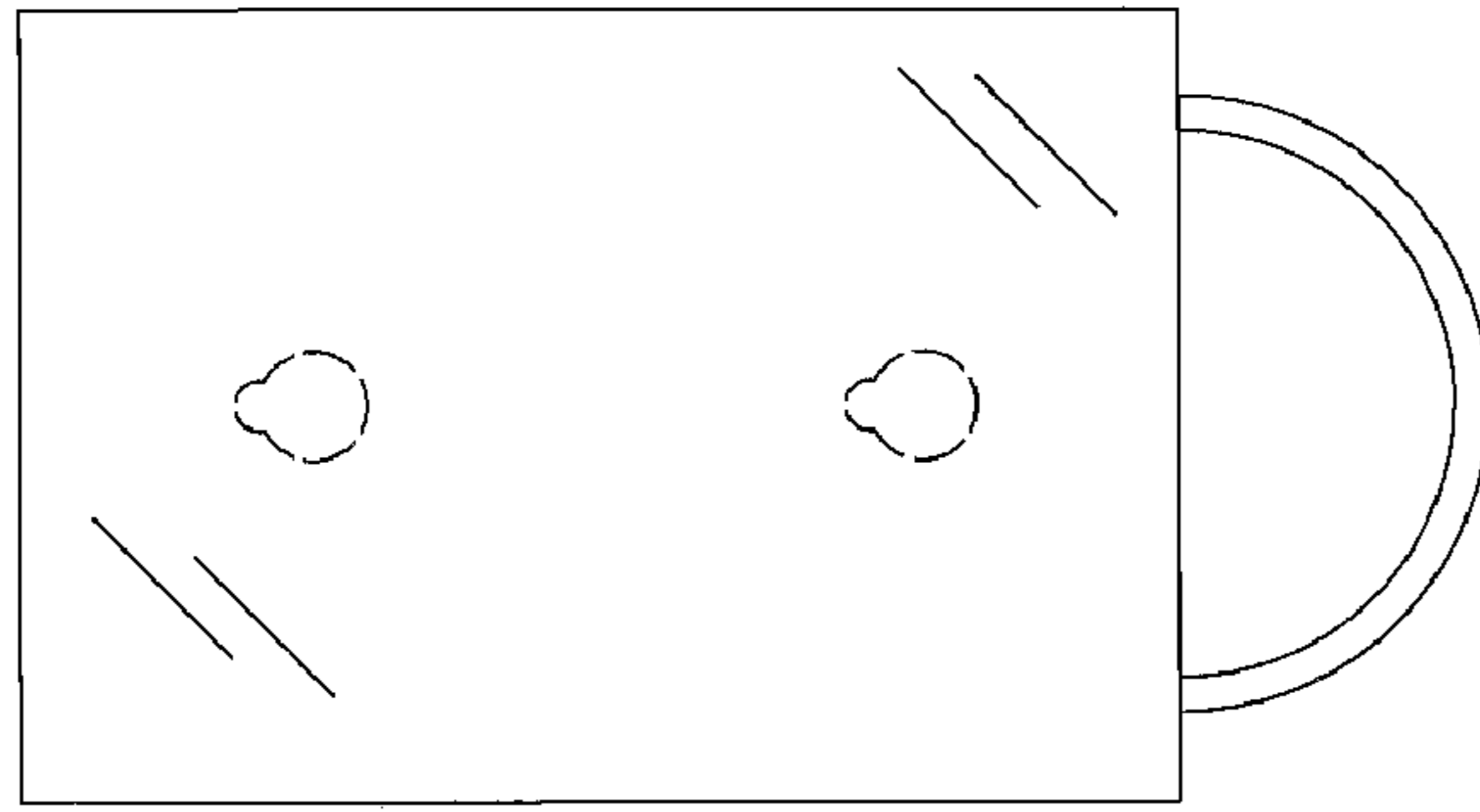


Fig. 2

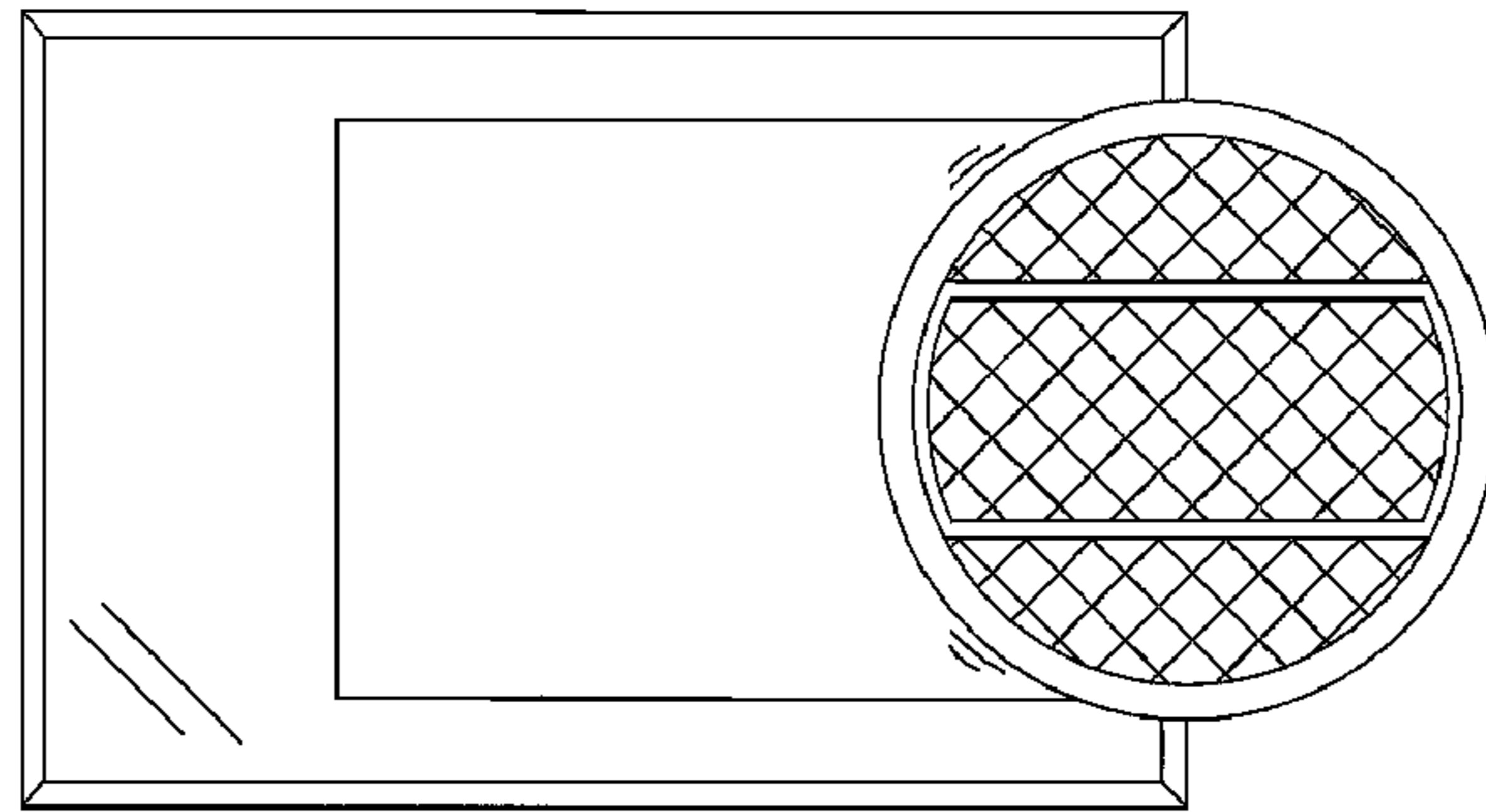


Fig. 1

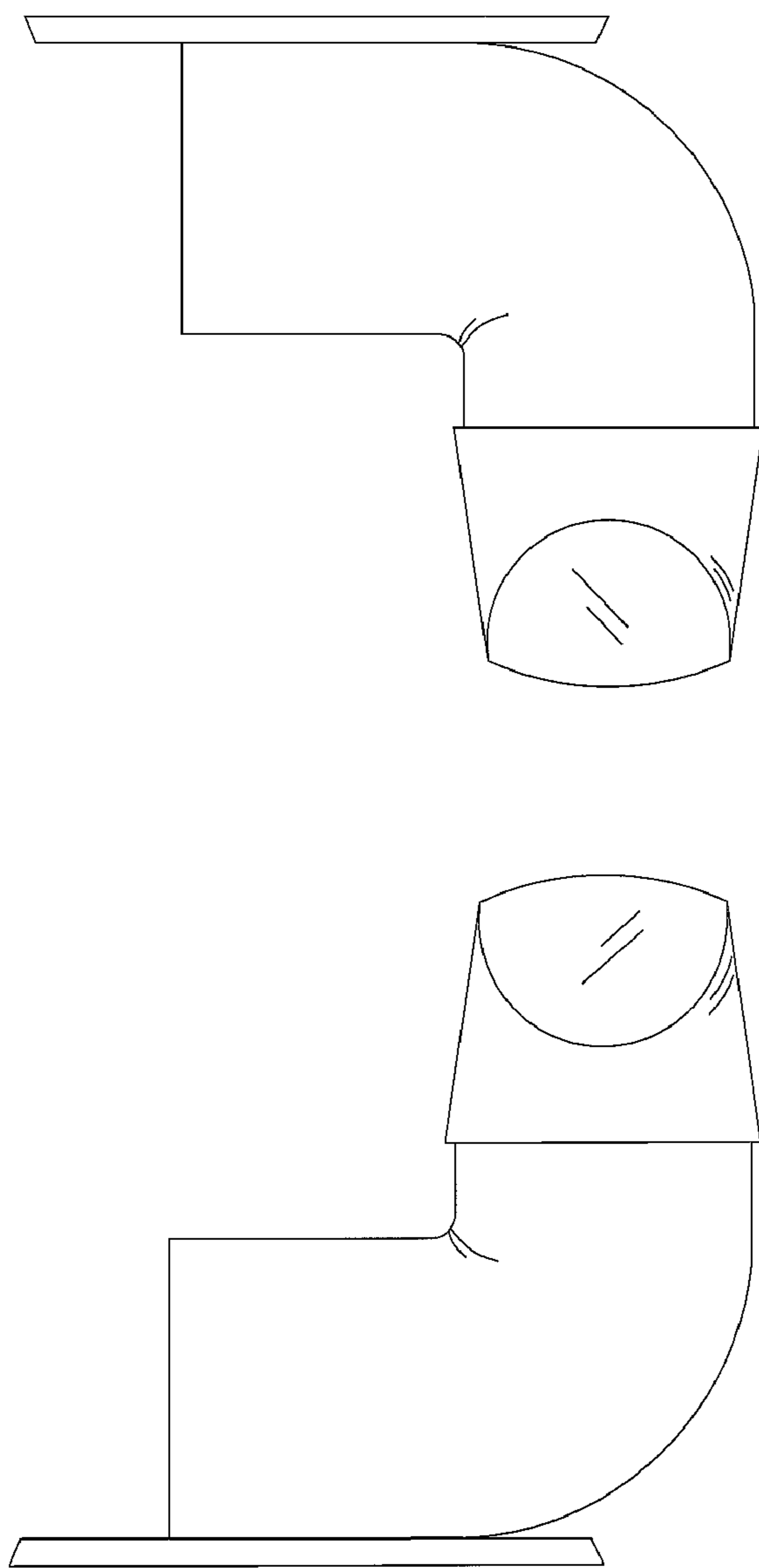


FIG. 3

FIG. 4

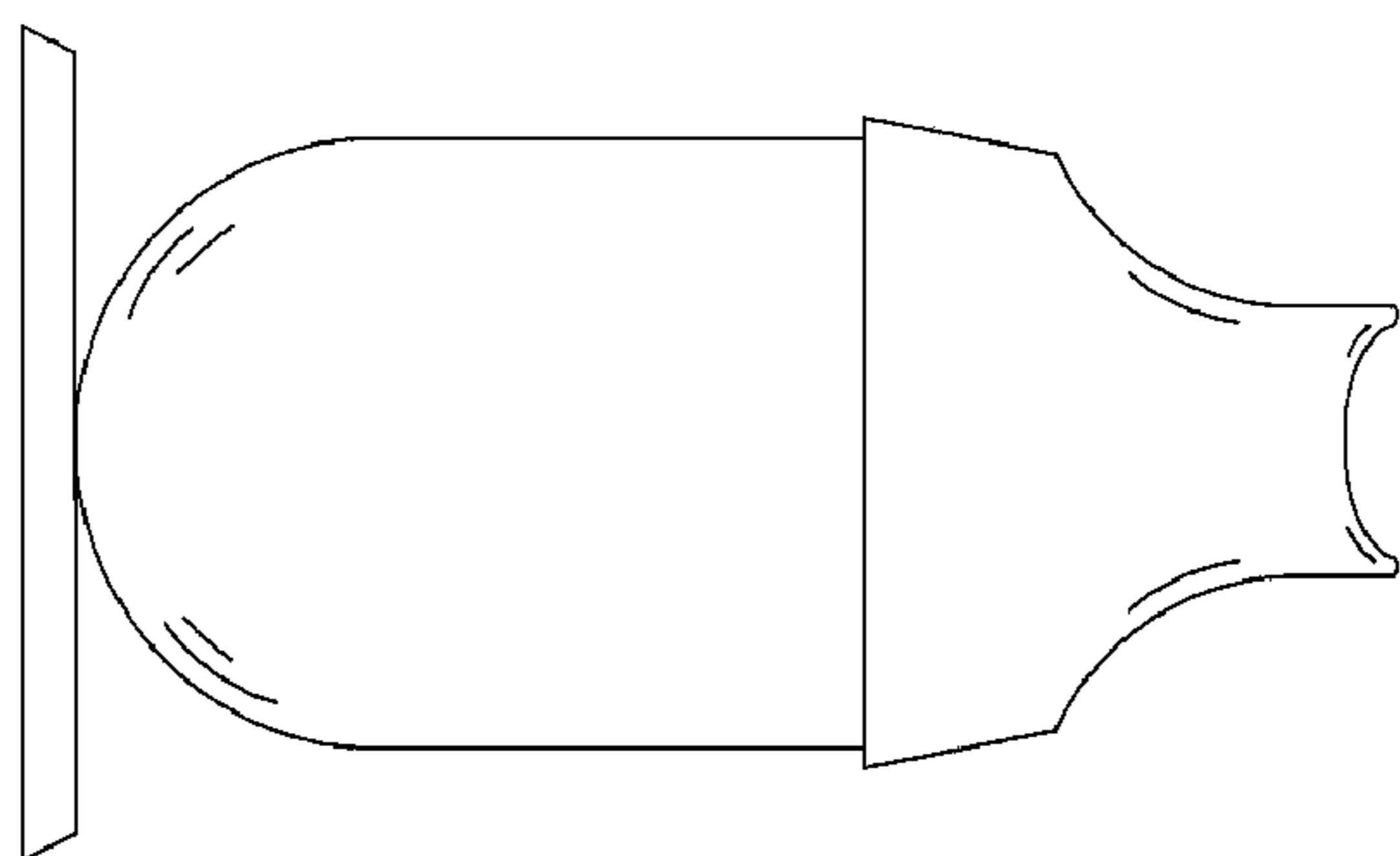


FIG. 6

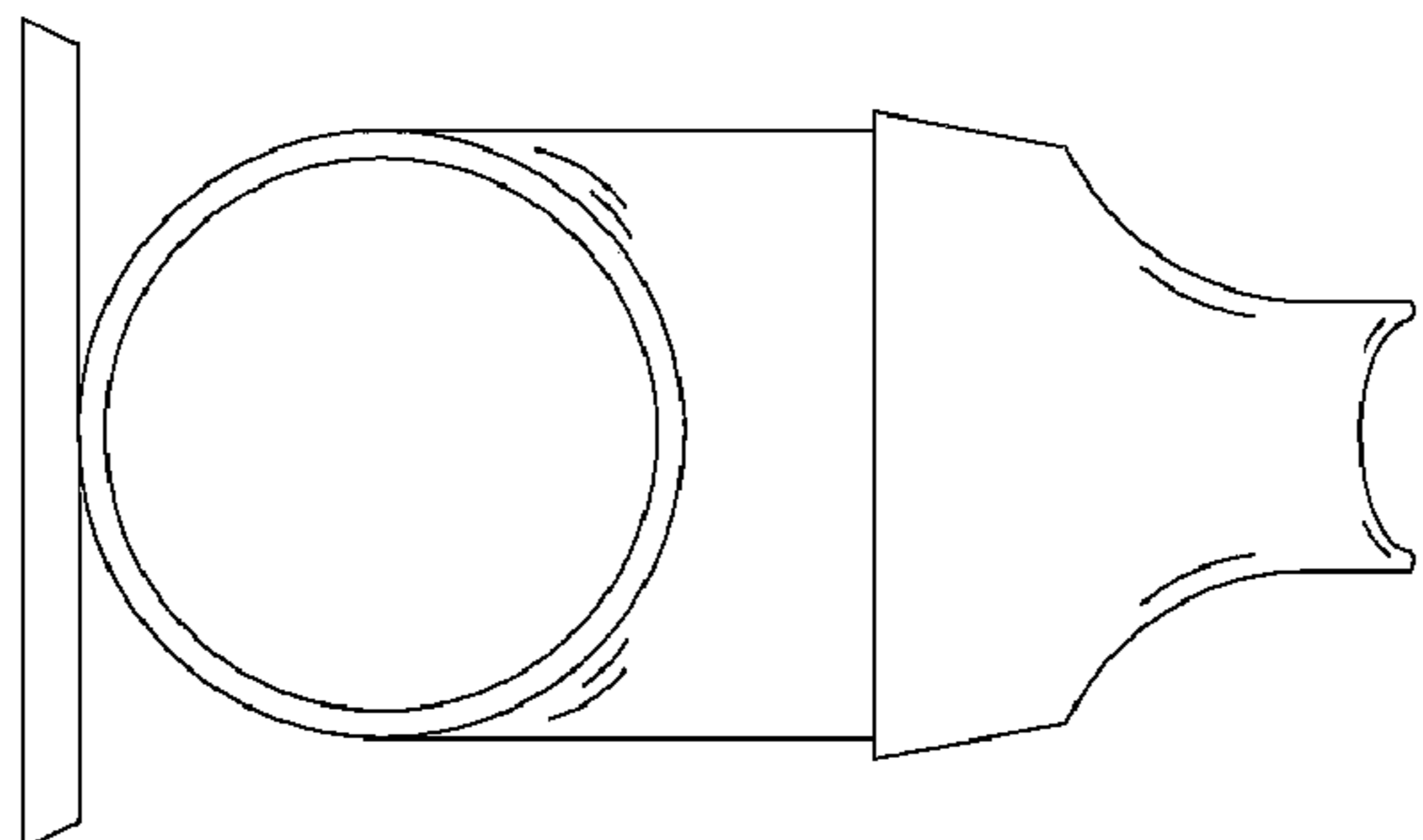


FIG. 5

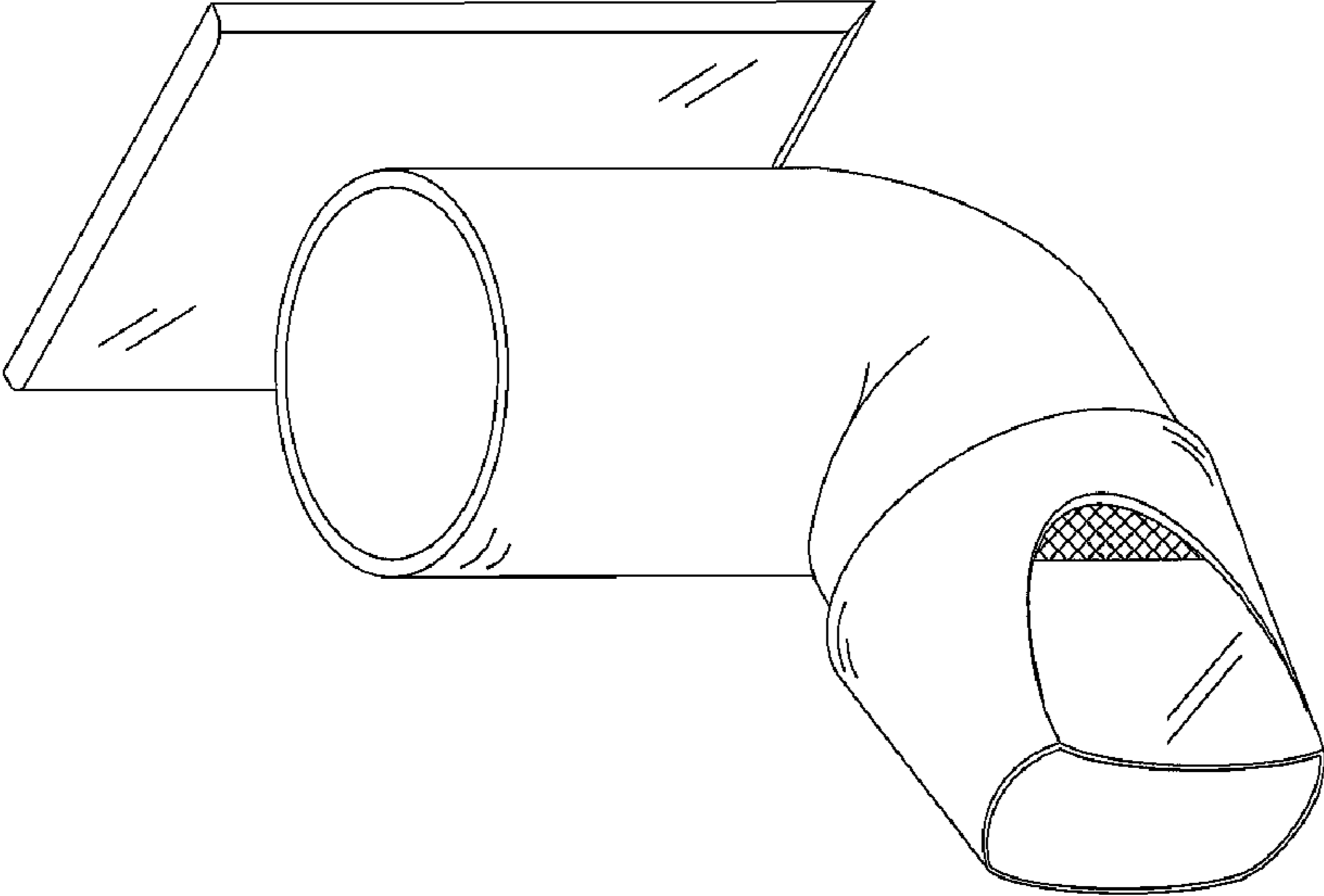


FIG. 7