



US00D685130S

(12) **United States Design Patent**
Kim et al.

(10) **Patent No.:** **US D685,130 S**
(45) **Date of Patent:** **** Jun. 25, 2013**

(54) **LED LAMP**

(56) **References Cited**

(75) Inventors: **Hwa Young Kim**, Seoul (KR); **Jin Wook Kim**, Seoul (KR); **Il Yeong Kang**, Seoul (KR); **Han Gyoul Kim**, Seoul (KR)

(73) Assignee: **LG Innoteck Co., Ltd.**, Seoul (KR)

(**) Term: **14 Years**

(21) Appl. No.: **29/401,190**

(22) Filed: **Sep. 8, 2011**

(30) **Foreign Application Priority Data**

Mar. 9, 2011 (KR) 30-2011-0009531

(51) **LOC (9) Cl.** **26-99**

(52) **U.S. Cl.**
USPC **D26/141**

(58) **Field of Classification Search**

USPC D26/155, 60, 152, 154, 74, 75, 76,
D26/77, 78, 113, 118, 119, 120, 121, 122,
D26/128, 138, 125, 124, 126, 127, 85, 86,
D26/88, 89, 90, 91, 65, 67, 68, 1, 2, 24, 141,
D26/142, 145, 144, 92, 93, 62, 63, 51, 56,
D26/55, 58, 104, 139, 140, 3; 362/101, 225,
362/634, 246, 326, 249.01-249.11, 220,
362/221, 224, 222, 223, 275, 276, 277, 271,
362/162, 450, 236; 211/10; 439/94, 95, 115,
439/110; D8/380, 396, 394, 72, 354, 349,
D8/373; D6/310, 314, 470; D23/411; D11/90,
D11/89, 132; D19/96, 90, 77, 78, 75; D13/179,
D13/180, 155

See application file for complete search history.

U.S. PATENT DOCUMENTS

D192,878	S	*	5/1962	Muller	D26/76
D357,732	S	*	4/1995	Spechts et al.	D23/388
D361,402	S	*	8/1995	Herst et al.	D26/152
5,440,466	A	*	8/1995	Belisle et al.	362/222
5,615,943	A	*	4/1997	Coldren	362/220
D427,706	S	*	7/2000	Irvine	D26/76
D428,508	S	*	7/2000	Irvine	D26/76
6,210,025	B1	*	4/2001	Schmidt et al.	362/362
D473,007	S	*	4/2003	Herst et al.	D26/113
D493,245	S	*	7/2004	Delson	D26/78
D496,747	S	*	9/2004	Herst et al.	D26/76
D514,731	S	*	2/2006	Engel	D26/88
D537,187	S	*	2/2007	Lucatello	D26/84
D556,359	S	*	11/2007	Cunius	D26/76

(Continued)

Primary Examiner — Kevin Rudzinski

(74) *Attorney, Agent, or Firm* — Lowe Hauptman Ham & Berner LLP

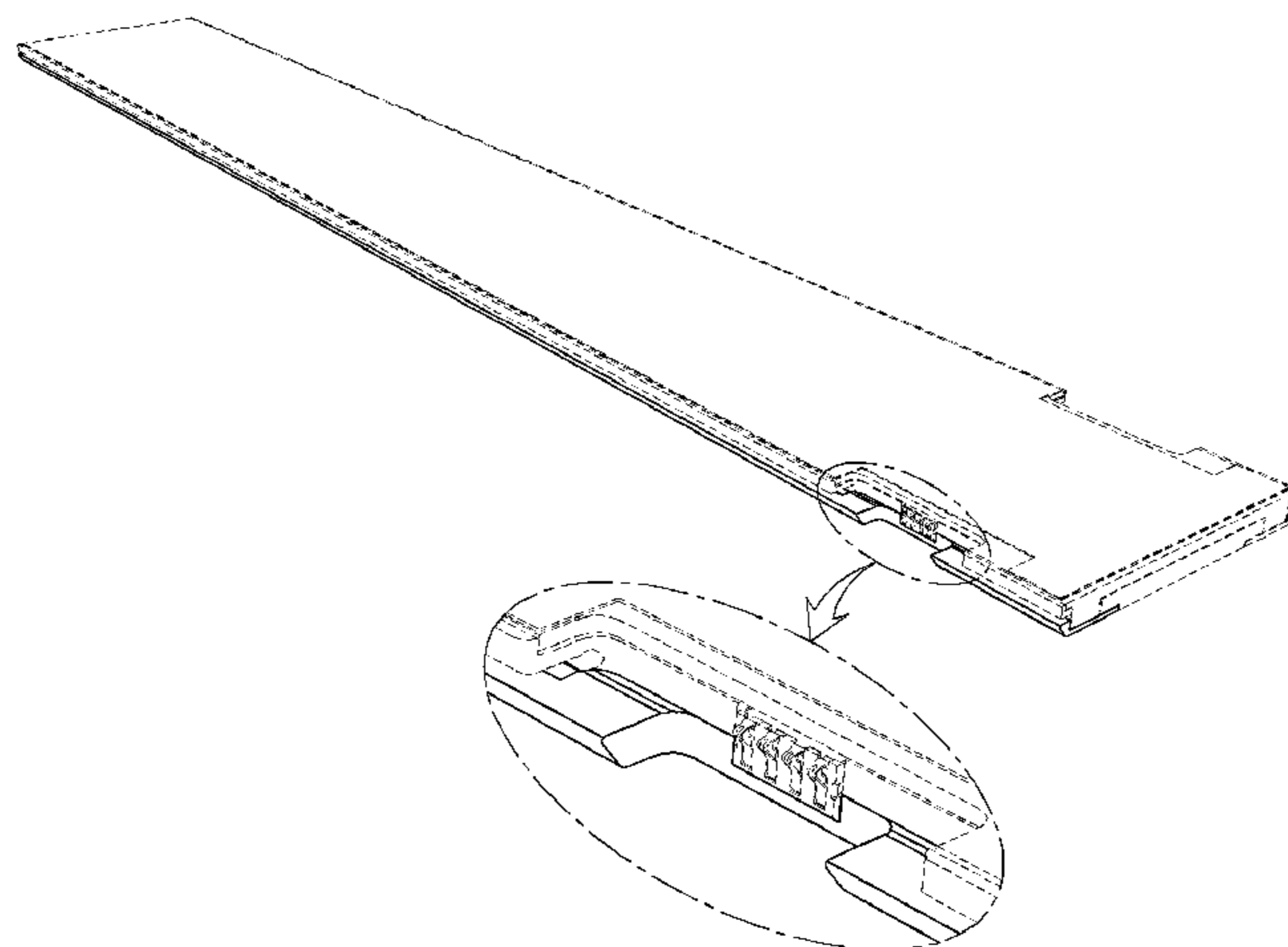
(57) **CLAIM**

The ornamental design for a LED lamp, as shown and described.

DESCRIPTION

FIG. 1 is a perspective view of a LED lamp showing our new design;
FIG. 2 is a front elevational view thereof, the rear side being a mirror image;
FIG. 3 is a left side elevational view thereof;
FIG. 4 is a right side elevational view thereof;
FIG. 5 is a top plan view thereof;
FIG. 6 is a bottom plan view thereof;
FIG. 7 is a reference view similar to FIG. 1, showing the claimed design portion disassembled from unclaimed subject matter for the purpose of illustrating the environment in which the article embodying the design is used; and,
FIG. 8 is an additional reference view including enlarged partial view of interior details of FIG. 1 and FIG. 7.
The broken lines shown in the drawings illustrate portions of the LED lamp that form no part of the claimed design.

1 Claim, 5 Drawing Sheets



US D685,130 S

Page 2

U.S. PATENT DOCUMENTS

D569,025 S *	5/2008	Hakamada	D26/74	D645,192 S *	9/2011	Chung et al.	D26/75
D573,744 S *	7/2008	Engel	D26/76	D645,194 S *	9/2011	Budike et al.	D26/76
D581,080 S *	11/2008	Mier-Langner	D26/72	D647,246 S *	10/2011	Chadwick	D26/138
D600,394 S *	9/2009	Ambruster	D26/91	D649,677 S *	11/2011	Wegger et al.	D26/90
D602,626 S *	10/2009	Santoro et al.	D26/76	D650,509 S *	12/2011	Wegger et al.	D26/90
7,604,376 B2 *	10/2009	Sloan et al.	362/246	D655,854 S *	3/2012	Kim et al.	D26/89
D606,501 S *	12/2009	Plonski et al.	D13/179	2002/0003698 A1 *	1/2002	Engel	362/224
D610,735 S *	2/2010	Chien	D26/76	2006/0018116 A1 *	1/2006	Plunk et al.	362/217
D627,915 S *	11/2010	Pei et al.	D26/76	2008/0285264 A1 *	11/2008	Whitehouse et al.	362/217
D632,004 S *	2/2011	Waldmann	D26/88	2009/0196024 A1 *	8/2009	Heiking et al.	362/150

* cited by examiner

FIG. 1

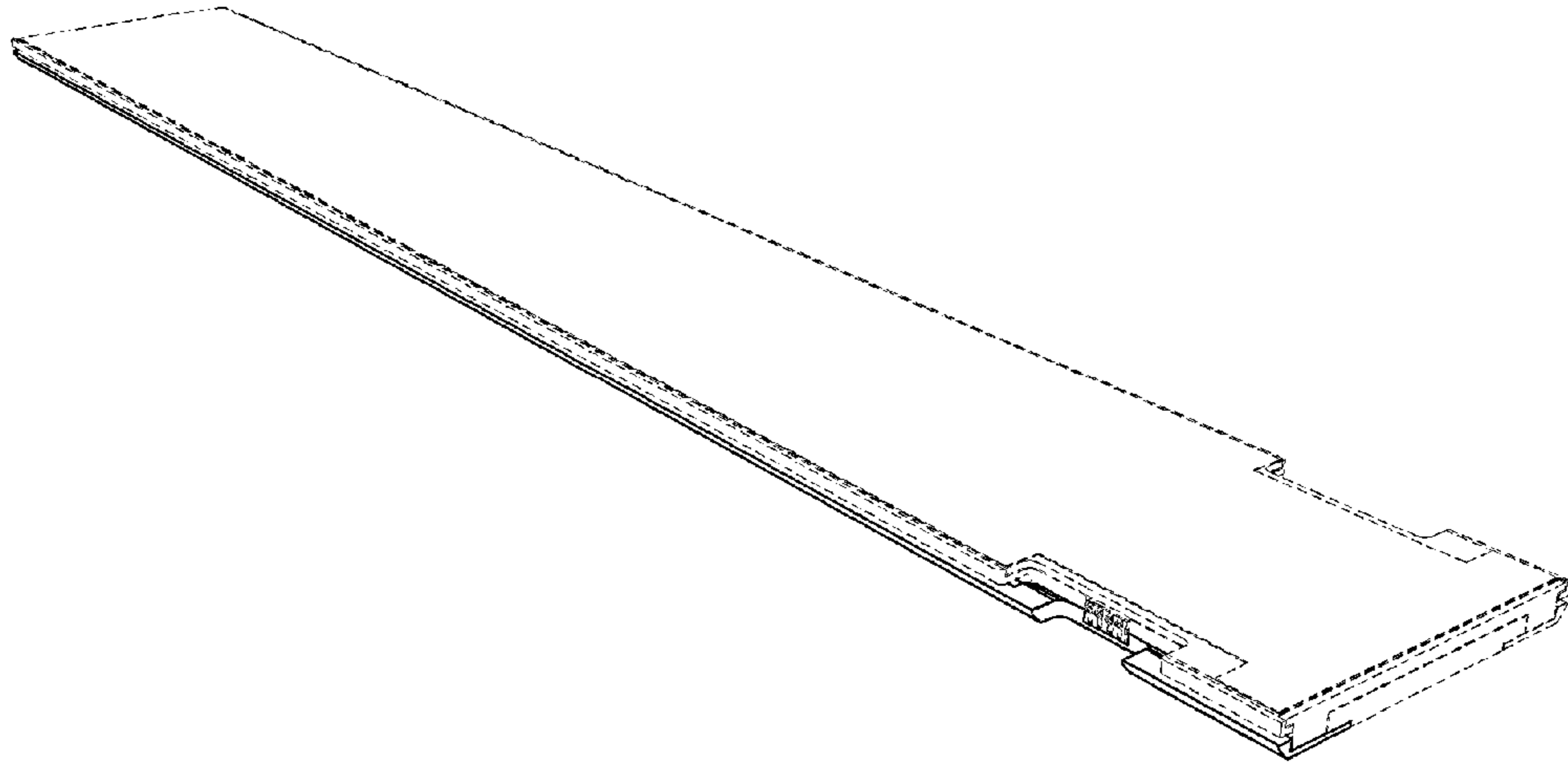


FIG. 2

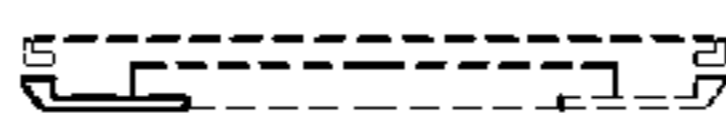


FIG. 3

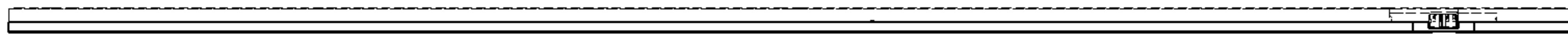


FIG. 4

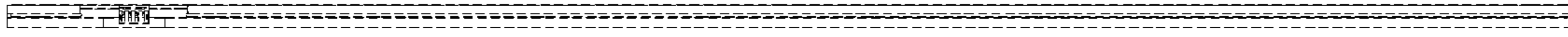


FIG. 5

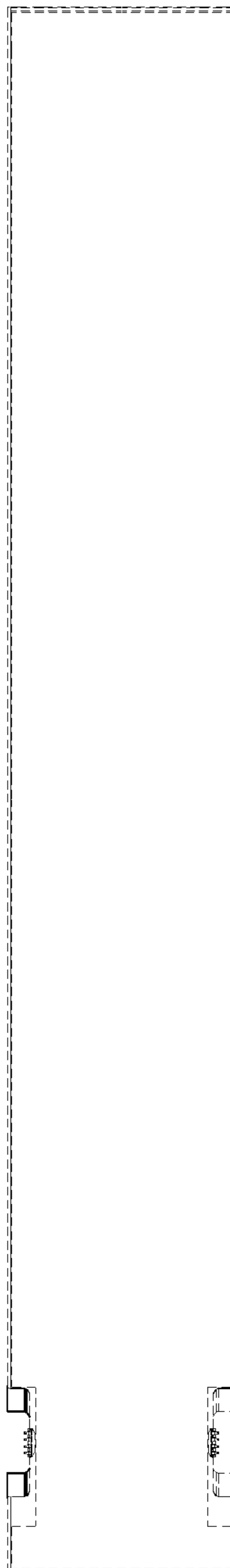


FIG. 6

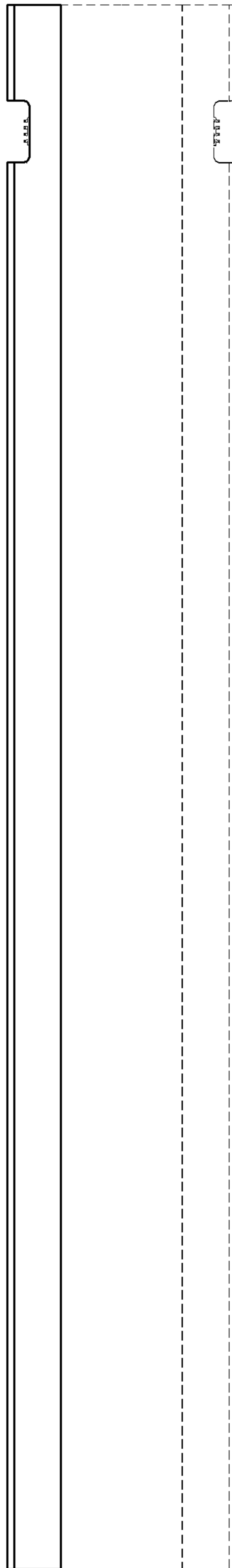


FIG. 7

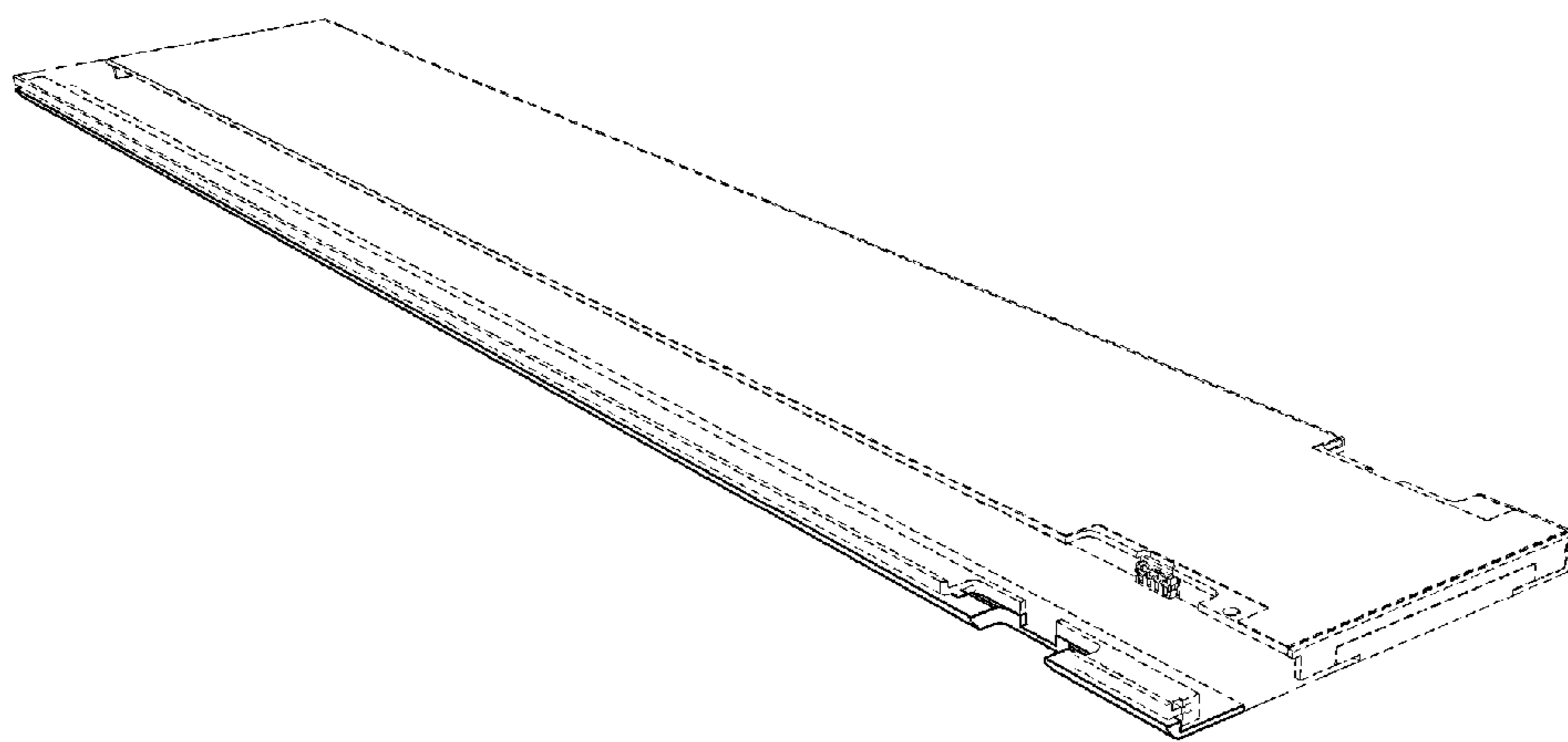


FIG. 8

