



US00D685127S

(12) **United States Design Patent**
Reich et al.

(10) **Patent No.:** **US D685,127 S**
(45) **Date of Patent:** **** Jun. 25, 2013**

- (54) **ILLUMINATED LAMP IN THE SHAPE OF A FOOTBALL**
- (76) Inventors: **George C. Reich**, Millersville, MD (US); **Charles Thorne**, Annapolis, MD (US)
- (**) Term: **14 Years**
- (21) Appl. No.: **29/417,618**
- (22) Filed: **Apr. 5, 2012**
- (51) **LOC (9) Cl.** **26-03**
- (52) **U.S. Cl.**
USPC **D26/94; D26/104**
- (58) **Field of Classification Search**
USPC D26/1, 7, 24, 51, 93, 94, 104, 106, 125, 156; 362/3, 153, 186, 217, 255, 362/257, 277, 317, 351, 353, 362, 363, 382, 431, 433, 458, 806; D11/157; D21/712, 716; D6/525; D7/301, 306; D9/668, 9414; D3/901; D99/37
See application file for complete search history.

D391,007	S	*	2/1998	Hergert	D26/104
D399,634	S	*	10/1998	Wilson et al.	D99/37
D405,721	S	*	2/1999	Dennis	D11/157
6,174,072	B1		1/2001	Root, Jr.		
D442,320	S		5/2001	Pudlowski et al.		
D448,513	S		9/2001	Sehl		
D481,570	S	*	11/2003	Kolb	D6/525
6,933,680	B2		8/2005	Oskorep et al.		
7,022,387	B1		4/2006	Fertig		
D519,729	S		5/2006	Gotlieb		
D520,230	S		5/2006	Gotlieb		
D522,710	S	*	6/2006	Beacham	D99/37
7,066,628	B2		6/2006	Allen		
D551,376	S	*	9/2007	Nunes	D26/94
D604,086	S	*	11/2009	Lipinski et al.	D7/301
D611,287	S	*	3/2010	Lochen	D7/301

* cited by examiner

Primary Examiner — Brian N Vinson

(57) **CLAIM**
The ornamental design for an ornamental illuminated lamp in the shape of a football, as shown.

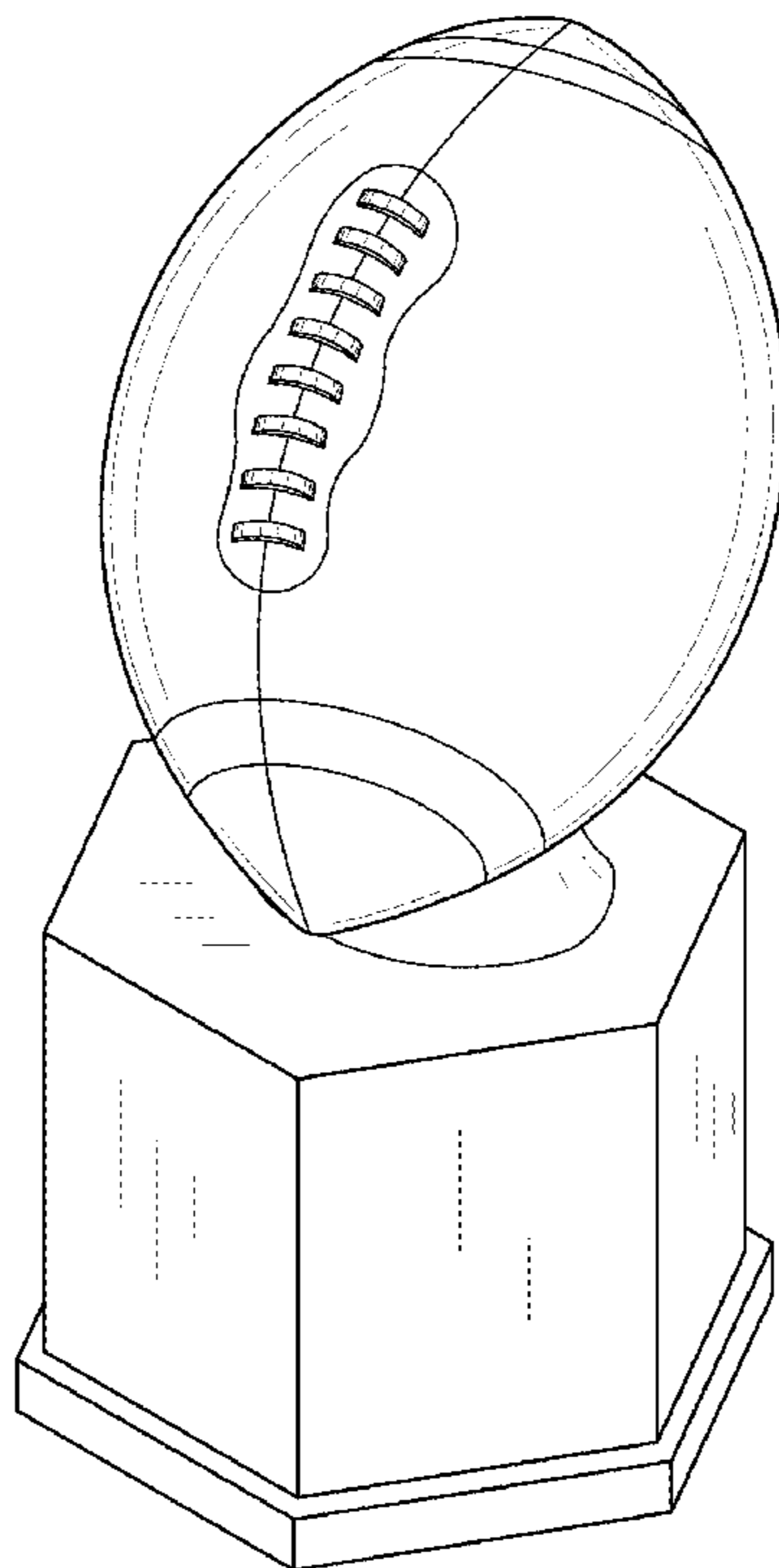
DESCRIPTION

FIG. 1 is a front view of an ornamental illuminated lamp in the shade of a football showing my new design;
FIG. 2 is a back view thereof;
FIG. 3 is a side view (opposite side view is mirror image) thereof;
FIG. 4 is a top view thereof;
FIG. 5 is a bottom view thereof; and,
FIG. 6 is a perspective view thereof.

1 Claim, 4 Drawing Sheets

(56) **References Cited**
U.S. PATENT DOCUMENTS

3,231,993	A	*	2/1966	Levy	40/493
D231,252	S	*	4/1974	Feldman et al.	D26/94
D258,125	S	*	2/1981	Bailey	D11/157
D298,105	S	*	10/1988	Lamantia, Jr.	D9/668
D310,137	S	*	8/1990	Mays	D3/271.9
D323,223	S	*	1/1992	Camino et al.	D26/104
D370,547	S	*	6/1996	Moss	D26/94



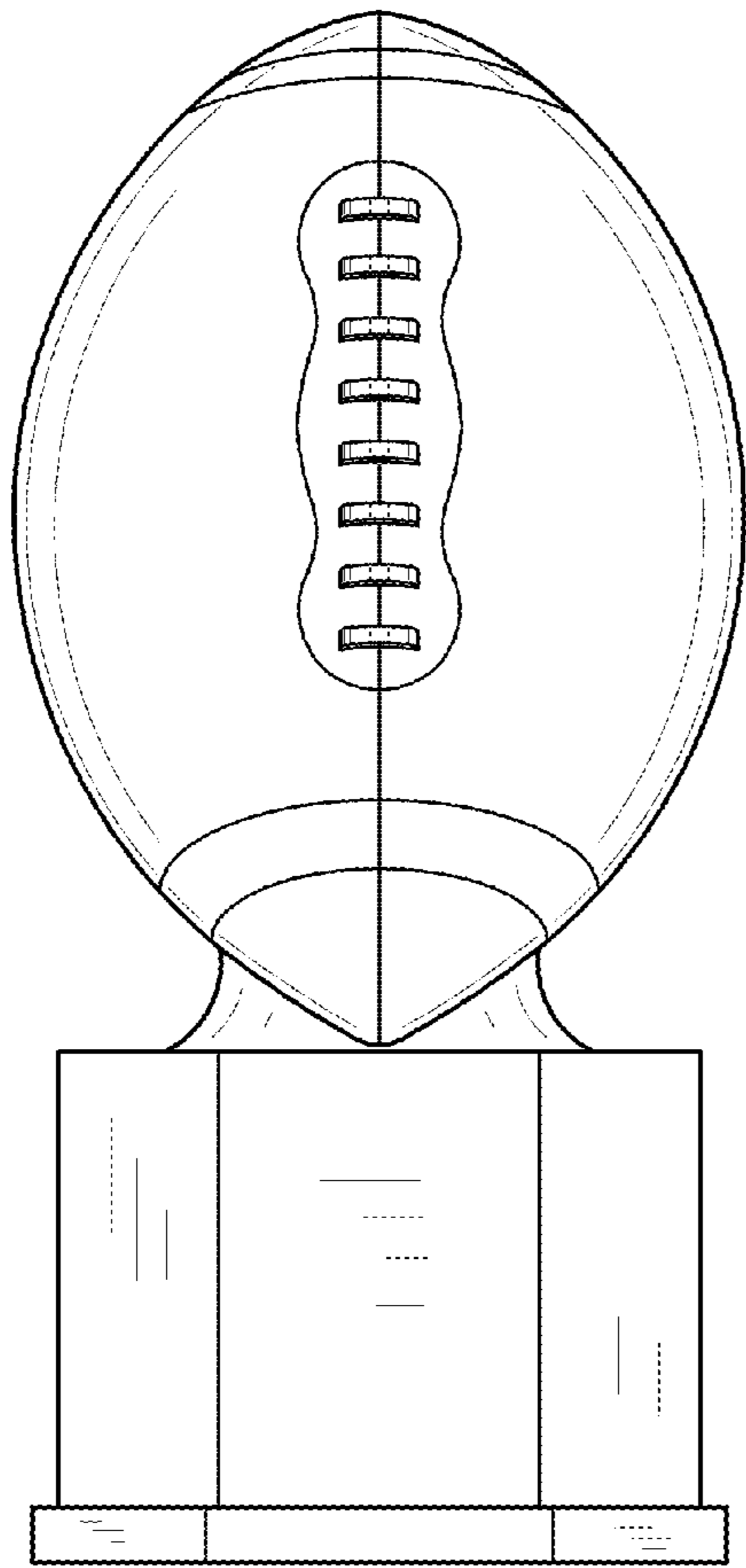


FIG. 1

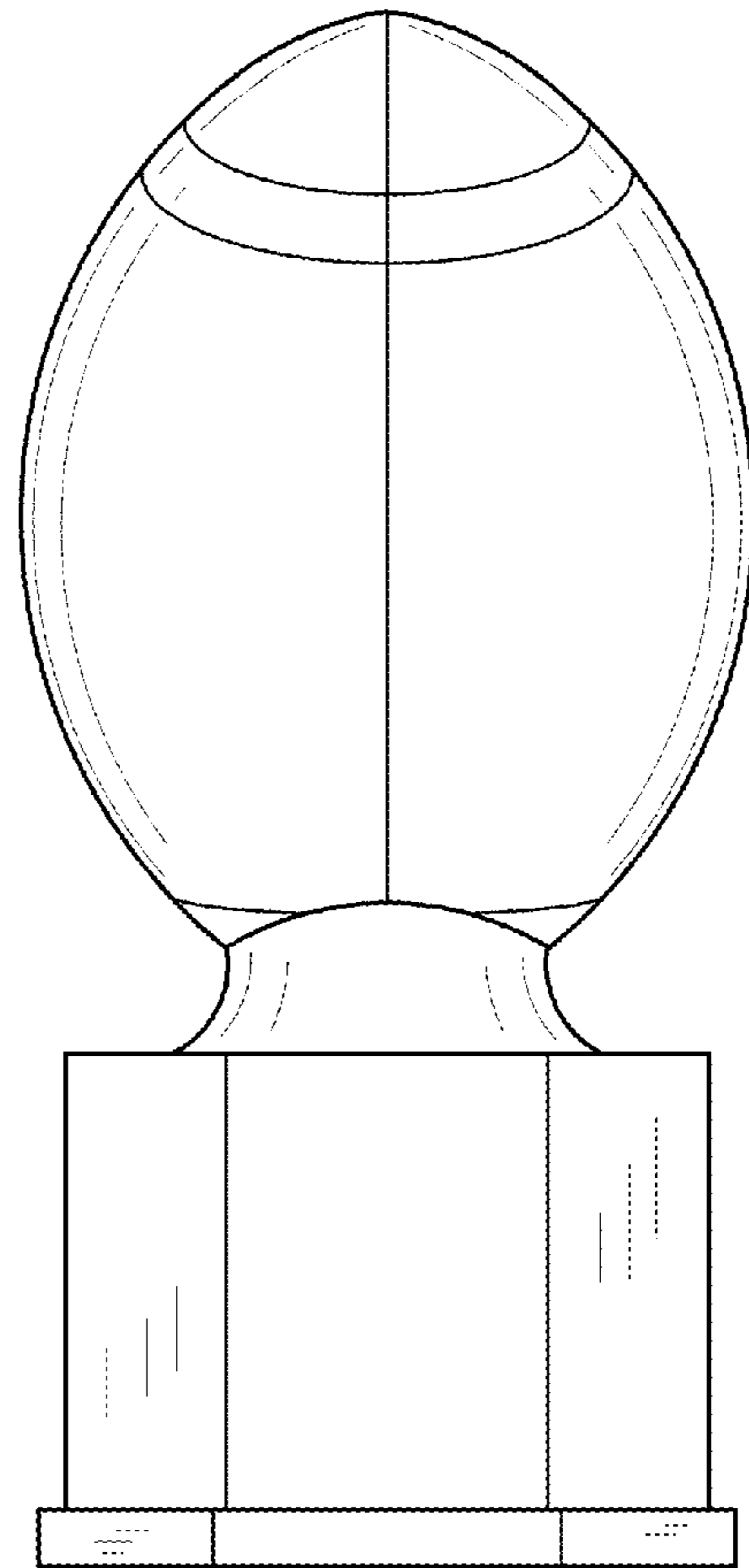


FIG. 2

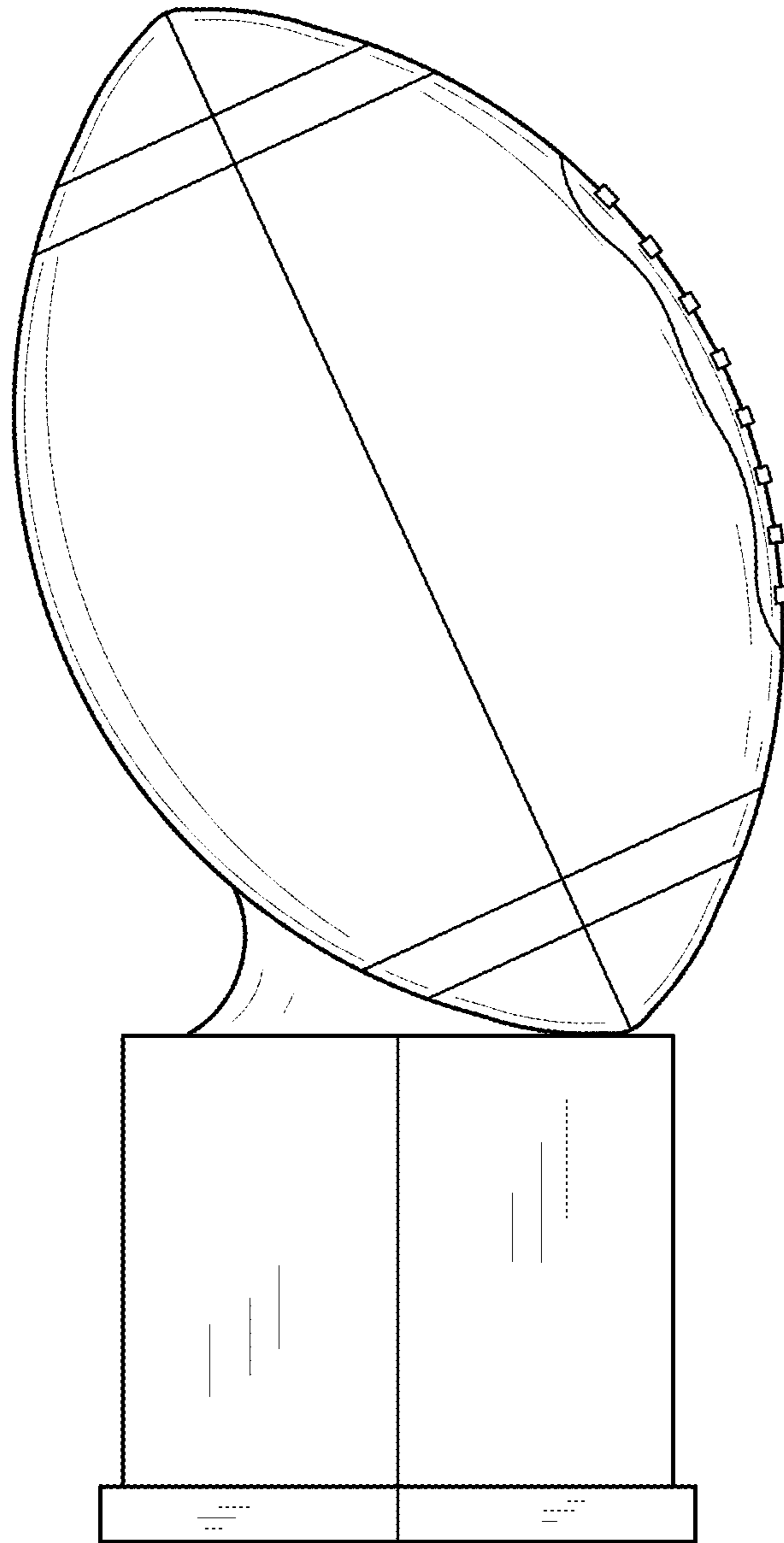


FIG. 3

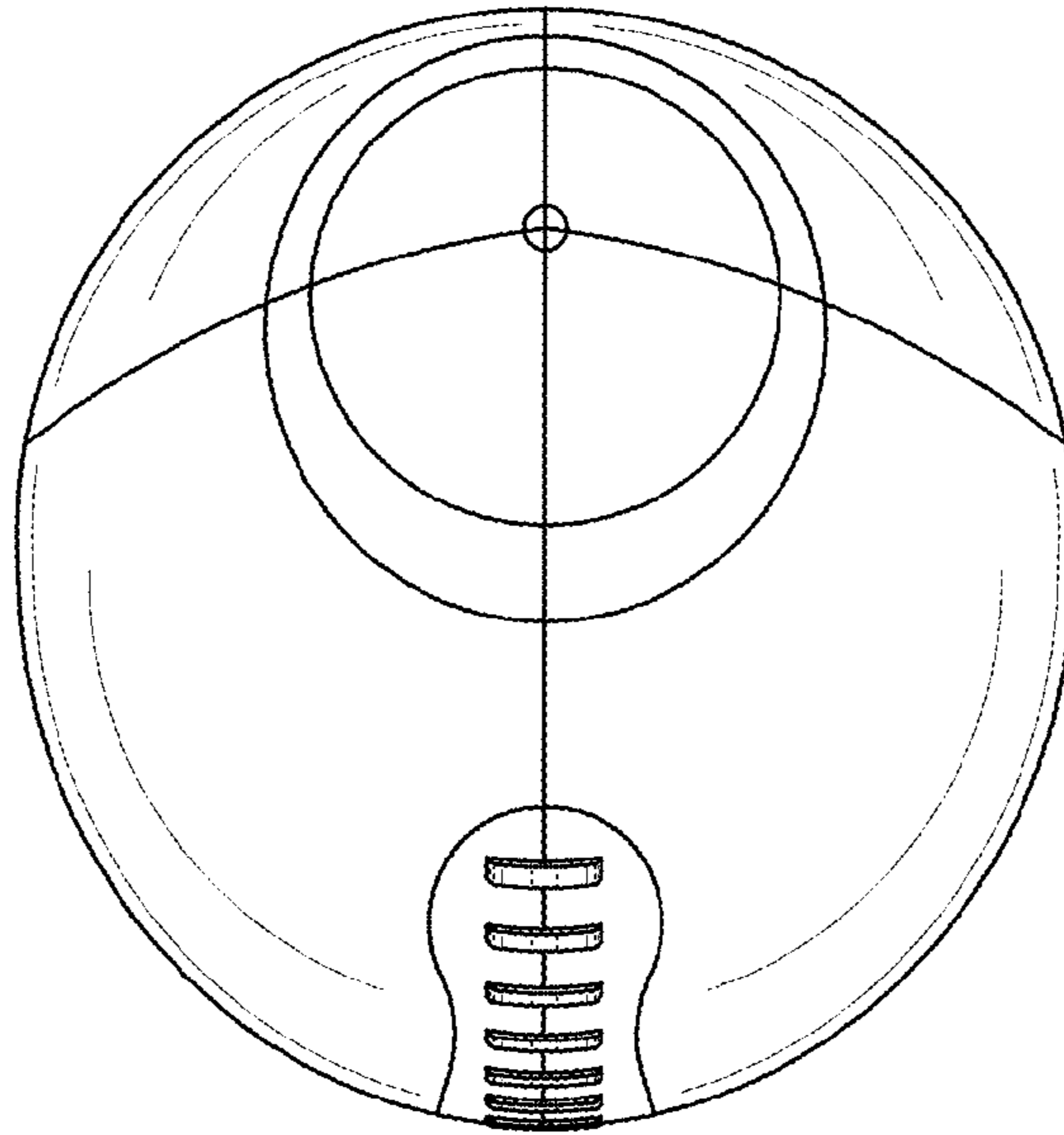


FIG. 4

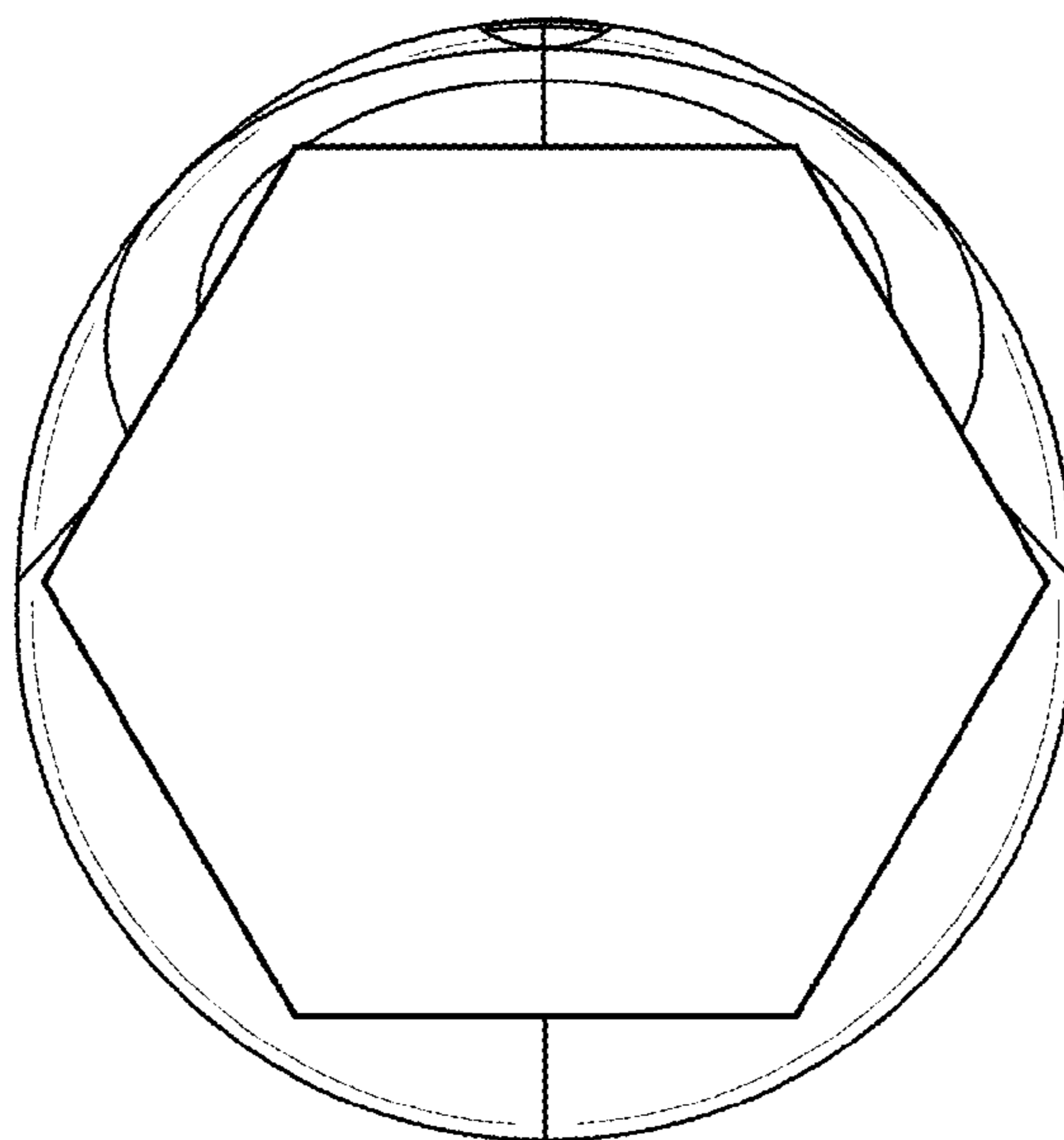


FIG. 5

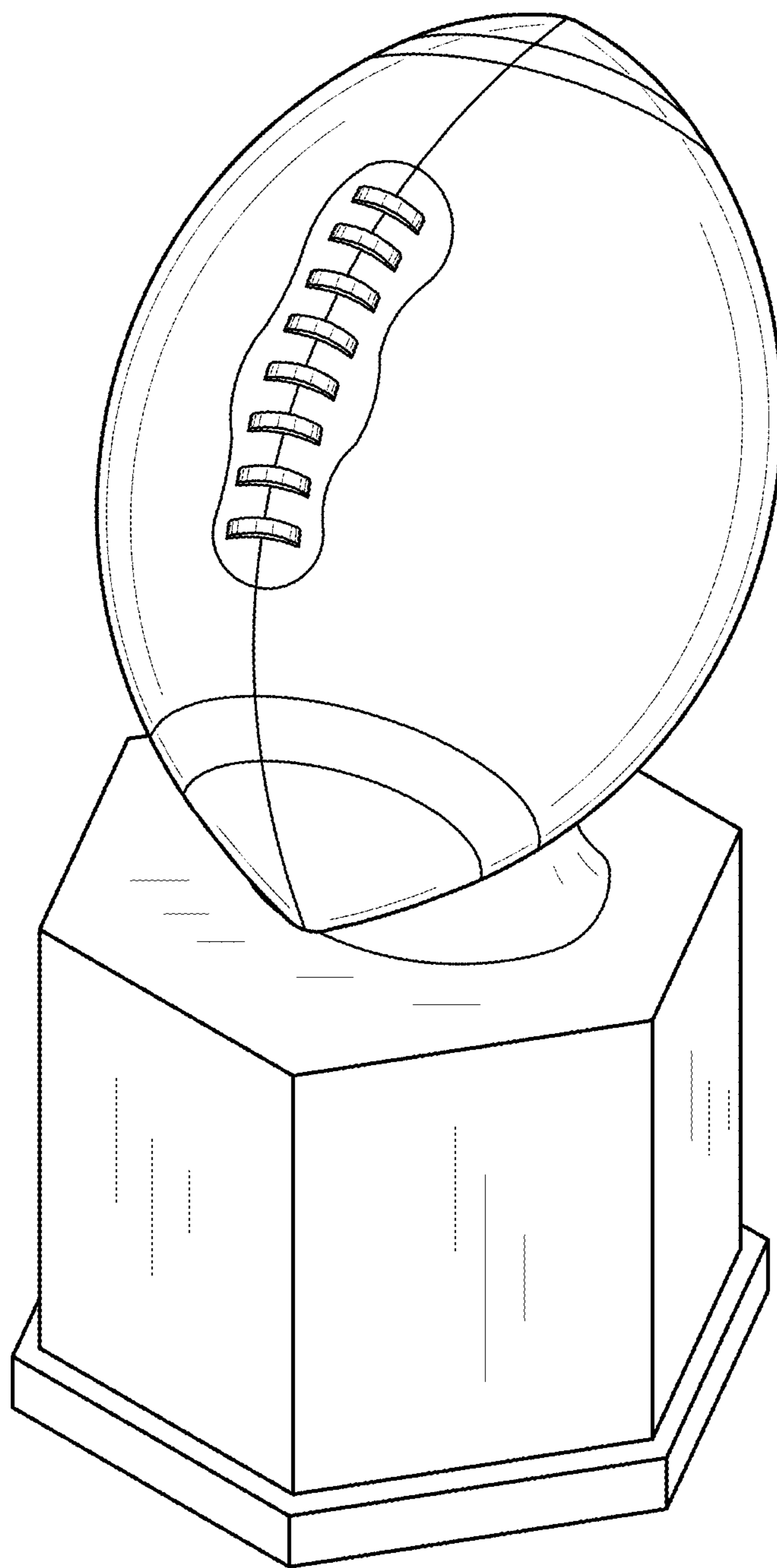


FIG. 6