



US00D685126S

(12) **United States Design Patent**
Ogg et al.

(10) **Patent No.:** **US D685,126 S**

(45) **Date of Patent:** **** Jun. 25, 2013**

(54) **OLED TASK LUMINAIRE**

(56) **References Cited**

(76) Inventors: **Jeremy W. Ogg**, Plymouth, MA (US);
Marc D. Pierce, Kingston, MA (US);
Jeremy W. Yon, Plympton, MA (US);
Wilnick Jean-Denis, Taunton, MA (US)

U.S. PATENT DOCUMENTS

3,752,730	A	*	8/1973	Koff	D11/131
D295,330	S	*	4/1988	Laroye	D26/104
D392,915	S	*	3/1998	Wininger	D11/131
D475,155	S	*	5/2003	Chen	D26/94
D645,603	S	*	9/2011	Overy et al.	D26/93
D664,888	S	*	8/2012	Villiers et al.	D11/131

(**) Term: **14 Years**

* cited by examiner

(21) Appl. No.: **29/395,535**

Primary Examiner — Brian N Vinson

(74) *Attorney, Agent, or Firm* — David W. Dranchak

(22) Filed: **Feb. 10, 2012**

(57) **CLAIM**

The ornamental design for an OLED task luminaire, as shown and described.

(51) **LOC (9) Cl.** **23-03**

(52) **U.S. Cl.**
USPC **D26/93**

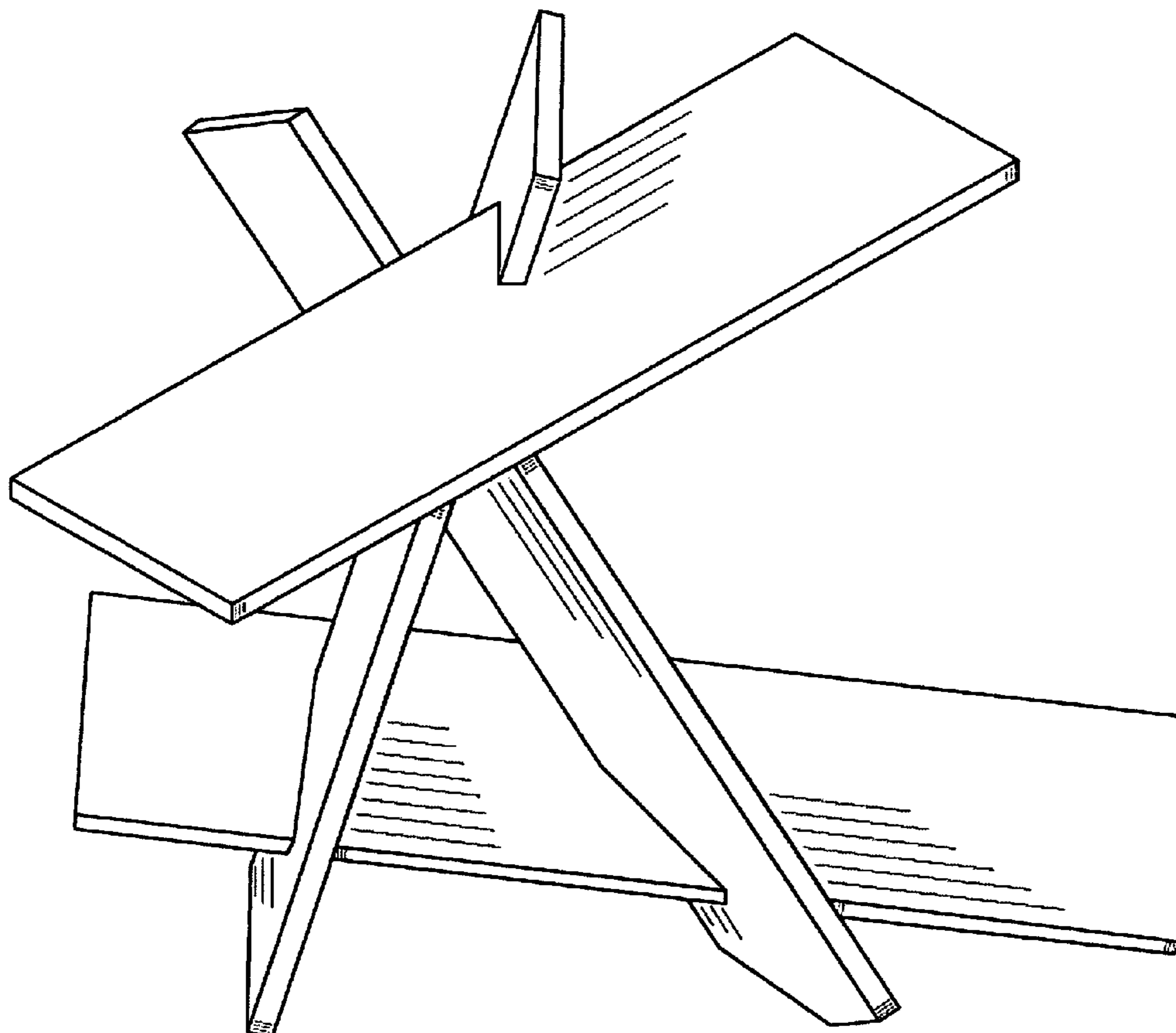
DESCRIPTION

(58) **Field of Classification Search**
USPC .. D26/1, 24, 93, 94, 104, 107, 110; D11/131;
362/153, 255, 257, 317, 362, 382, 410-414,
362/481, 427, 431, 433, 441

FIG. 1 is a perspective view of the OLED luminaire;
FIG. 2 is a front view thereof;
FIG. 3 is a left side view thereof;
FIG. 4 is a right side view thereof;
FIG. 5 is a top view thereof; and,
FIG. 6 is a bottom view thereof.

See application file for complete search history.

1 Claim, 6 Drawing Sheets



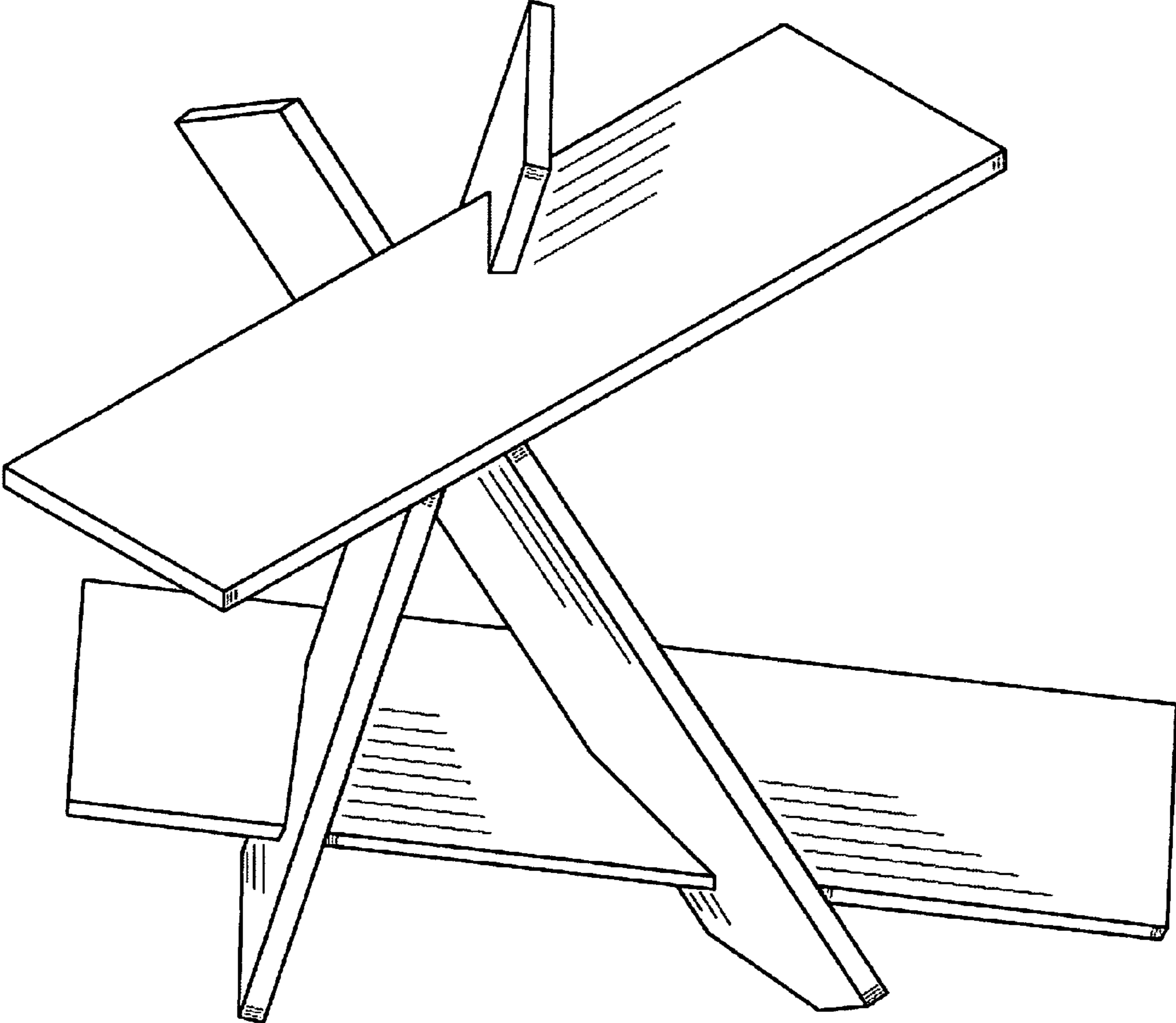


FIGURE 1

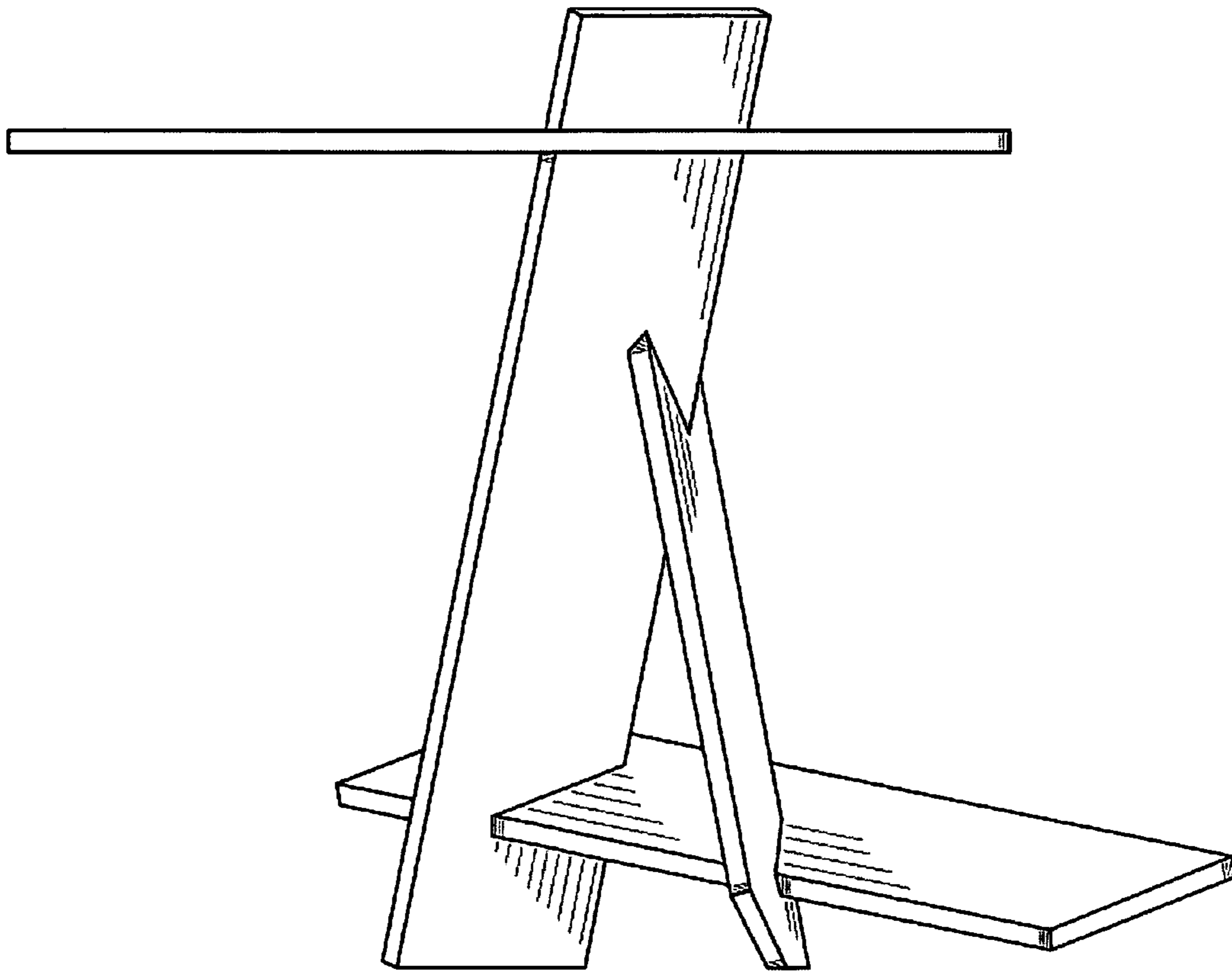


FIGURE 2

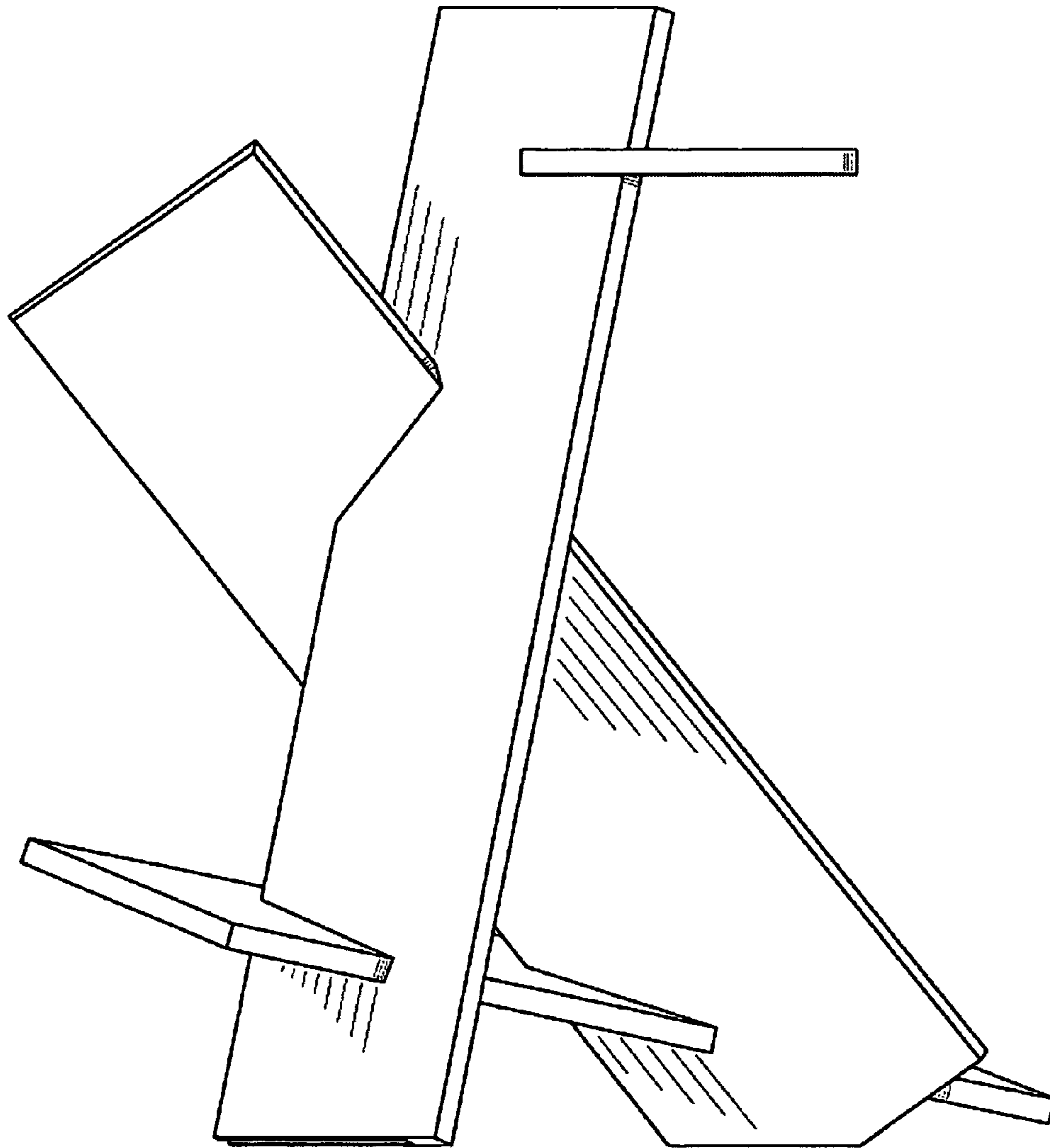


FIGURE 3

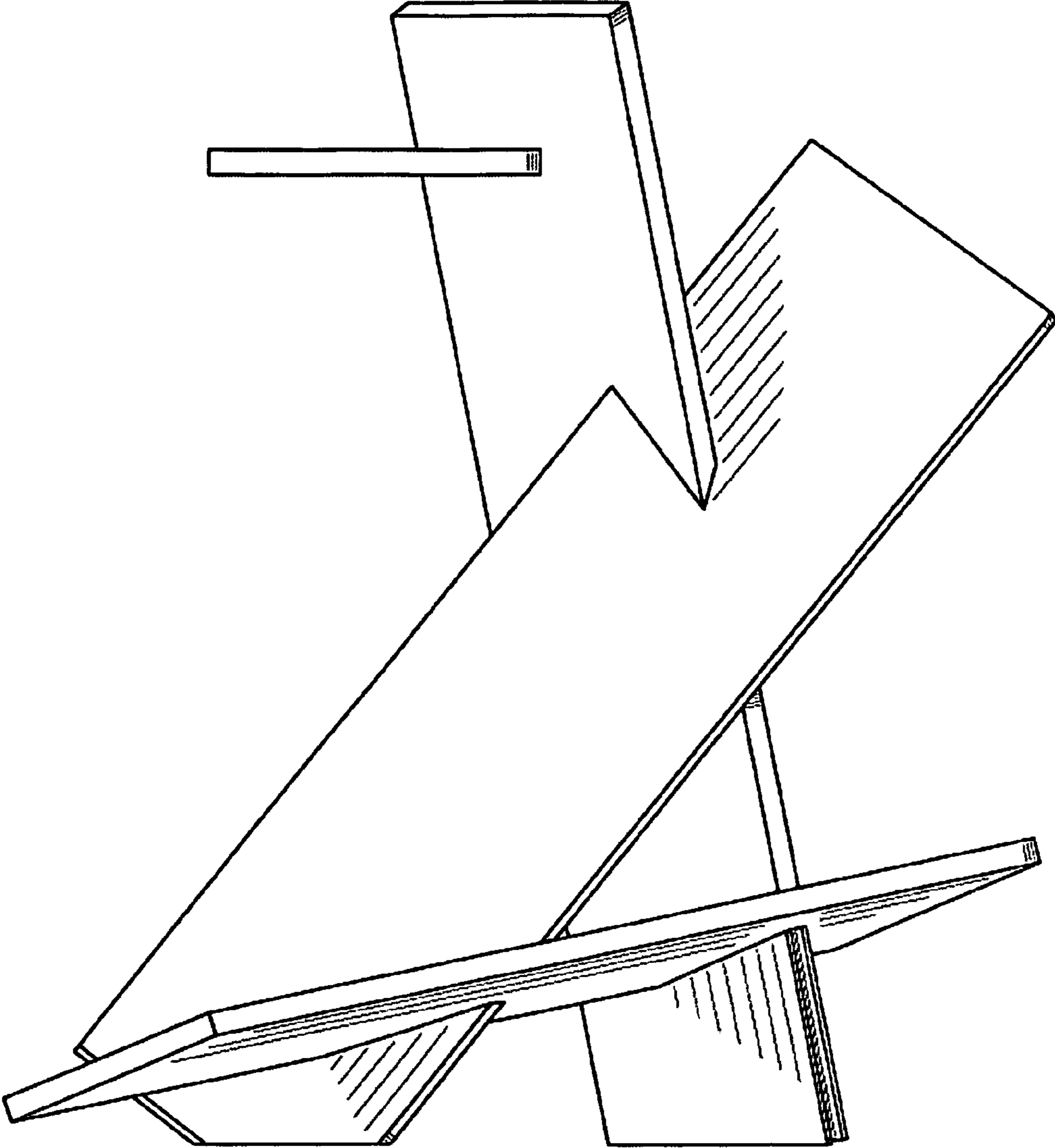


FIGURE 4

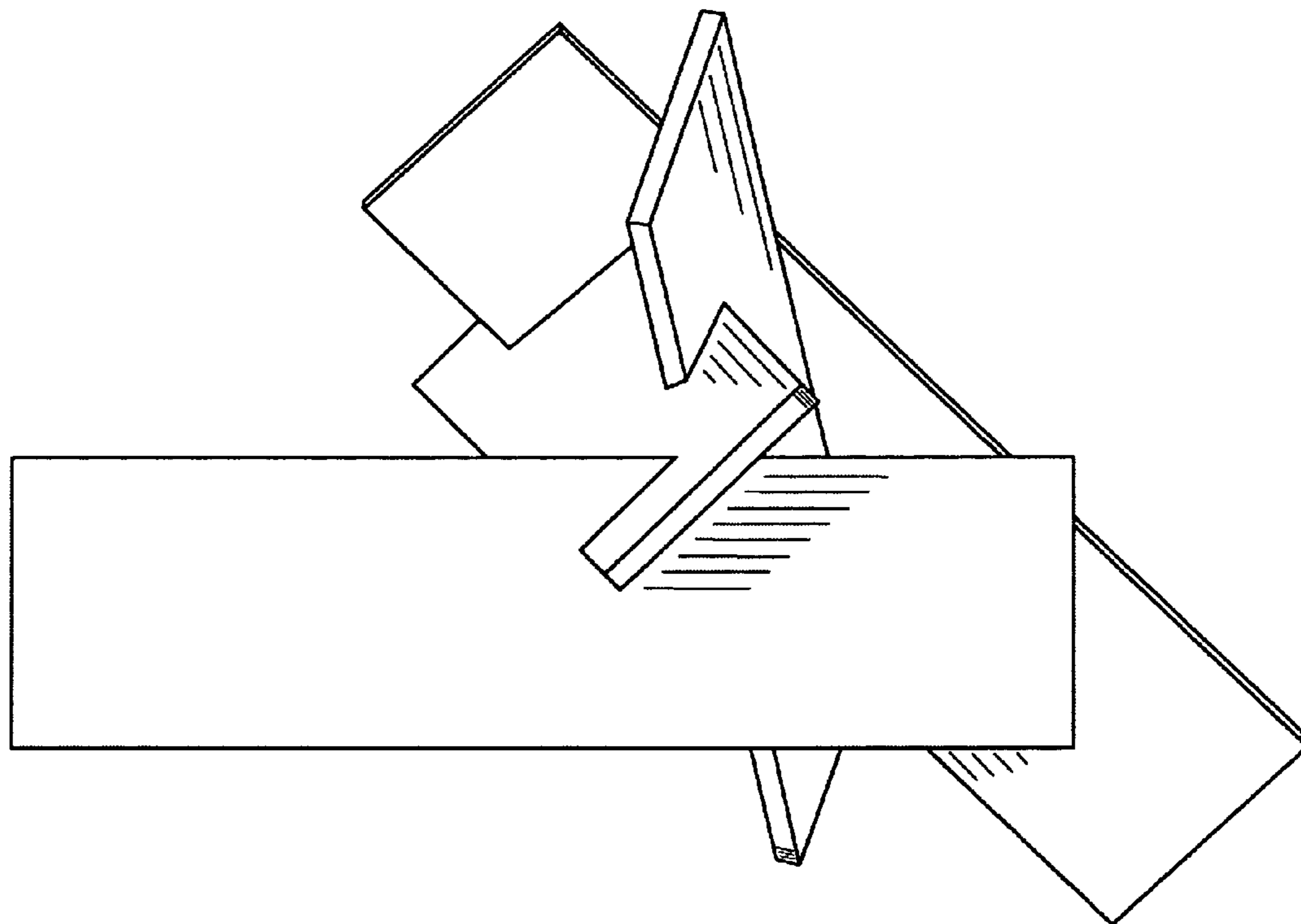


FIGURE 5

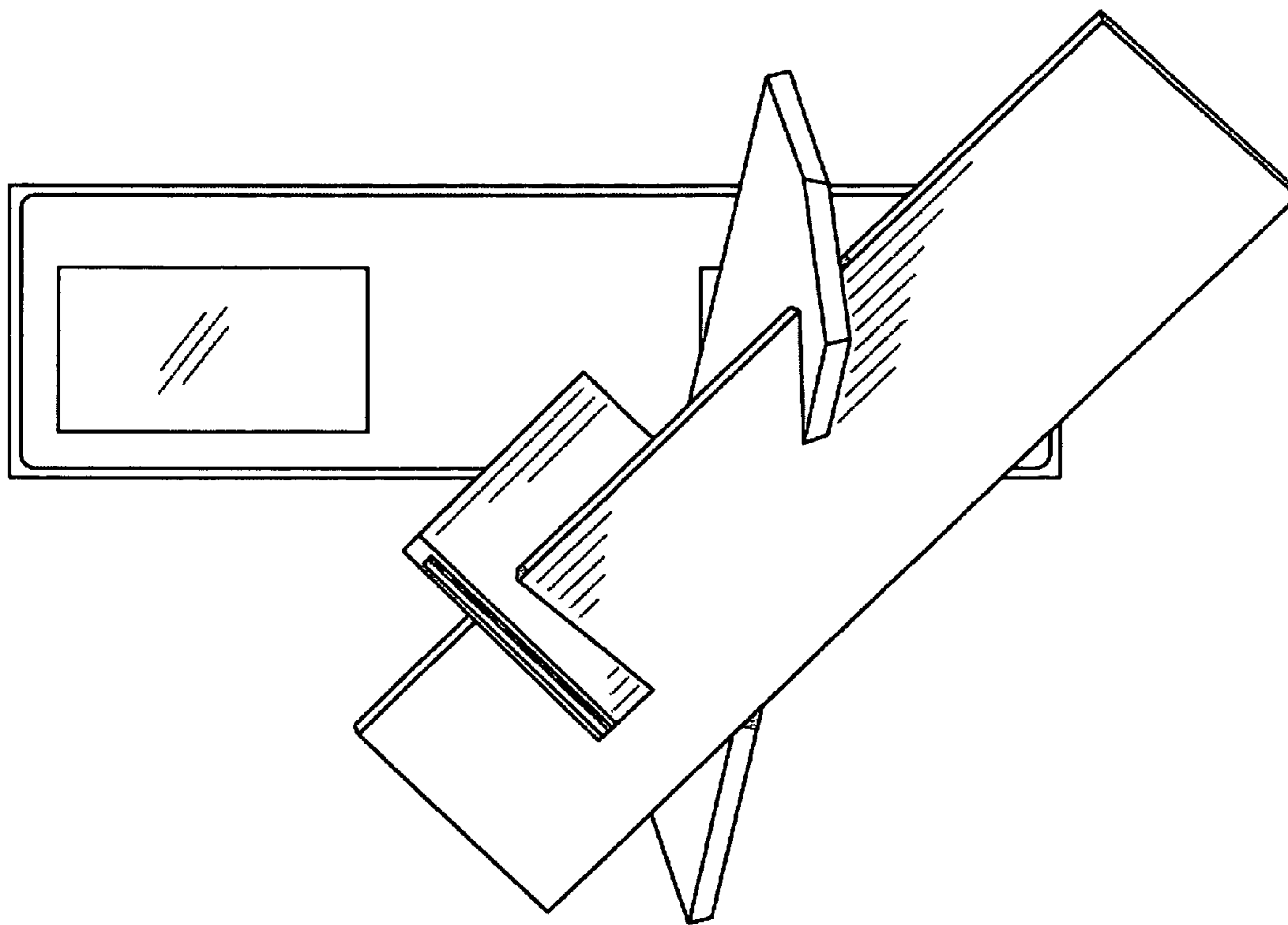


FIGURE 6