

US00D685122S

(12) **United States Design Patent**
Kim et al.

(10) **Patent No.:** **US D685,122 S**
(45) **Date of Patent:** **** Jun. 25, 2013**

(54) **LED LIGHT**

(75) Inventors: **Yun Ha Kim**, Seoul (KR); **Dong Soo Kim**, Seoul (KR)

(73) Assignee: **LG Innotek Co., Ltd.**, Seoul (KR)

(**) Term: **14 Years**

(21) Appl. No.: **29/431,923**

(22) Filed: **Sep. 12, 2012**

Related U.S. Application Data

(62) Division of application No. 29/376,759, filed on Oct. 12, 2010, now Pat. No. Des. 671,253.

Foreign Application Priority Data

Apr. 10, 2010 (KR) 30-2010-0015947
Apr. 10, 2010 (KR) 30-2010-0015948
Apr. 10, 2010 (KR) 30-2010-0015949
Apr. 10, 2010 (KR) 30-2010-0015950

(51) **LOC (9) Cl.** **26-05**

(52) **U.S. Cl.**
USPC **D26/74**

(58) **Field of Classification Search**

USPC D26/72, 74, 75, 76, 77, 78, 79, 80,
D26/81, 82, 83, 84, 85, 88, 89, 90, 122;
362/145, 146, 147, 148, 150, 151, 152, 153,
362/153.1, 217.01, 217.02, 217.05, 217.06,
362/217.07, 217.08, 217.09, 217.1, 217.11,
362/249.02, 260, 296.07, 311.02

See application file for complete search history.

(56) **References Cited**

U.S. PATENT DOCUMENTS

D145,323 S 7/1946 Nitardy
3,209,142 A * 9/1965 Michel et al. 362/236
D393,734 S 4/1998 Casteel
D407,473 S 3/1999 Wimbock
D483,510 S * 12/2003 Fritze et al. D26/75
D544,993 S * 6/2007 Mayfield et al. D26/118

(Continued)

OTHER PUBLICATIONS

Election/Restriction Requirement issued in U.S. Appl. No. 29/376,759 dated May 3, 2012.

Primary Examiner — Angela J Lee

(74) *Attorney, Agent, or Firm* — KED & Associates LLP

(57) **CLAIM**

We claim the ornamental design for a LED light, as shown and described.

DESCRIPTION

FIG. 1 is a front perspective view of a LED light according to an embodiment;

FIG. 2 is a front view of the LED light of FIG. 1;

FIG. 3 is a rear view of the LED light of FIG. 1;

FIG. 4 is a left side view of the LED light of FIG. 1;

FIG. 5 is a right side view of the LED light of FIG. 1;

FIG. 6 is a top view of the LED light of FIG. 1;

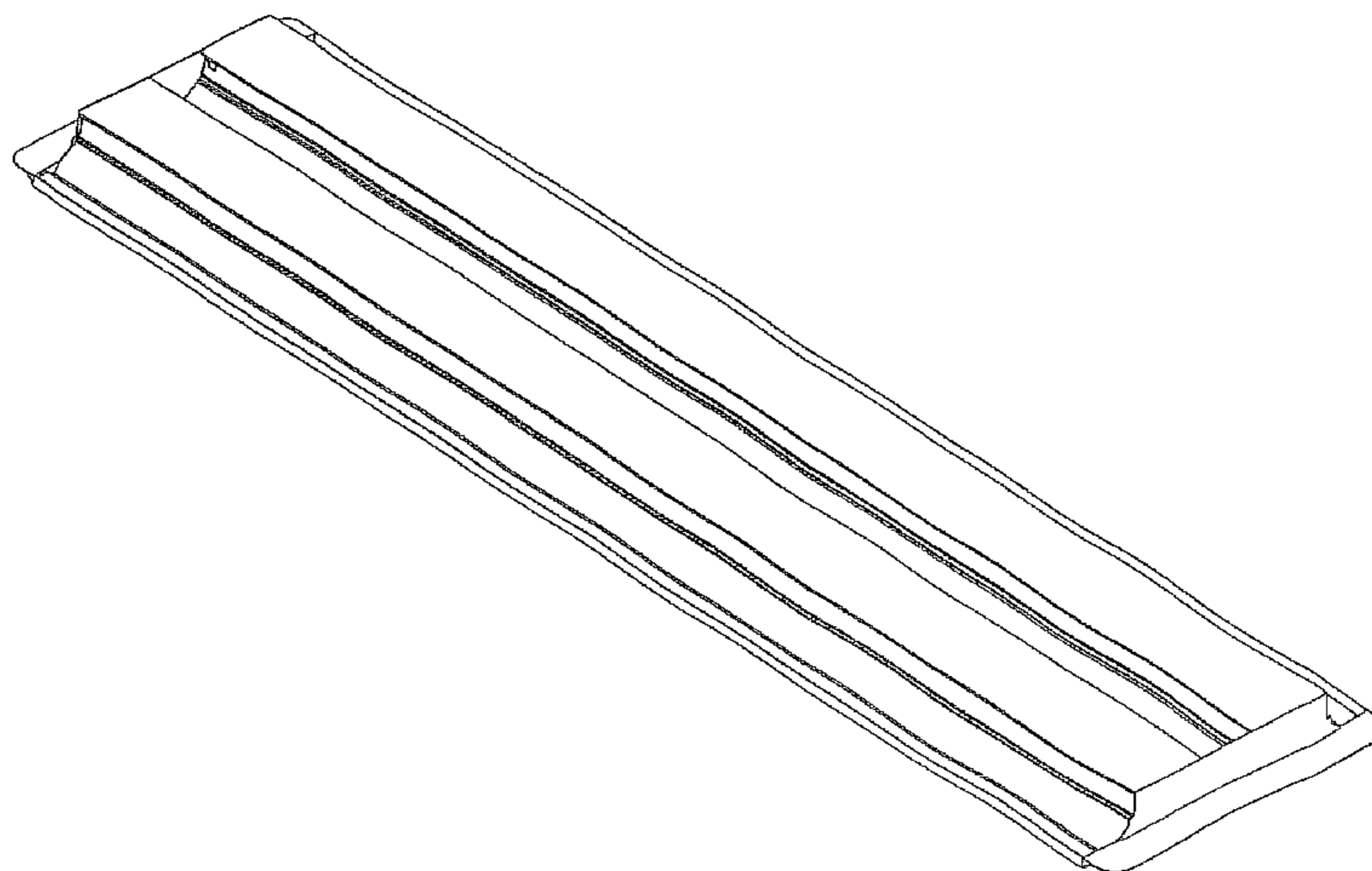
FIG. 7 is a bottom view of the LED light of FIG. 1; and,

FIG. 8 is a perspective view of the LED light of FIG. 1 shown in use with the exemplary ceiling and light emitting parts shown in broken lines; and,

FIG. 9 is a cross-sectional view of the frame for a ceiling light taken along line IX-IX of FIG. 1.

The broken lines shown in the drawings form no part of the claimed design.

1 Claim, 6 Drawing Sheets



US D685,122 S

Page 2

U.S. PATENT DOCUMENTS

D545,991 S *	7/2007	Mayfield et al.	D26/118	D633,247 S	2/2011	Kong et al.	
D580,583 S	11/2008	Pfund		D644,374 S *	8/2011	Ferrier	D26/118
D596,778 S *	7/2009	Yamazato	D26/76	D653,376 S	1/2012	Kong et al.	
D604,446 S	11/2009	Fowler et al.		D671,253 S *	11/2012	Kim et al.	D26/74
D608,932 S	1/2010	Castelli		D671,667 S *	11/2012	Kim et al.	D26/74
D609,385 S	2/2010	Castelli		D673,324 S *	12/2012	Mayfield et al.	D26/120
D614,792 S	4/2010	Fabbri et al.		2007/0133215 A1 *	6/2007	Mayfield et al.	362/382
D616,138 S	5/2010	Lasthein et al.		2007/0211457 A1	9/2007	Mayfield et al.	
D617,487 S	6/2010	Fowler et al.		2007/0291481 A1 *	12/2007	Gould et al.	362/223
D632,832 S *	2/2011	Lown et al.	D26/120				

* cited by examiner

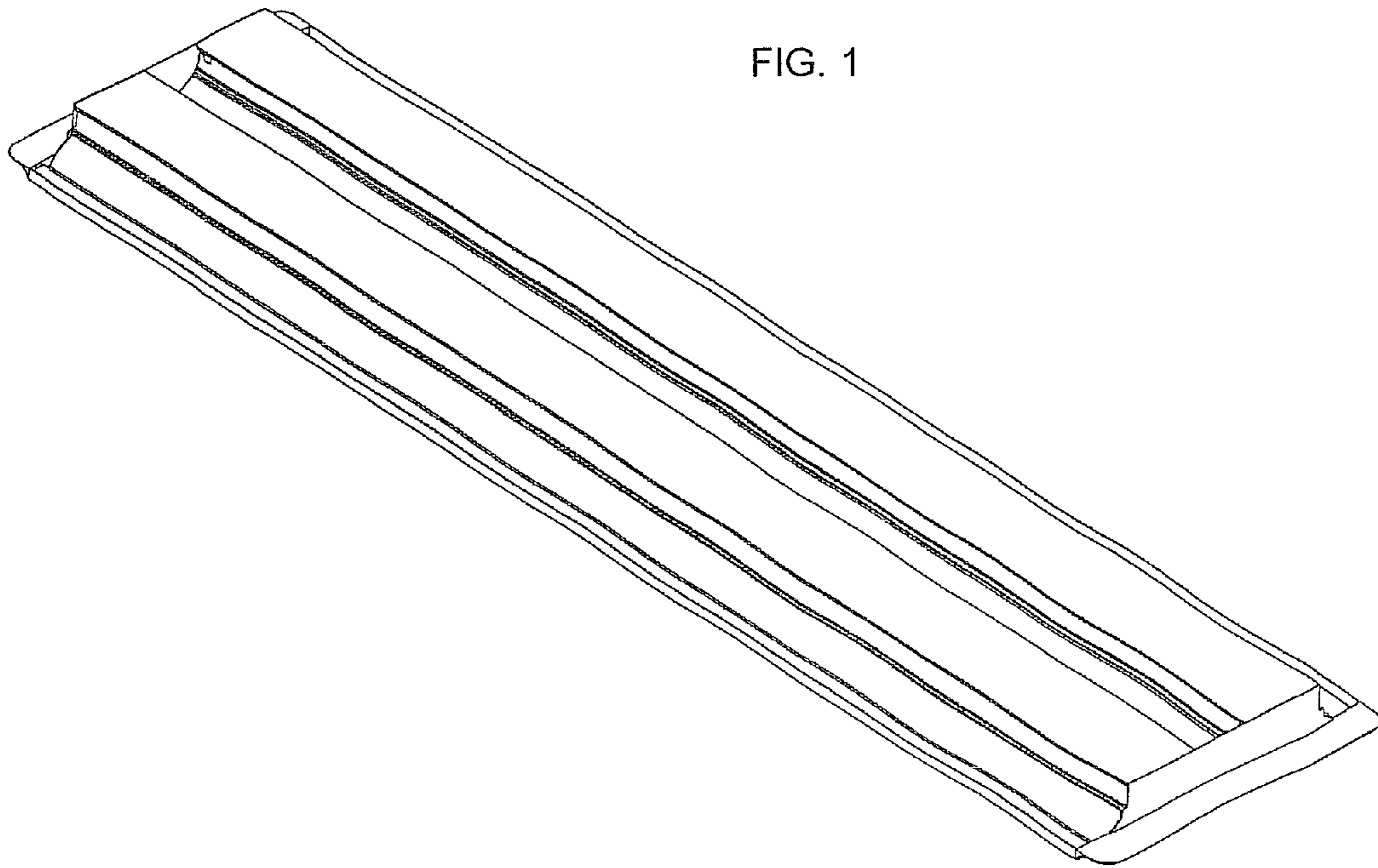


FIG. 1

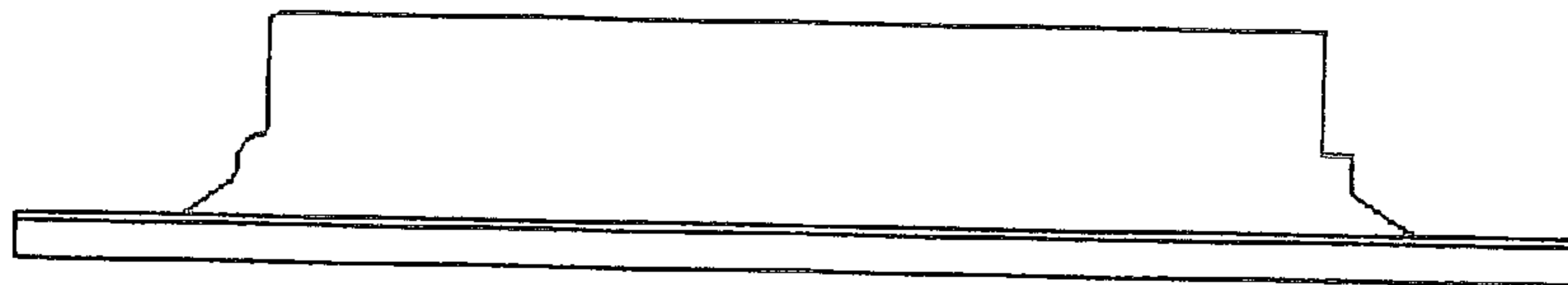


FIG. 2

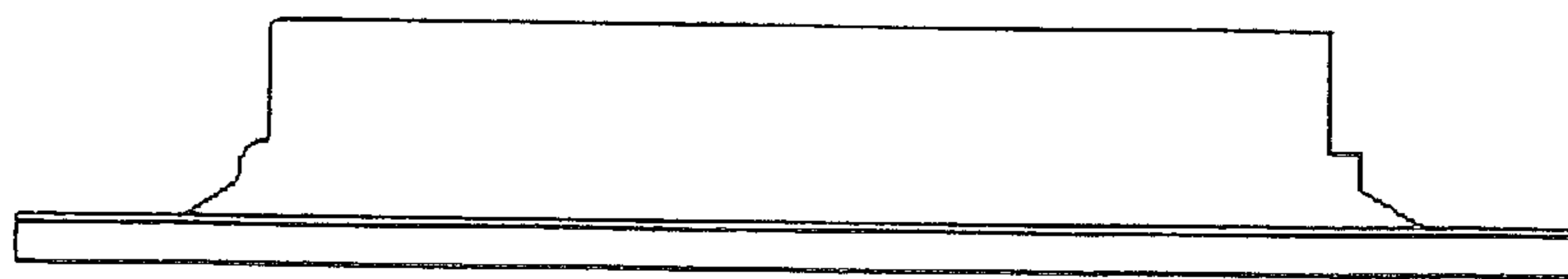


FIG. 3

FIG. 4

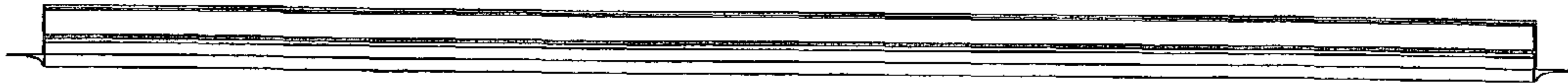


FIG. 5

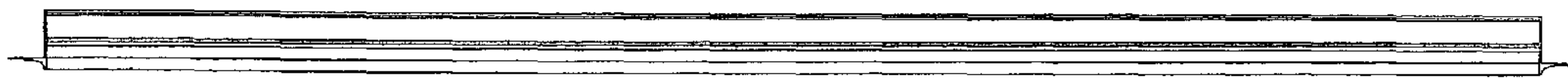


FIG. 6

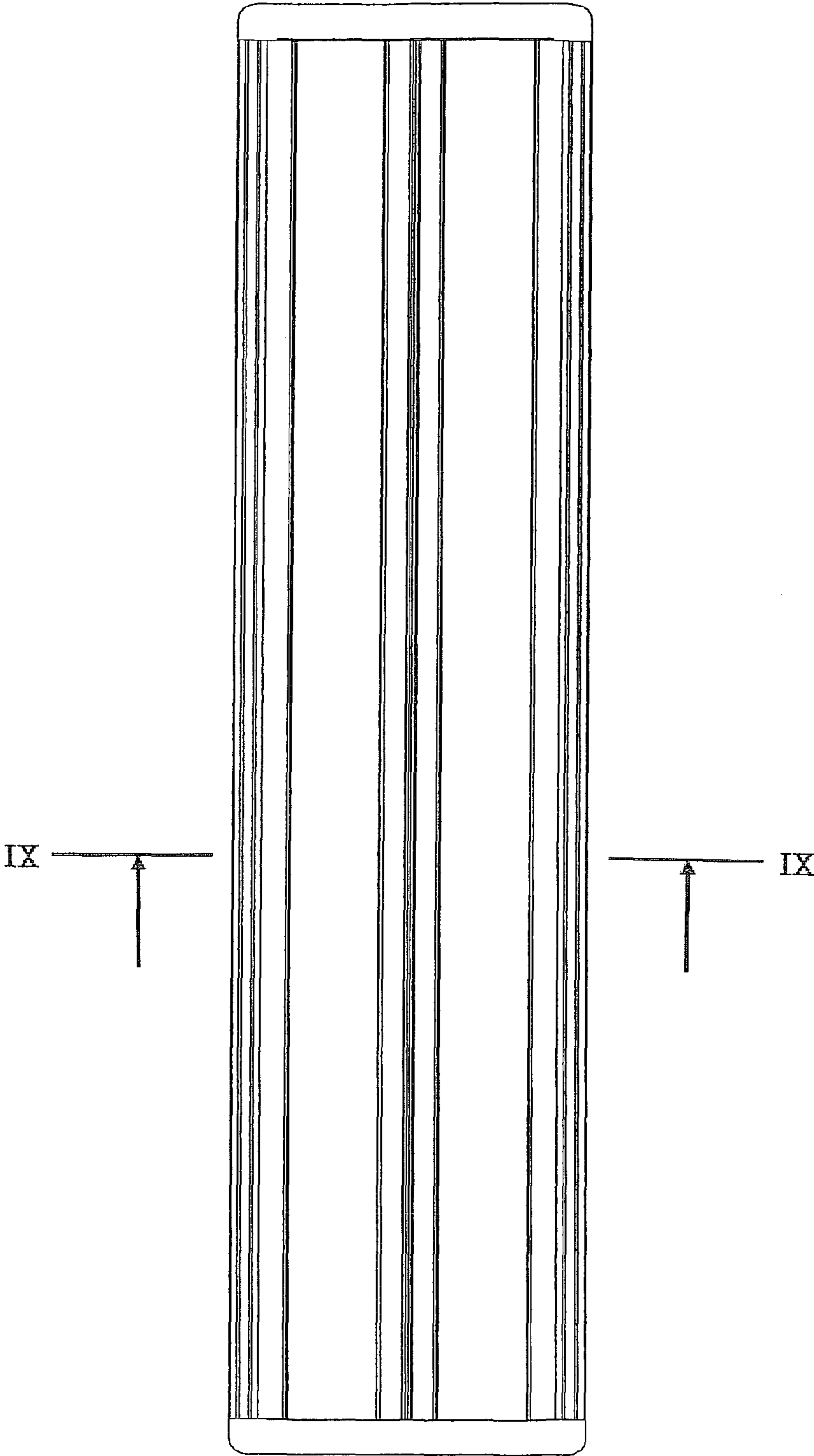


FIG. 7

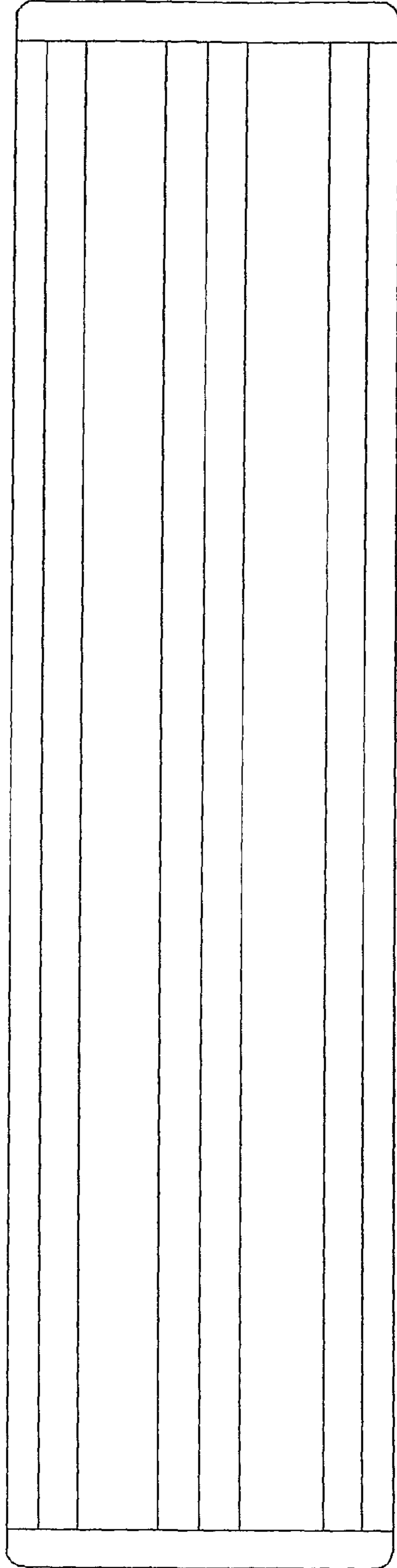


FIG. 8

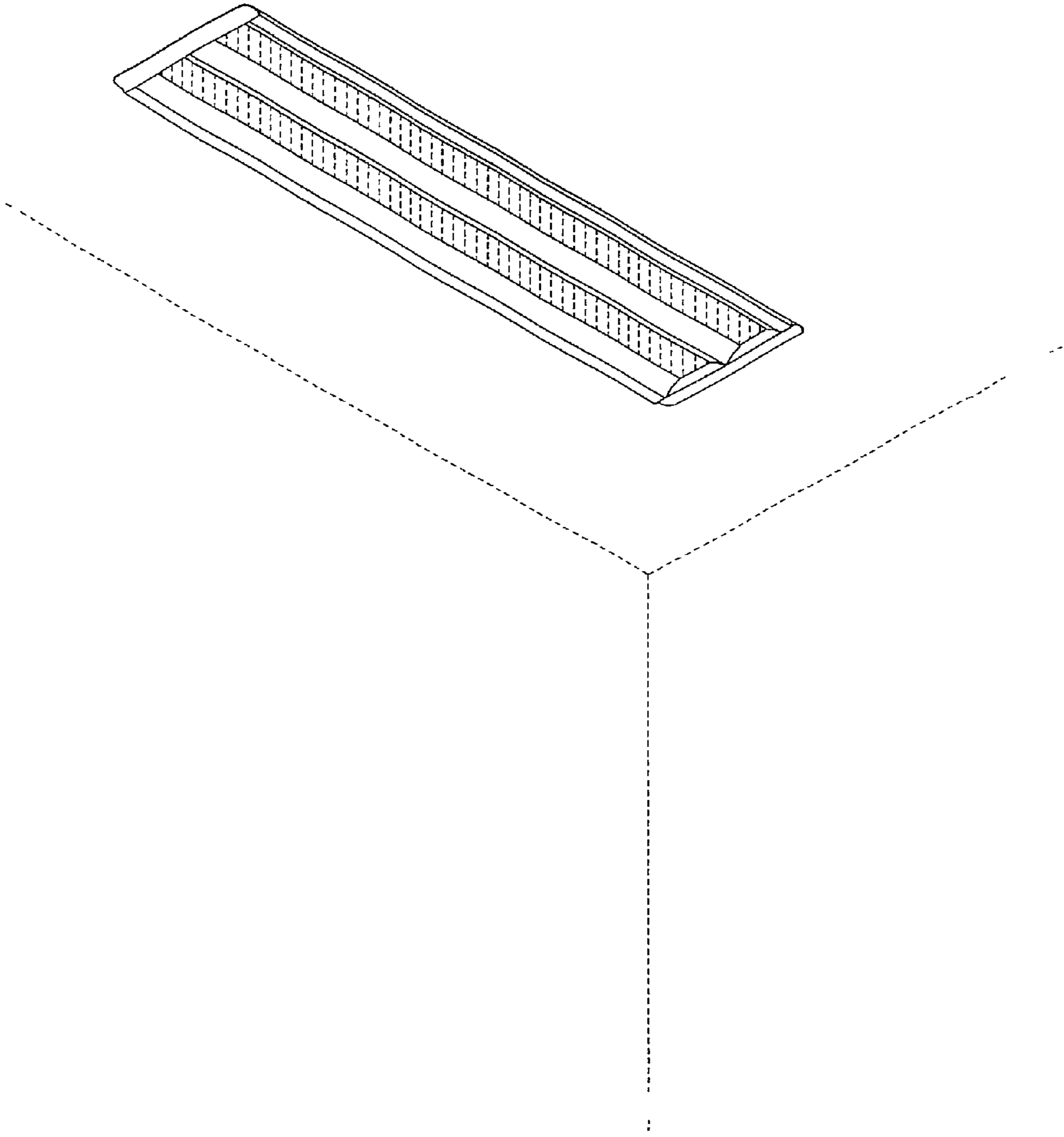


FIG. 9

