



US00D685117S

(12) **United States Design Patent**
Cogswell

(10) **Patent No.:** **US D685,117 S**

(45) **Date of Patent:** **** Jun. 25, 2013**

(54) **HEADLIGHT FOR AUTOMOBILE**
(75) Inventor: **Marc Cogswell**, San Diego, CA (US)
(73) Assignee: **Nissan Jidosha Kabushiki Kaisha**,
Kanagawa (JP)

D556,349 S * 11/2007 Golden et al. D26/28
D561,358 S * 2/2008 Tachibana D26/28
D570,007 S * 5/2008 Hsu D26/28
D582,587 S * 12/2008 Yang D26/28
D593,232 S * 5/2009 Koman et al. D26/28
D619,278 S * 7/2010 Choi et al. D26/28
D635,694 S * 4/2011 Yang et al. D26/28

(**) Term: **14 Years**

* cited by examiner

(21) Appl. No.: **29/414,284**

Primary Examiner — Marcus Jackson

(22) Filed: **Feb. 27, 2012**

(74) *Attorney, Agent, or Firm* — Fross Zelnick Lehrman &
Zissu, P.C.; Charles T. J. Weigell, Esq.

(30) **Foreign Application Priority Data**

(57) **CLAIM**

Dec. 21, 2011 (JP) 2011-029576

The ornamental design for a headlight for an automobile, as
shown and described.

(51) **LOC (9) Cl.** **26-06**

DESCRIPTION

(52) **U.S. Cl.**
USPC **D26/28**

(58) **Field of Classification Search**
USPC D26/28-36; 362/459-468, 475-478,
362/485-487

FIG. 1 is a perspective view of a headlight for an automobile
showing my new design;
FIG. 2 is a front view thereof;
FIG. 3 is a right side view thereof; and,
FIG. 4 is a top view thereof.

See application file for complete search history.

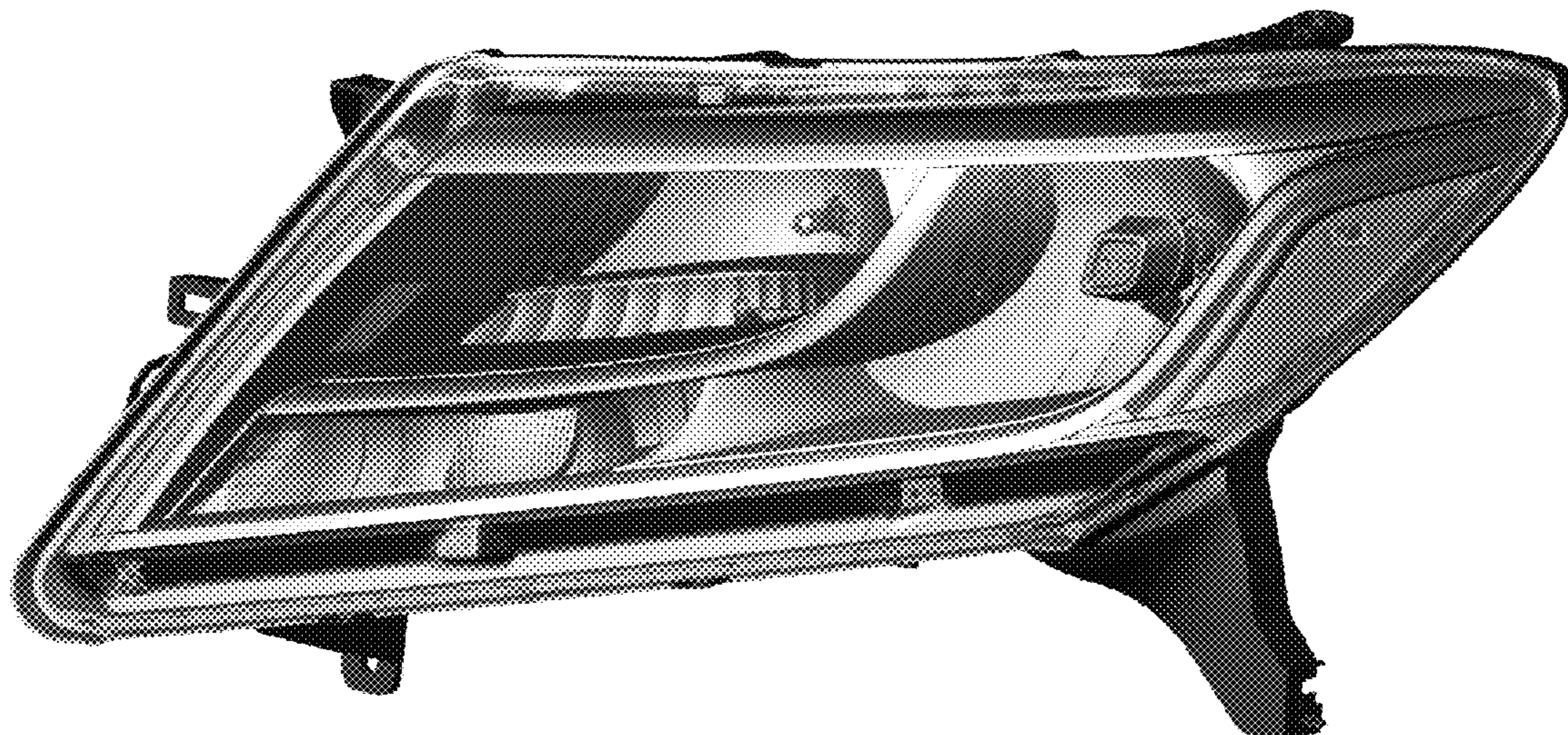
The peripheral and protruding features illustrated in very dark
shading are not in view during the ordinary use and operation
of the article and therefore are not part of the design claimed.
Rear view, Bottom view and Left side view form no part of the
claimed portion of the design.

(56) **References Cited**

U.S. PATENT DOCUMENTS

D538,956 S * 3/2007 Ishii D26/28
D544,614 S * 6/2007 Markefka D26/28
D549,855 S * 8/2007 Moisy et al. D26/28

1 Claim, 2 Drawing Sheets



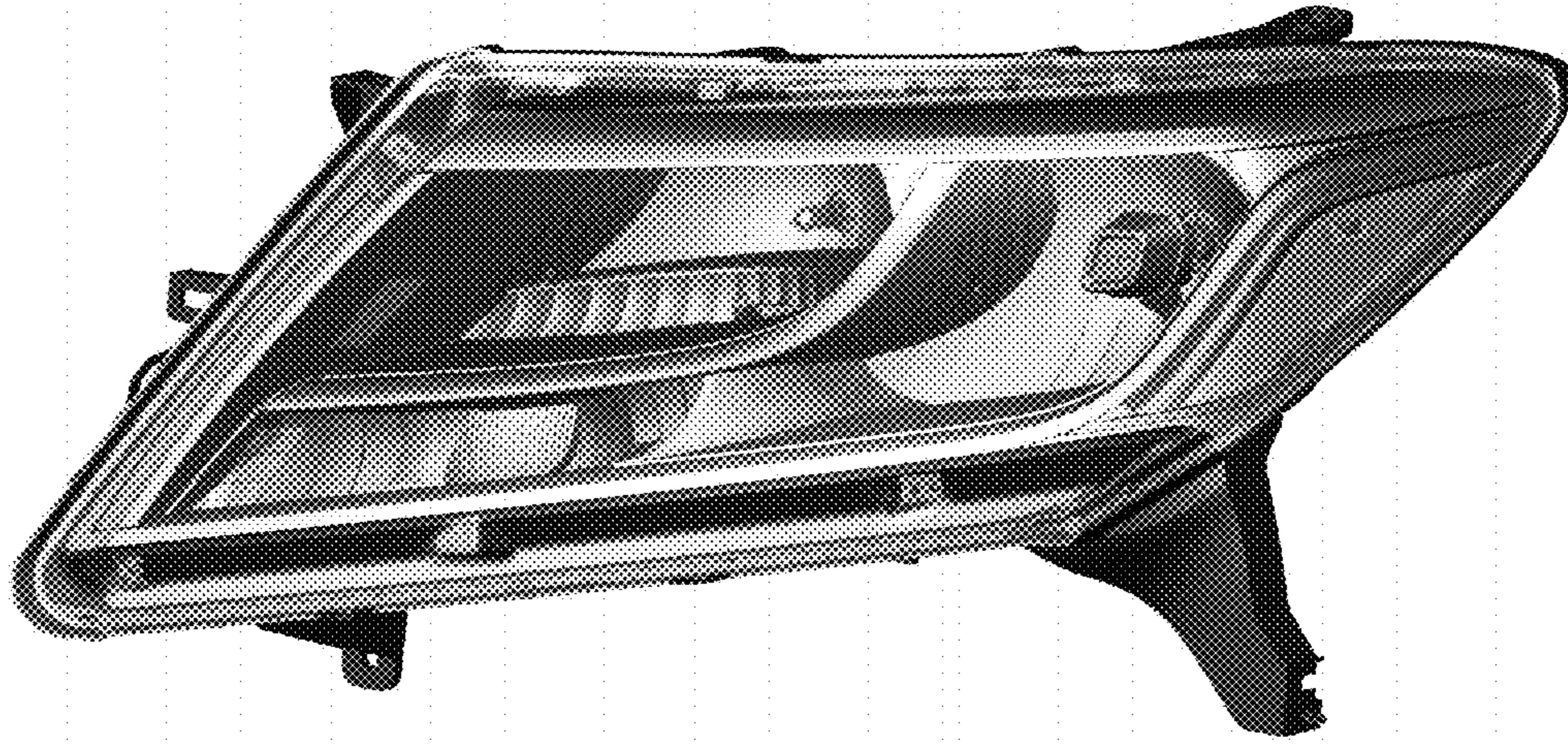


FIG. 1

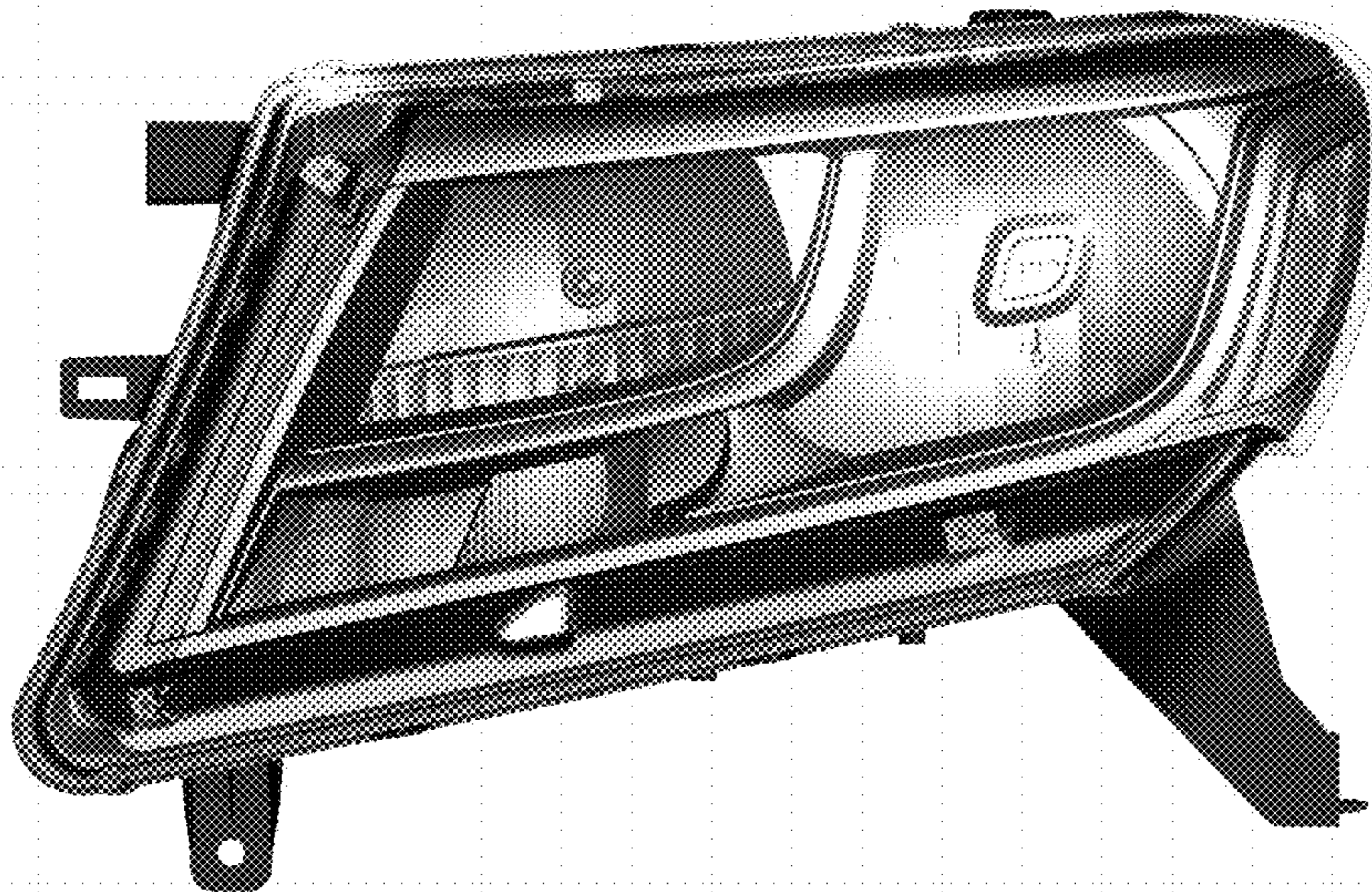


FIG. 2

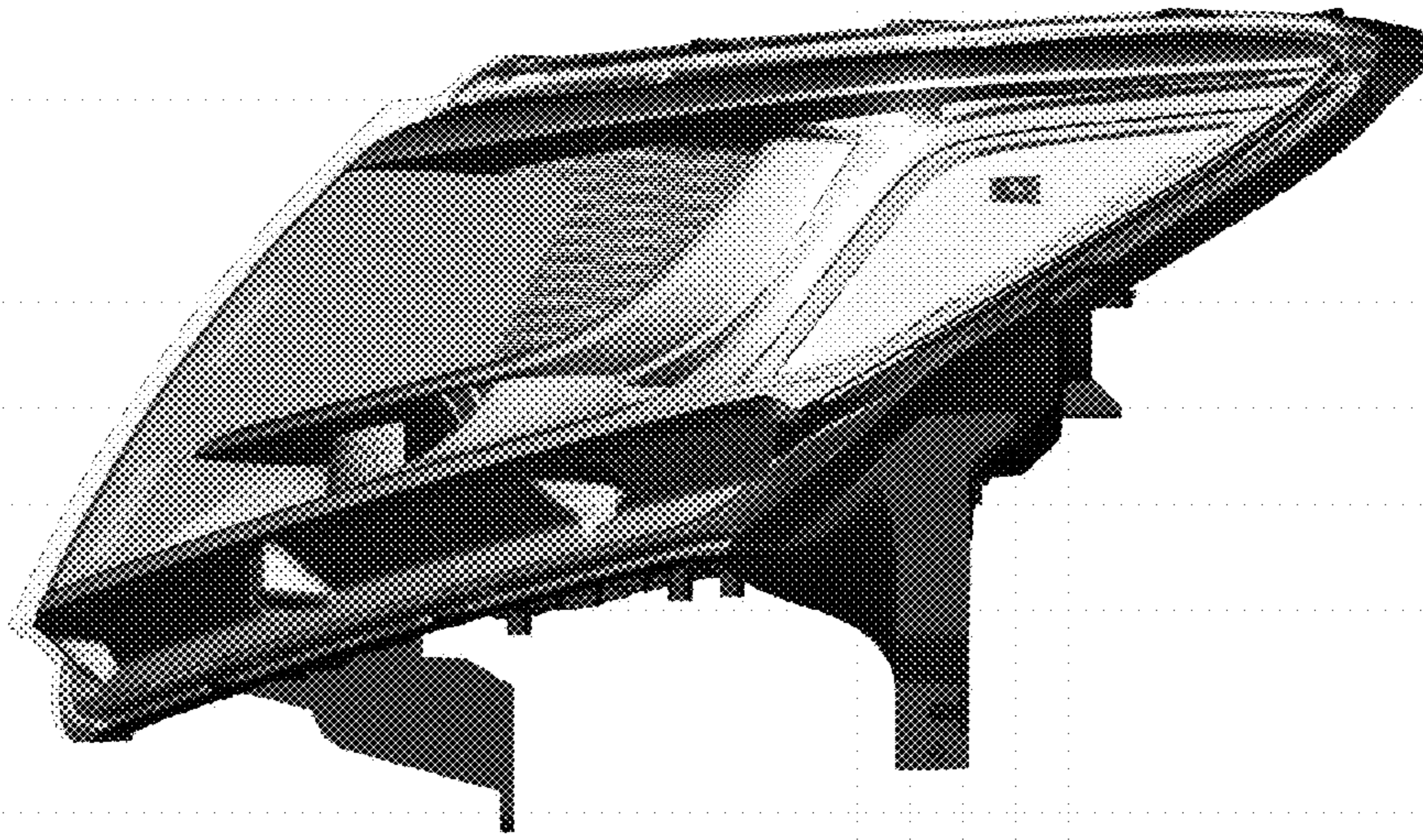


FIG. 3

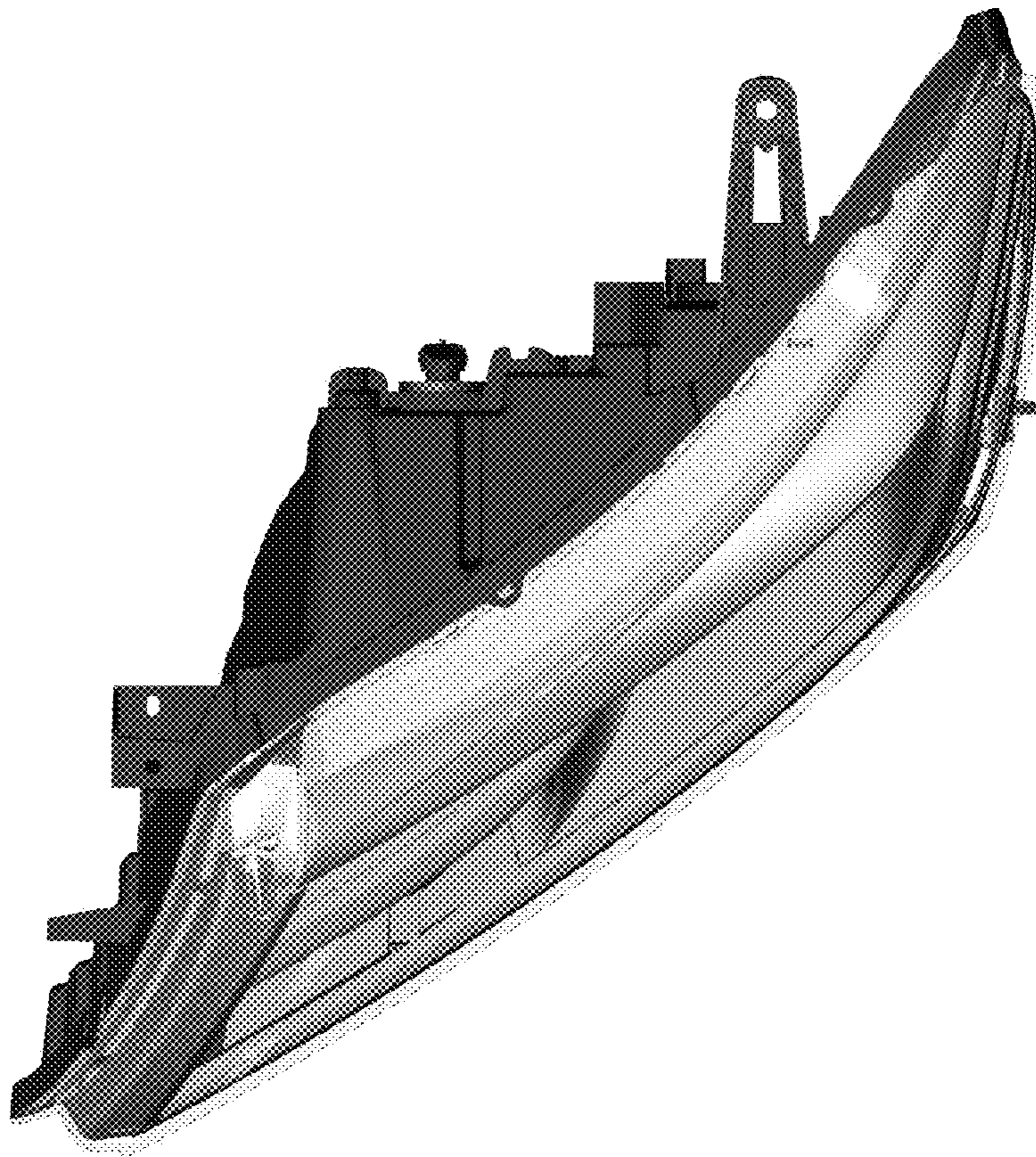


FIG. 4