



US00D685116S

(12) **United States Design Patent**
Kido et al.

(10) **Patent No.:** **US D685,116 S**
(45) **Date of Patent:** **** Jun. 25, 2013**

- (54) **COMBINATION LAMP FOR AN AUTOMOBILE**
- (75) Inventors: **Kenji Kido**, Okazaki (JP); **Takanori Ito**, Miyoshi (JP)
- (73) Assignees: **Toyota Jidosha Kabushiki (JP)**; **Fuji Jukogyo Kabushiki Kaisha (JP)**
- (**) Term: **14 Years**
- (21) Appl. No.: **29/400,075**
- (22) Filed: **Aug. 23, 2011**
- (51) **LOC (9) Cl.** **26-06**
- (52) **U.S. Cl.**
USPC **D26/28**
- (58) **Field of Classification Search**
USPC D26/28-36; 362/459-468, 475-478,
362/485-487
See application file for complete search history.

- (56) **References Cited**
U.S. PATENT DOCUMENTS
D538,956 S * 3/2007 Ishii D26/28
D544,614 S * 6/2007 Markefka D26/28
D556,349 S * 11/2007 Golden et al. D26/28
D561,358 S * 2/2008 Tachibana D26/28

OTHER PUBLICATIONS

Toyota, Toyota FT-86 Concept, Hachiroku "86" (Motor Magazine Mook), Kabushiki Kaisha Motor Magazine Sha, 4862792170, Feb. 23, 2010.
Audi AG, Audi R8 Spyder, Brochure of Audi R8 Spyder, Audi AG, available at least as early as Sep. 2009.
BMW, BMW 7 Series, Brochure of BMW 7 Series, BMW, available at least as early as Sep. 2009.

* cited by examiner

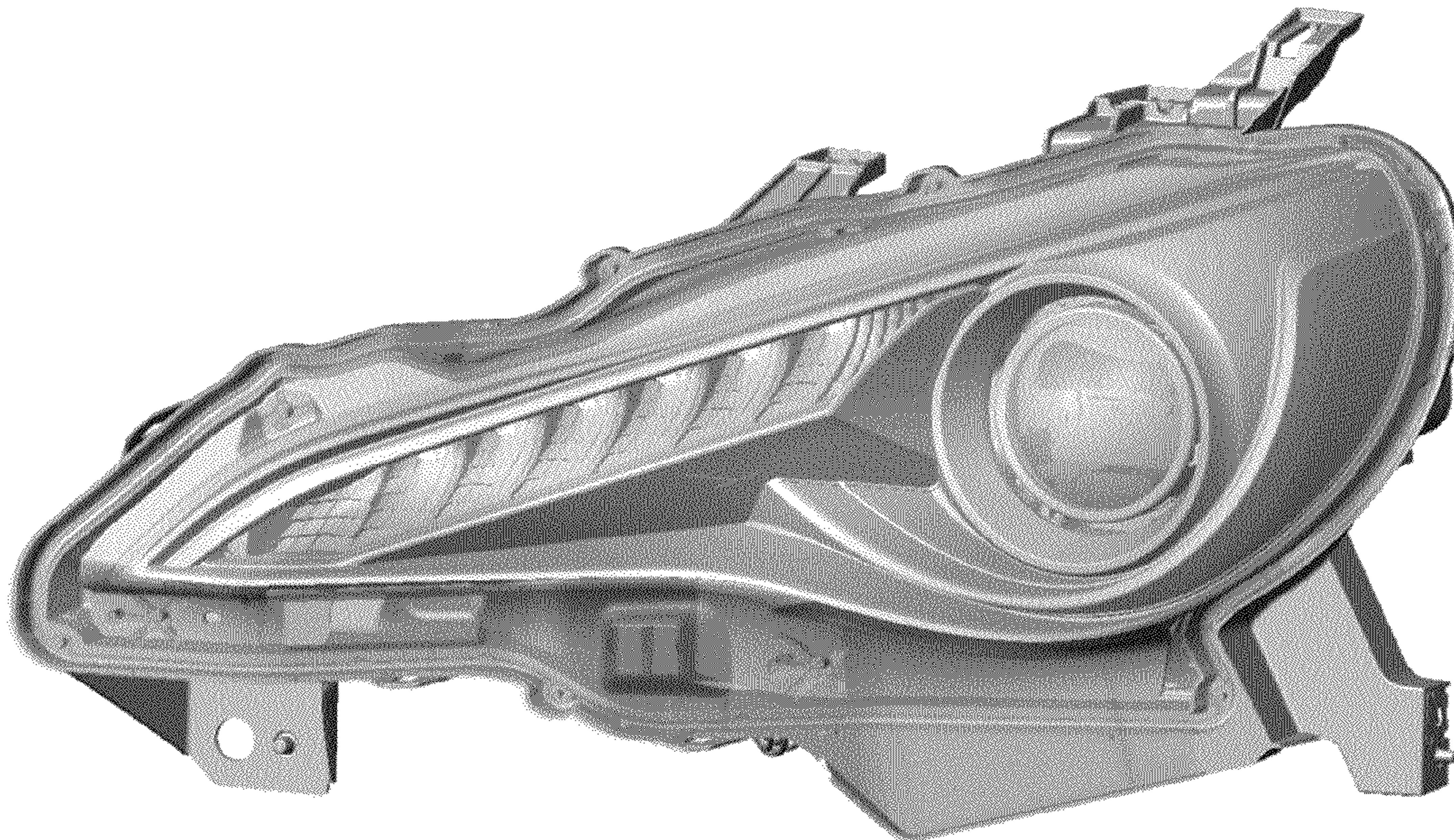
Primary Examiner — Marcus Jackson
(74) *Attorney, Agent, or Firm* — Saidman DesignLaw Group

(57) **CLAIM**
The ornamental design for a combination lamp for an automobile, as shown and described.

DESCRIPTION

FIG. 1 is a perspective view of a combination lamp for an automobile showing our new design;
FIG. 2 is a front view thereof;
FIG. 3 is a top view thereof;
FIG. 4 is a bottom view thereof; and,
FIG. 5 is a right side view thereof.

1 Claim, 3 Drawing Sheets



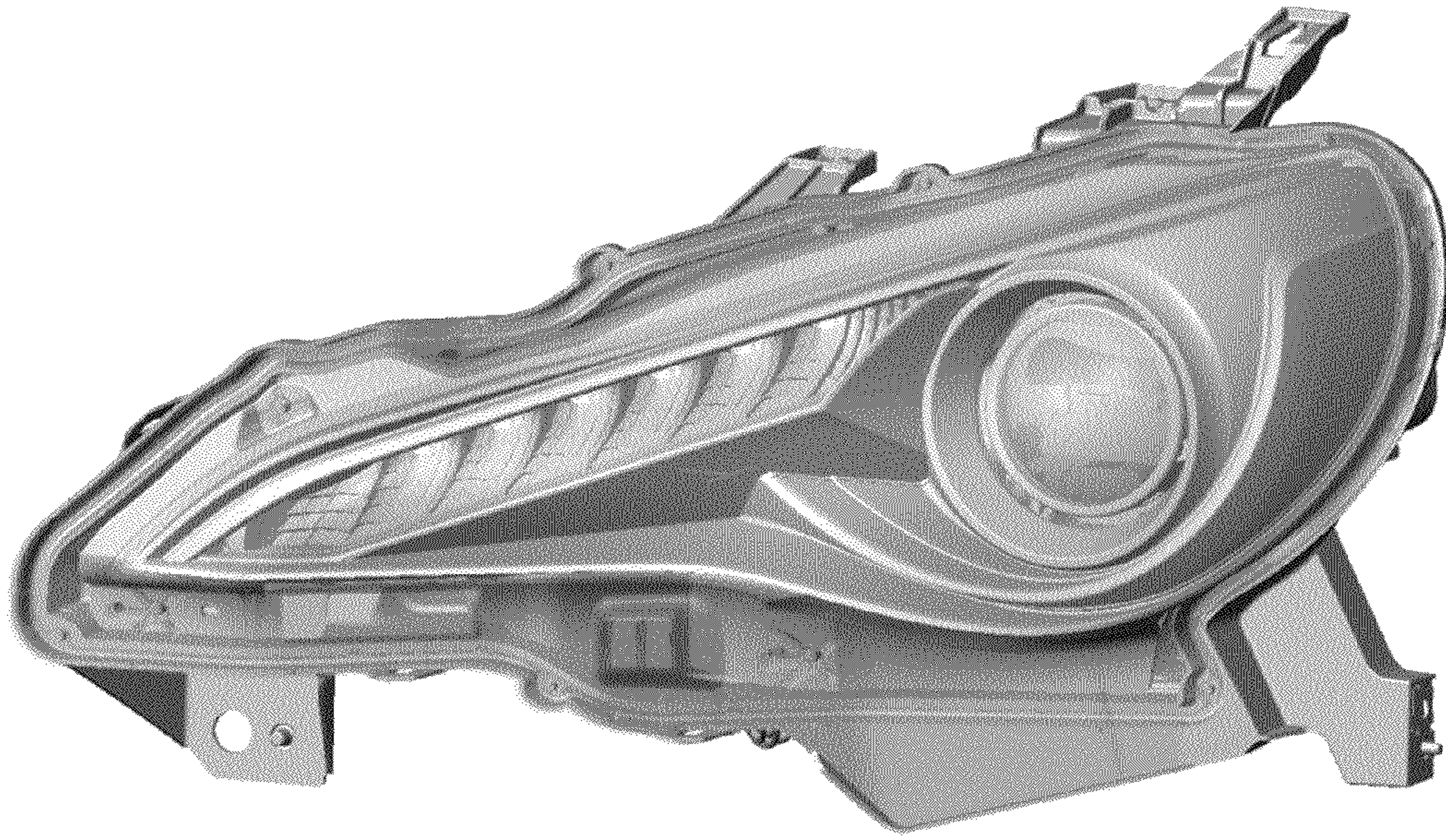


FIG. 1

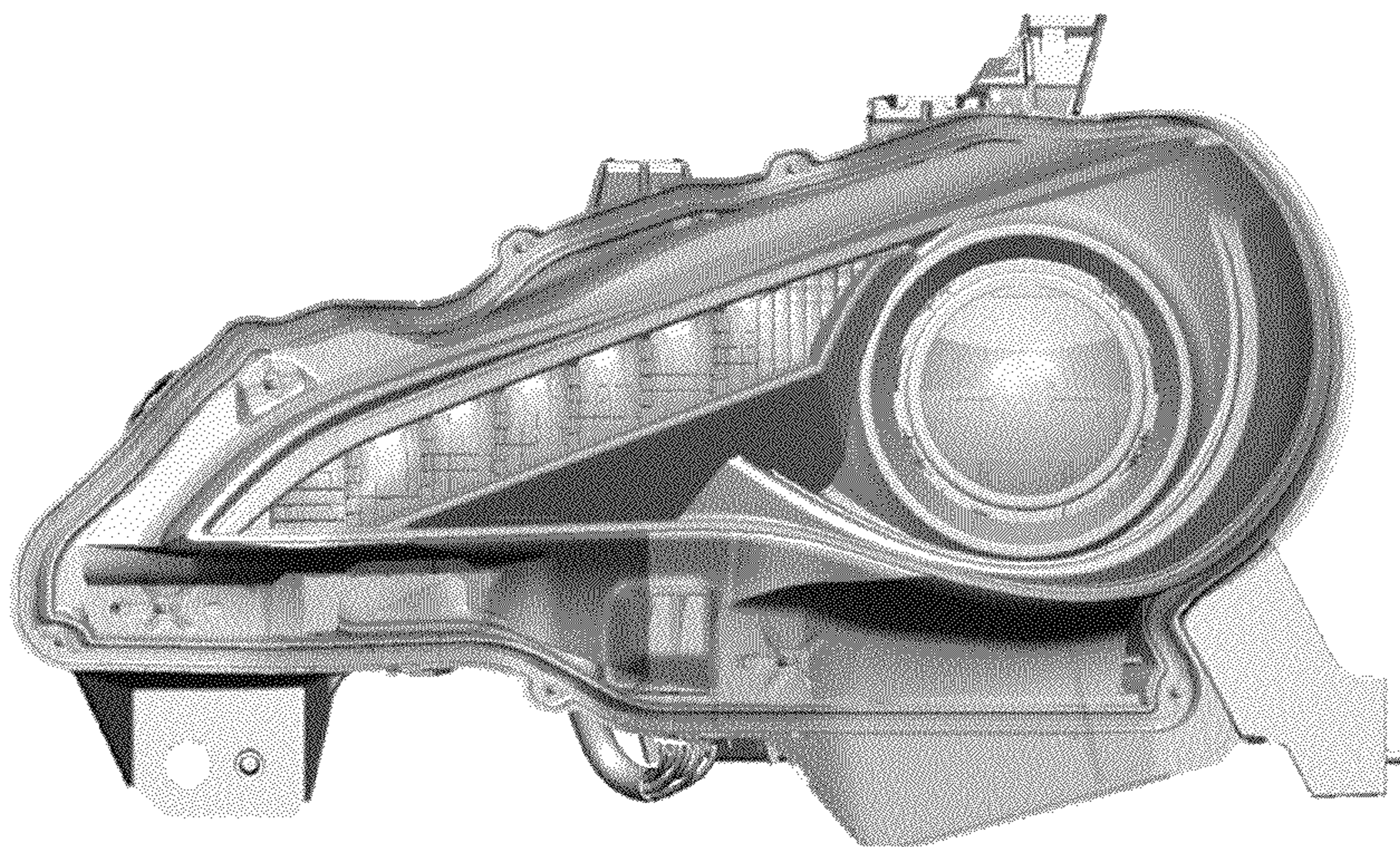


FIG. 2

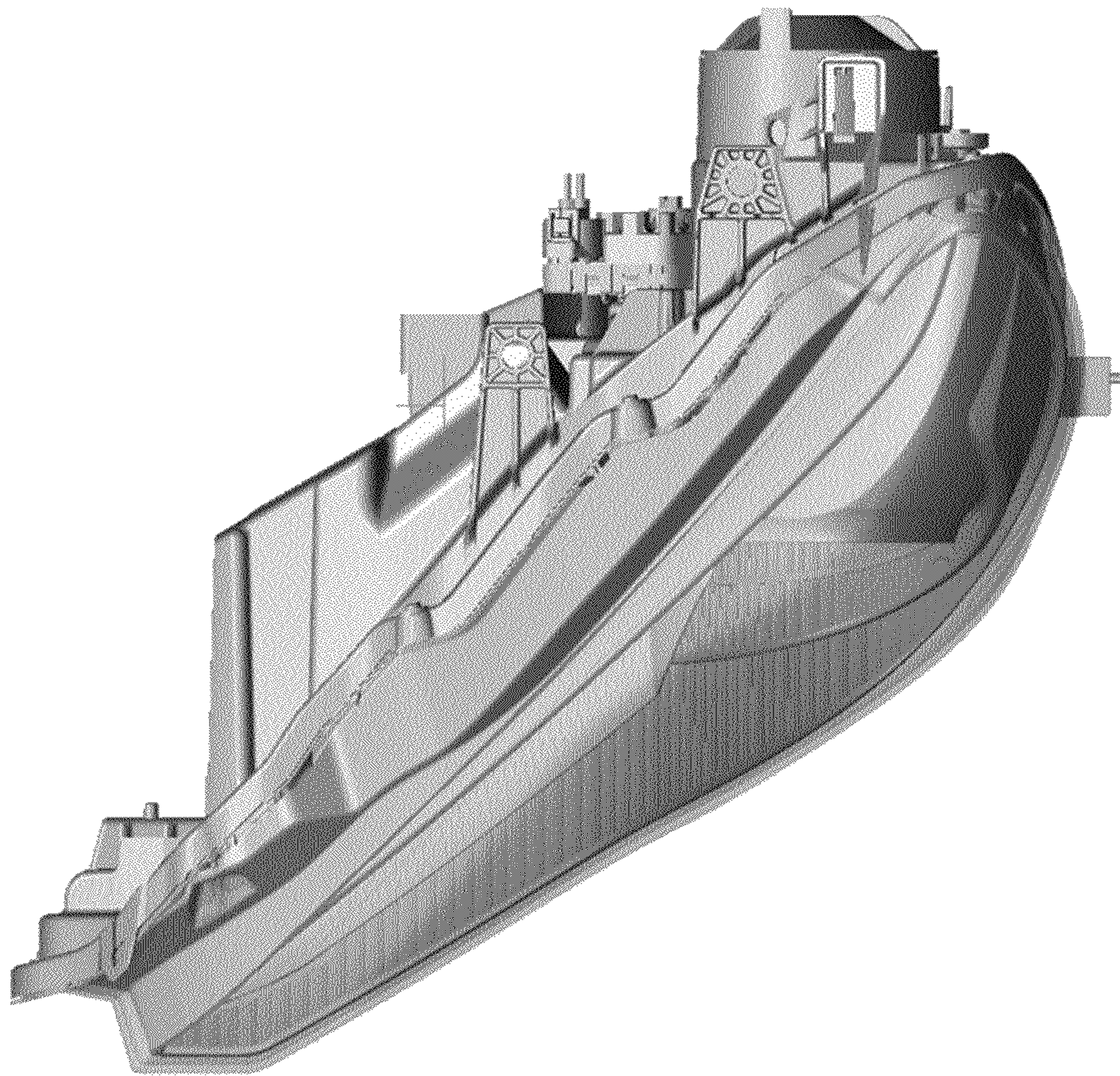


FIG. 3

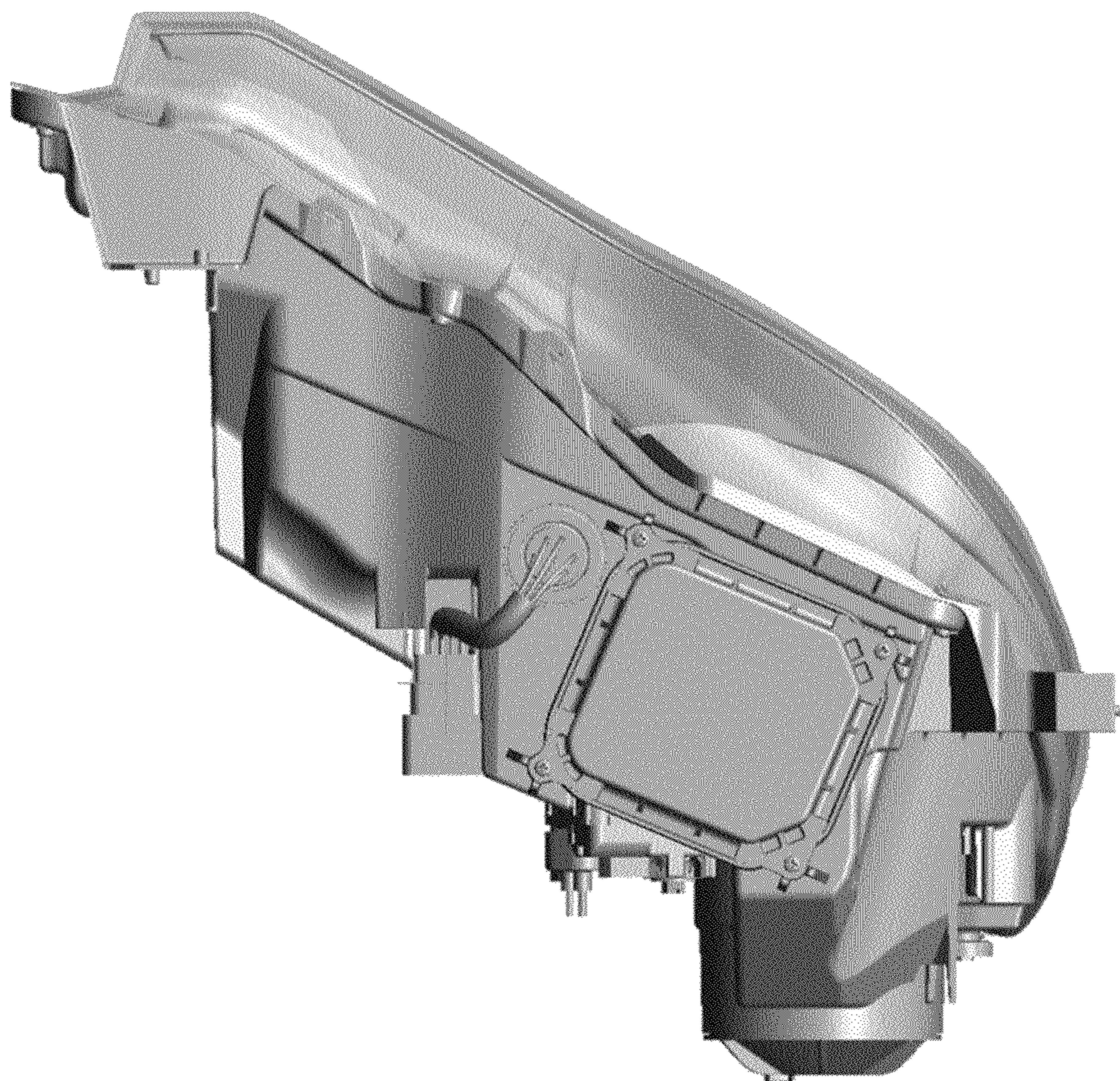


FIG. 4

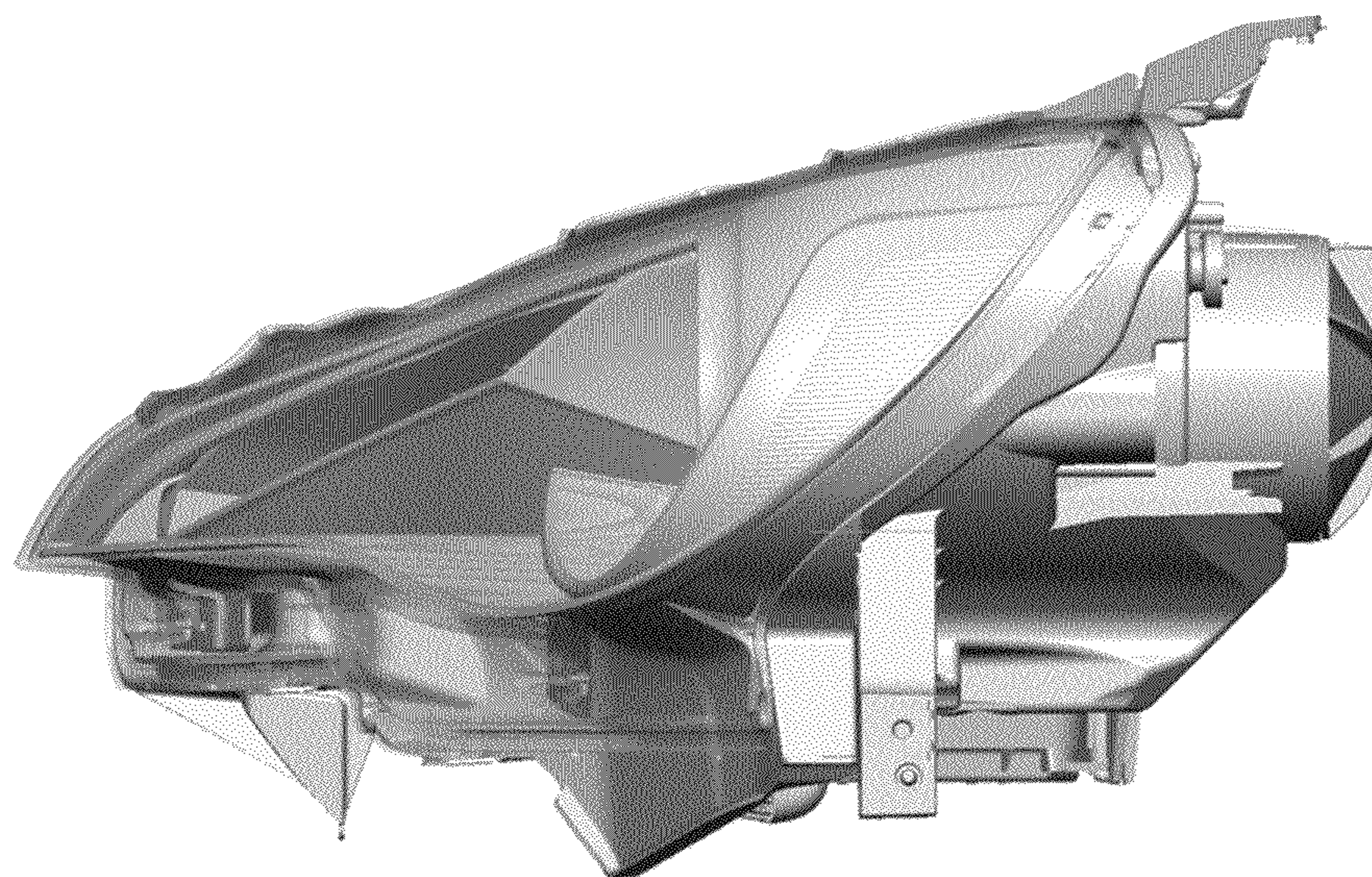


FIG. 5