



US00D685115S

(12) **United States Design Patent**  
**Hwu et al.**

(10) **Patent No.:** **US D685,115 S**  
(45) **Date of Patent:** **\*\* Jun. 25, 2013**

(54) **LED BULB**

(71) Applicant: **Gem Weltronics TWN Corporation,**  
Hsinchu (TW)  
(72) Inventors: **Jon-Fwu Hwu,** Hsinchu (TW); **Yung-Fu**  
**Wu,** Hsinchu (TW); **Kui-Chiang Liu,**  
Hsinchu (TW)

(73) Assignee: **Gem Weltronics TWN Corporation,**  
Hsinchu County (TW)

(\*\*) Term: **14 Years**

(21) Appl. No.: **29/433,097**

(22) Filed: **Sep. 26, 2012**

(51) **LOC (9) Cl.** ..... **26-04**

(52) **U.S. Cl.**  
USPC ..... **D26/2**

(58) **Field of Classification Search**  
USPC ..... D26/1-4; 313/313, 315, 316, 317,  
313/318, 493; 315/52, 53, 56, 57, 58  
See application file for complete search history.

(56) **References Cited**

U.S. PATENT DOCUMENTS

D508,575	S	*	8/2005	Buschmann et al.	.....	D26/2
D528,227	S	*	9/2006	Chou et al.	.....	D26/2
D531,741	S	*	11/2006	Takahashi	.....	D26/2
D534,665	S	*	1/2007	Egawa et al.	.....	D26/2
D538,953	S	*	3/2007	Mama	.....	D26/2
D615,220	S	*	5/2010	Crane et al.	.....	D26/2
D651,327	S	*	12/2011	Hsiao et al.	.....	D26/2
D663,869	S	*	7/2012	Choi et al.	.....	D26/2

\* cited by examiner

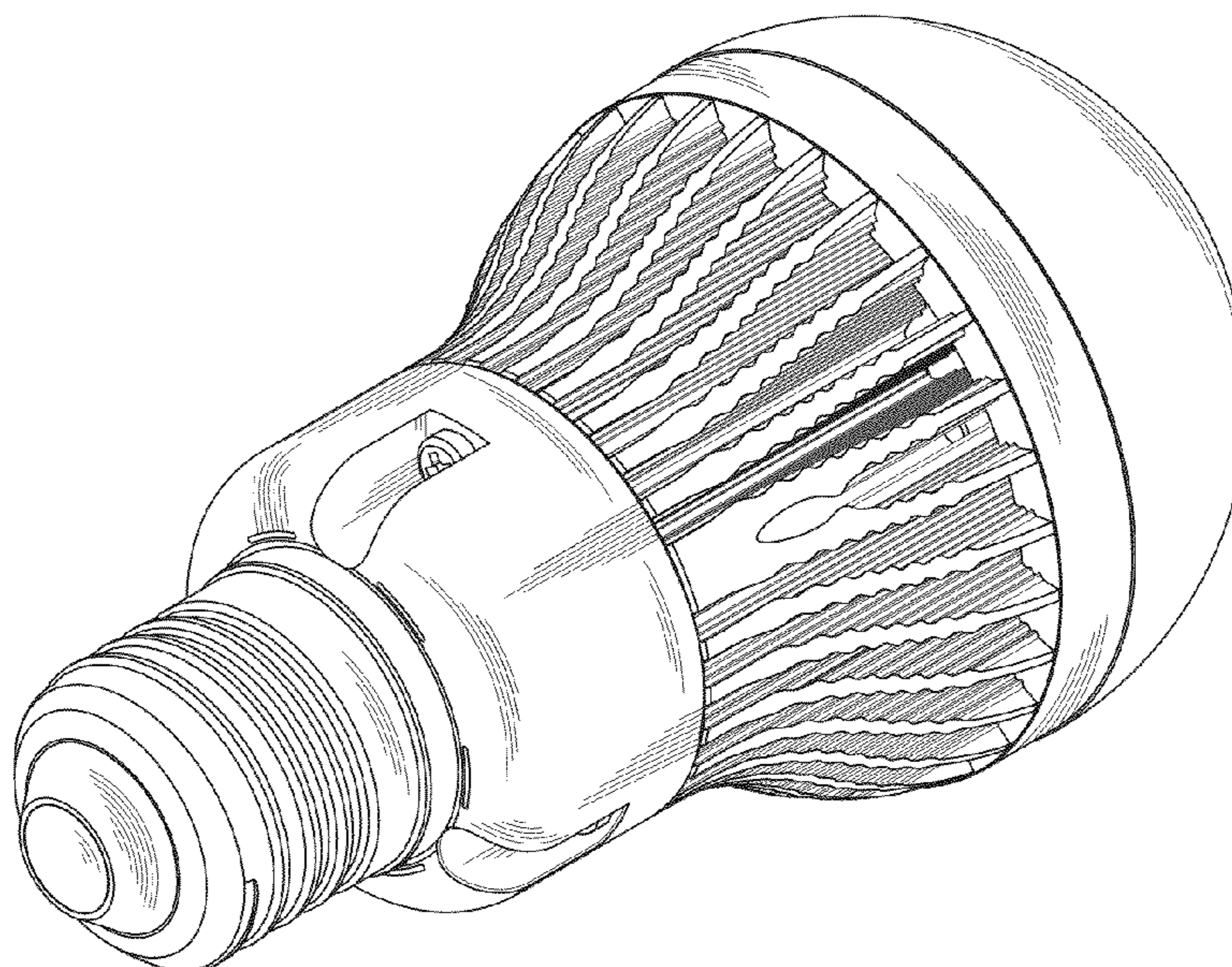
*Primary Examiner* — Marcus Jackson

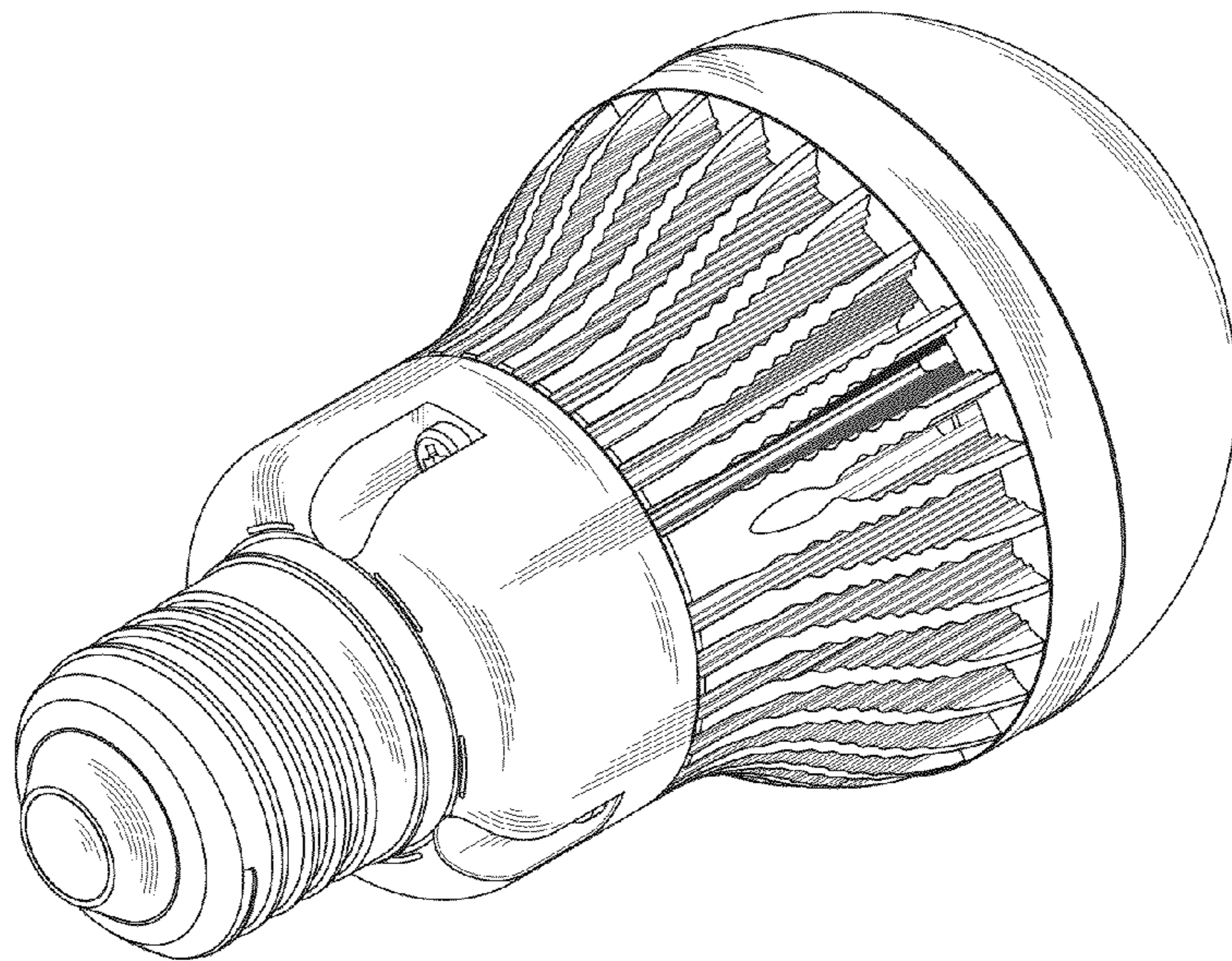
(57) **CLAIM**  
The ornamental design for LED bulb, as shown and described.

**DESCRIPTION**

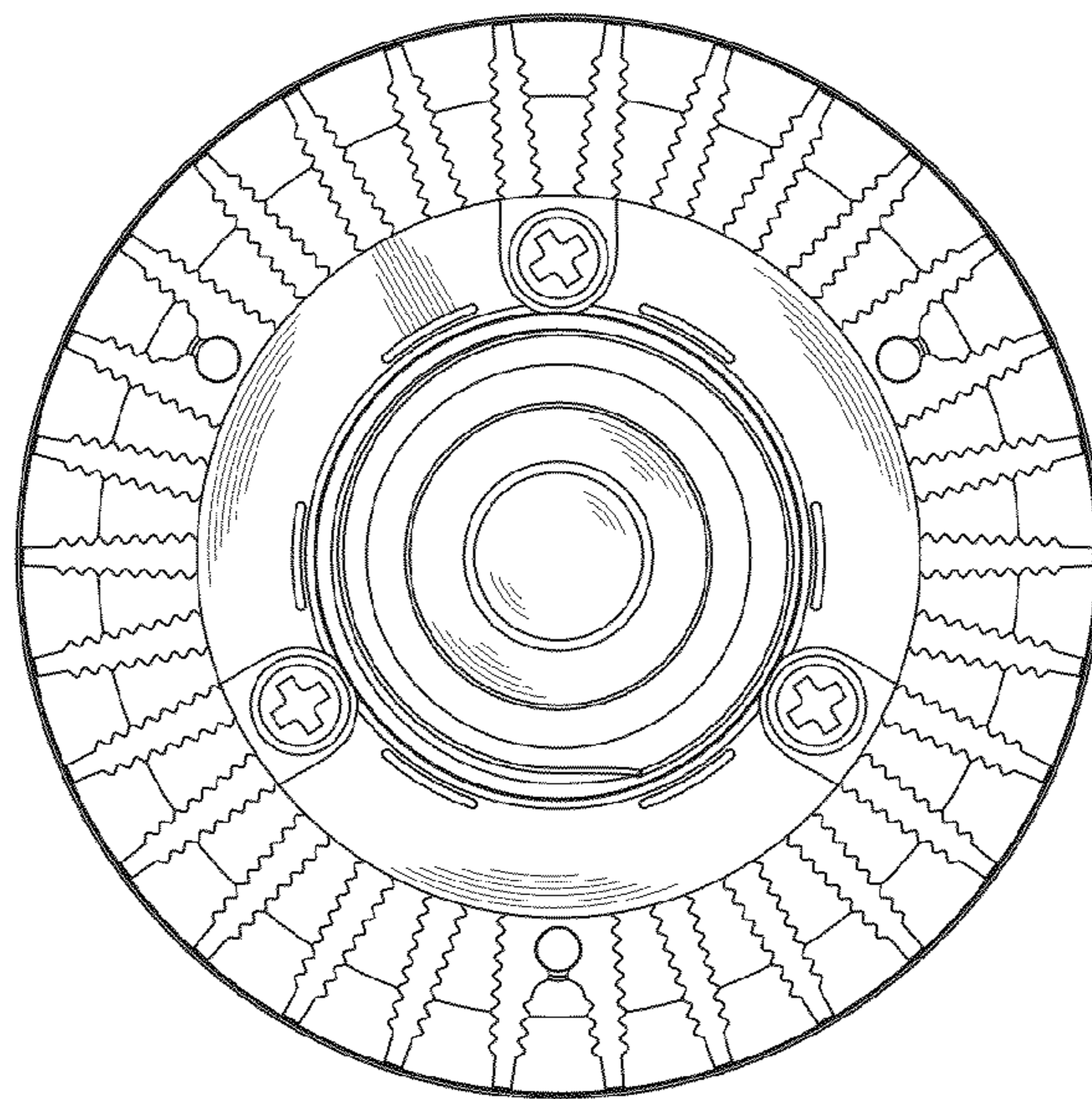
FIG. 1 is a perspective view of LED bulb showing my new design;  
FIG. 2 is a front elevational view thereof;  
FIG. 3 is a rear elevational view thereof;  
FIG. 4 is a left side elevational view thereof;  
FIG. 5 is right side elevational view thereof;  
FIG. 6 is a top view thereof; and,  
FIG. 7 is a bottom view thereof.

**1 Claim, 7 Drawing Sheets**

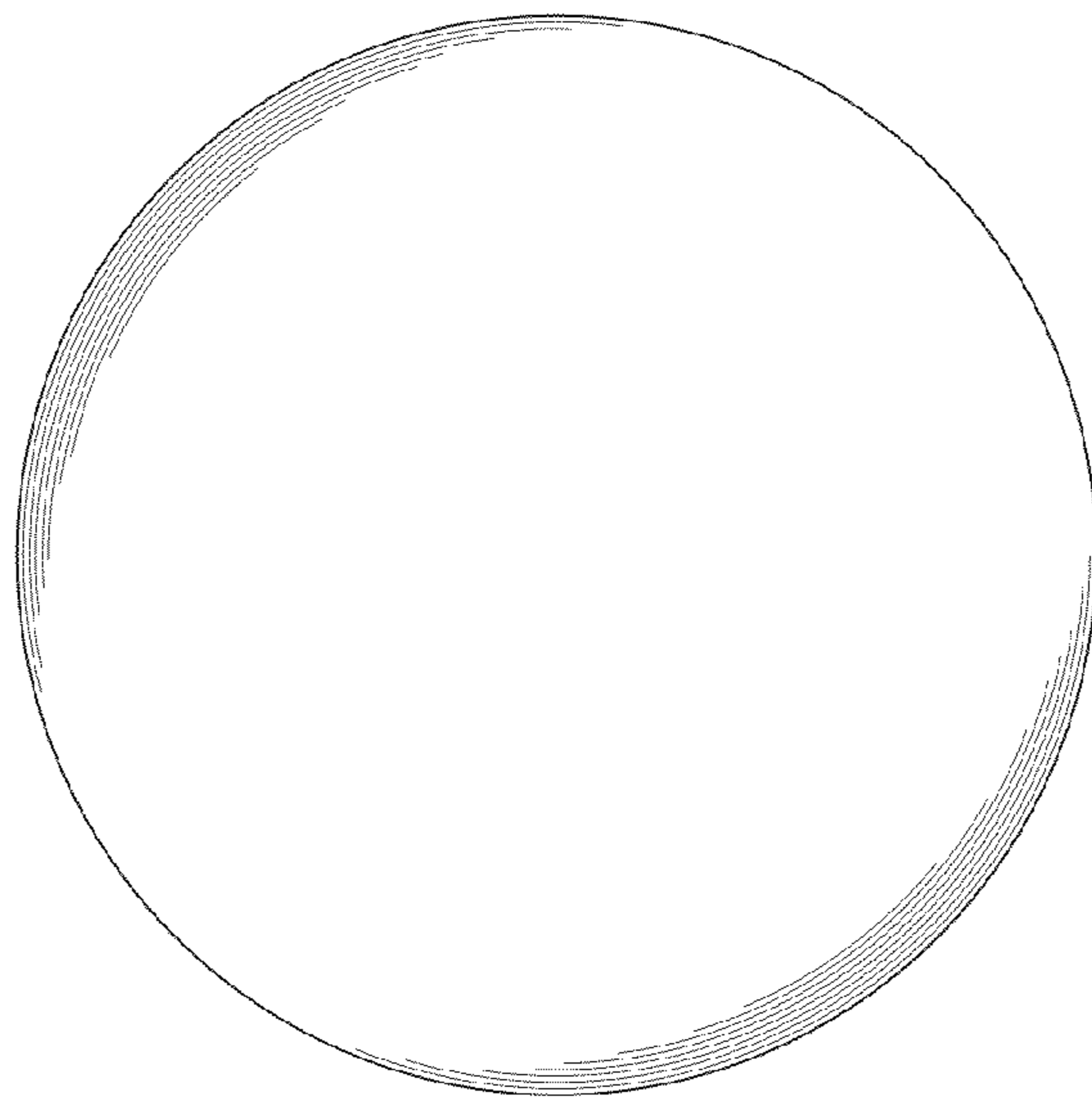




**FIG. 1**



**FIG. 2**



**FIG. 3**

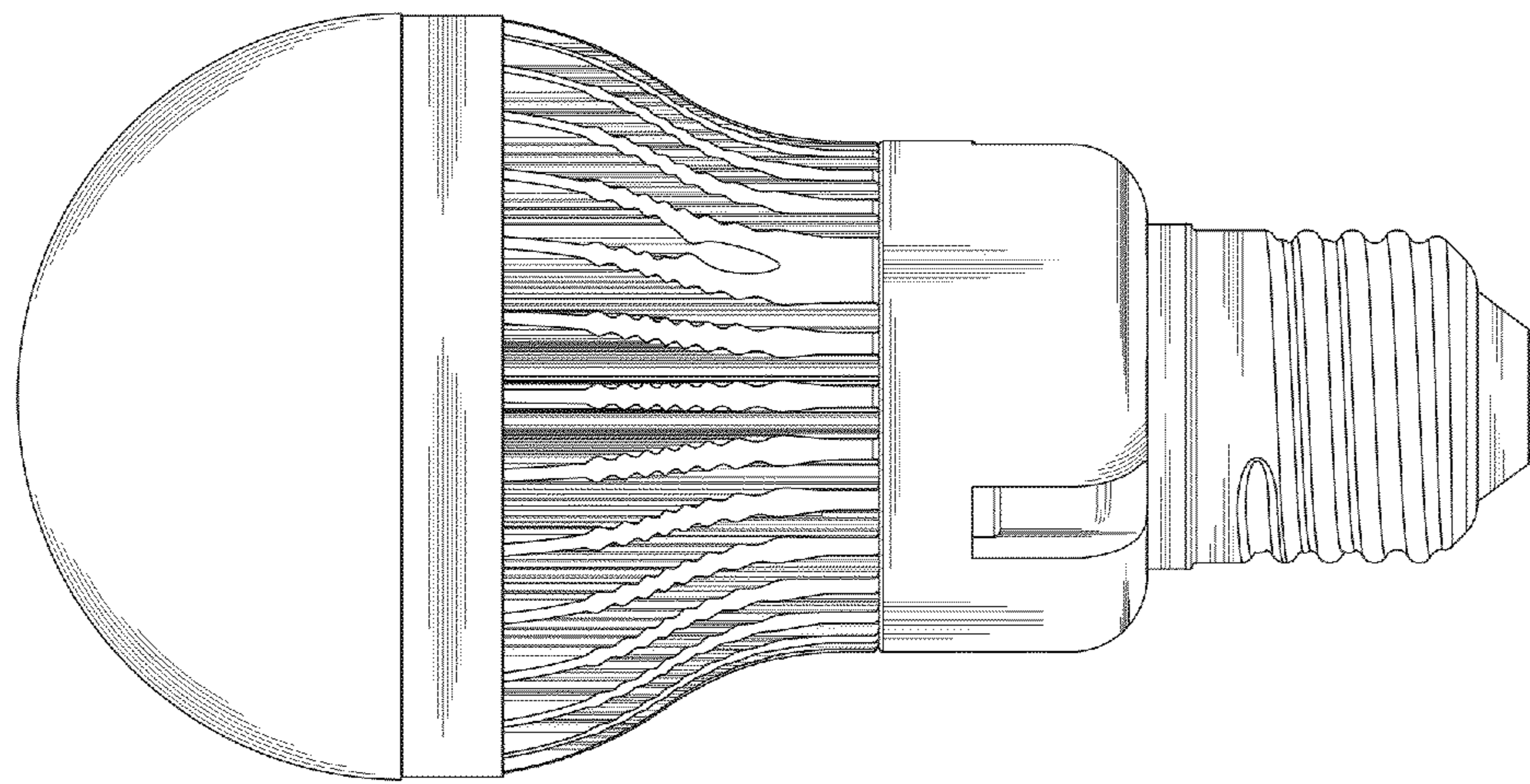


FIG. 4

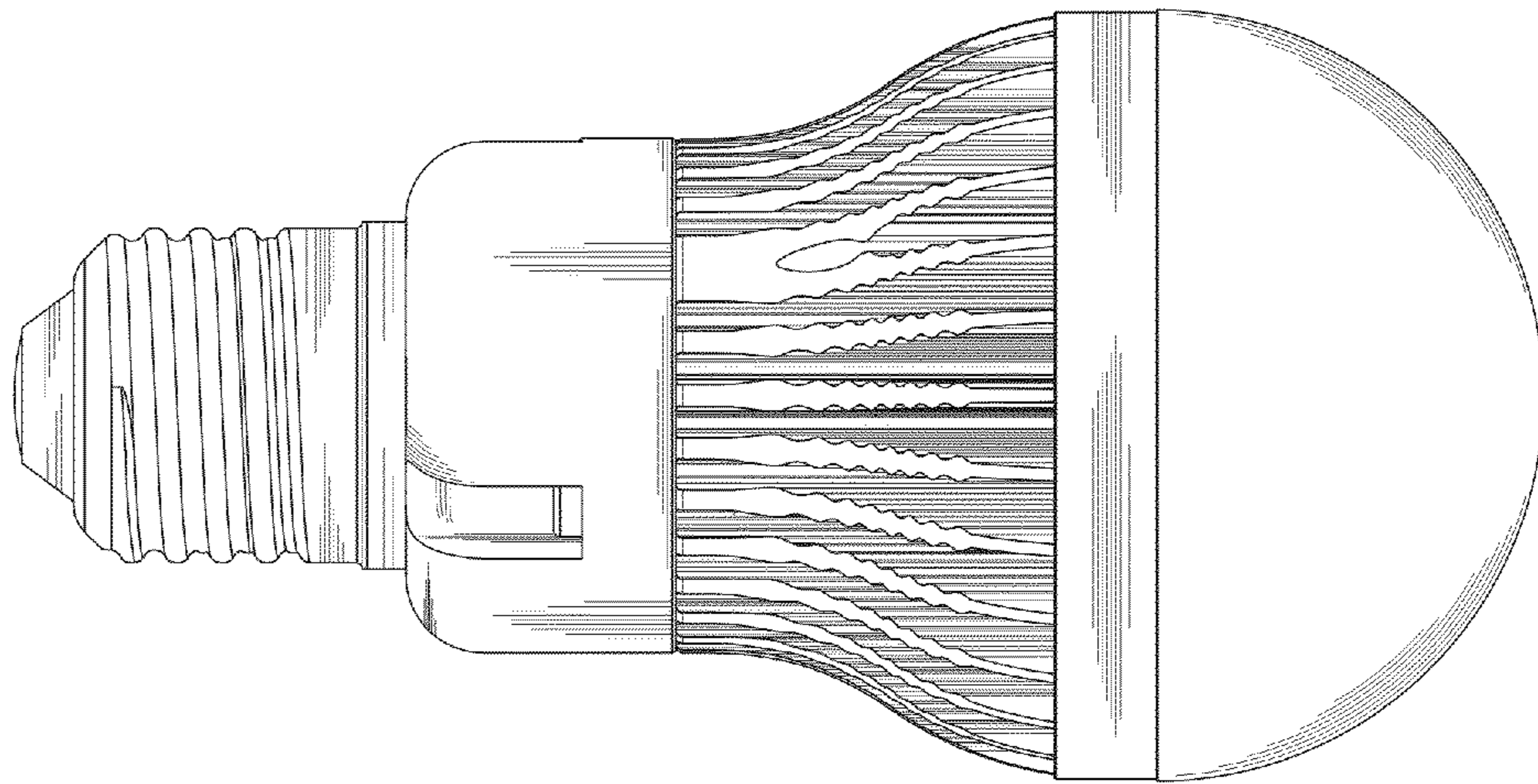


FIG. 5

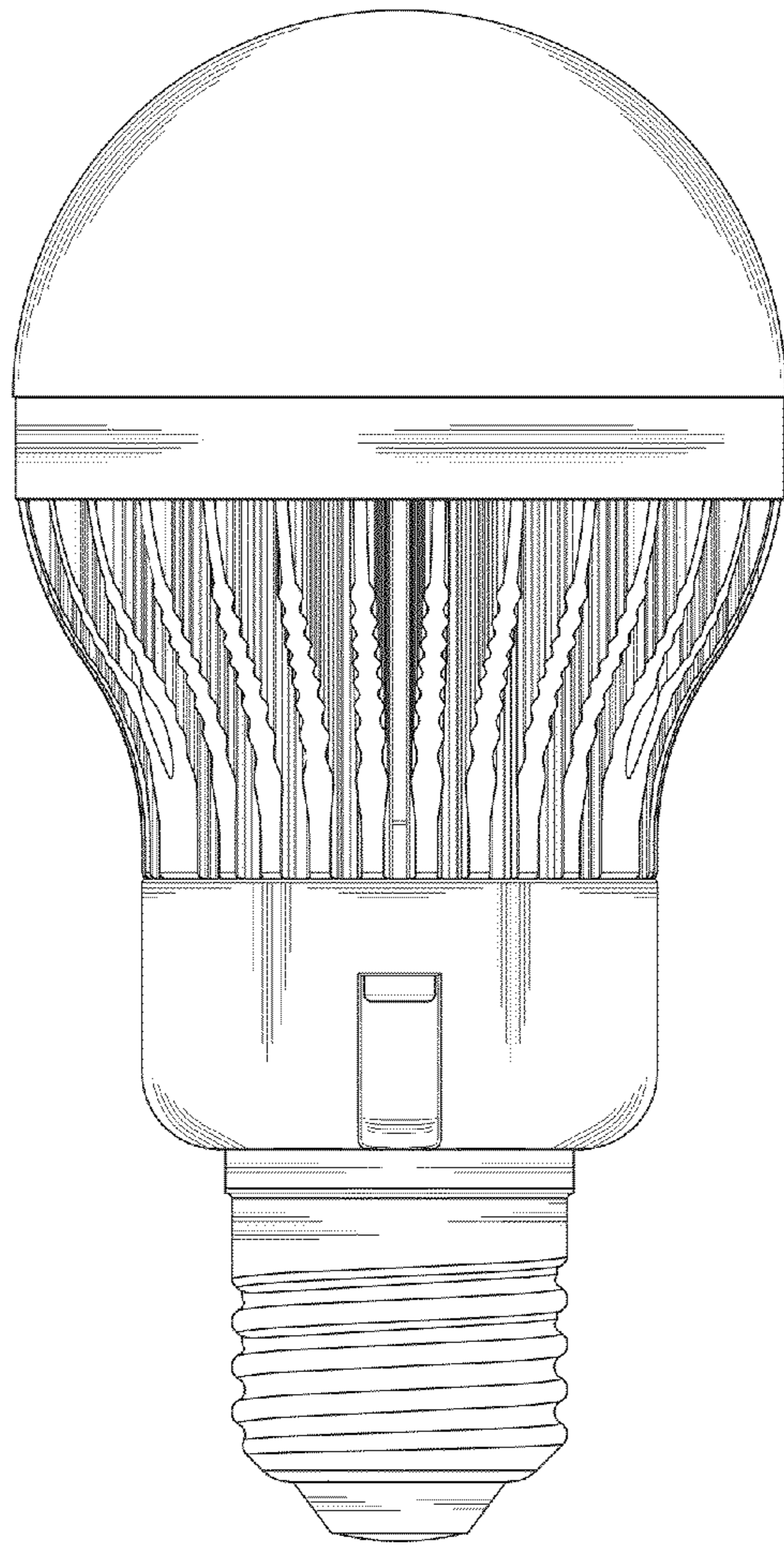
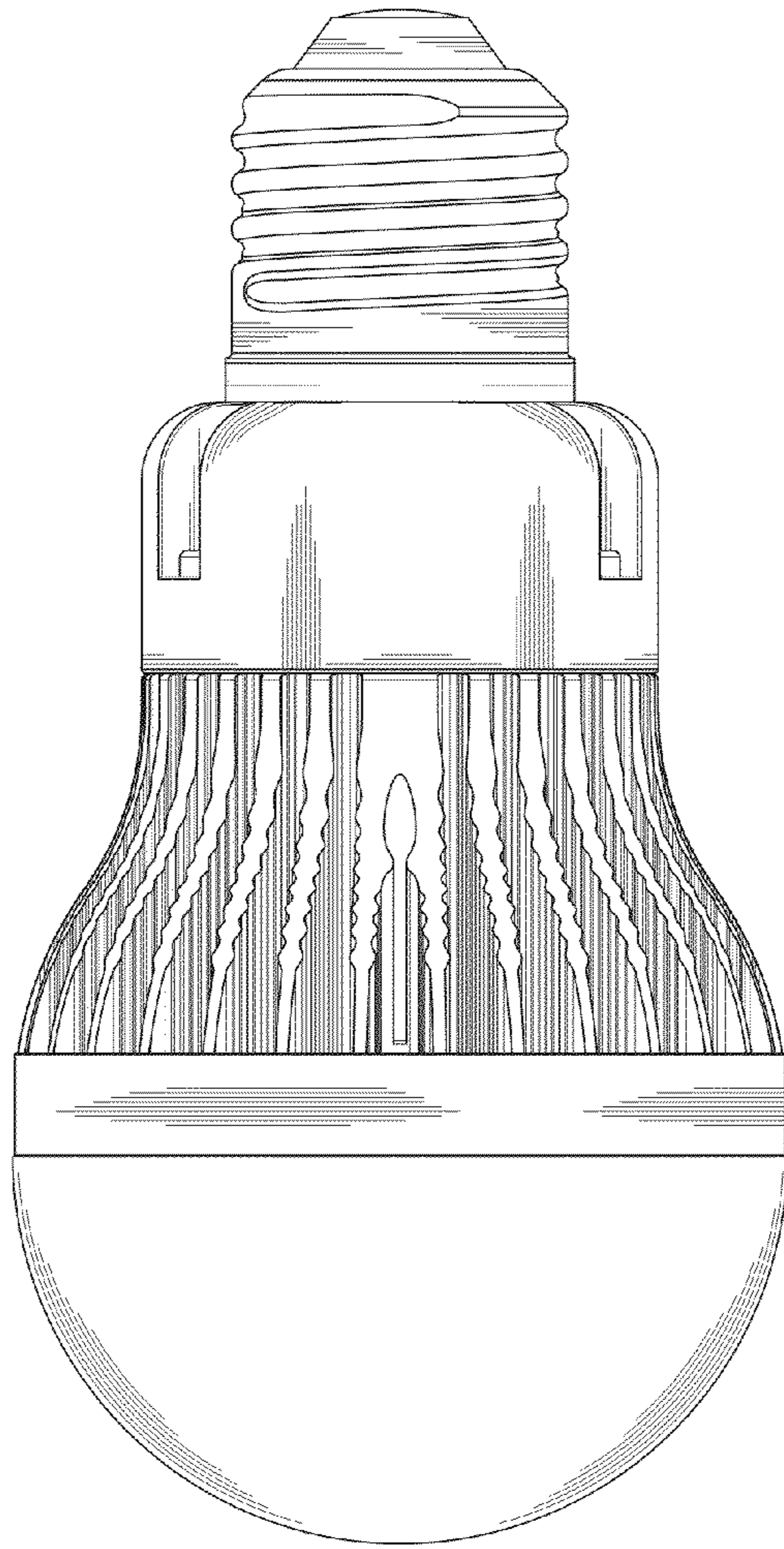


FIG. 6



**FIG. 7**