



US00D685112S

(12) **United States Design Patent**  
**Henriquez**

(10) **Patent No.:** **US D685,112 S**  
(45) **Date of Patent:** **\*\* Jun. 25, 2013**

- (54) **INSULATED ROOF PANEL WITH BARREL ROOF TILE STYLE SKIN LAYER**
- (76) Inventor: **Jose L Henriquez**, Miami, FL (US)
- (\*\*) Term: **14 Years**
- (21) Appl. No.: **29/420,691**
- (22) Filed: **May 11, 2012**
- (51) **LOC (9) Cl.** ..... **25-01**
- (52) **U.S. Cl.**  
USPC ..... **D25/143**
- (58) **Field of Classification Search**  
USPC ..... D25/143; 52/506.01, 518, 549, 554,  
52/555, 557, 302.1, 506.04  
See application file for complete search history.

2004/0103611 A1\* 6/2004 King et al. .... 52/554  
\* cited by examiner

*Primary Examiner* — Doris Clark  
(74) *Attorney, Agent, or Firm* — CUSPA Technology Law Associates; Yi Li

(57) **CLAIM**  
The ornamental design for an insulated roof panel with barrel roof tile style skin layer, as shown and described.

**DESCRIPTION**

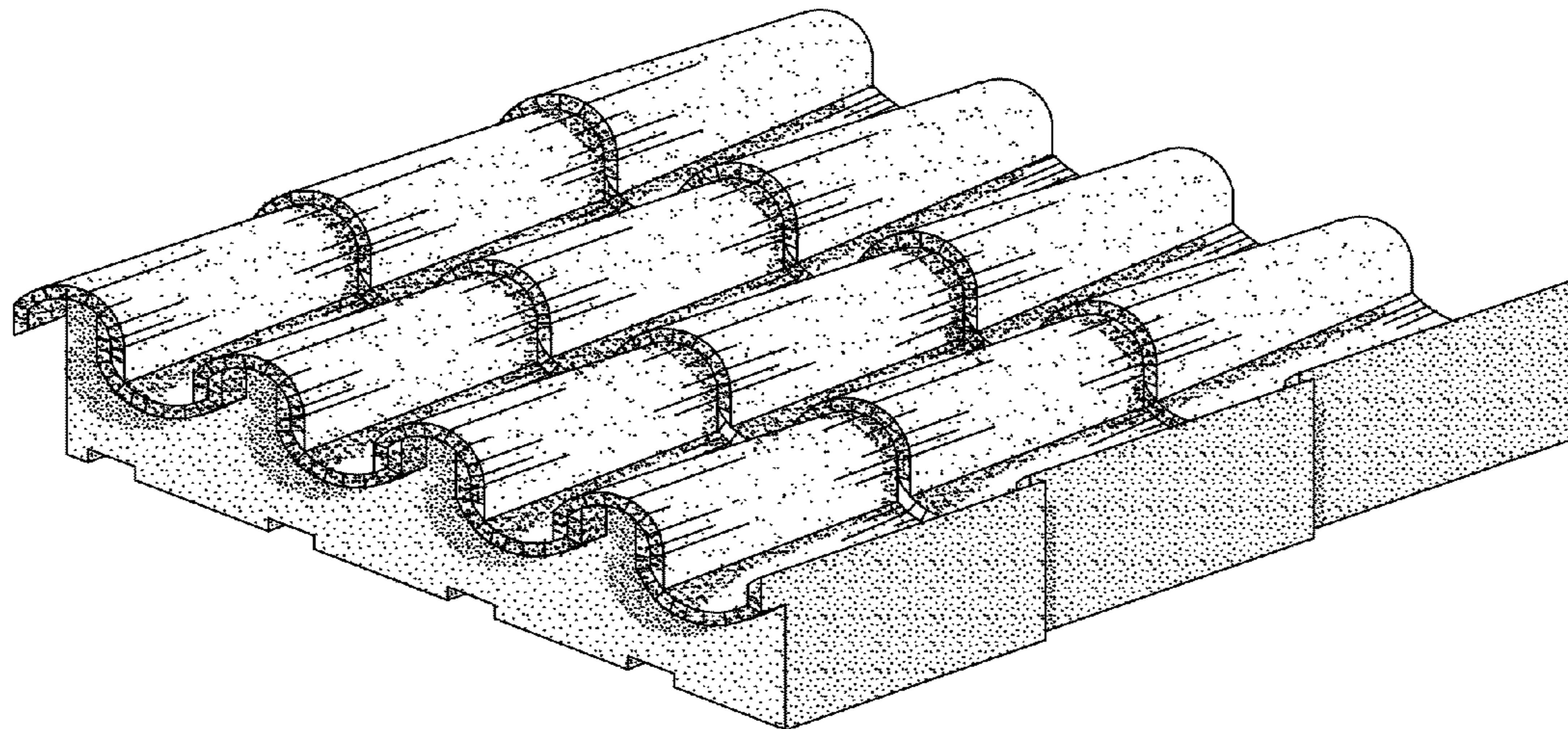
FIG. 1 is a top, front and right side perspective view of an insulated roof panel with barrel roof tile style skin layer showing my new design;  
FIG. 2 is a top, front and left side perspective view thereof;  
FIG. 3 is a bottom, front and left side perspective view thereof;  
FIG. 4 is a bottom, rear and left side perspective view thereof;  
FIG. 5 is a top view thereof;  
FIG. 6 is a bottom view thereof;  
FIG. 7 is a front elevational view thereof;  
FIG. 8 is a right side elevational view thereof;  
FIG. 9 is a rear elevational view thereof; and,  
FIG. 10 is a left side elevational view.

(56) **References Cited**

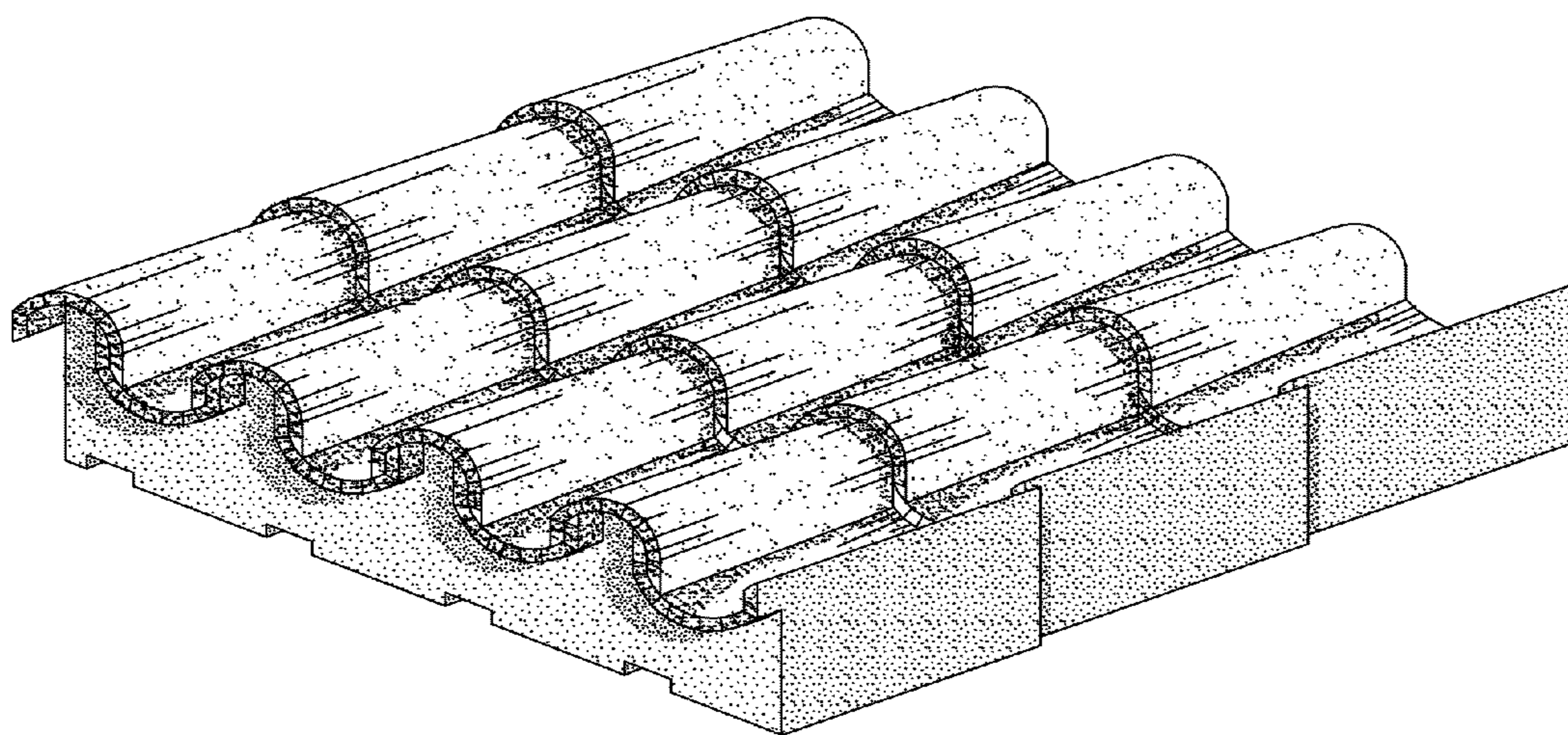
U.S. PATENT DOCUMENTS

3,485,002	A *	12/1969	Baker	.....	52/314
5,636,481	A *	6/1997	De Zen	.....	52/95
6,282,858	B1 *	9/2001	Swick	.....	52/533
D458,392	S *	6/2002	O'Hagin et al.	.....	D25/143
2002/0152705	A1 *	10/2002	Gambale	.....	52/518

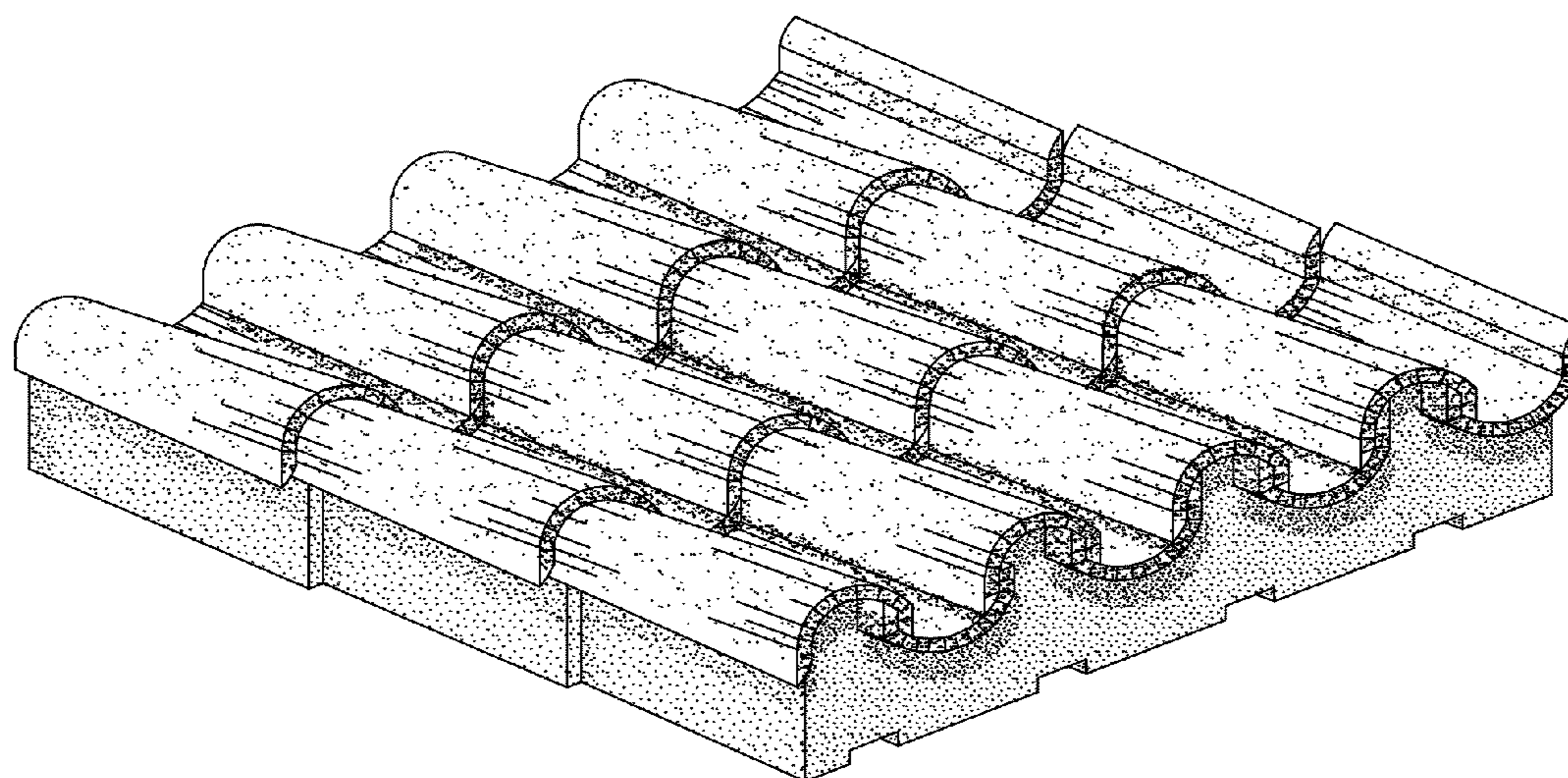
**1 Claim, 4 Drawing Sheets**



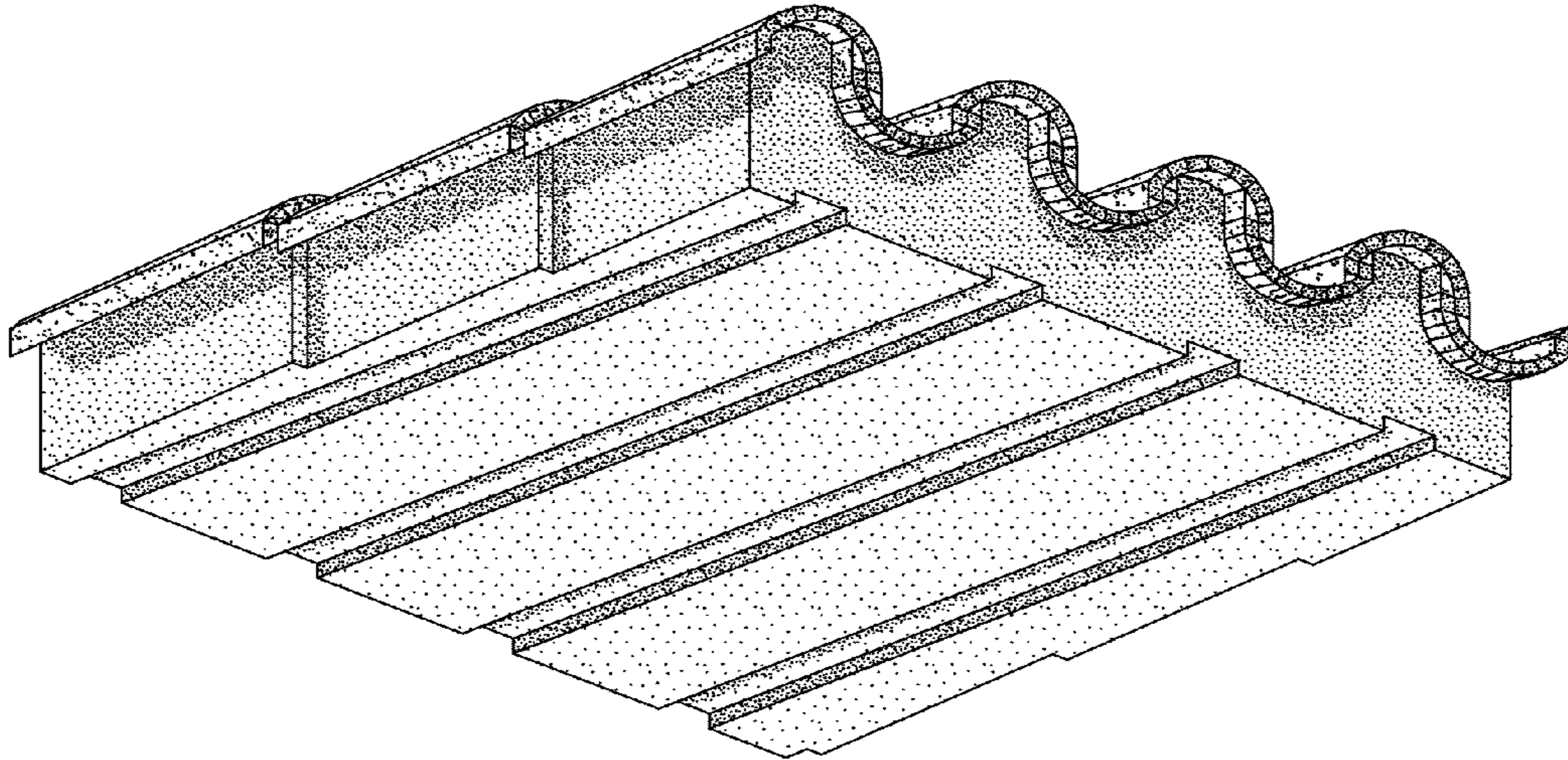
*Fig. 1*



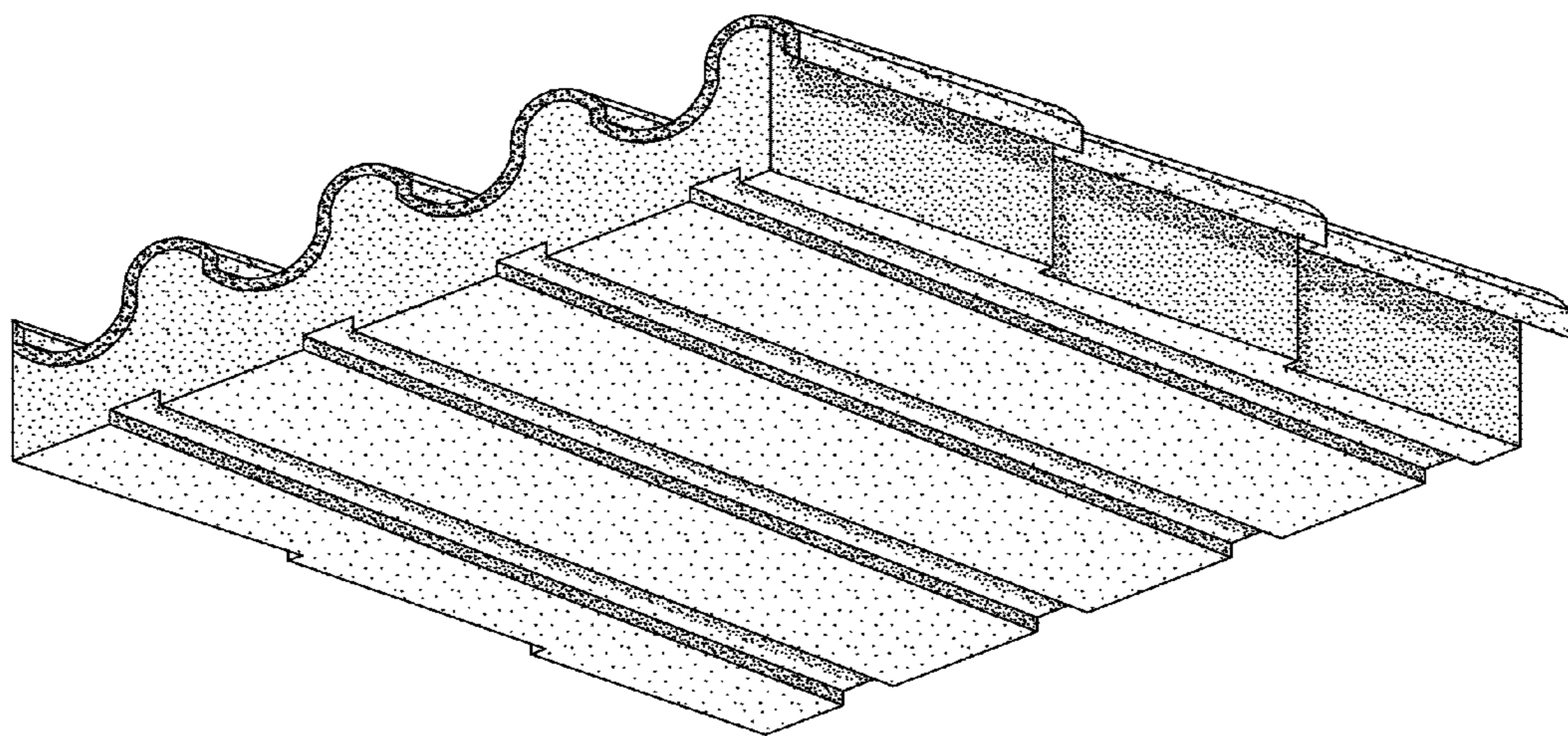
*Fig. 2*



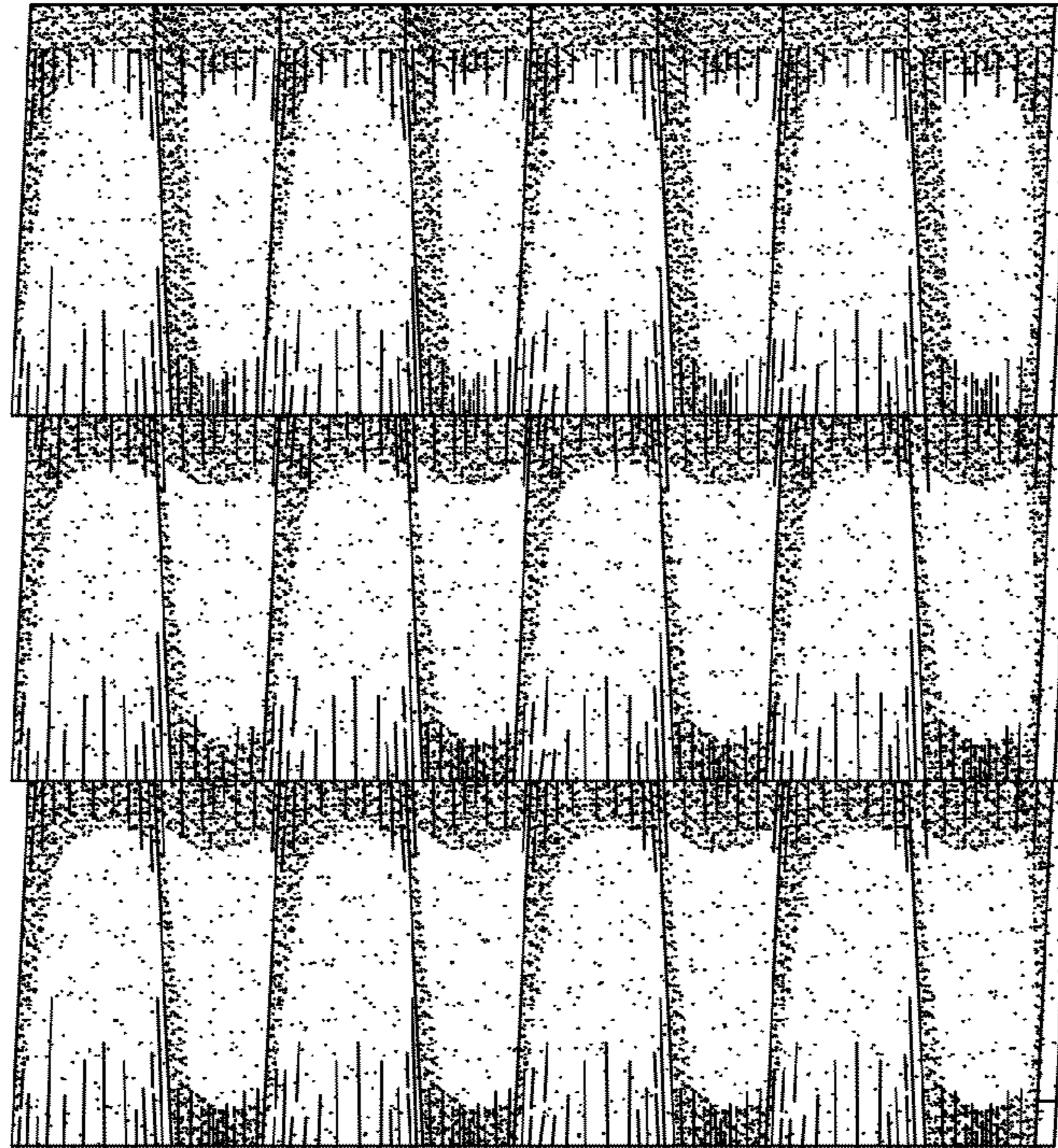
*Fig. 3*



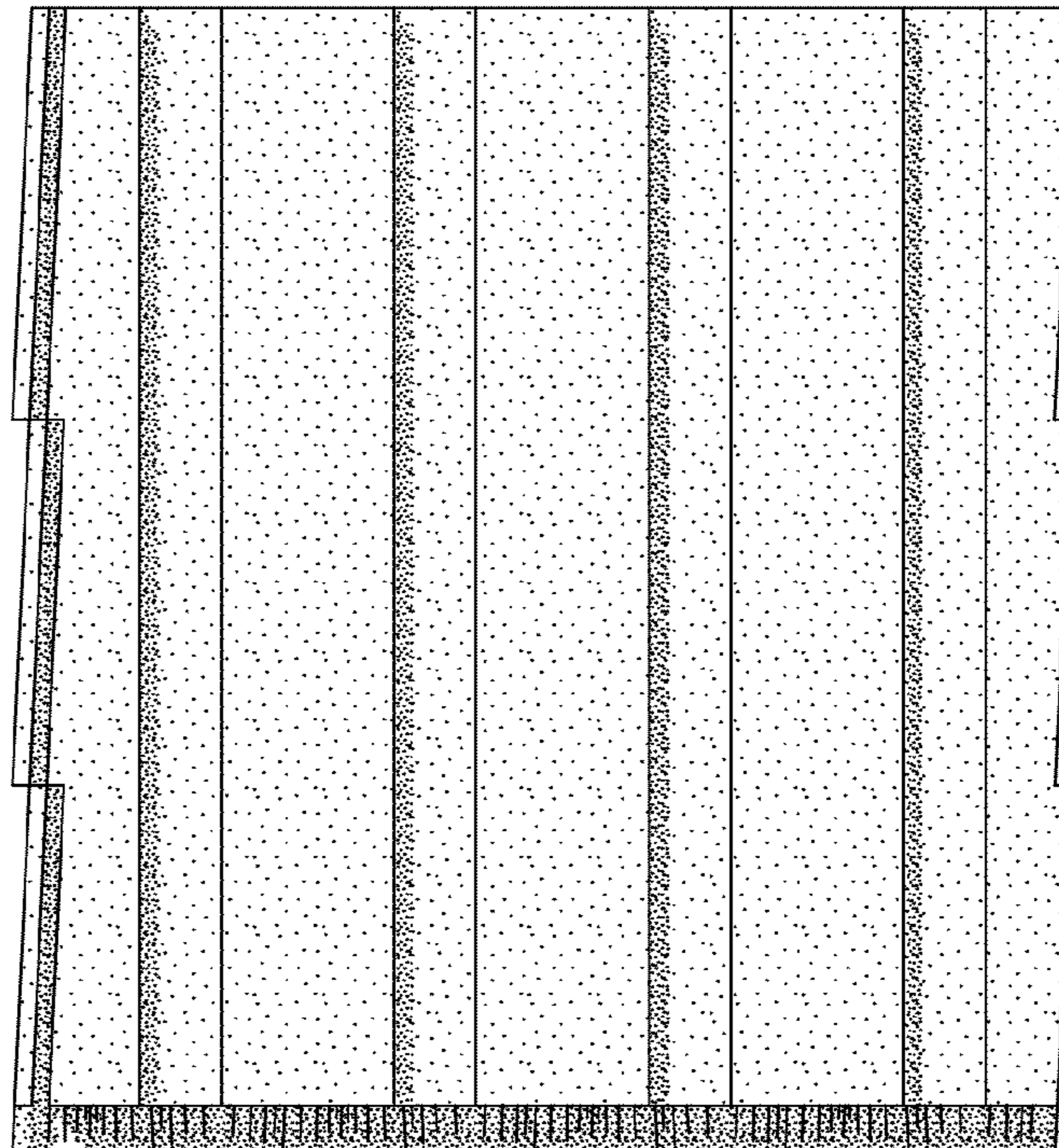
*Fig. 4*



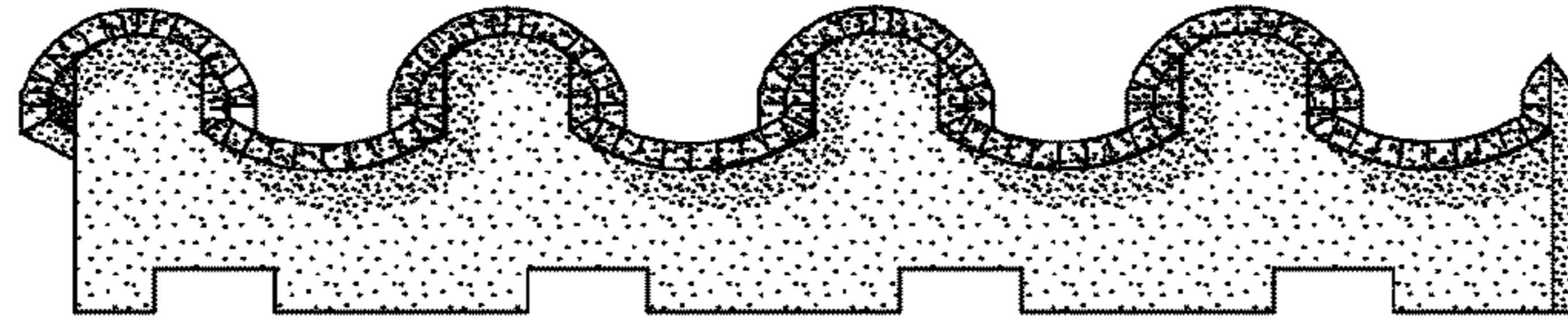
*Fig. 5*



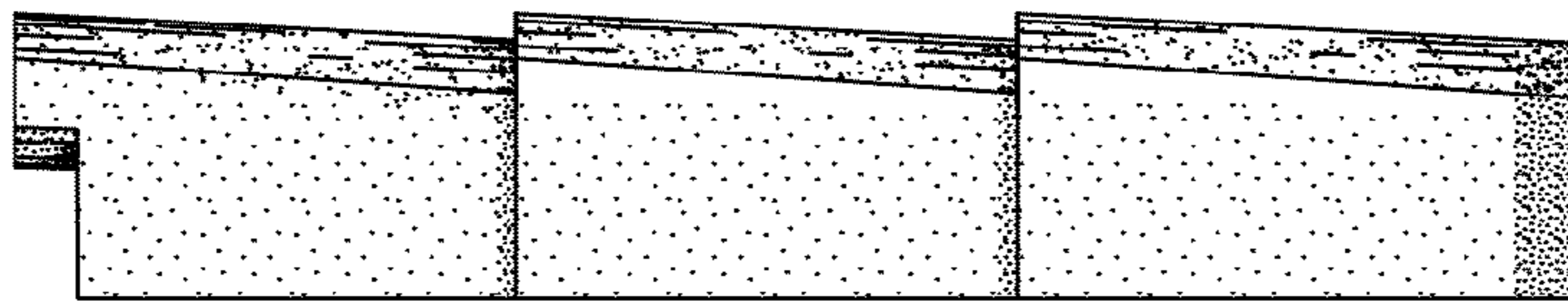
*Fig. 6*



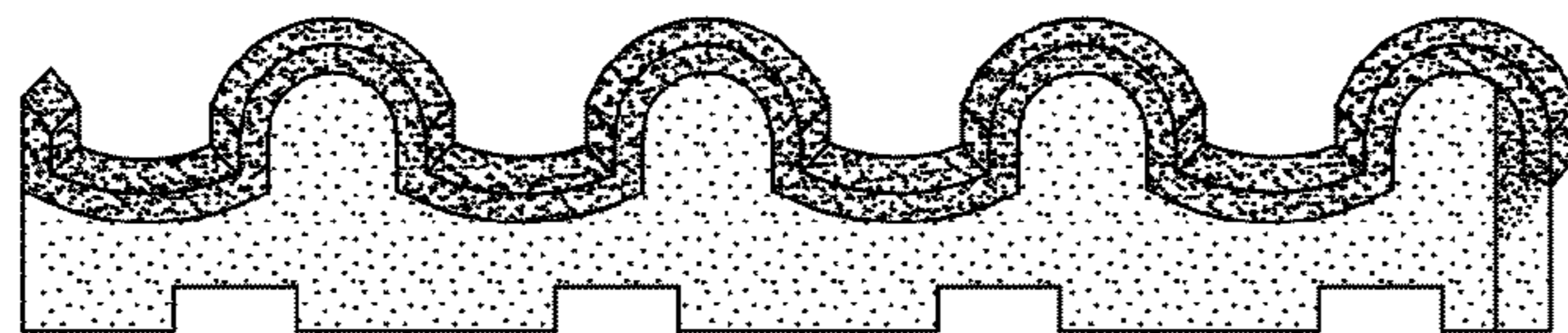
*Fig. 7*



*Fig. 8*



*Fig. 9*



*Fig. 10*

