



US00D685111S

(12) **United States Design Patent**
Henriquez

(10) **Patent No.:** **US D685,111 S**
(45) **Date of Patent:** **** Jun. 25, 2013**

(54) **INSULATED ROOF PANEL WITH SPANISH S ROOF TILE STYLE SKIN LAYER**

Primary Examiner — Doris Clark
(74) *Attorney, Agent, or Firm* — CUSPA Technology Law Associates; Yi Li

(76) **Inventor:** **Jose L Henriquez**, Miami, FL (US)

(**) **Term:** **14 Years**

(57) **CLAIM**

(21) **Appl. No.:** **29/420,686**

The ornamental design for an insulated roof panel with Spanish S roof tile style skin layer, as shown and described.

(22) **Filed:** **May 11, 2012**

(51) **LOC (9) Cl.** **25-01**

(52) **U.S. Cl.**
USPC **D25/143**

(58) **Field of Classification Search**
USPC D25/143; 52/506.01, 518, 549, 554,
52/555, 557, 302.1, 506.04
See application file for complete search history.

DESCRIPTION

(56) **References Cited**

U.S. PATENT DOCUMENTS

3,485,002	A *	12/1969	Baker	52/314
5,636,481	A *	6/1997	De Zen	52/95
6,282,858	B1 *	9/2001	Swick	52/533
D458,392	S *	6/2002	O'Hagin et al.	D25/143
2002/0152705	A1 *	10/2002	Gambale	52/518
2004/0103611	A1 *	6/2004	King et al.	52/554

FIG. 1 is a top, front and right side perspective view of an insulated roof panel with Spanish S roof tile style skin layer showing my new design;
FIG. 2 is a top, front and left side perspective view thereof;
FIG. 3 is a bottom, front and left side perspective view thereof;
FIG. 4 is a bottom, rear and left side perspective view thereof;
FIG. 5 is a top view thereof;
FIG. 6 is a bottom view thereof;
FIG. 7 is a front elevational view thereof;
FIG. 8 is a right side elevational view thereof;
FIG. 9 is a rear elevational view thereof; and,
FIG. 10 is a left side elevational view.

* cited by examiner

1 Claim, 4 Drawing Sheets

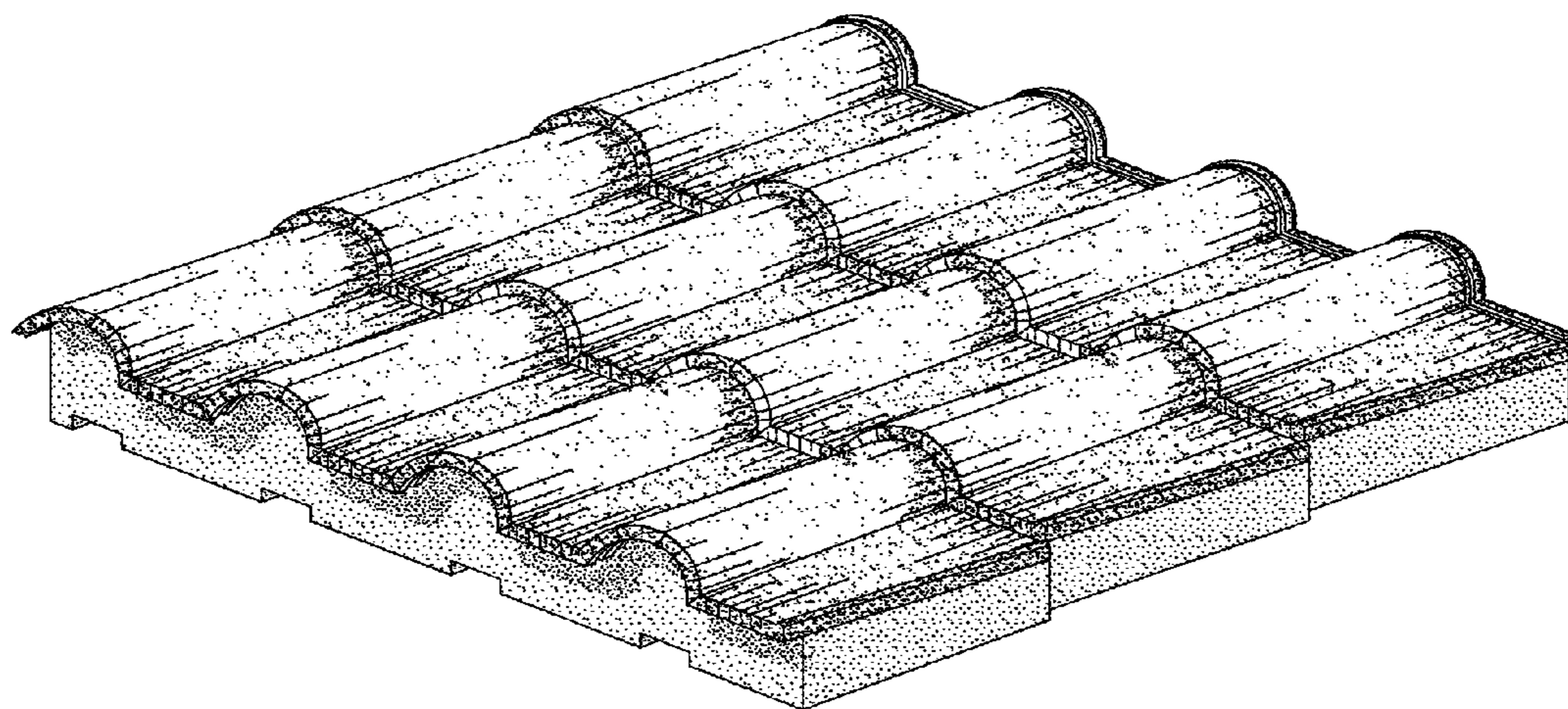


Fig. 1

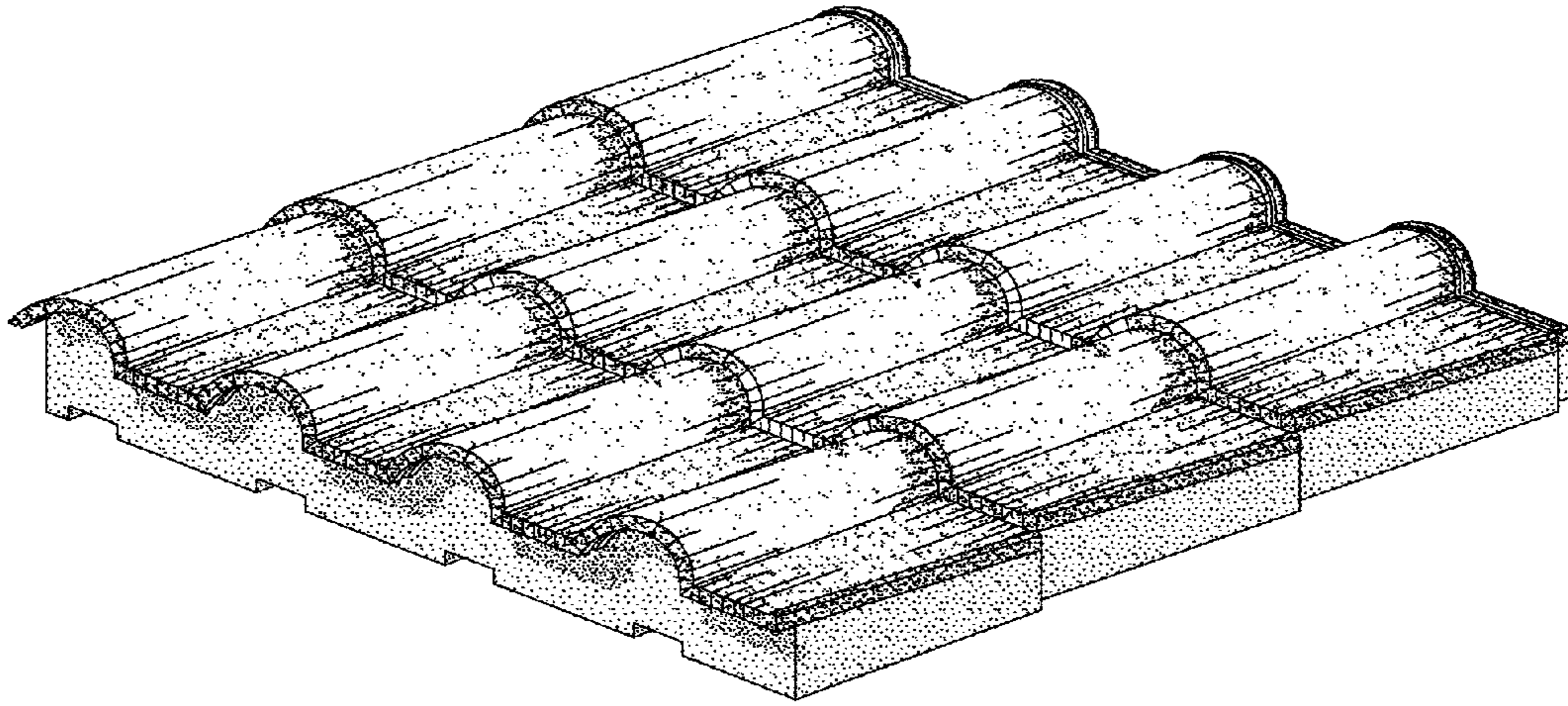


Fig. 2

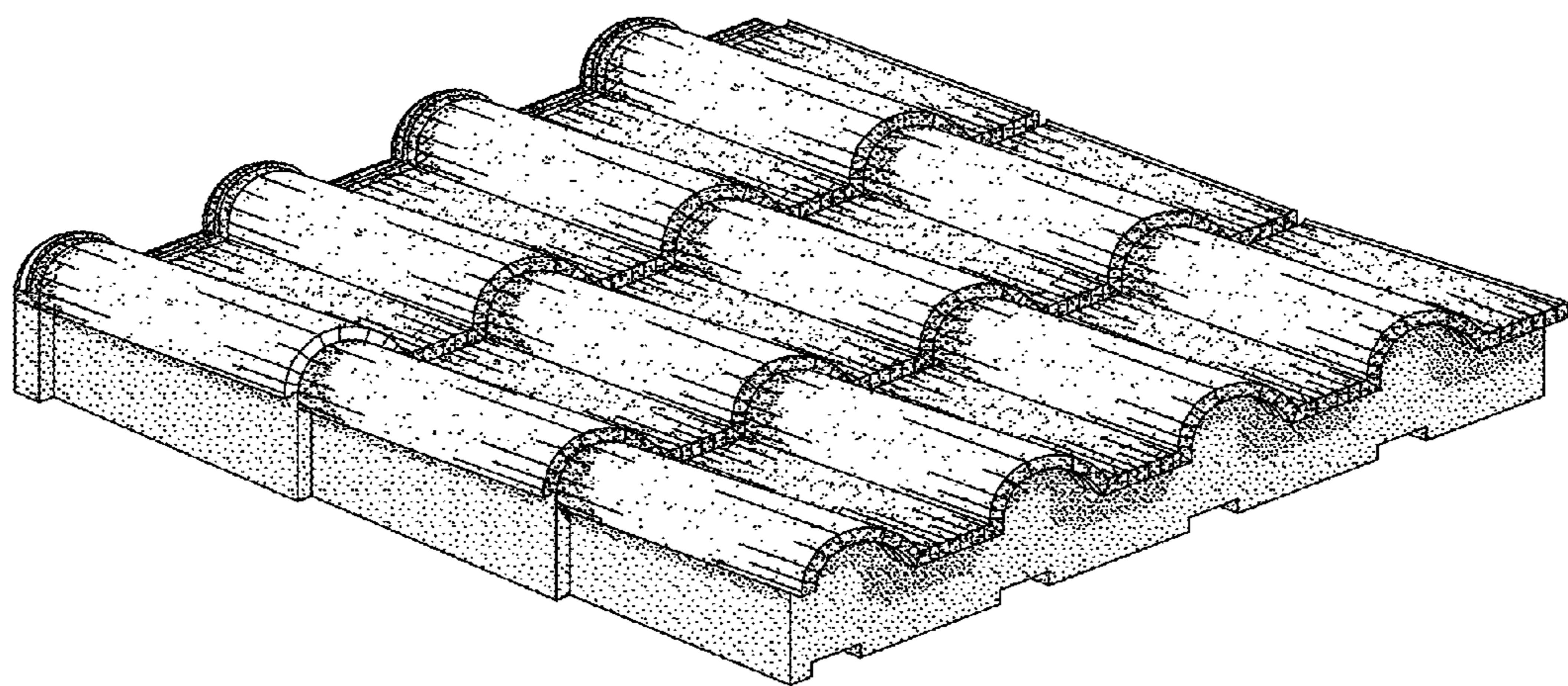


Fig. 3

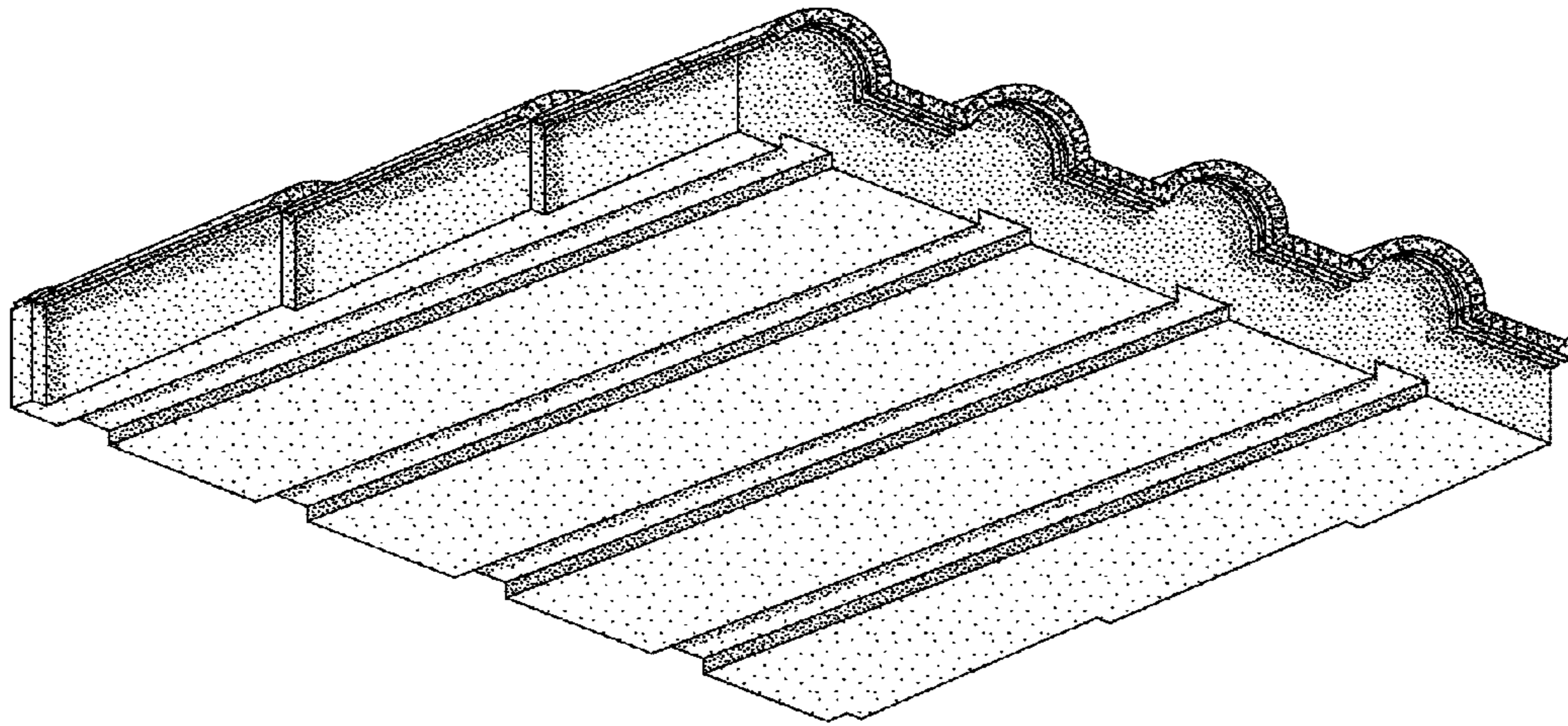


Fig. 4

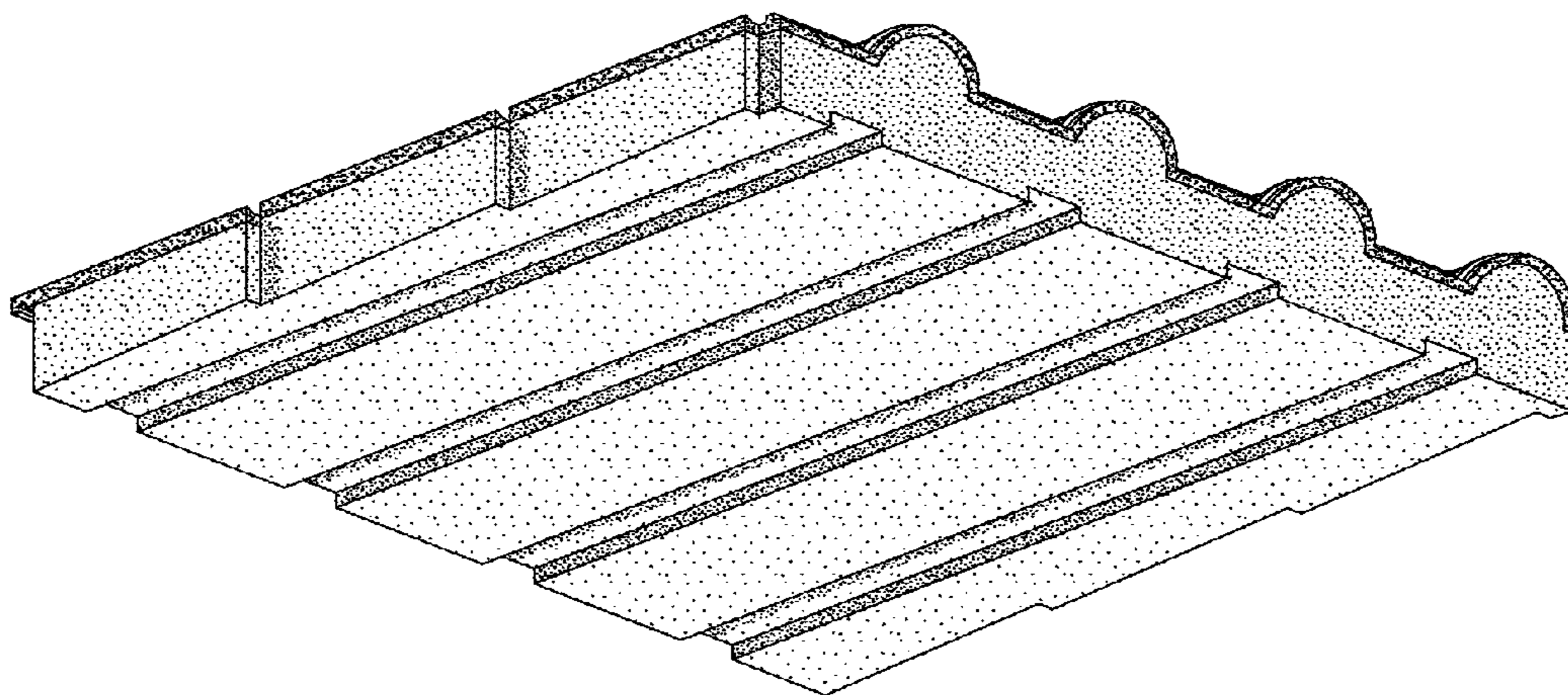


Fig. 5

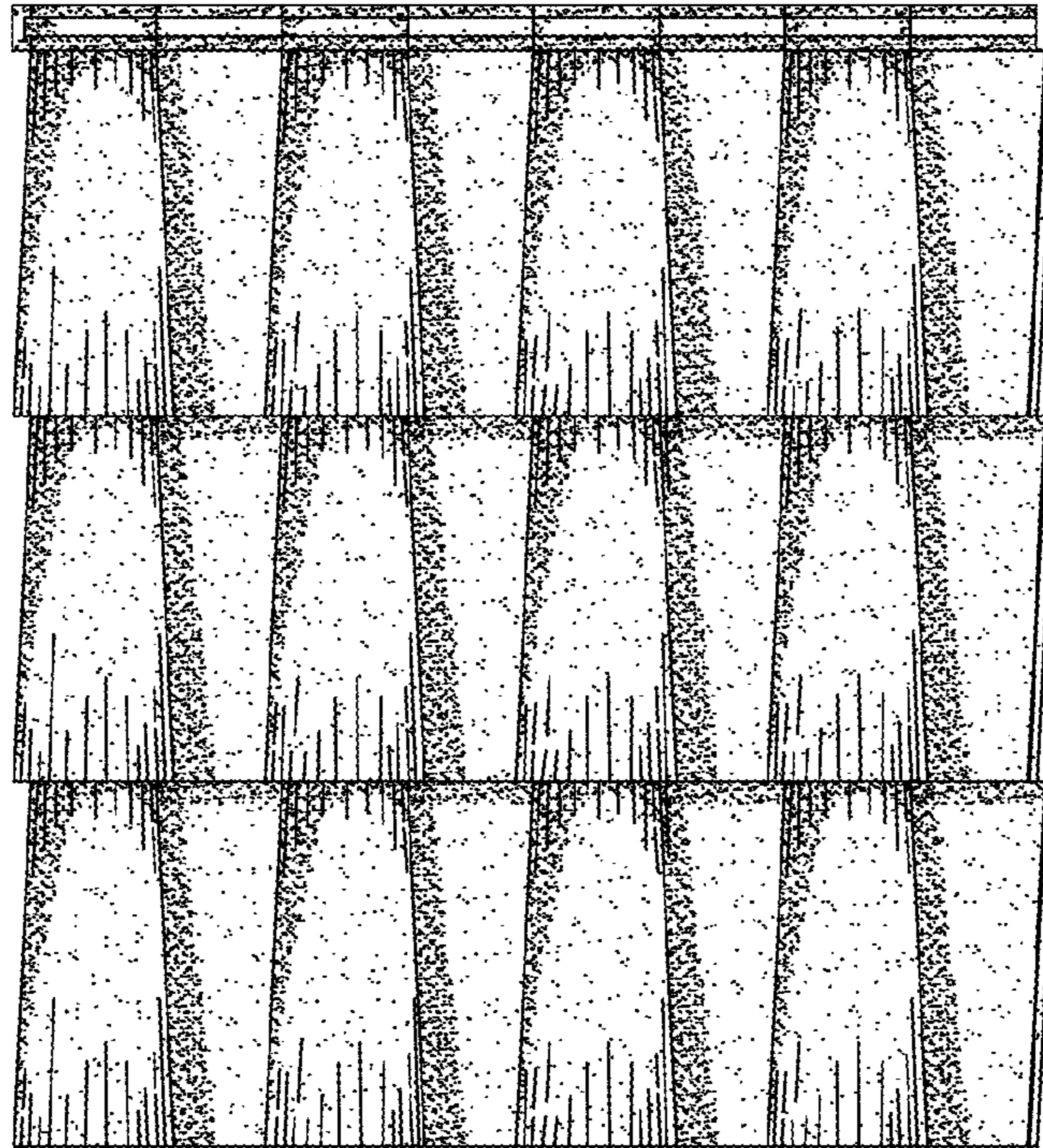


Fig. 6

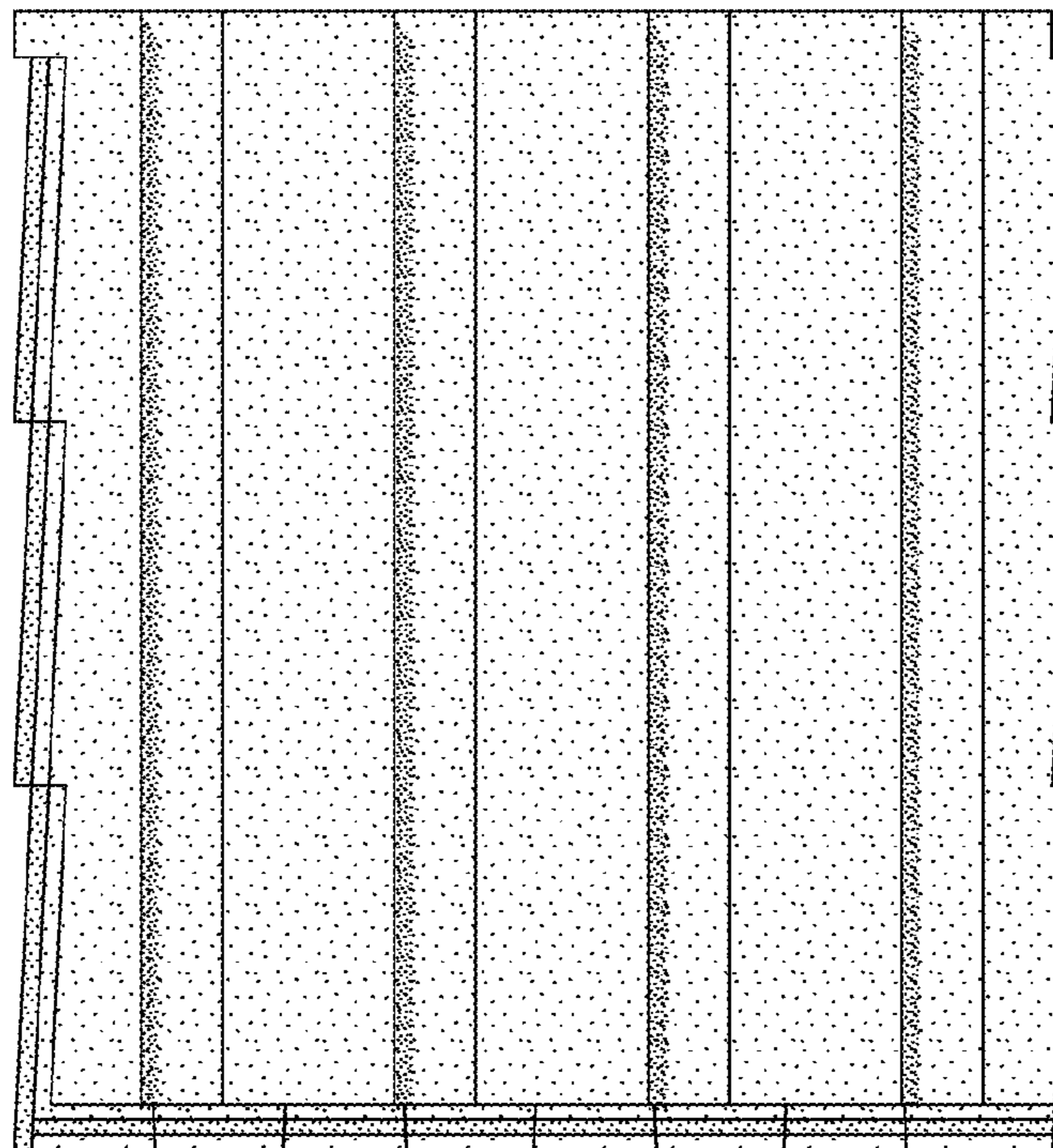


Fig. 7

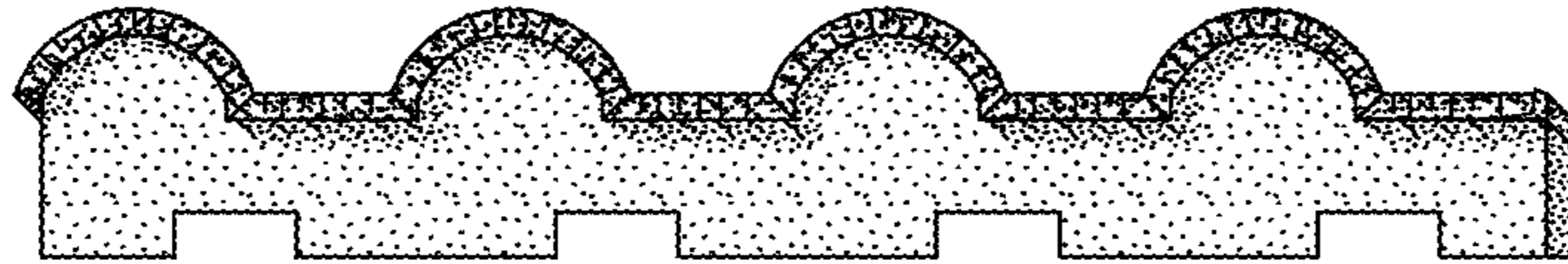


Fig. 8

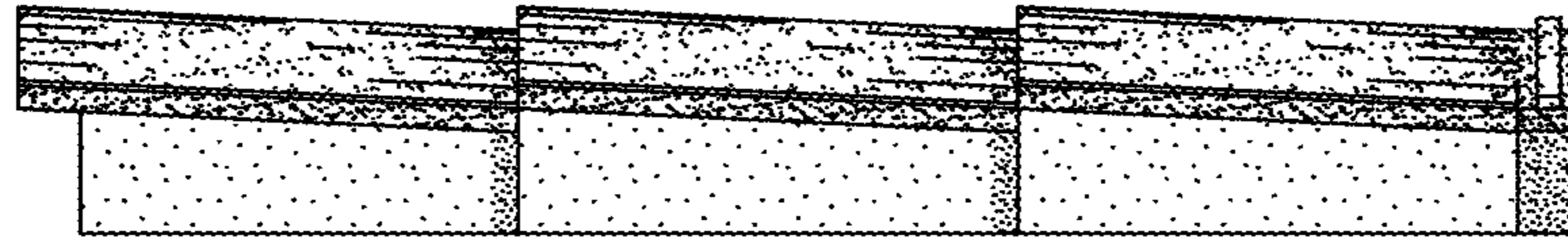


Fig. 9

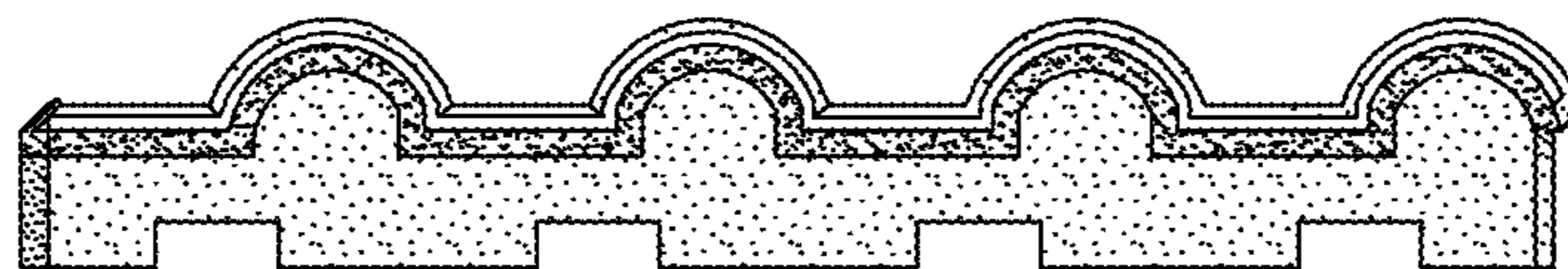


Fig. 10

