



US00D685110S

(12) **United States Design Patent**  
**Lusin et al.**

(10) **Patent No.:** **US D685,110 S**  
(45) **Date of Patent:** **\*\* Jun. 25, 2013**

- (54) **SCAFFOLDING TRAY**
- (75) Inventors: **Randal J. Lusin**, Billings, MT (US);  
**Cheryl Lusin**, Billings, MT (US)
- (73) Assignee: **RCL Enterprises, LLC**, Billings, MT  
(US)
- (\*\*) Term: **14 Years**
- (21) Appl. No.: **29/419,709**
- (22) Filed: **May 1, 2012**
- (51) **LOC (9) Cl.** ..... **25-04**
- (52) **U.S. Cl.**  
USPC ..... **D25/68**
- (58) **Field of Classification Search**  
USPC ..... D25/68; 248/210, 238; 182/112,  
182/120  
See application file for complete search history.

5,746,288 A	5/1998	O'Neal et al.
6,098,749 A	8/2000	Enochs
6,116,163 A	9/2000	Mitchell
D444,890 S	7/2001	Redgate
6,902,034 B2	6/2005	Gibson
D516,227 S	2/2006	Price
D576,292 S *	9/2008	Brown ..... D25/68
2003/0209387 A1	11/2003	Burr
2004/0238278 A1	12/2004	Gibson et al.
2005/0056485 A1	3/2005	Tarlow
2006/0169537 A1	8/2006	Enochs
2007/0261916 A1	11/2007	Sward et al.
2008/0000722 A1	1/2008	Winslow

\* cited by examiner

*Primary Examiner* — Doris Clark

(74) *Attorney, Agent, or Firm* — Antoinette M. Tease

(57) **CLAIM**

The ornamental design for a scaffolding tray, as shown and described.

(56) **References Cited**

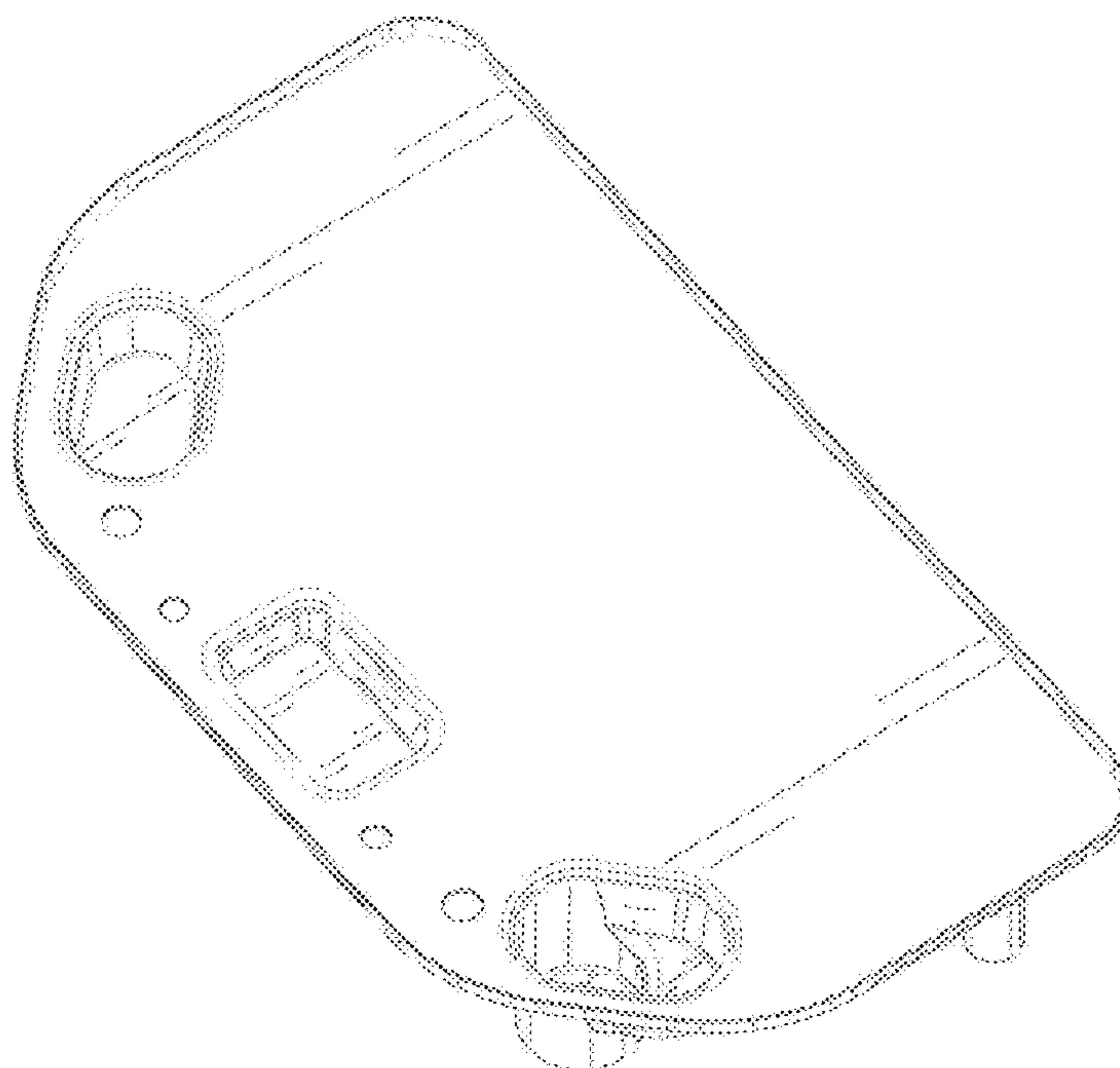
U.S. PATENT DOCUMENTS

2,446,972 A	9/1946	Wyen	
3,020,972 A	3/1960	Hockett	
3,684,055 A	8/1972	Rice	
D273,996 S	5/1984	Rasler	
D307,187 S	4/1990	Schaf	
4,953,661 A *	9/1990	Hilton et al. ....	182/120
5,072,955 A	12/1991	Holland et al.	
5,158,023 A	10/1992	Allen	
5,191,954 A *	3/1993	Ledford ..... 182/129	
5,622,463 A	4/1997	Testa	
5,624,093 A	4/1997	Gemmell	

**DESCRIPTION**

FIG. 1 is a top perspective view showing our new design.  
 FIG. 2 is a front view showing our new design.  
 FIG. 3 is a rear view showing our new design.  
 FIG. 4 is a first side view showing our new design.  
 FIG. 5 is a second side view showing our new design.  
 FIG. 6 is a top view showing our new design.  
 FIG. 7 is a bottom view showing our new design; and,  
 FIG. 8 is a bottom perspective view showing our new design.

**1 Claim, 8 Drawing Sheets**



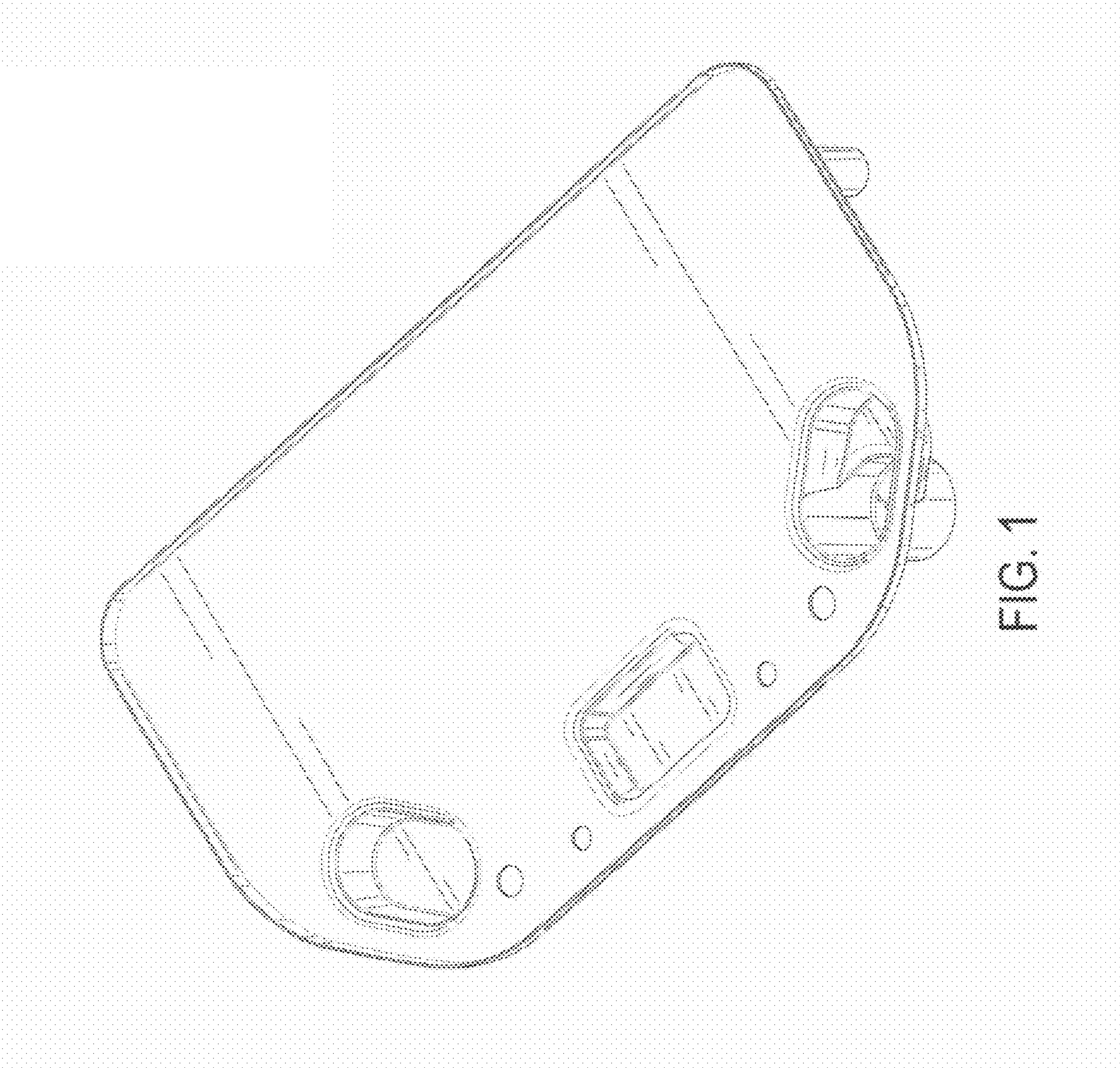


FIG. 1

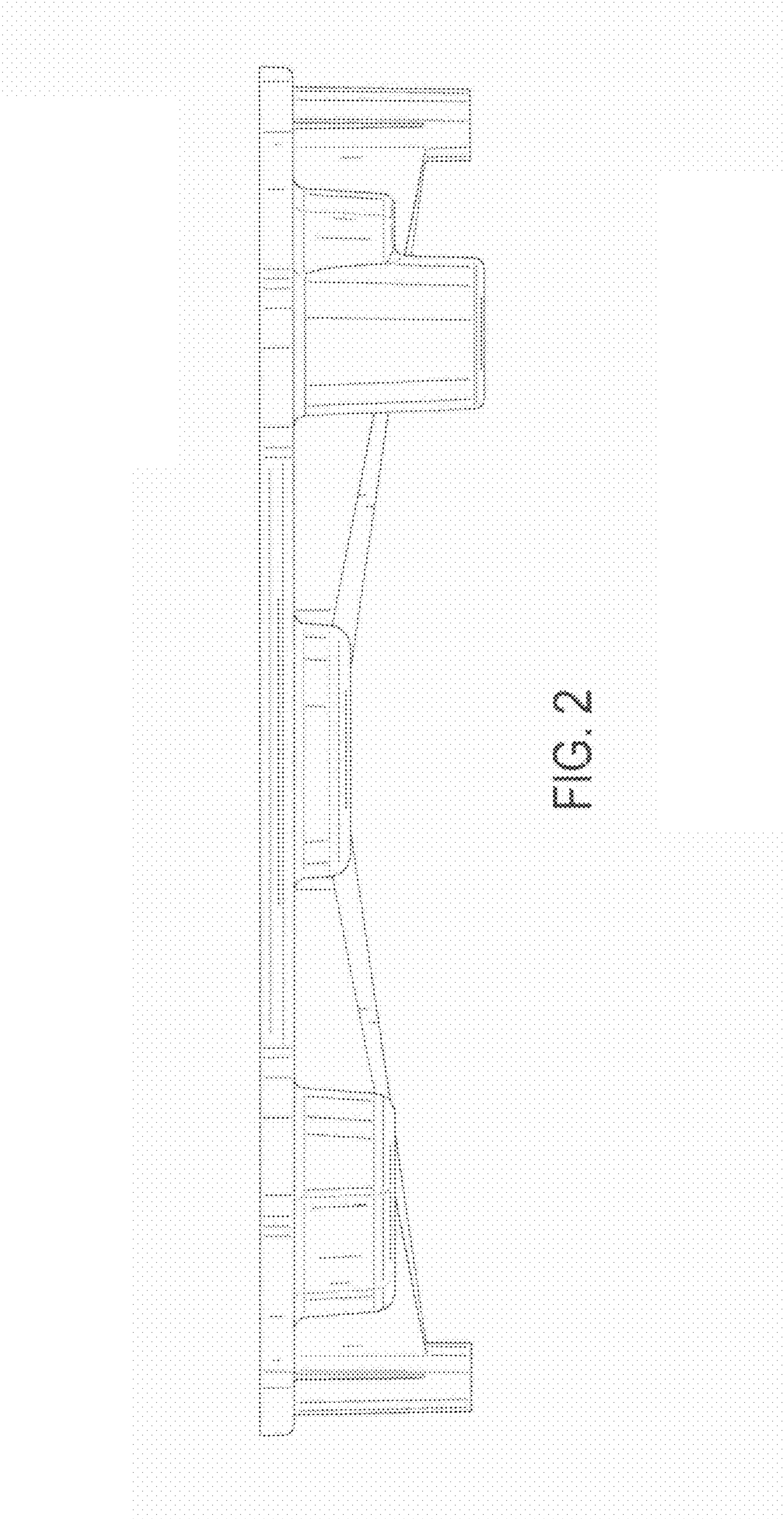


FIG. 2



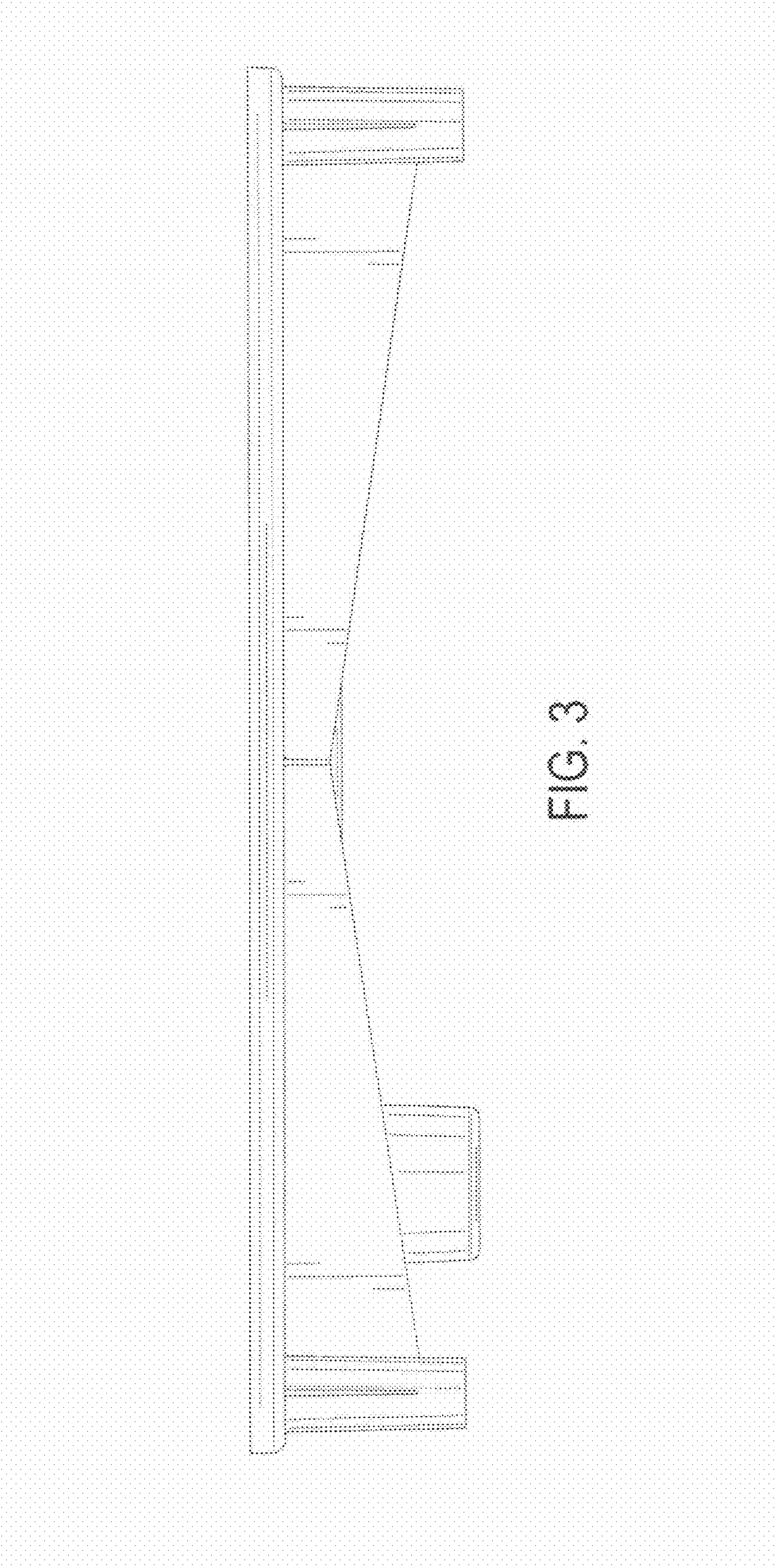
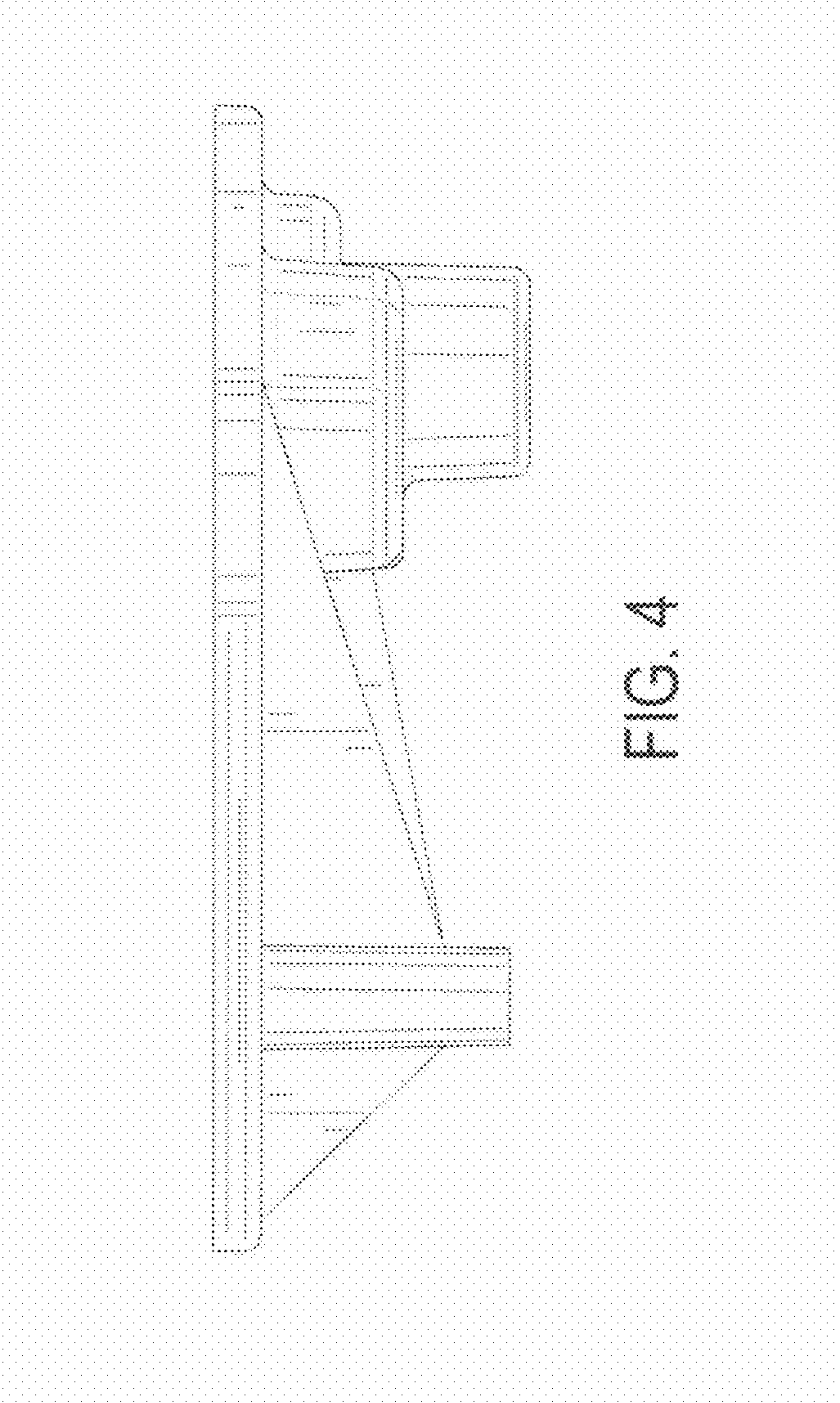


FIG. 3



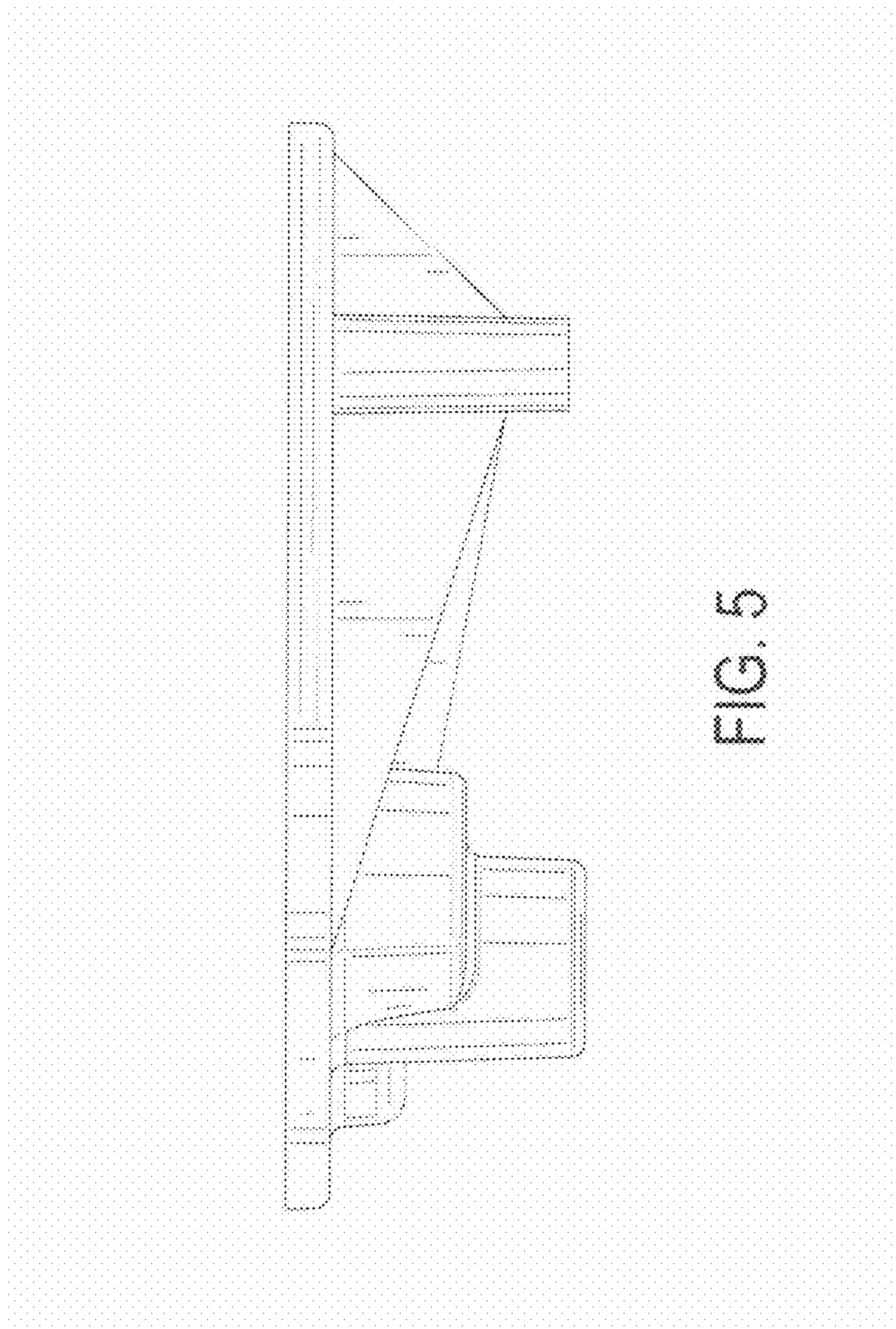


FIG. 5

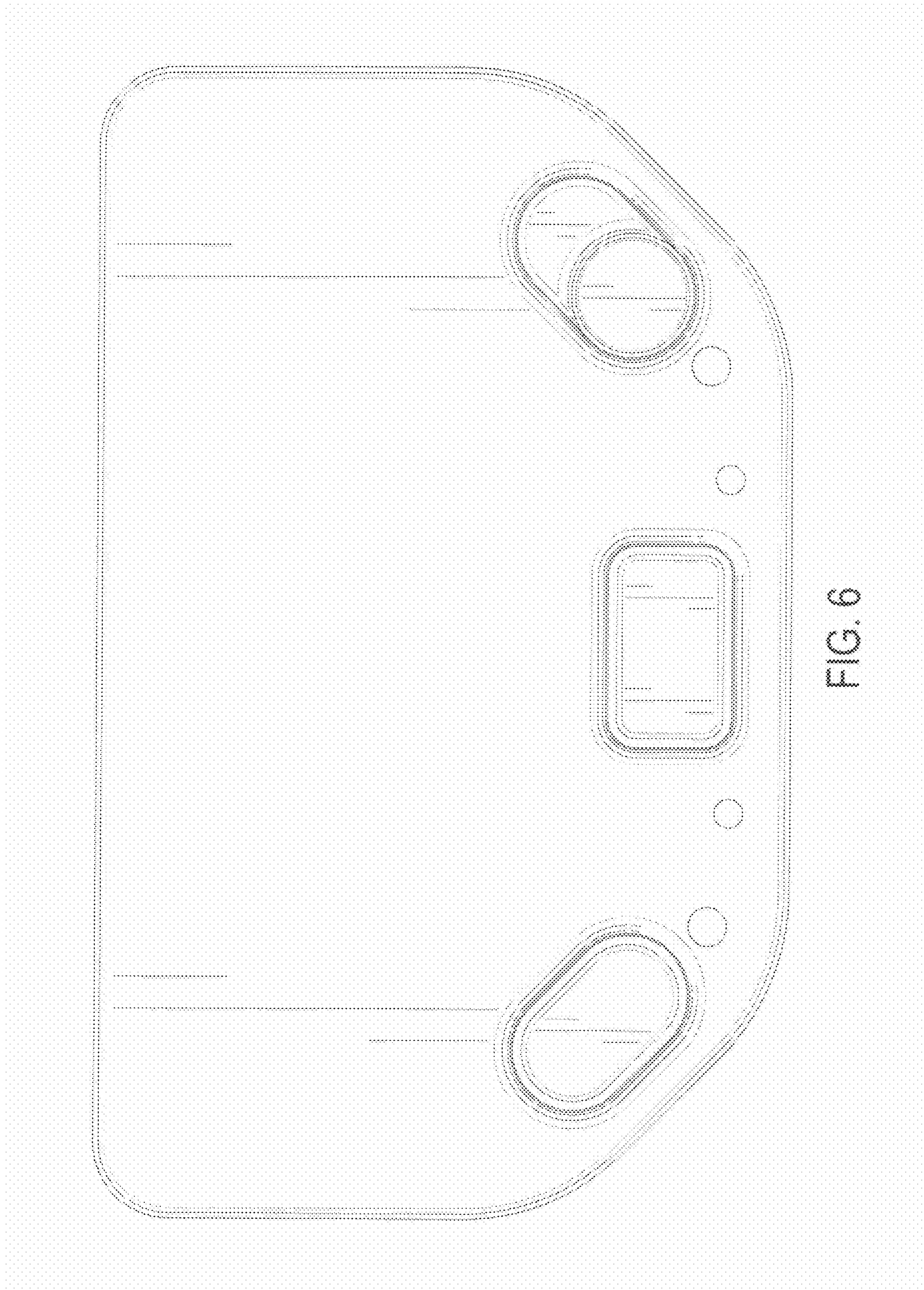


FIG. 6



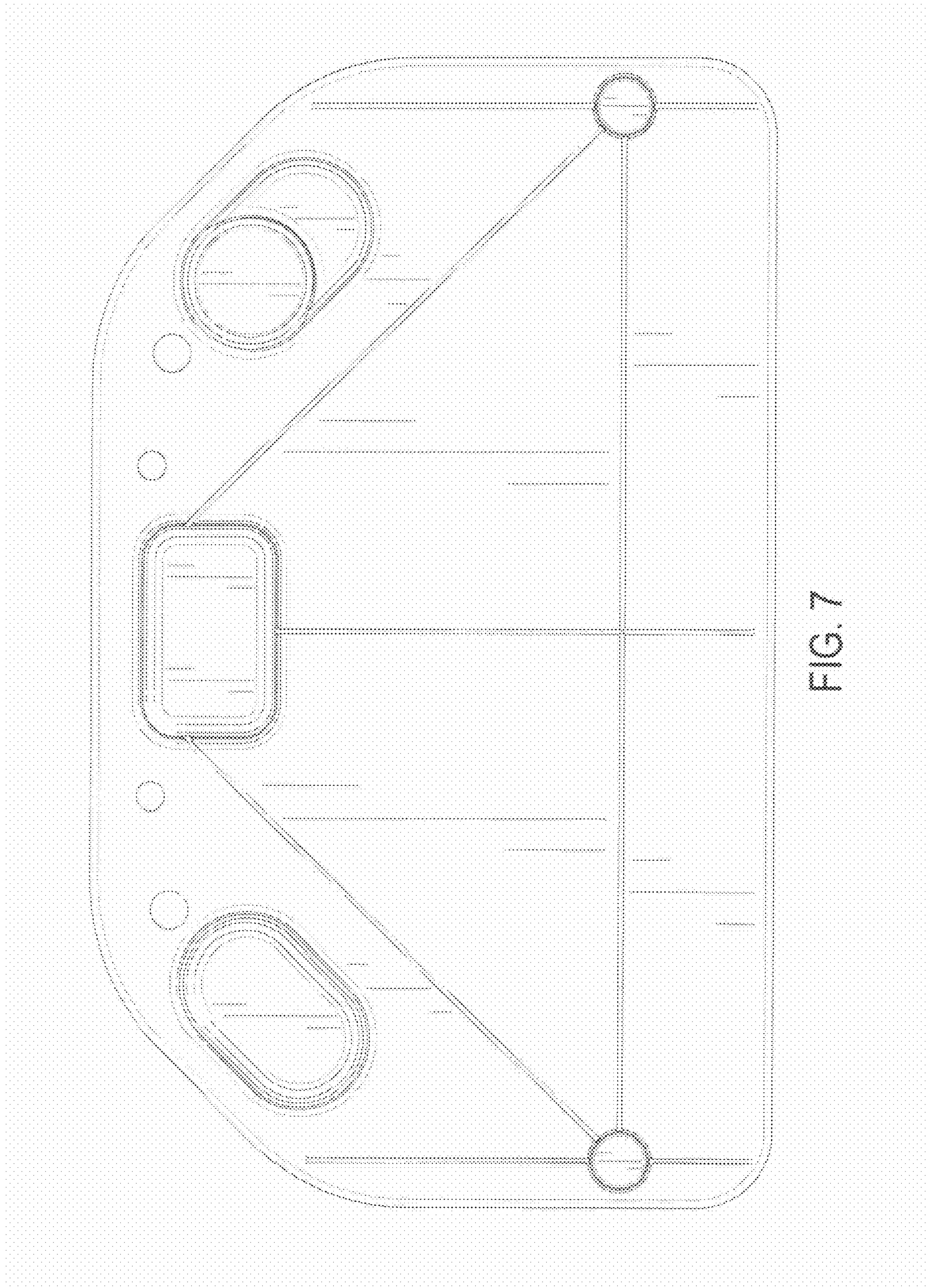


FIG. 7



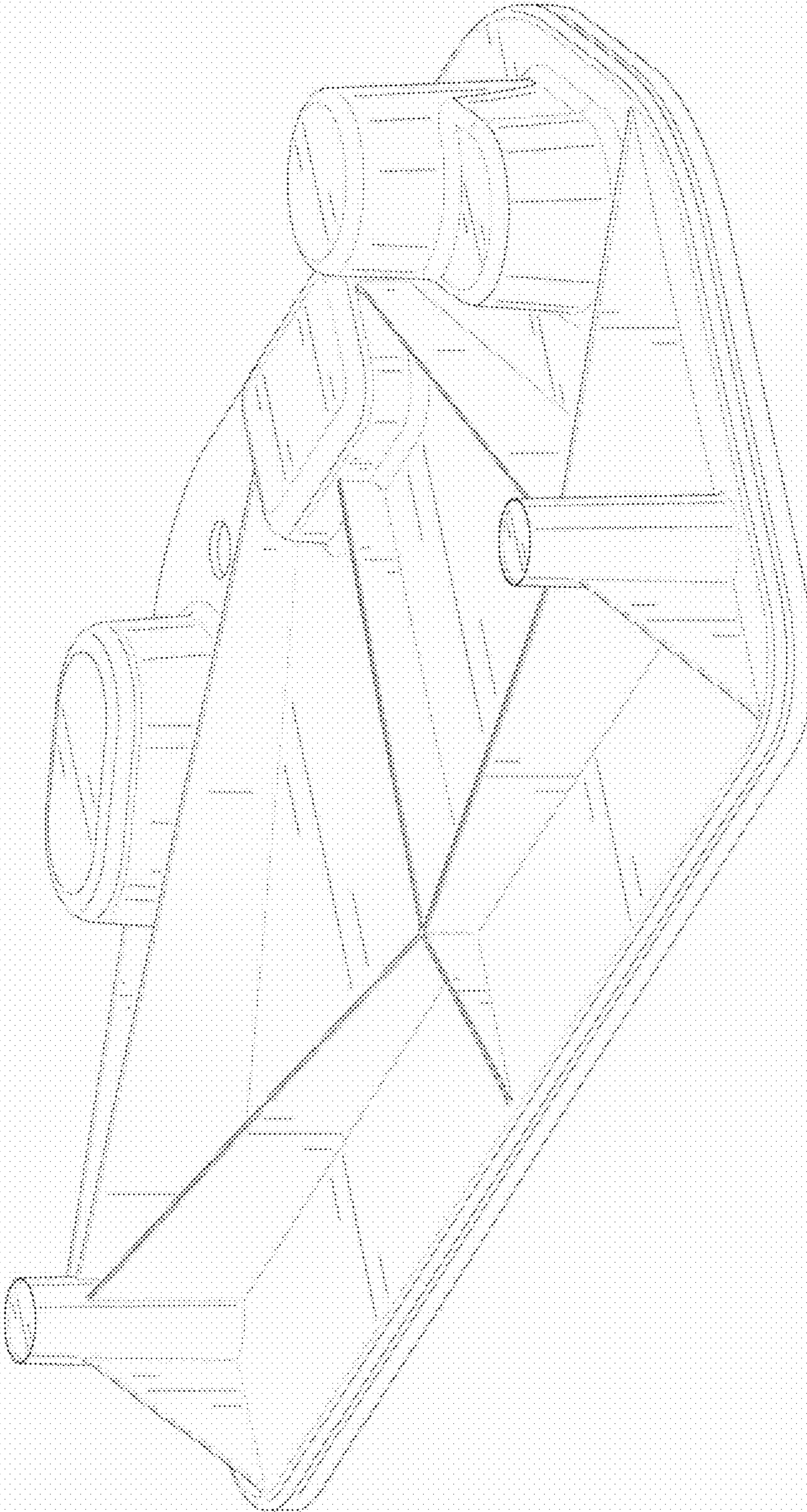


FIG. 8