



US00D685108S

(12) **United States Design Patent**
Gaffin et al.

(10) **Patent No.:** **US D685,108 S**
(45) **Date of Patent:** **** Jun. 25, 2013**

(54) **HAND RAIL**

(75) Inventors: **Roy W. Gaffin**, Liberty, SC (US); **Brett A. Seeton**, Liberty, SC (US)

(73) Assignee: **Charron Sports Services**, Liberty, SC (US)

(**) Term: **14 Years**

(21) Appl. No.: **29/417,273**

(22) Filed: **Apr. 2, 2012**

(51) **LOC (9) Cl.** **25-02**

(52) **U.S. Cl.**
USPC **D25/41.1**

(58) **Field of Classification Search**
USPC D25/41.1; 182/113, 106; 4/496,
4/504, 506, 511; D8/303, 315
See application file for complete search history.

(56) **References Cited**

U.S. PATENT DOCUMENTS

3,065,820 A * 11/1962 Prizler et al. 182/93
D417,287 S * 11/1999 Victor et al. D25/41.1
6,328,285 B1 12/2001 Wiseman

6,601,245 B2 * 8/2003 Weiss 4/496
6,854,216 B2 2/2005 Ahrens et al.
D535,544 S * 1/2007 DeBaal et al. D8/303
2008/0202850 A1 * 8/2008 Anderson et al. 182/106

* cited by examiner

Primary Examiner — Doris Clark

(74) *Attorney, Agent, or Firm* — John B. Hardaway, III;
Nexsen Pruet, LLC

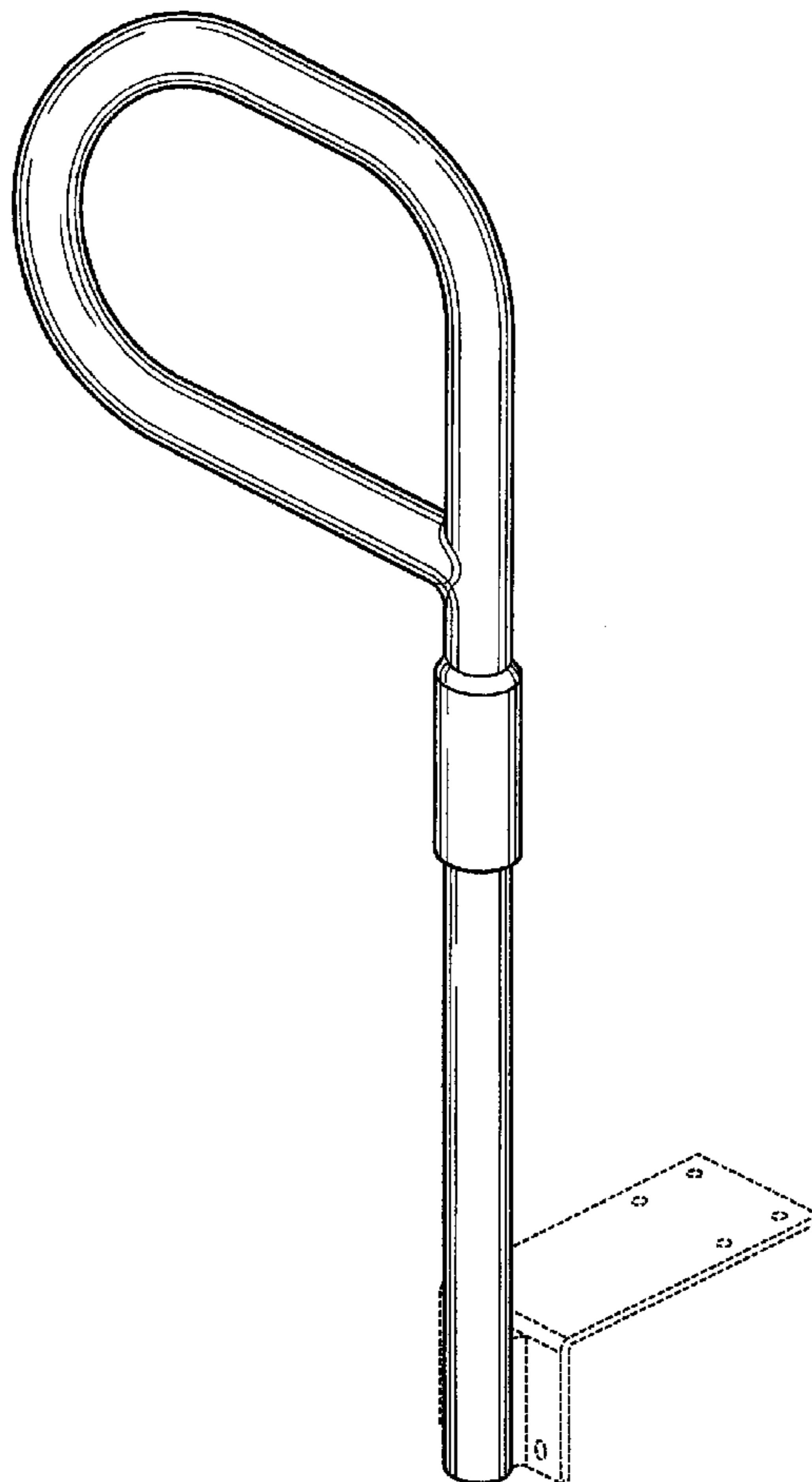
(57) **CLAIM**

The ornamental design for a hand rail, as shown and described.

DESCRIPTION

FIG. 1 is a front right perspective view of the hand rail of the present invention;
FIG. 2 is a right view of the embodiment of FIG. 1;
FIG. 3 is a left view of the embodiment of FIG. 1;
FIG. 4 is a front view of the embodiment of FIG. 1;
FIG. 5 is a back view of the embodiment of FIG. 1;
FIG. 6 is a top view of the embodiment of FIG. 1; and,
FIG. 7 is a bottom view of the embodiment of FIG. 1.
The broken lines are for illustrative purposes only and form no part of the claimed design.

1 Claim, 4 Drawing Sheets



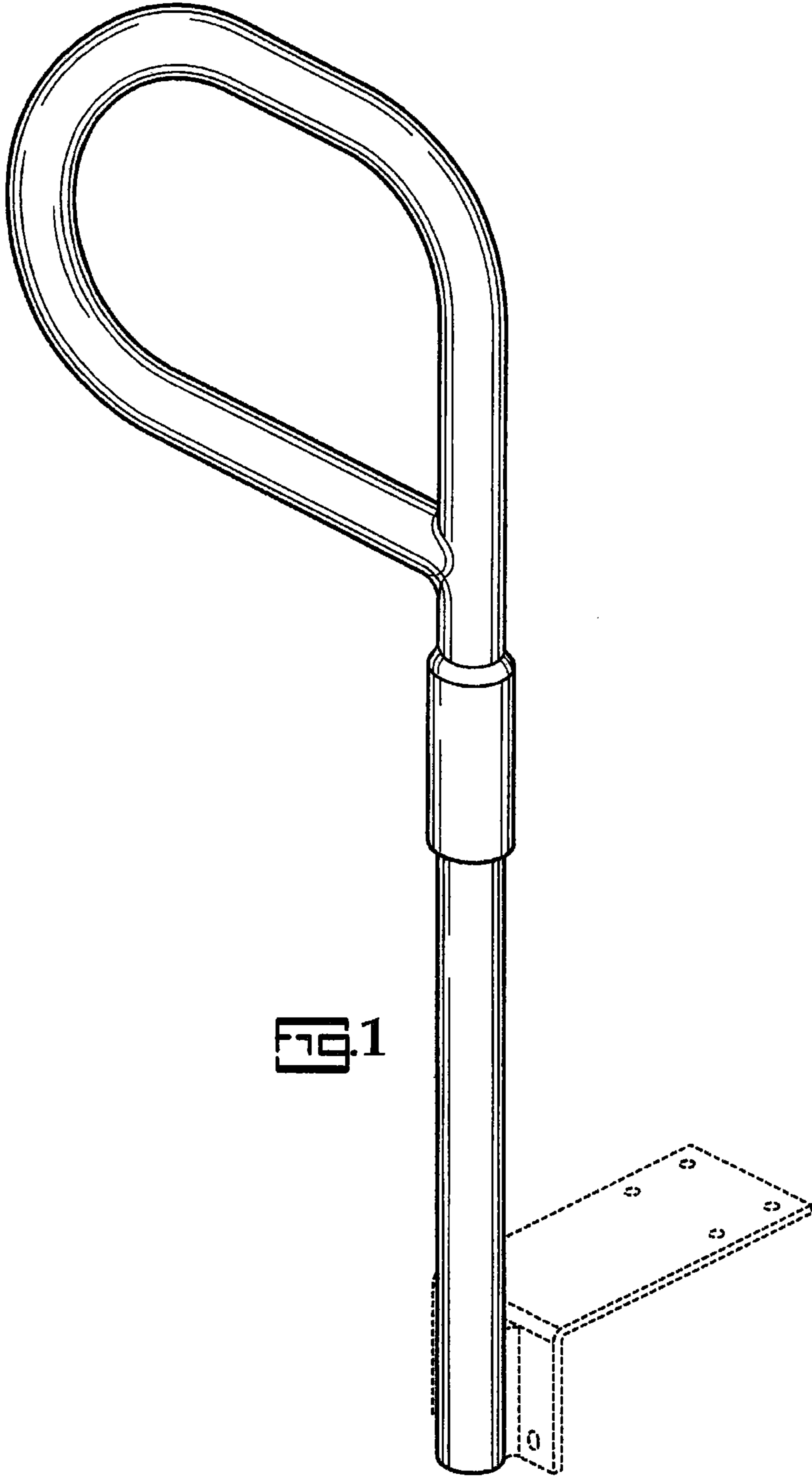
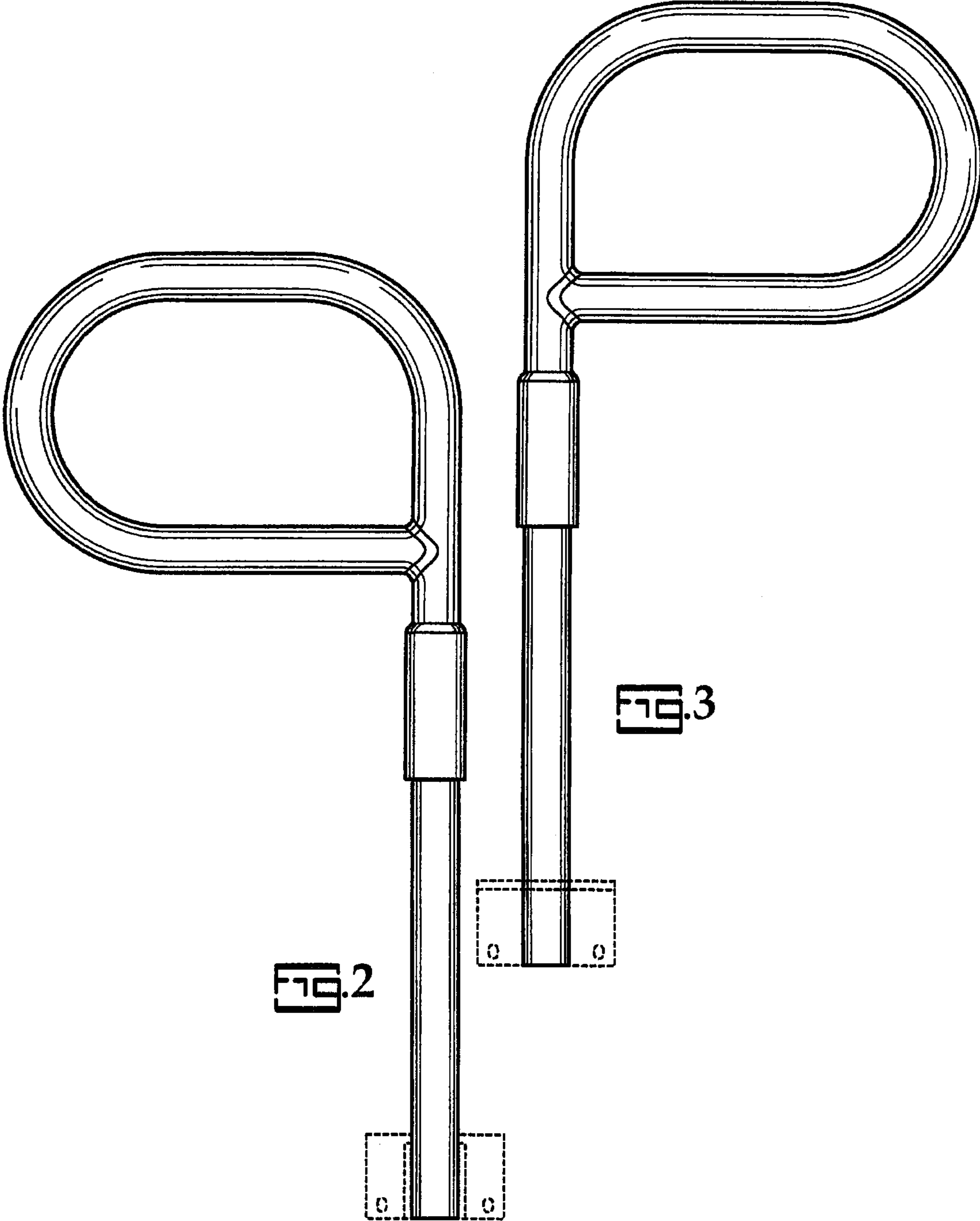


FIG. 1



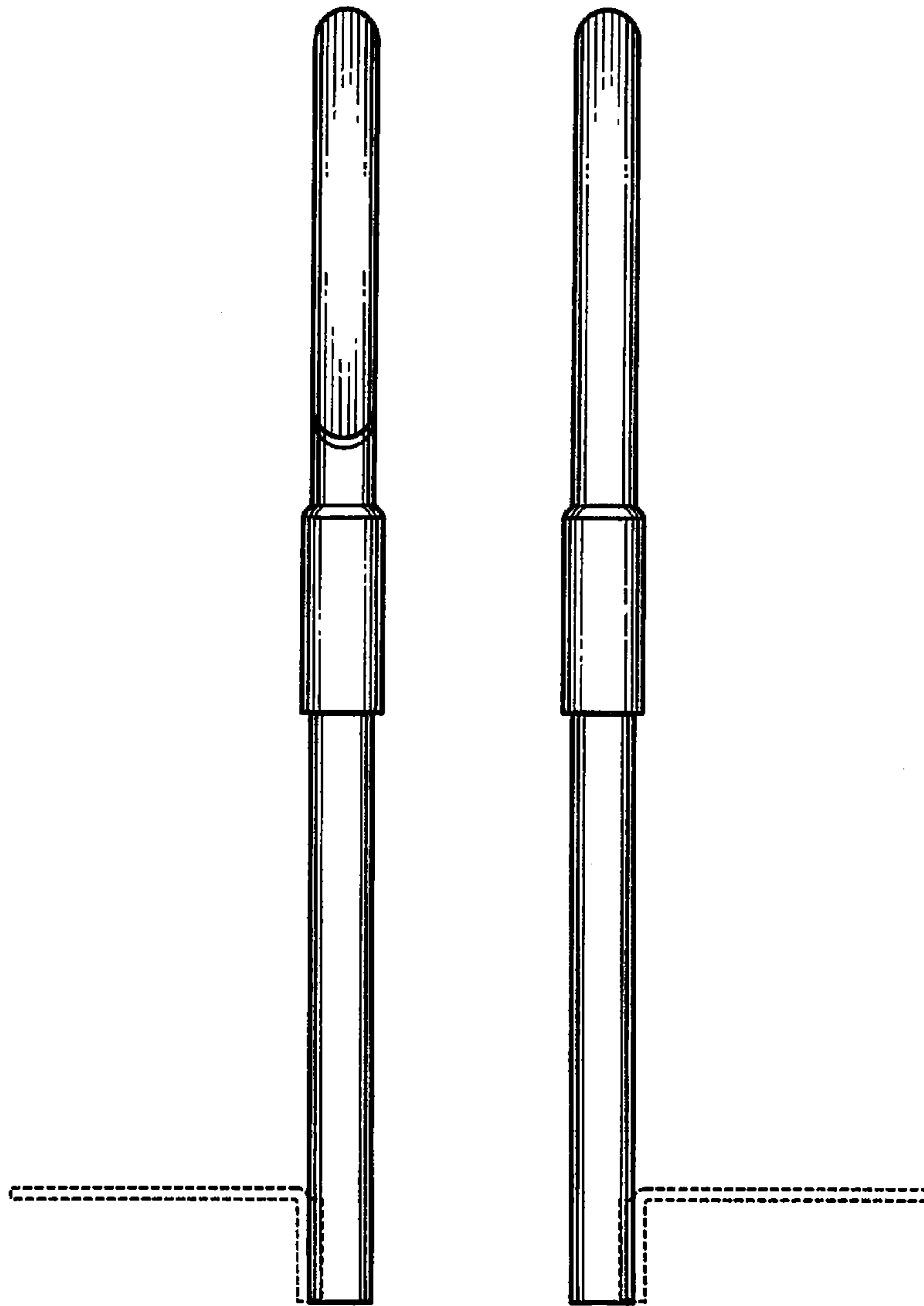


FIG. 4

FIG. 5

