



US00D685103S

(12) **United States Design Patent**  
**Ton**

(10) **Patent No.:** **US D685,103 S**

(45) **Date of Patent:** **\*\* \*Jun. 25, 2013**

(54) **PEDICURE SPA**

(76) Inventor: **Quy That Ton**, Baton Rouge, LA (US)

(\* ) Notice: This patent is subject to a terminal disclaimer.

(\*\*) Term: **14 Years**

(21) Appl. No.: **29/404,491**

(22) Filed: **Oct. 21, 2011**

(51) **LOC (9) Cl.** ..... **23-02**

(52) **U.S. Cl.**  
USPC ..... **D24/204**

(58) **Field of Classification Search**  
USPC ..... D24/200–205, 212, 213; D28/56,  
D28/61; D6/336, 495; 601/6, 15, 64, 157–158,  
601/30–32; 607/44; 4/622, 574.1  
See application file for complete search history.

(56) **References Cited**

**U.S. PATENT DOCUMENTS**

D450,390 S	*	11/2001	Tran	.....	D24/213
D564,099 S	*	3/2008	Ton	.....	D24/204
D571,018 S	*	6/2008	Ton et al.	.....	D24/204
D571,961 S	*	6/2008	Nguyen	.....	D28/56
D588,707 S	*	3/2009	Mai et al.	.....	D24/213
D600,815 S	*	9/2009	Ton	.....	D24/204
D616,560 S	*	5/2010	Cong	.....	D24/204

D621,519 S	*	8/2010	Ton	.....	D24/204
D621,945 S	*	8/2010	Ton	.....	D24/204
D622,858 S	*	8/2010	Jan	.....	D24/204
D635,786 S	*	4/2011	Ton	.....	D6/336
D640,387 S	*	6/2011	Tran	.....	D24/204
D641,485 S	*	7/2011	Mai	.....	D24/204

\* cited by examiner

*Primary Examiner* — David Muller

(74) *Attorney, Agent, or Firm* — Minh N. Nguyen, Esq.;  
Next IP Law Group LLP

(57) **CLAIM**

The ornamental design for a pedicure spa, as shown and described.

**DESCRIPTION**

FIG. 1 is a perspective view showing the front, left side and top views of my new pedicure spa showing my new design; FIG. 2 is perspective view showing the rear, right side and top views thereof;

FIG. 3 is a top plan view thereof;

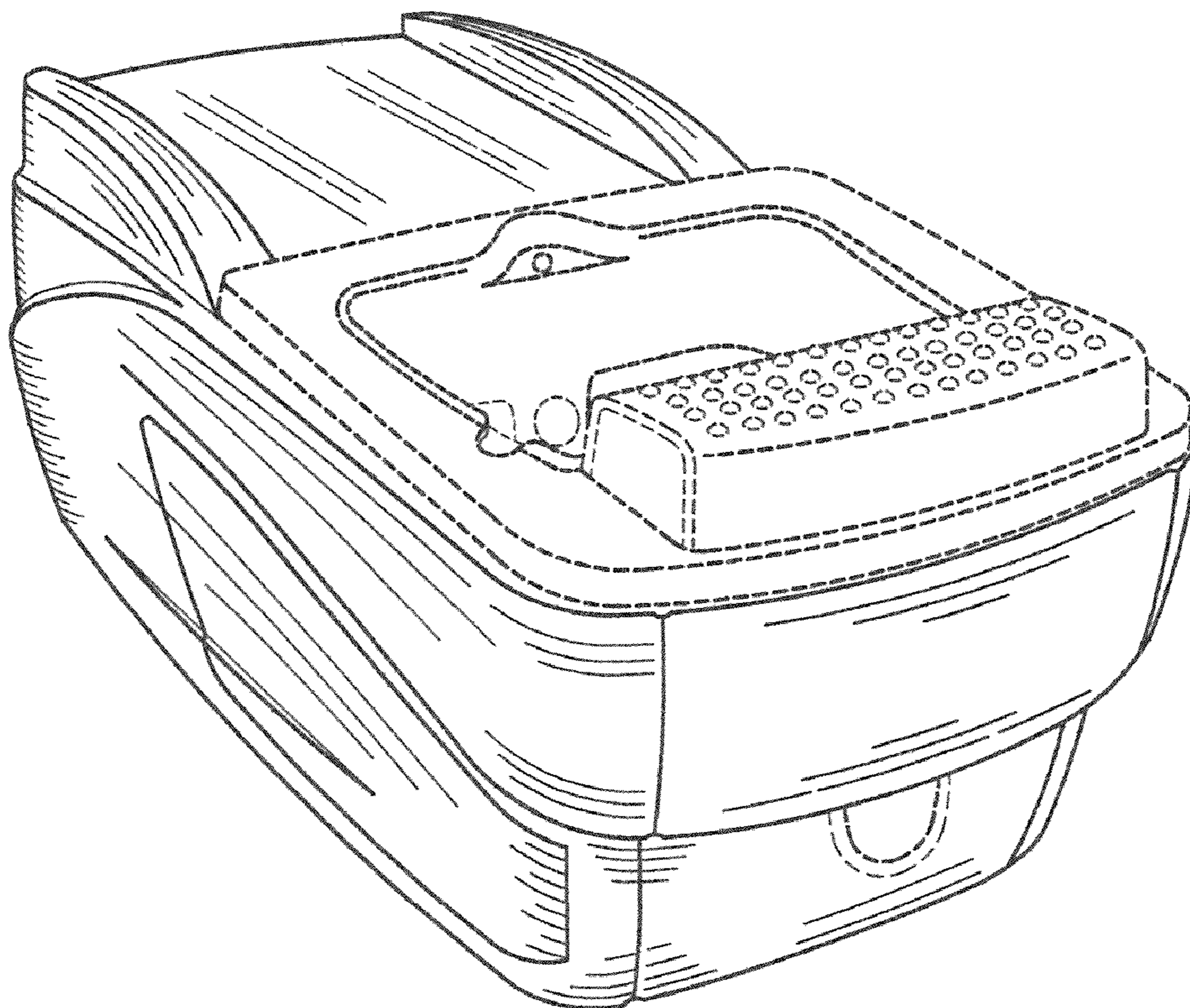
FIG. 4 is a left side elevation view thereof;

FIG. 5 is a front elevation view thereof; and,

FIG. 6 is a rear elevation view thereof.

The broken line showing of parts of the drawings is included for the purpose of illustrating use and environment and forms not part of the claims.

**1 Claim, 3 Drawing Sheets**



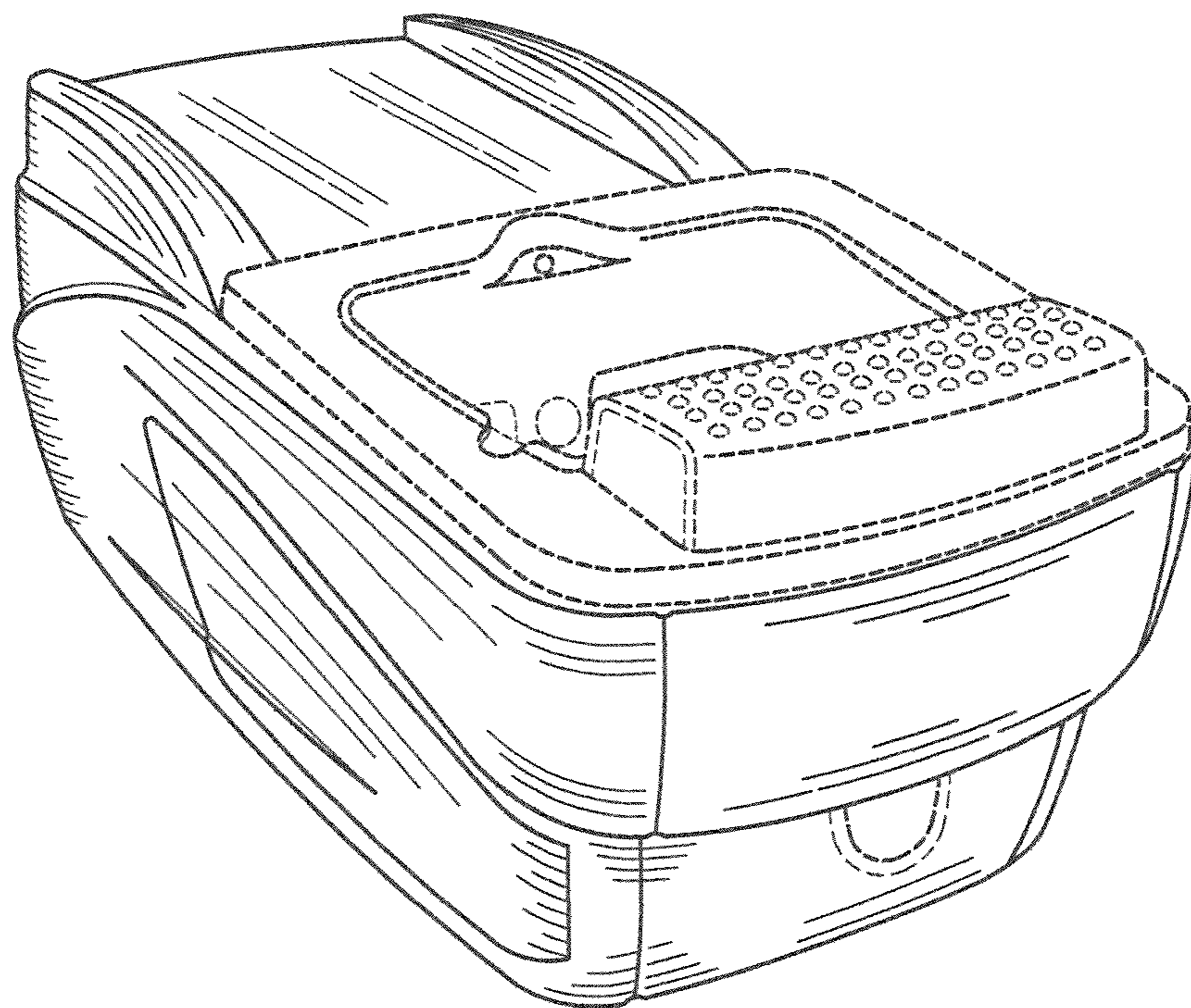


FIG. 1

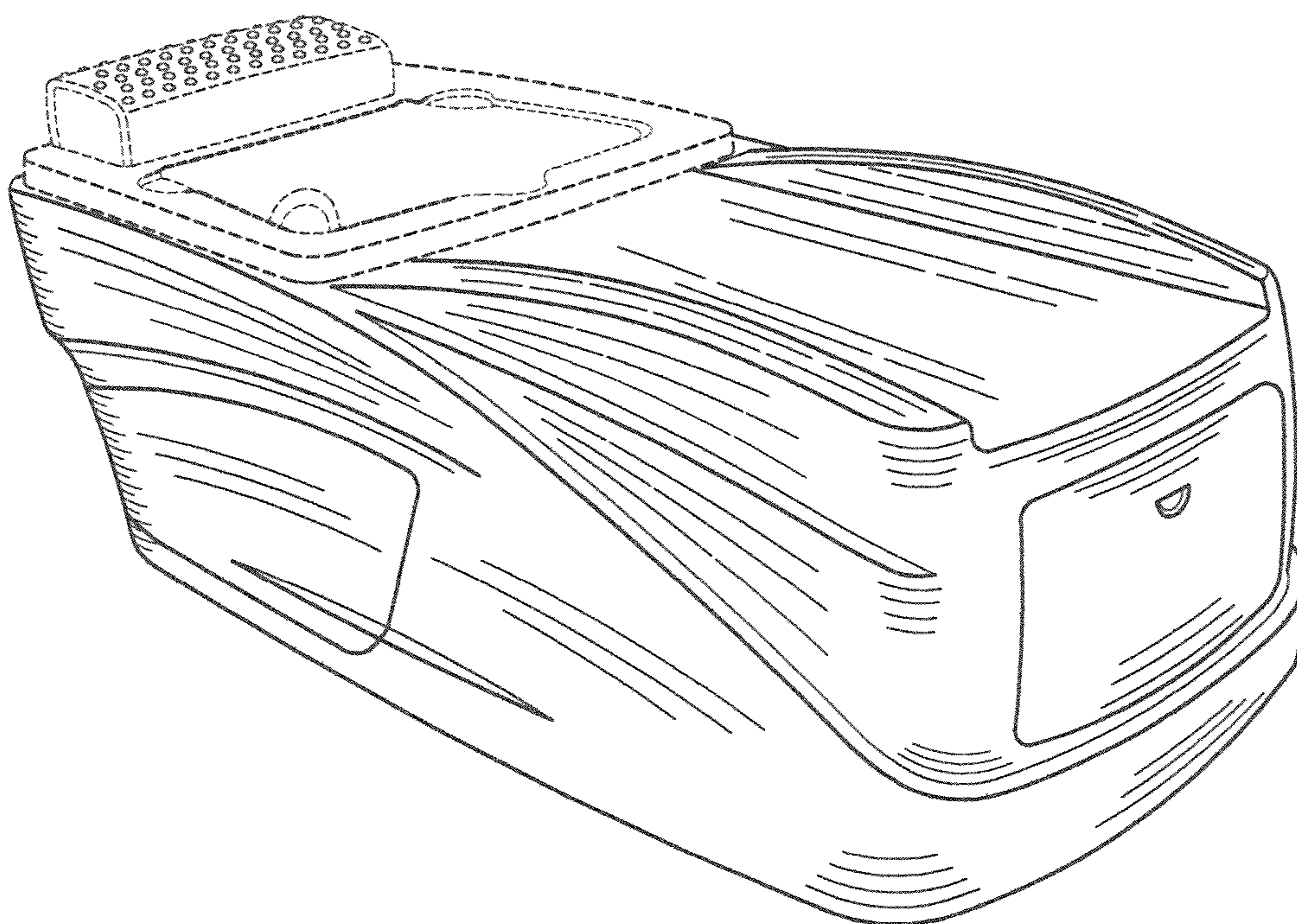


FIG. 2

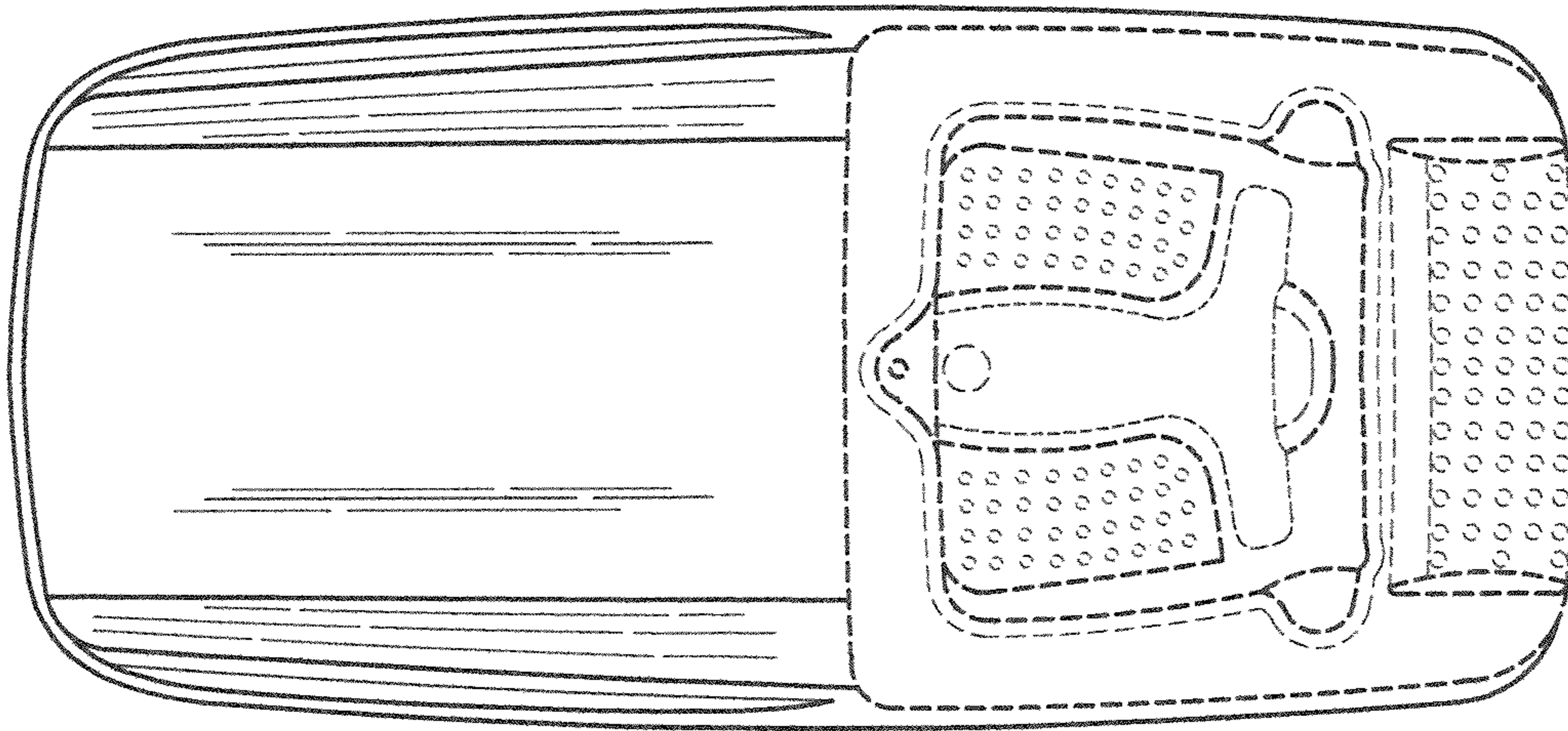


FIG. 3

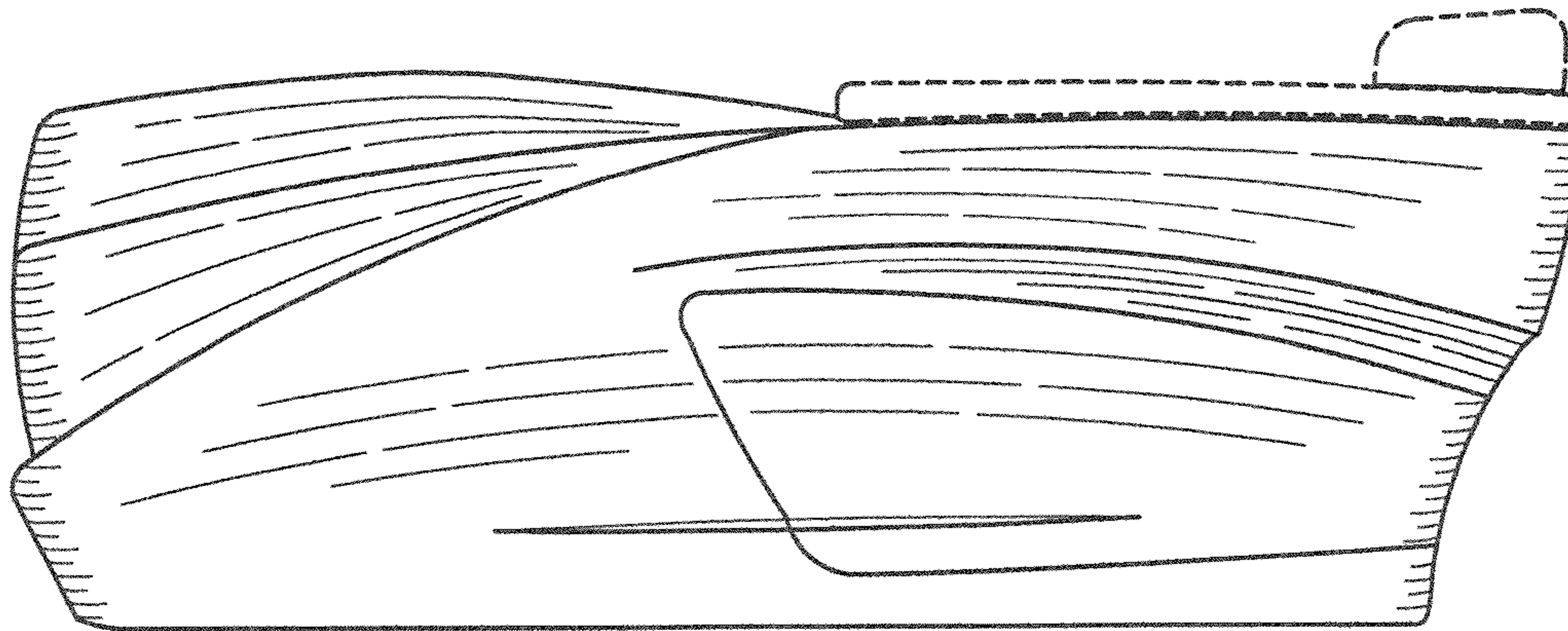


FIG. 4

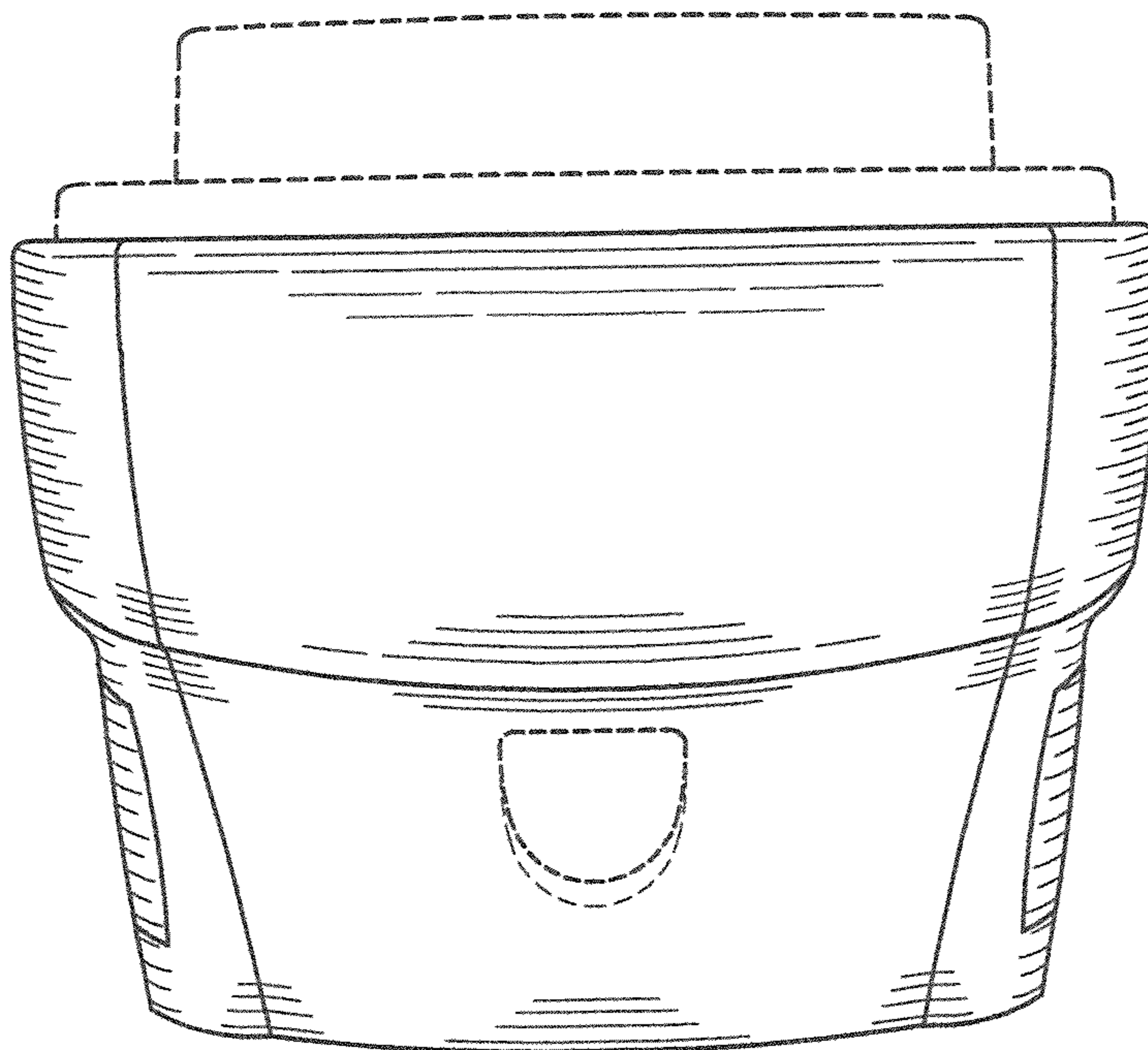


FIG. 5

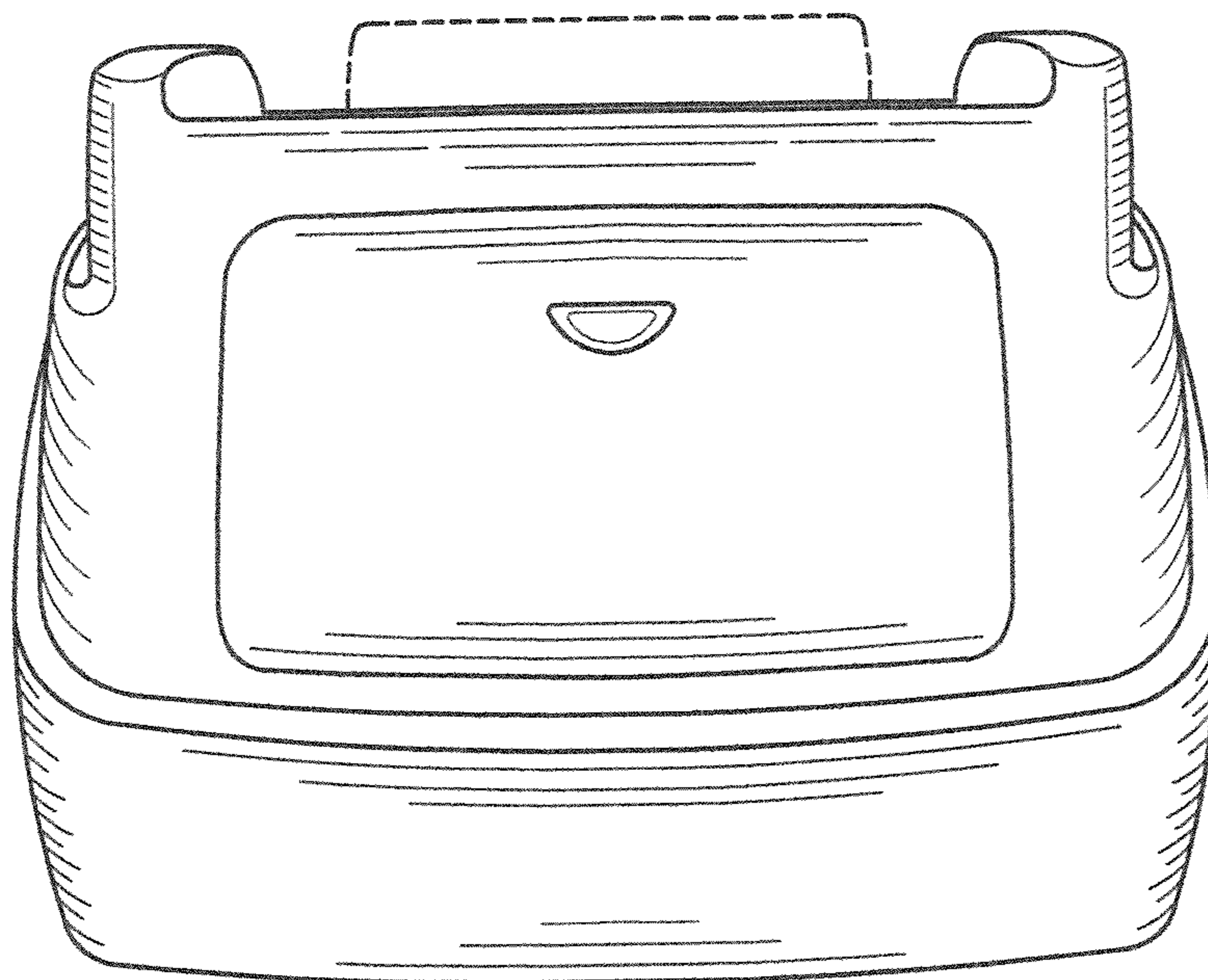


FIG. 6