



US00D685102S

(12) **United States Design Patent**  
**Zack et al.**

(10) **Patent No.:** **US D685,102 S**  
(45) **Date of Patent:** **\*\* Jun. 25, 2013**

(54) **SAUNA EXTERIOR**

(75) Inventors: **Aaron Zack**, Overland Park, KS (US);  
**Doug Vandervalk**, Overland Park, KS  
(US); **Jasen Sappenfield**, Overland Park,  
KS (US)

(73) Assignee: **Sunlighten, Inc.**, Overland Park, KS  
(US)

(\*\*) Term: **14 Years**

(21) Appl. No.: **29/426,031**

(22) Filed: **Jun. 29, 2012**

**Related U.S. Application Data**

(63) Continuation-in-part of application No. 29/356,445,  
filed on Feb. 25, 2010, now Pat. No. Des. 663,855.

(51) **LOC (9) Cl.** ..... **23-02**

(52) **U.S. Cl.**  
USPC ..... **D24/203**

(58) **Field of Classification Search**  
USPC ..... D24/201–205; 4/524, 526, 528, 531,  
4/532; D25/138, 139, 150, 48.3  
See application file for complete search history.

(56) **References Cited**

**U.S. PATENT DOCUMENTS**

3,121,263 A \* 2/1964 Binner ..... D25/48.3  
D238,269 S \* 12/1975 Takimoto ..... D25/48.3  
D341,425 S \* 11/1993 Lee ..... D24/203  
D455,497 S \* 4/2002 Jensen et al. .... D24/203

D487,521 S \* 3/2004 Link ..... D25/138  
D528,664 S \* 9/2006 Lynch et al. .... D25/48.3  
D529,624 S \* 10/2006 Lynch et al. .... D25/48.3  
D537,956 S \* 3/2007 Schoen ..... D25/48.3  
D553,756 S \* 10/2007 Davina et al. .... D25/48.3  
D564,103 S \* 3/2008 Meyer et al. .... D25/48.3  
7,458,111 B2 \* 12/2008 Sappenfield et al. .... 4/524  
D588,710 S \* 3/2009 Walsh et al. .... D25/48.3  
D634,856 S \* 3/2011 Walsh et al. .... D25/48.3

\* cited by examiner

*Primary Examiner* — David Muller

(74) *Attorney, Agent, or Firm* — Shook Hardy & Bacon LLP

(57) **CLAIM**

The ornamental design for a sauna exterior, as shown and described.

**DESCRIPTION**

FIG. 1 is a top left side exterior perspective view of the sauna of the present invention;

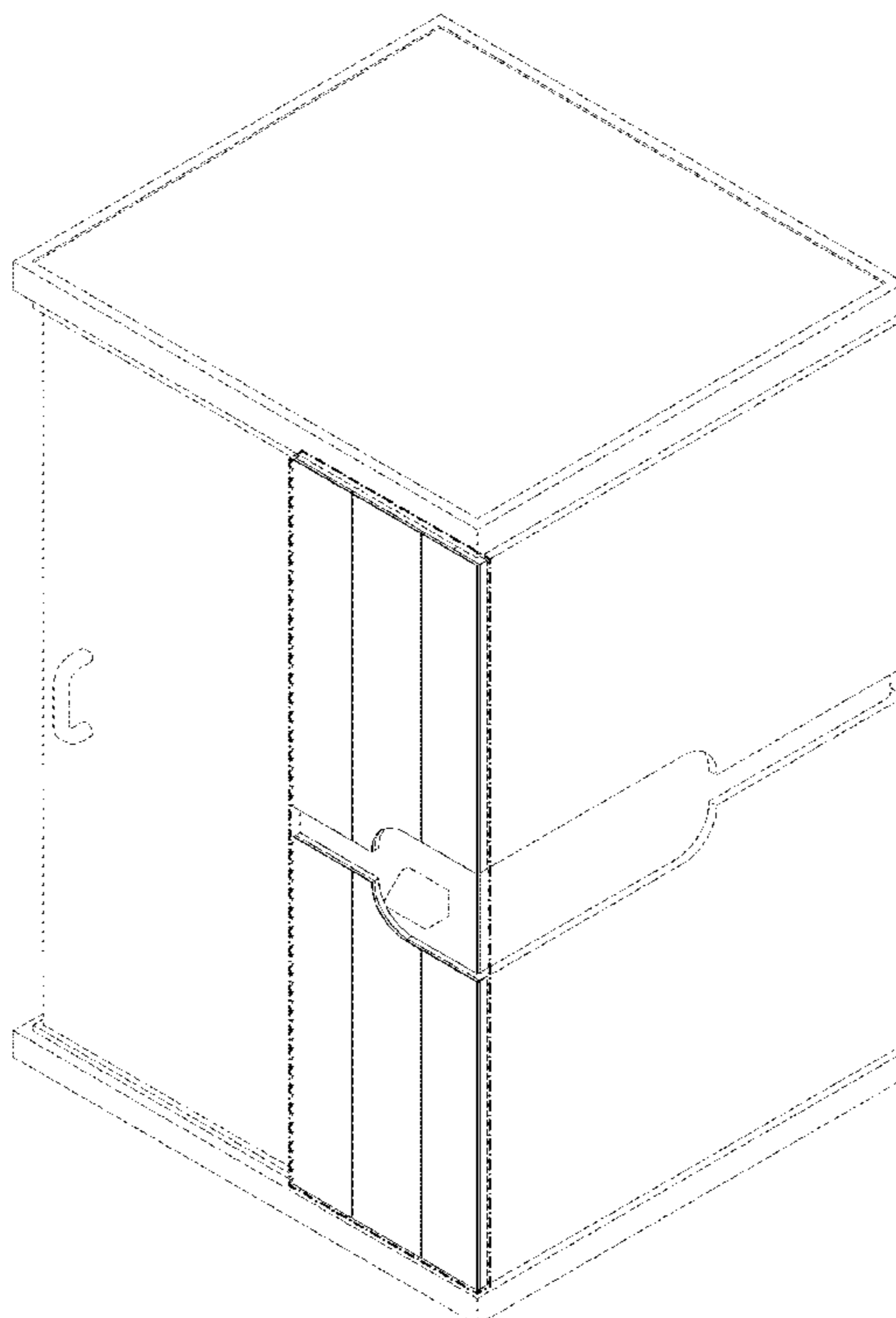
FIG. 2 is a front exterior elevation view thereof; and,

FIG. 3 is a left exterior elevation view thereof.

The long and short broken lines are boundary lines which define the bounds of the claimed design. These boundaries do not exist in reality in the article embodying the design. It is understood that the claimed design extends to these boundaries but do not include the boundaries.

The broken lines shown in the drawings are directed to environment, are for informational purposes only, and form no part of the claimed design.

**1 Claim, 2 Drawing Sheets**



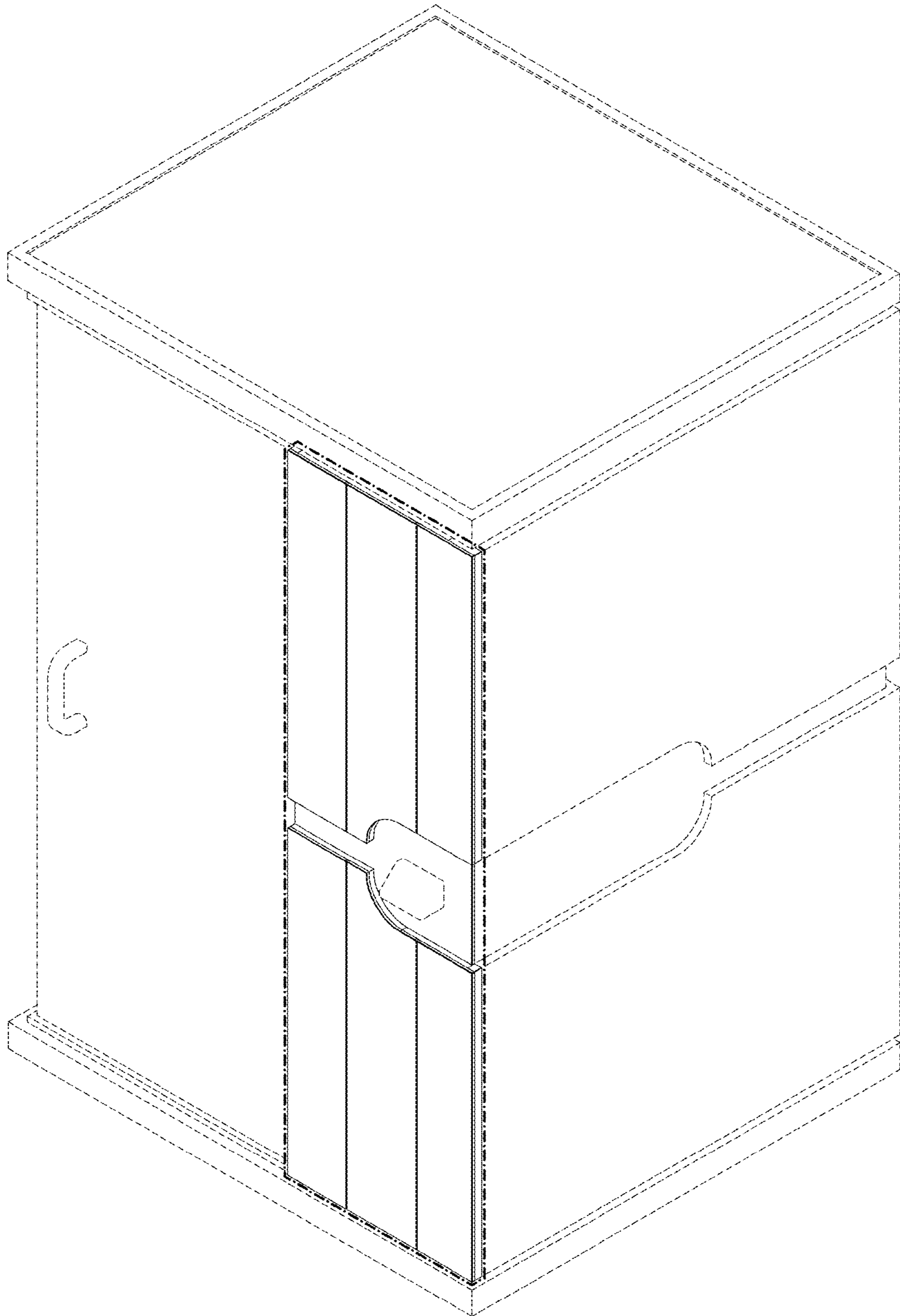


FIG. 1

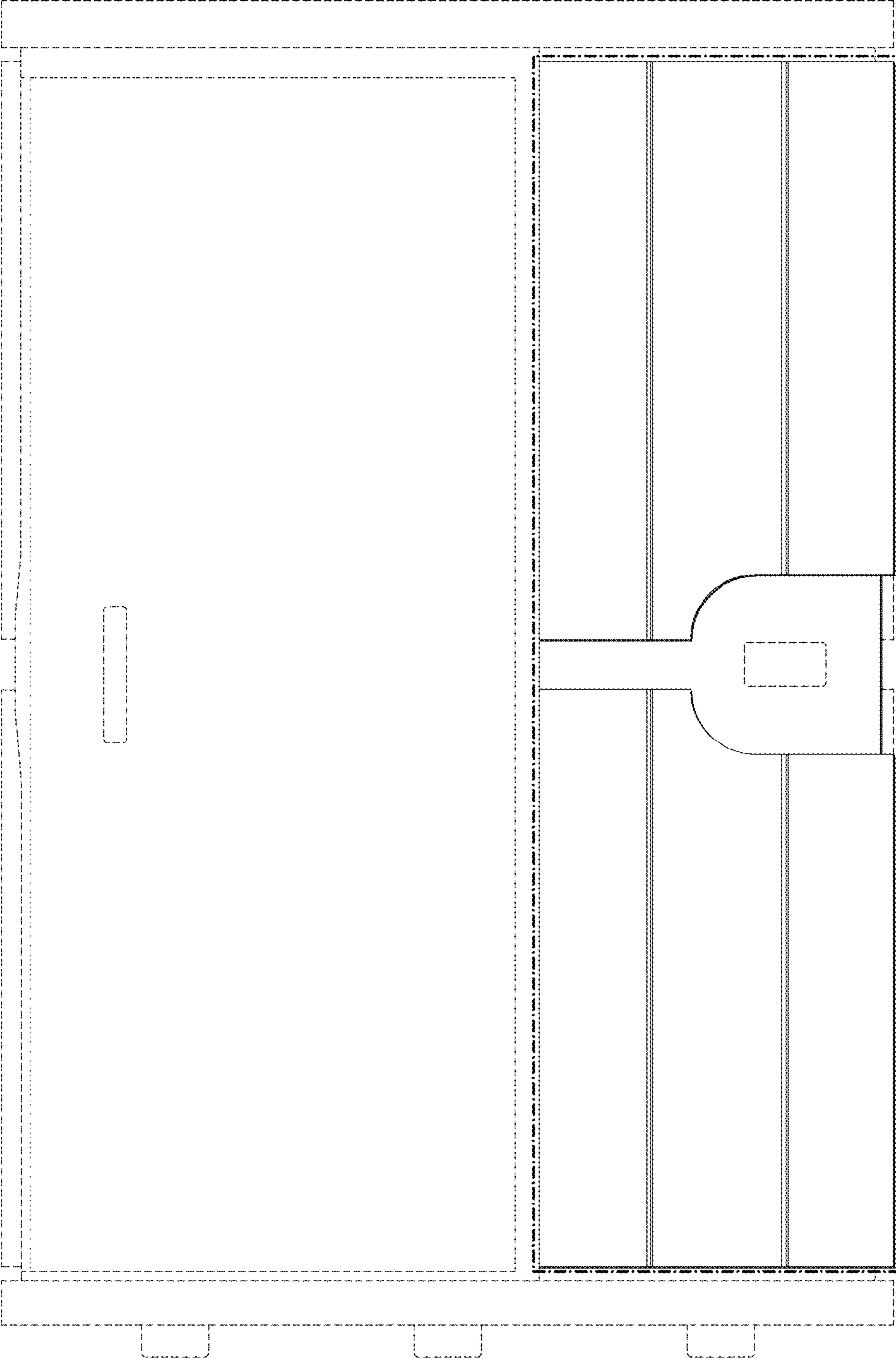


FIG. 2