



US00D685099S

(12) **United States Design Patent**
Magoteaux et al.

(10) **Patent No.:** **US D685,099 S**
(45) **Date of Patent:** **** Jun. 25, 2013**

(54) **EXAMINATION TABLE**

(75) Inventors: **Scott Magoteaux**, Versailles, OH (US);
George Chow, Columbus, OH (US);
Ryan Berger, Columbus, OH (US);
Rainer Teufel, Worthington, OH (US)

(73) Assignee: **Midmark Corporation**, Versailles, OH (US)

(**) Term: **14 Years**

(21) Appl. No.: **29/369,513**

(22) Filed: **Sep. 9, 2010**

(51) **LOC (9) Cl.** **24-01**

(52) **U.S. Cl.**
USPC **D24/183**

(58) **Field of Classification Search**
USPC D24/183-184, 200; D6/595-596,
D6/601, 604-605, 336-337; 5/110-111,
5/431-437, 490, 636-637, 639-640, 648,
5/620-624, 611-613; 601/11, 652-654; 108/36;
297/330

See application file for complete search history.

(56) **References Cited**

U.S. PATENT DOCUMENTS

D300,657	S *	4/1989	Simpkins et al.	D24/183
D304,614	S *	11/1989	Guttormsen	D24/183
D403,772	S *	1/1999	Fanuzzi	D24/183
D418,225	S *	12/1999	Simpkins et al.	D24/183
6,106,065	A *	8/2000	Carroll	297/330
D436,176	S *	1/2001	Fanuzzi	D24/183
D461,899	S *	8/2002	Siepmann et al.	D24/183
D462,189	S *	9/2002	Brockway et al.	D6/367
D463,563	S *	9/2002	Schoenig et al.	D24/183
D487,360	S *	3/2004	Lacina	D6/367
D495,510	S *	9/2004	Lacina	D6/336
D496,462	S *	9/2004	Walters et al.	D24/183
D553,379	S *	10/2007	Genelli	D6/367
7,386,899	B2 *	6/2008	Smith	5/624

D574,959	S *	8/2008	DeBraul et al.	D24/183
D578,787	S *	10/2008	Genelli	D6/367
D583,953	S *	12/2008	Genelli	D24/183
D583,954	S *	12/2008	Genelli	D24/183
7,845,033	B2 *	12/2010	DeBraul et al.	5/611
D636,493	S *	4/2011	Teufel	D24/183
2003/0071503	A1 *	4/2003	Brockway et al.	297/330
2005/0081294	A1 *	4/2005	Wolters	5/613

* cited by examiner

Primary Examiner — T. Chase Nelson

Assistant Examiner — Mark Cavanna

(74) *Attorney, Agent, or Firm* — Wood, Herron & Evans, LLP

(57) **CLAIM**

The ornamental design for an examination table, as shown and described.

DESCRIPTION

FIG. 1 is a perspective view of our new, original, and ornamental design for an examination table with the disclaimed upper portion shown in an upright position.

FIG. 2 is another perspective view thereof with the disclaimed upper portion shown in a lower position.

FIG. 3 is a front view thereof.

FIG. 4 is a side view thereof in a first position, the other side view being a mirror image of FIG. 4.

FIG. 5 is a side view of the examination table shown in a use condition in a raised position, the other side view being a mirror image of FIG. 5.

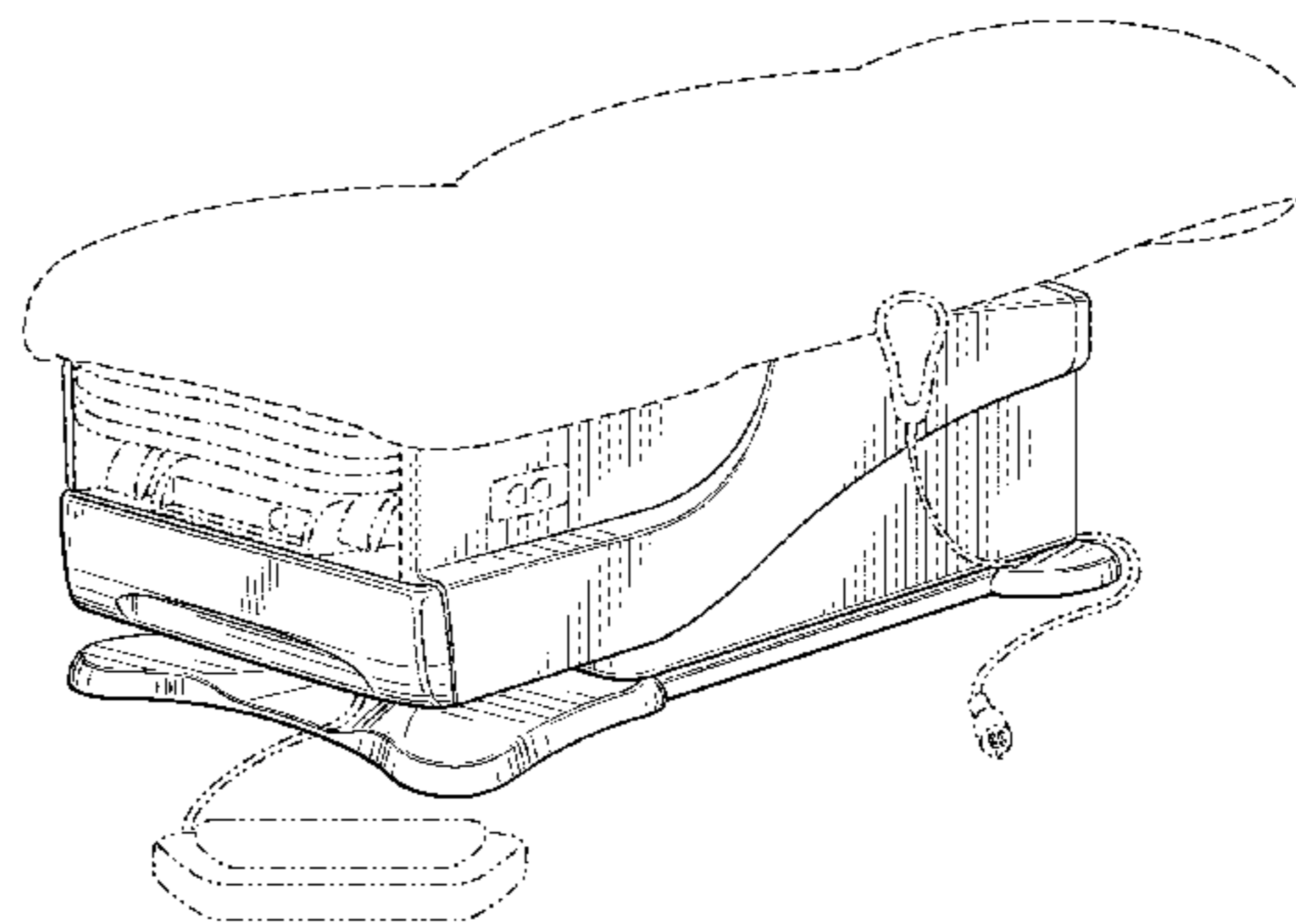
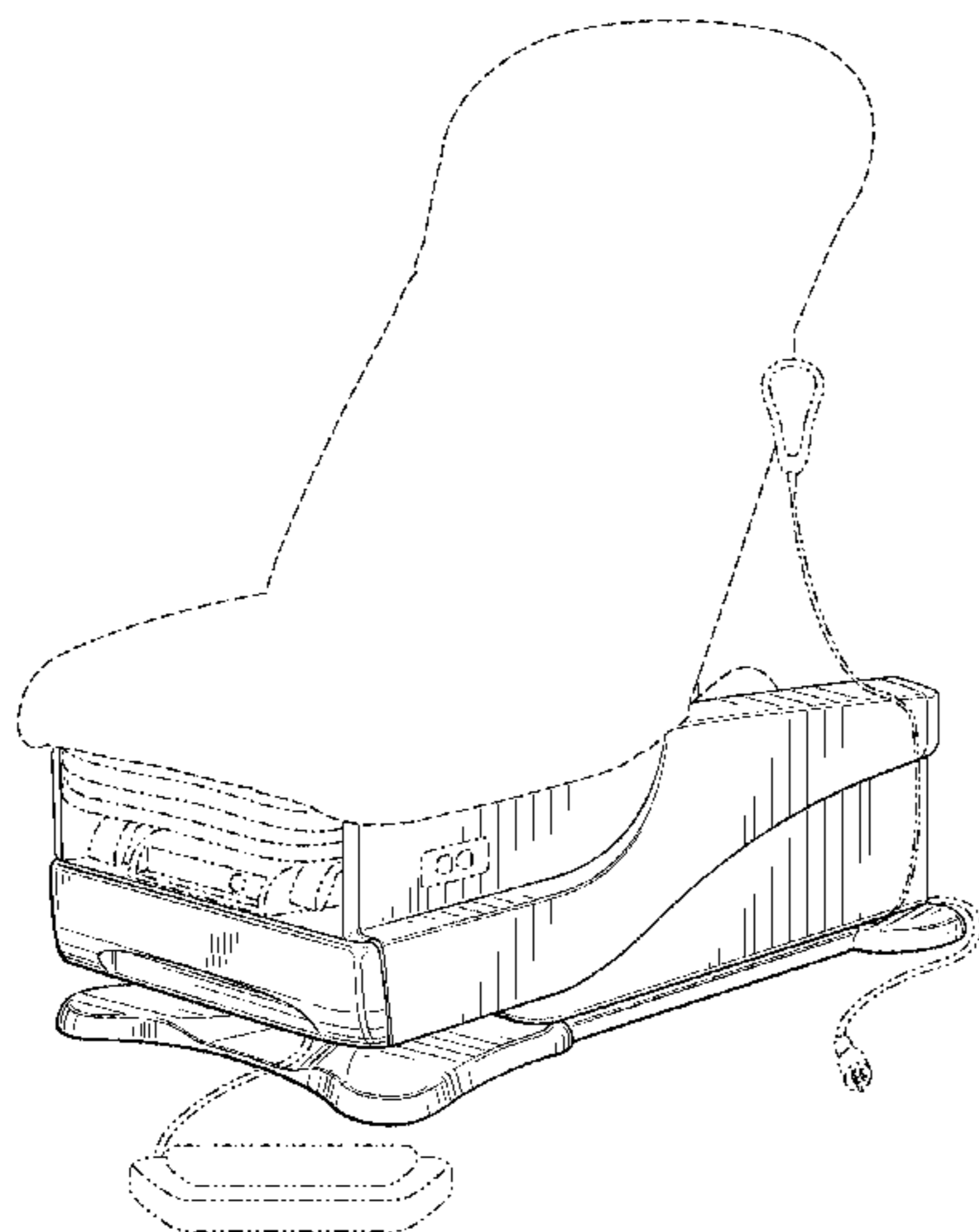
FIG. 6 is a rear view thereof.

FIG. 7 is a top view thereof; and,

FIG. 8 is a bottom view thereof.

The broken lines are included for the purpose of illustrating unclaimed portions of the examination table and form no part of the claimed design. Any portion of the examination table not shown in the drawings forms no part of the claimed design.

1 Claim, 6 Drawing Sheets



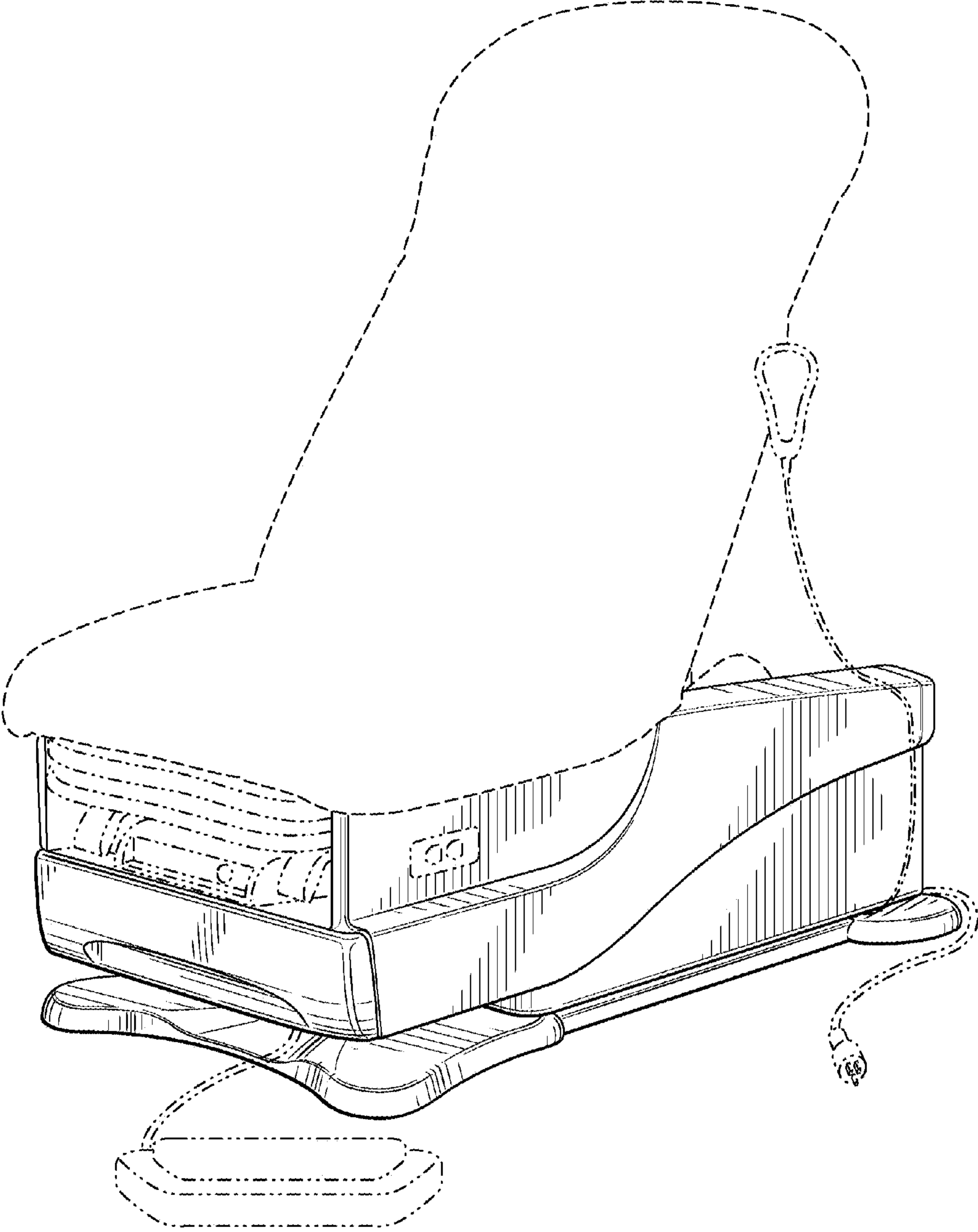


FIG. 1

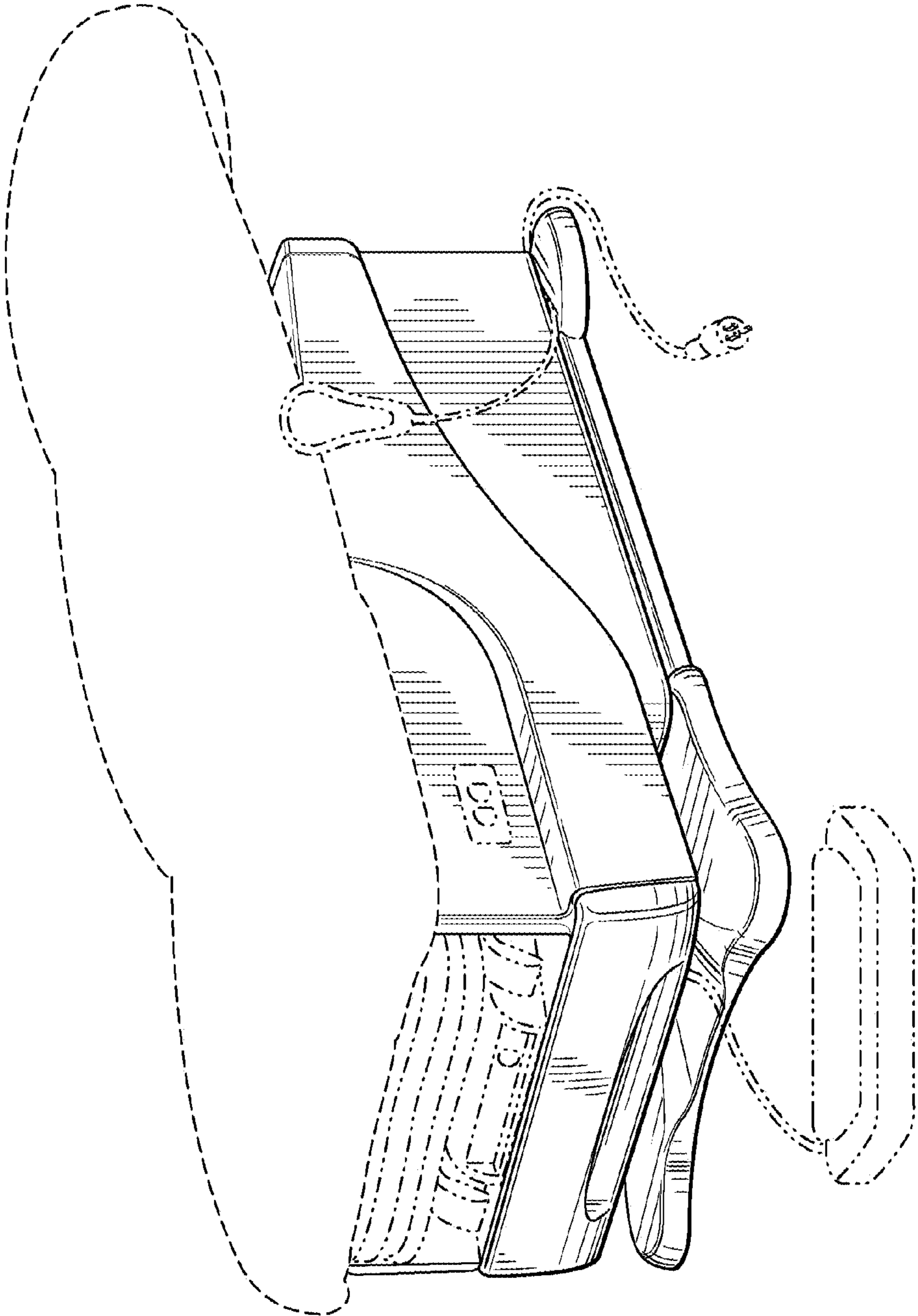


FIG. 2

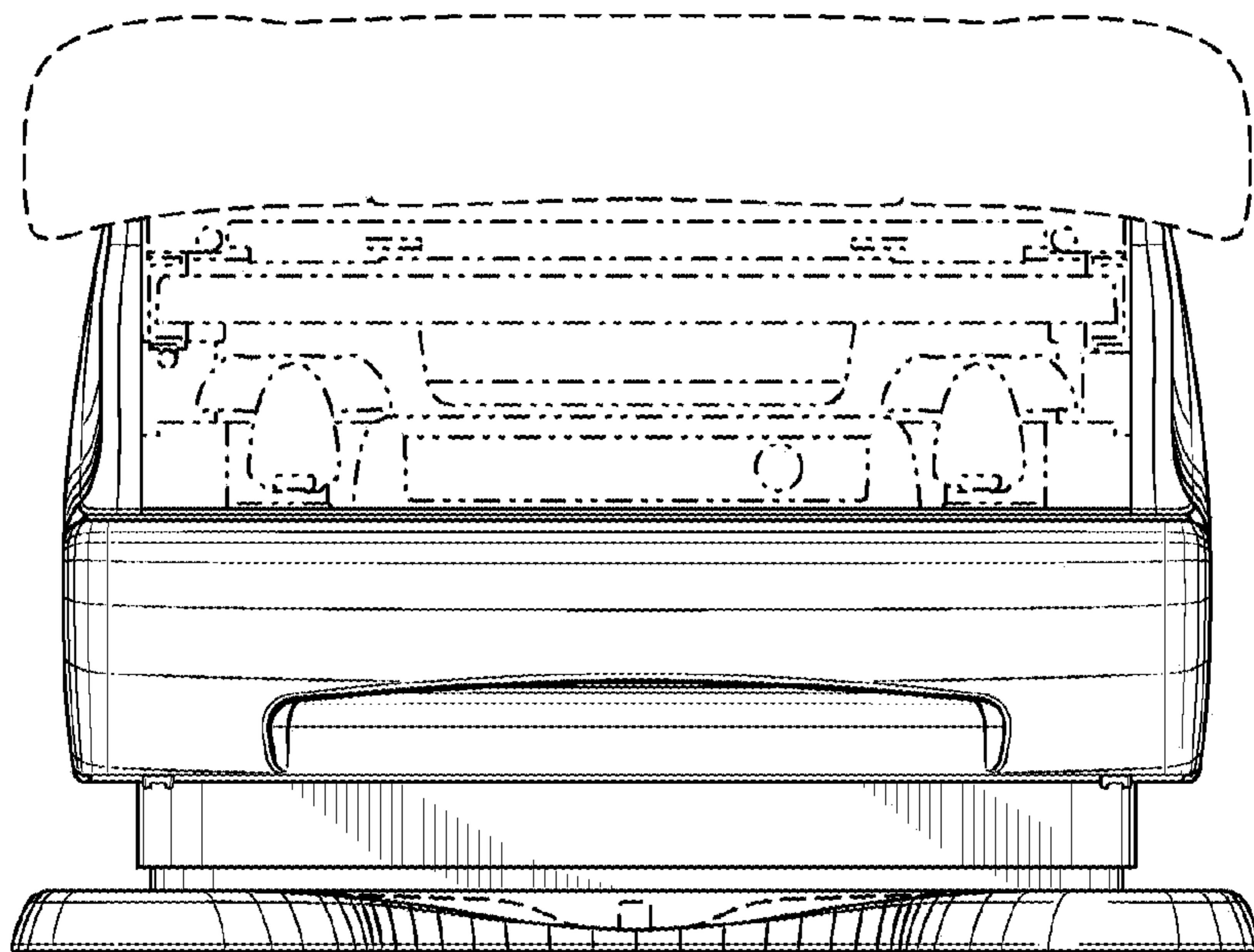


FIG. 3

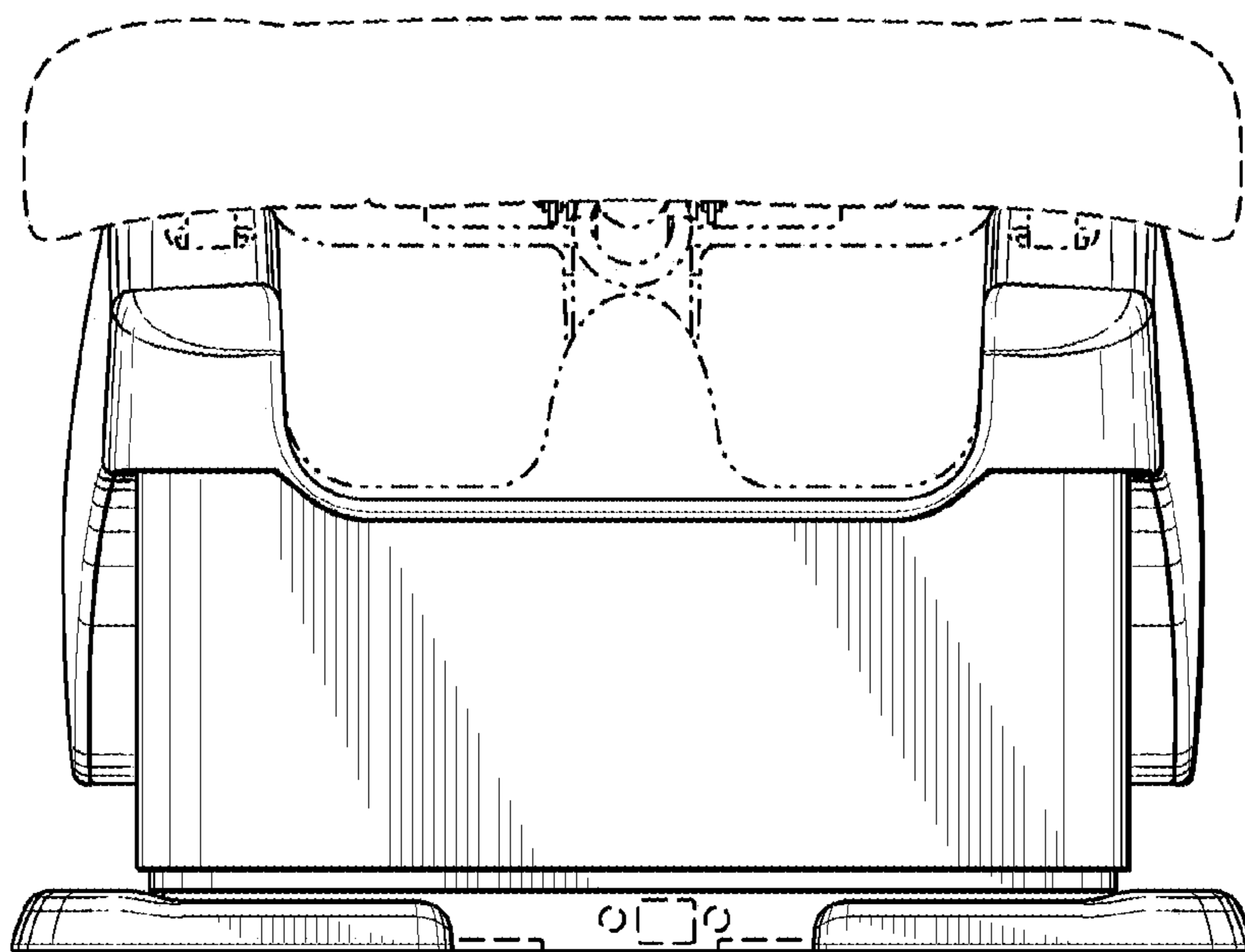


FIG. 6

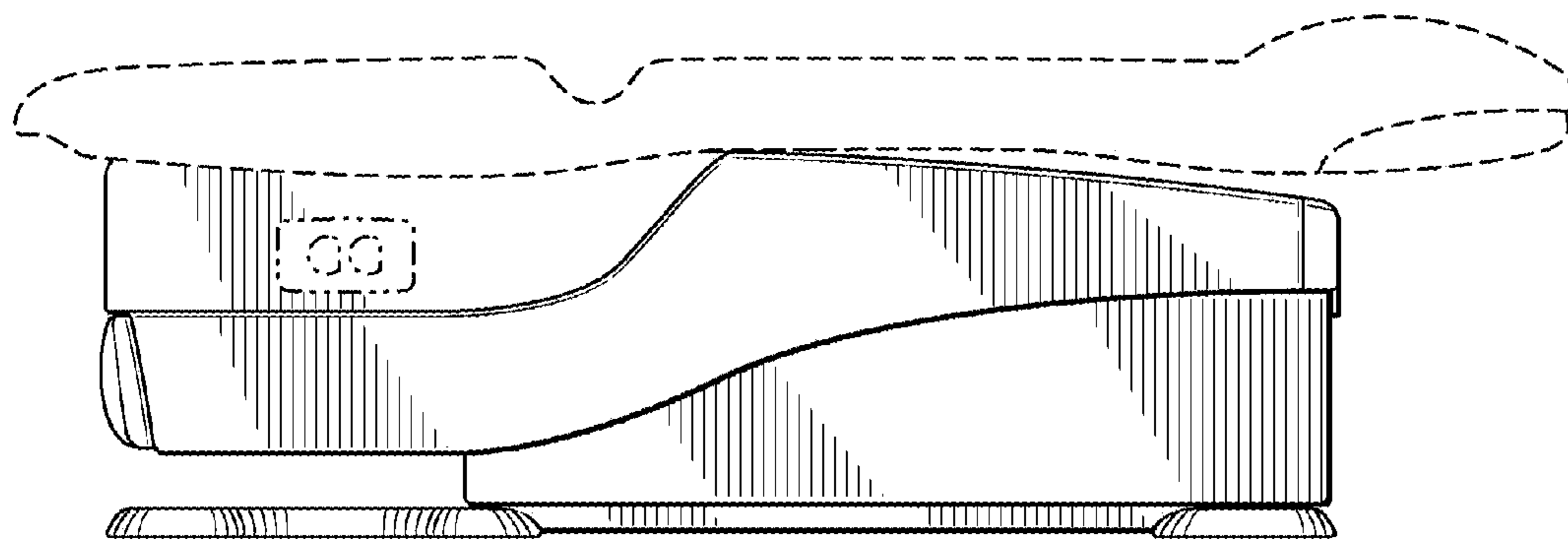


FIG. 4

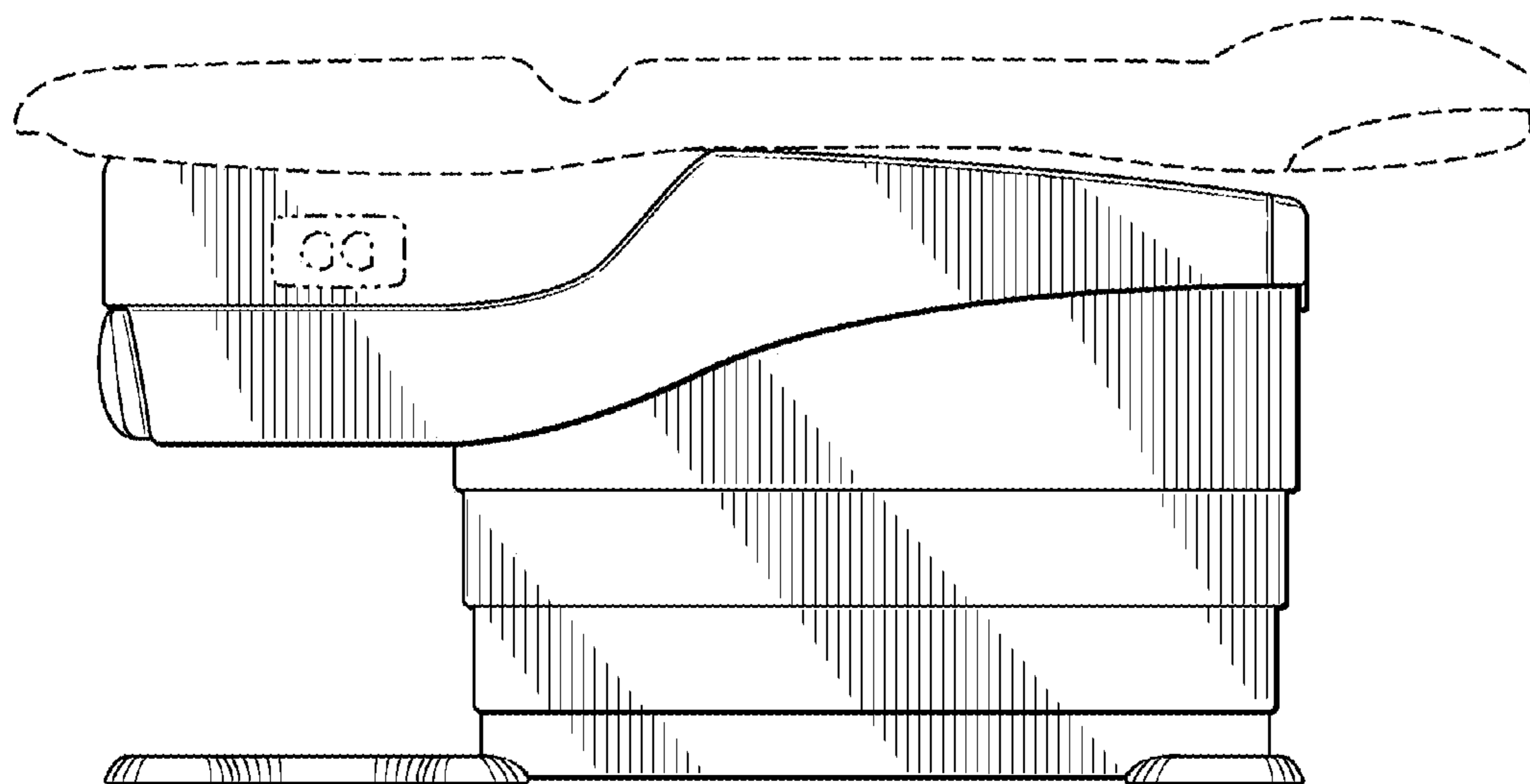


FIG. 5

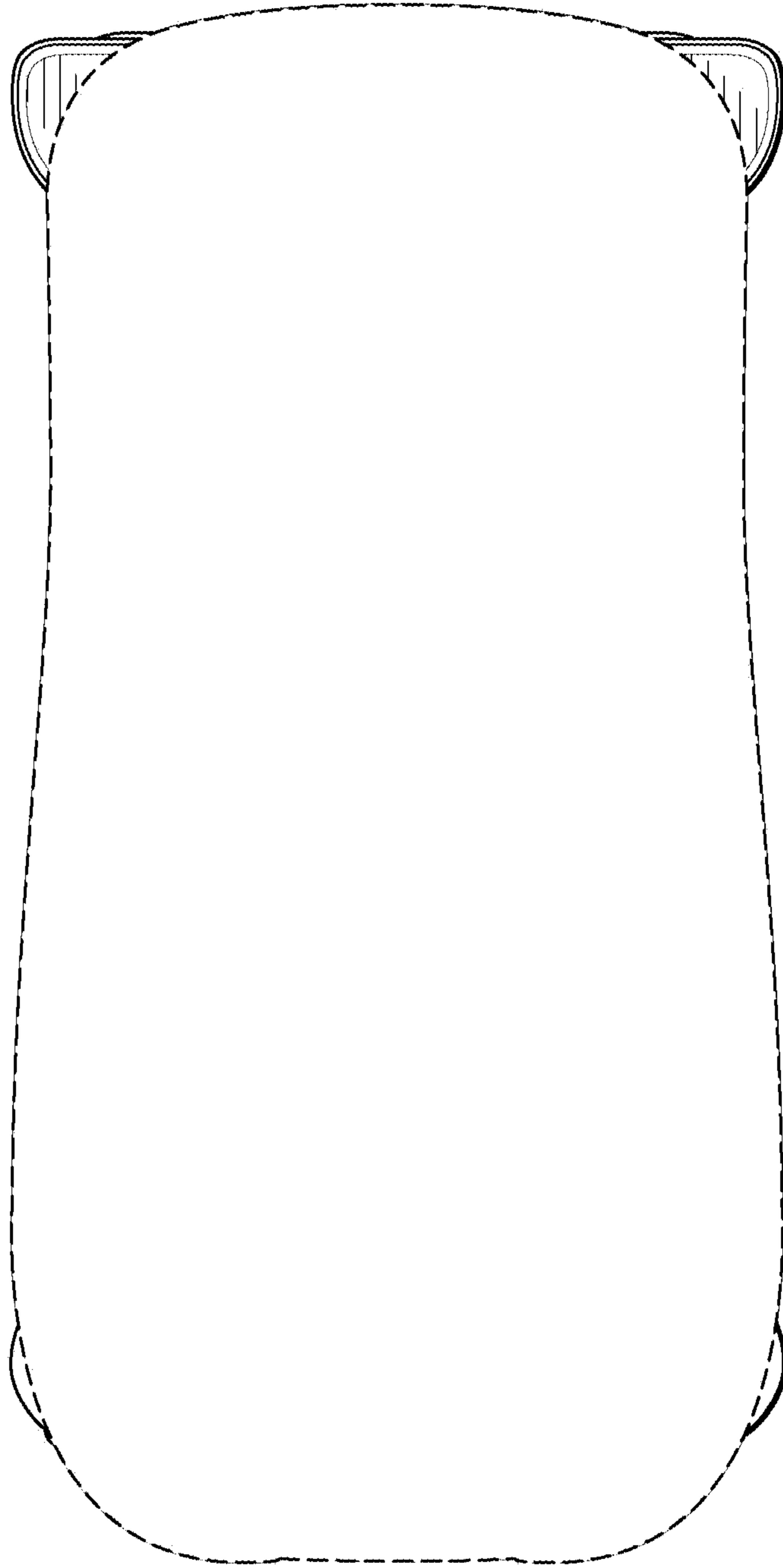


FIG. 7

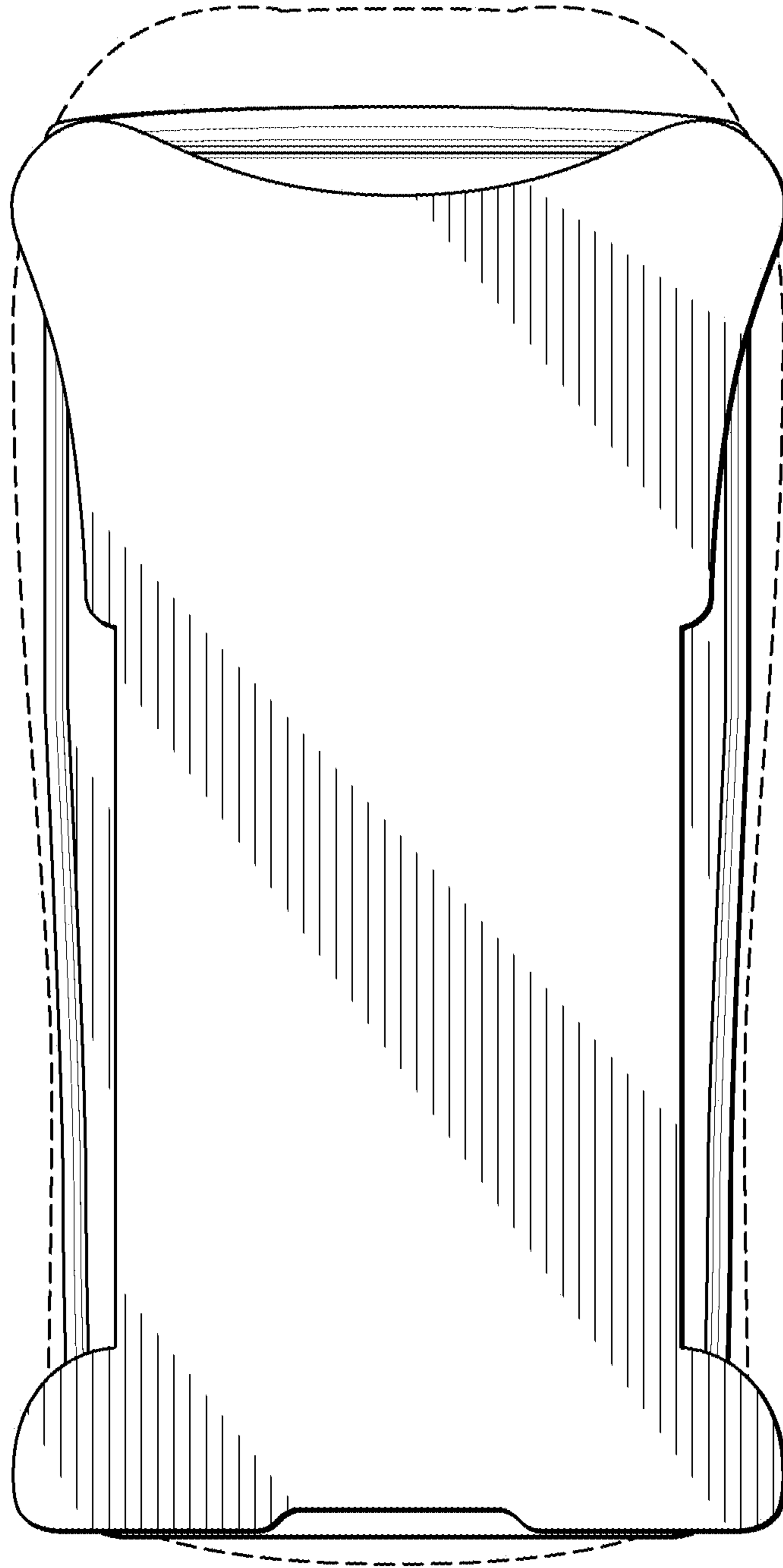


FIG. 8