



US00D685096S

(12) **United States Design Patent**
Scheiderbauer et al.

(10) **Patent No.:** **US D685,096 S**
(45) **Date of Patent:** **** Jun. 25, 2013**

(54) **CALIBRATION UNIT**

(75) Inventors: **Rolf Scheiderbauer**, Vikingstad (SE);
Magnus Svan, Lidingö (SE)

(73) Assignee: **SECTRA Aktiebolag**, Linköping (SE)

(**) Term: **14 Years**

(21) Appl. No.: **29/380,188**

(22) Filed: **Dec. 1, 2010**

(30) **Foreign Application Priority Data**

Oct. 14, 1920 (EM) 001768292-0001

(51) **LOC (9) Cl.** **24-01**

(52) **U.S. Cl.**
USPC **D24/171**

(58) **Field of Classification Search**
USPC D24/158, 140, 232, 171; 606/88,
606/87

See application file for complete search history.

(56) **References Cited**

U.S. PATENT DOCUMENTS

D329,618 S * 9/1992 Hollander et al. D10/52
8,313,530 B2 * 11/2012 Bhatnagar et al. 623/20.14
2012/0239045 A1 * 9/2012 Li 606/88

* cited by examiner

Primary Examiner — T. Chase Nelson

Assistant Examiner — Ania Aman

(74) *Attorney, Agent, or Firm* — Michael G. Johnston;
Moore & Van Allen PLLC

(57) **CLAIM**

The ornamental design for a calibration unit, as shown and described.

DESCRIPTION

FIG. 1 is a perspective view of a calibration unit showing my new design.

FIG. 2 is a left side elevation view of the calibration unit shown in FIG. 1 showing my new design.

FIG. 3 is a right side elevation view of the calibration unit shown in FIG. 1 showing my new design.

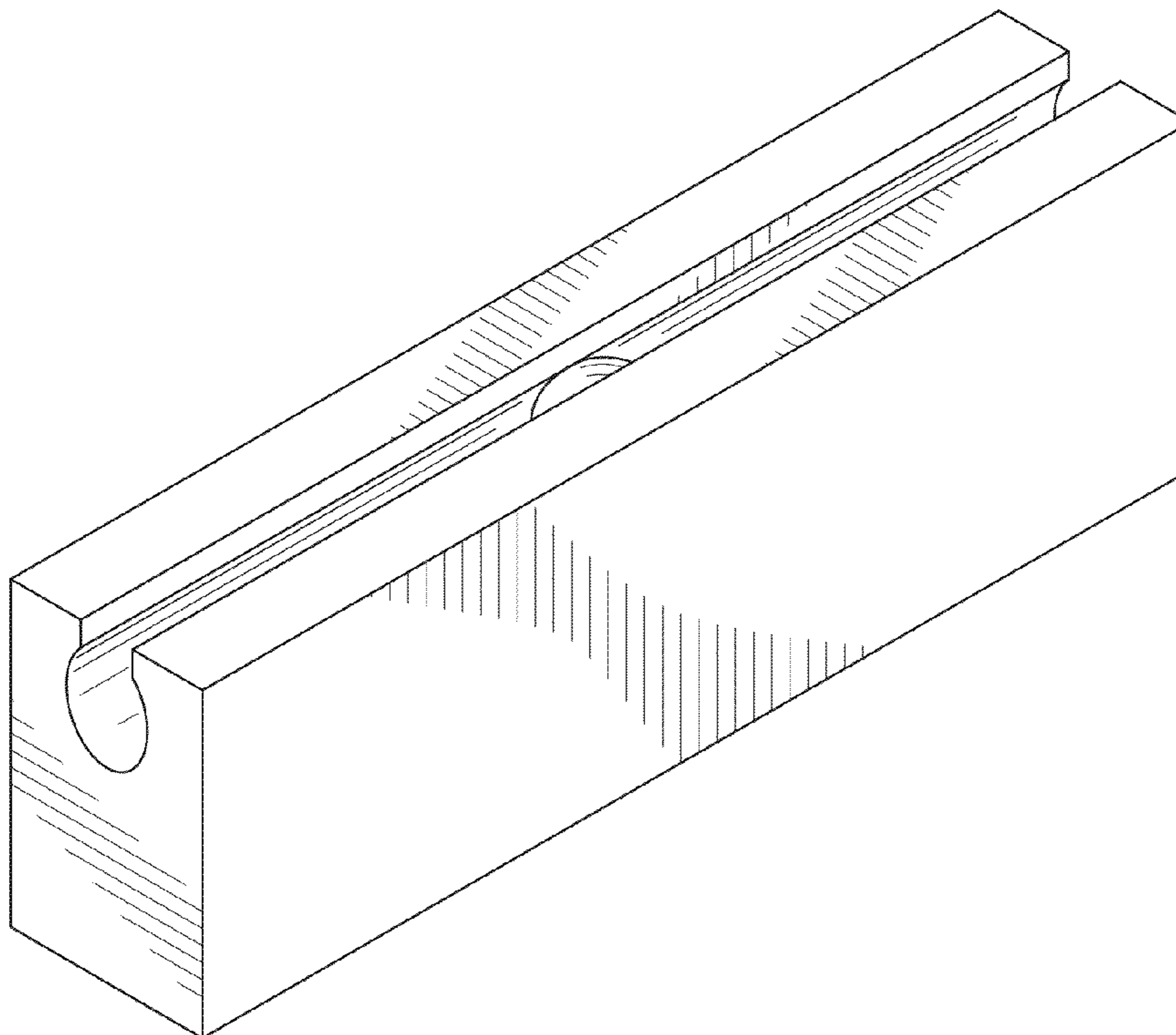
FIG. 4 is a top plan view of the calibration unit shown in FIG. 1 showing my new design.

FIG. 5 is a bottom plan view of the calibration unit shown in FIG. 1 showing my new design.

FIG. 6 is a front elevation view of the calibration unit shown in FIG. 1 showing my new design; and,

FIG. 7 is a rear elevation view of the calibration unit shown in FIG. 1 showing my new design.

1 Claim, 6 Drawing Sheets



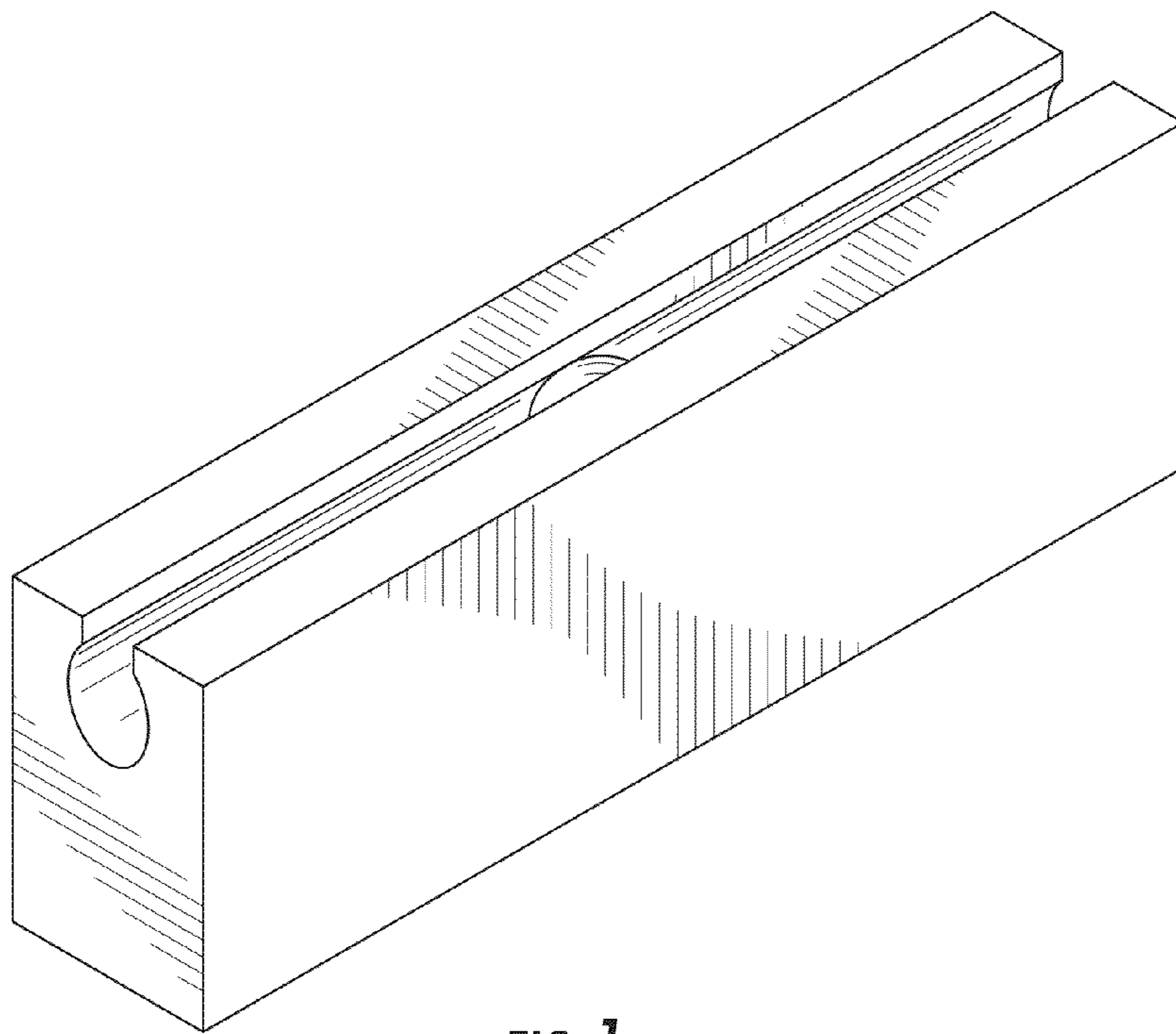


FIG. 1

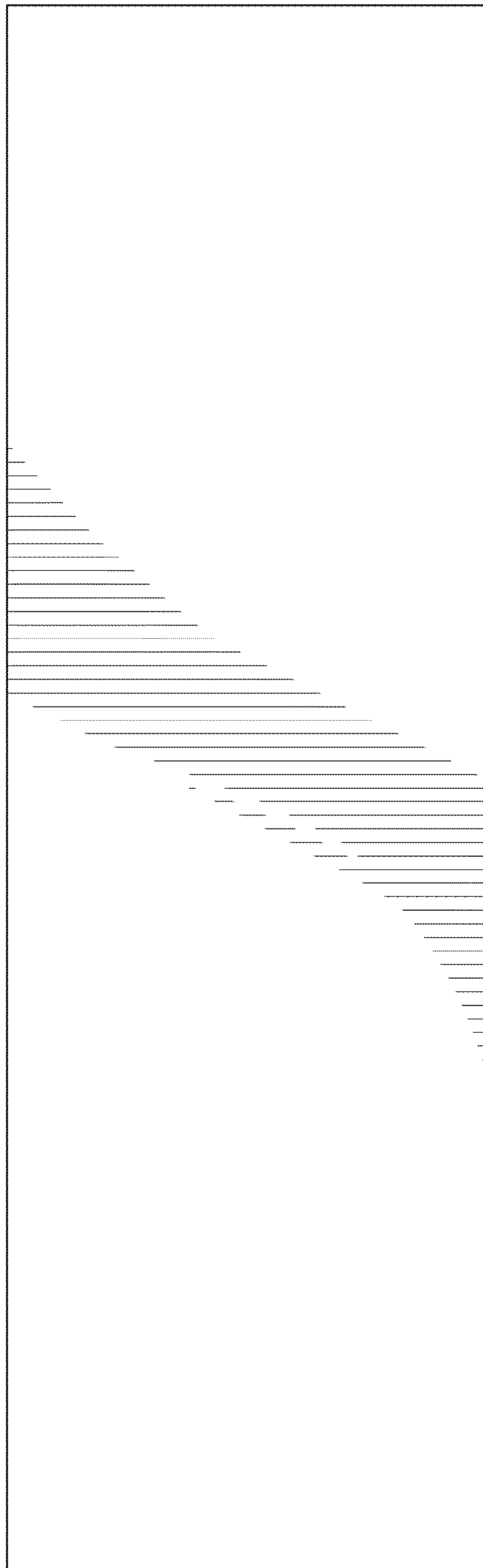


FIG. 2

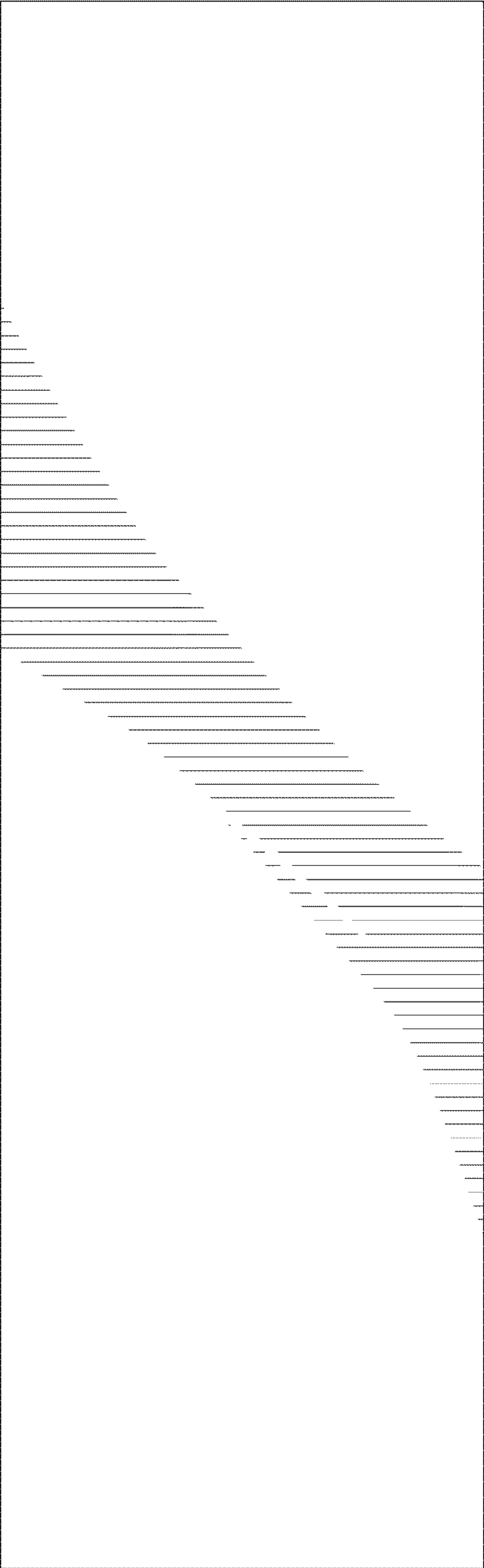


FIG. 3

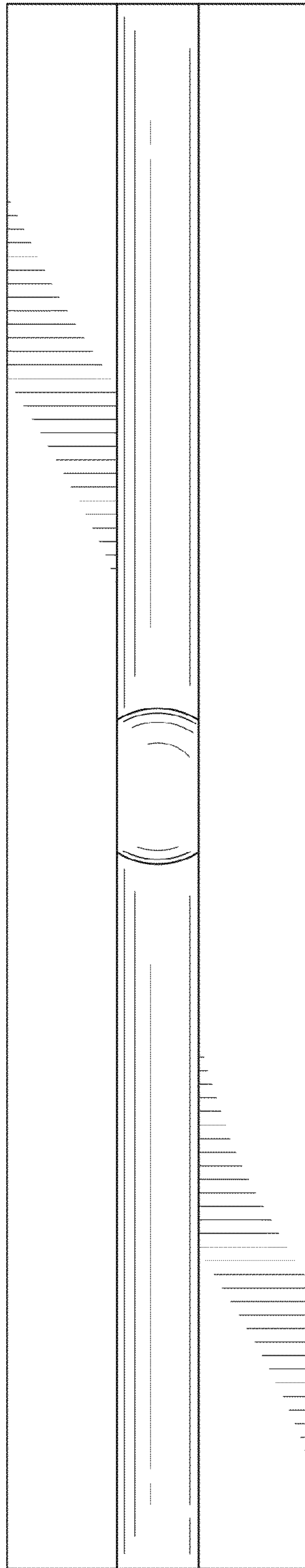


FIG. 4

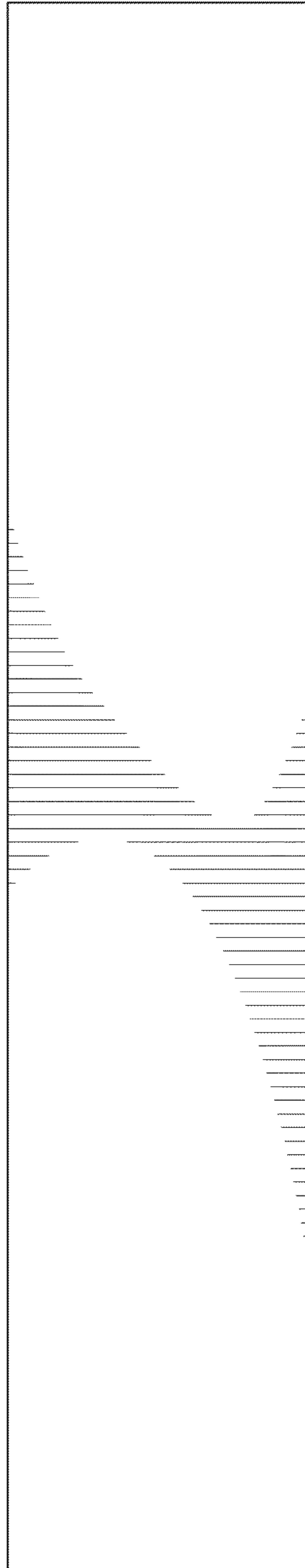


FIG. 5

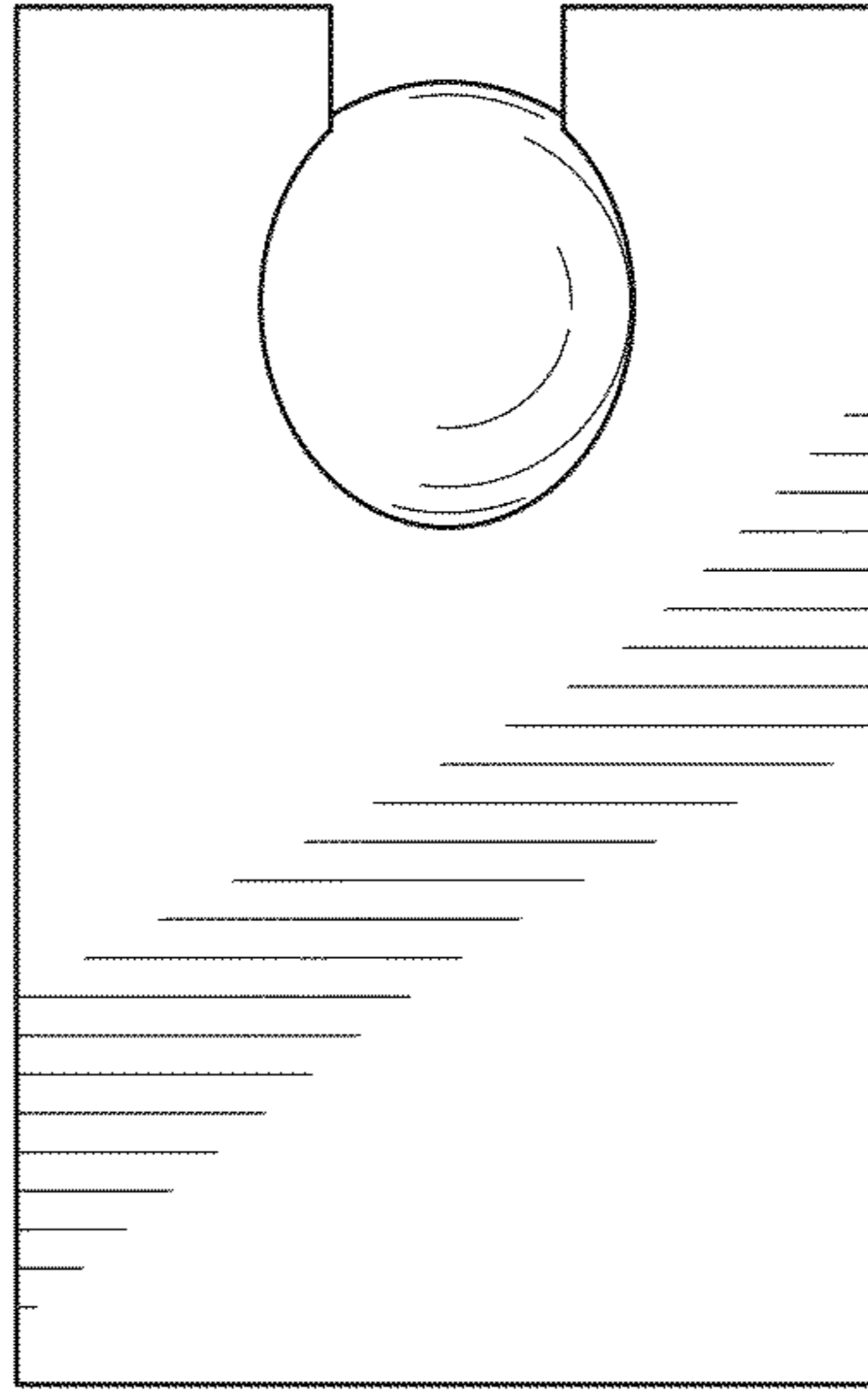


FIG. 6

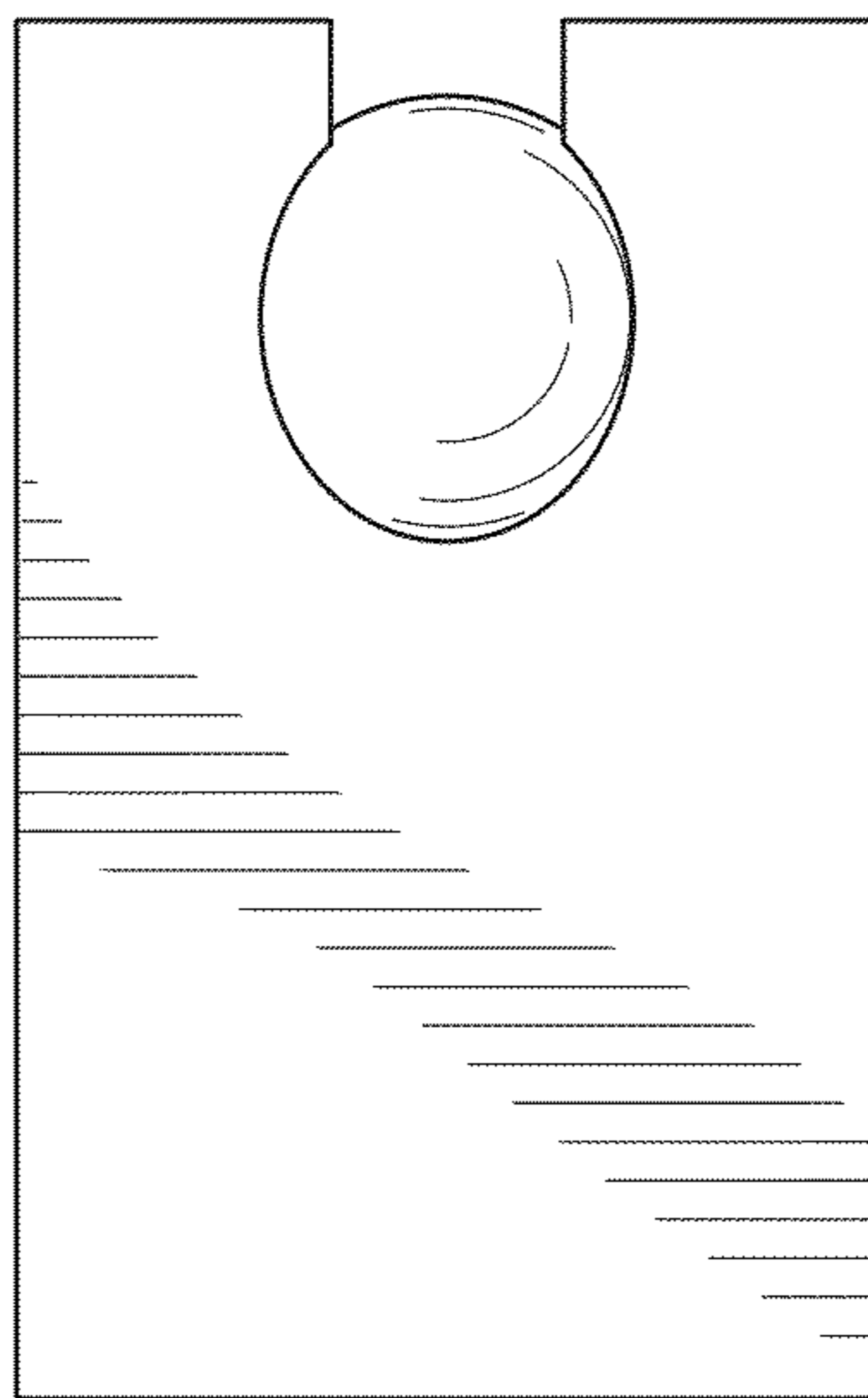


FIG. 7

UNITED STATES PATENT AND TRADEMARK OFFICE
CERTIFICATE OF CORRECTION

PATENT NO. : D685,096 S
APPLICATION NO. : 29/380188
DATED : June 25, 2013
INVENTOR(S) : Rolf Scheiderbauer and Magnus Svan

Page 1 of 1

It is certified that error appears in the above-identified patent and that said Letters Patent is hereby corrected as shown below:

On the Title page, please change (30) Foreign Application Priority Data to:

Oct. 14, 2010 (EM)001768292-0001

Signed and Sealed this
Twentieth Day of August, 2013



Teresa Stanek Rea
Acting Director of the United States Patent and Trademark Office