



US00D685094S

(12) **United States Design Patent**  
**Green et al.**

(10) **Patent No.:** **US D685,094 S**  
(45) **Date of Patent:** **\*\* Jun. 25, 2013**

(54) **NON-PNEUMATIC TOURNIQUET DEVICE**

(75) Inventors: **William J. Green**, San Clemente, CA (US); **Ted J. Brackett**, Manhattan Beach, CA (US)

(73) Assignee: **Precision Medical Devices, LLC**, Thousand Oaks, CA (US)

(\*\*) Term: **14 Years**

(21) Appl. No.: **29/419,189**

(22) Filed: **Apr. 25, 2012**

**Related U.S. Application Data**

(63) Continuation of application No. 12/897,770, filed on Oct. 4, 2010, which is a continuation-in-part of application No. 12/114,737, filed on May 2, 2008, and a continuation-in-part of application No. PCT/US2008/062583, filed on May 2, 2008.

(51) **LOC (9) Cl.** ..... **24-04**

(52) **U.S. Cl.**  
USPC ..... **D24/169**; D24/188

(58) **Field of Classification Search**  
USPC ..... D24/128, 164-169, 107, 186, 187, D24/143, 189, 190; D10/81; 602/41-47, 602/53, 54, 57, 58; 606/202, 203; 600/490; D8/44

See application file for complete search history.

(56) **References Cited**

**U.S. PATENT DOCUMENTS**

3,675,657	A *	7/1972	Gauthier	606/203
4,256,094	A *	3/1981	Kapp et al.	601/152
D272,186	S *	1/1984	Peck	D24/143
4,637,394	A *	1/1987	Racz et al.	606/202
4,911,162	A *	3/1990	Wolff	606/203
D331,972	S *	12/1992	Tam	D24/169

(Continued)

*Primary Examiner* — T. Chase Nelson

*Assistant Examiner* — Michelle E Wilson

(74) *Attorney, Agent, or Firm* — Law Office of David Hong

(57) **CLAIM**

The ornamental design for a non-pneumatic tourniquet device, as shown and described.

**DESCRIPTION**

This application is also related to United States Design patent application Ser. No. 29/317,784, filed on May 6, 2008, and now U.S. Design Patent D625,824;

United States Design patent application Ser. No. 29/346,791, filed on Nov. 5, 2009, and now U.S. Design Patent D642,275; and

United States Design patent application Ser. No. 29/405,373, filed on Nov. 1, 2011.

FIG. 1 is a perspective view of a non-pneumatic tourniquet device showing our new design;

FIG. 2 is a top view thereof, the bottom view being a mirror image;

FIG. 3 is a first side elevational view thereof; the opposite side being a mirror image;

FIG. 4 is a second side elevational view thereof; the opposite side being a mirror image;

FIG. 5 is a cross-sectional view thereof, taken along line 5-5 of FIG. 2;

FIG. 6 is a perspective view thereof, with the central element seen in FIGS. 1, 2, 4 and 5 removed in order to depict the inner structure of the non-pneumatic tourniquet device;

FIG. 7 is a top view of the non-pneumatic tourniquet device shown in FIG. 6; the bottom view being a mirror image;

FIG. 8 is a side view of the non-pneumatic tourniquet device shown in FIG. 6; the opposite side view being a mirror image;

FIG. 9 is a cross-sectional view of the non-pneumatic tourniquet device shown in FIG. 6, taken along line 9-9 of FIG. 7;

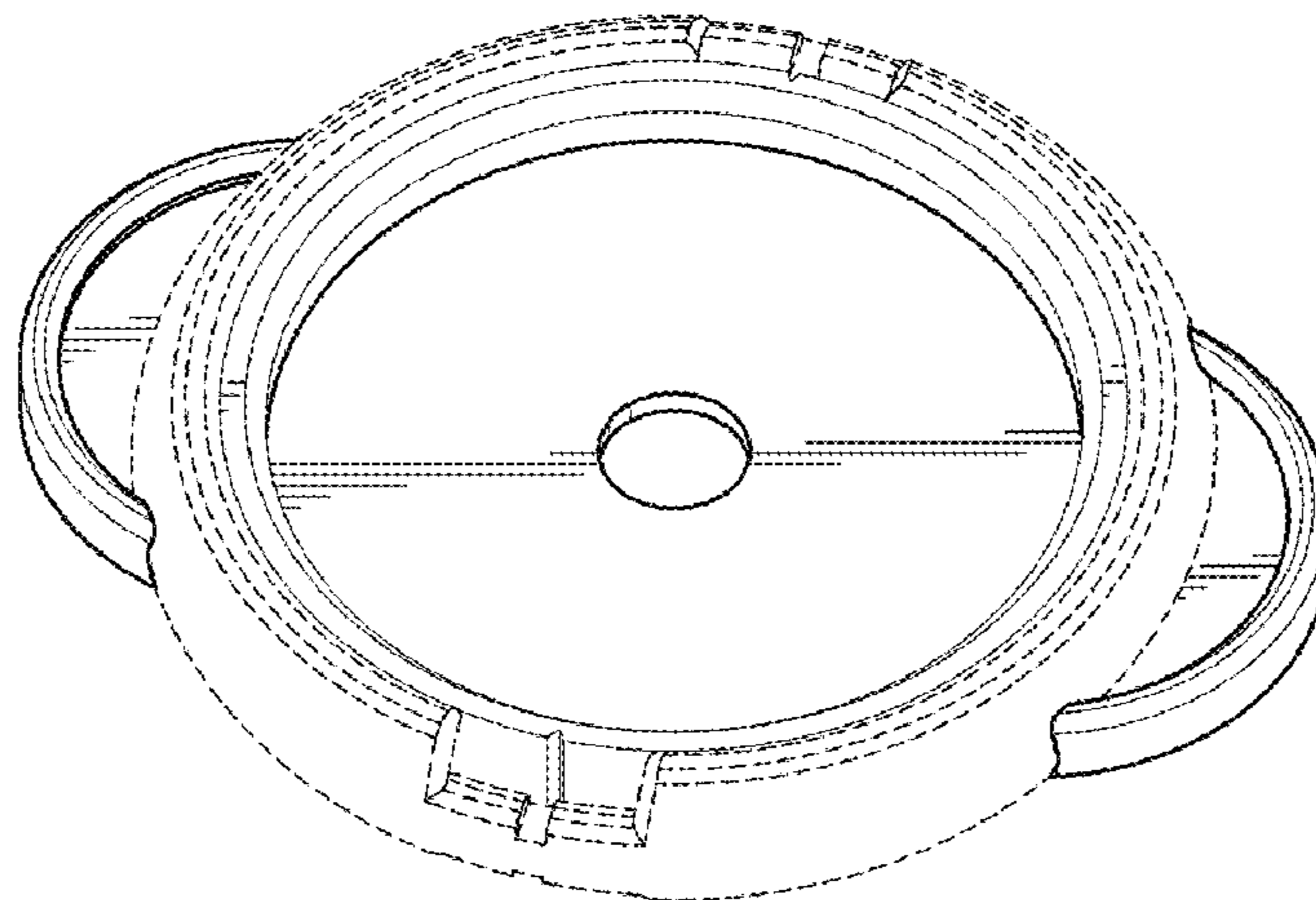
FIG. 10 is a cross-sectional view of the non-pneumatic tourniquet device shown in FIG. 6, taken along line 10-10 of FIG. 7;

FIG. 11 is an enlarged fragmented view of the non-pneumatic tourniquet device shown in FIG. 6, taken along the arrow 11 of FIG. 10; and,

FIG. 12 is an enlarged fragmented view of the non-pneumatic tourniquet device shown in FIG. 6, taken along the arrow 12 of FIG. 9.

The broken lines represent portions of the structure that form no part of the claim.

**1 Claim, 2 Drawing Sheets**



# US D685,094 S

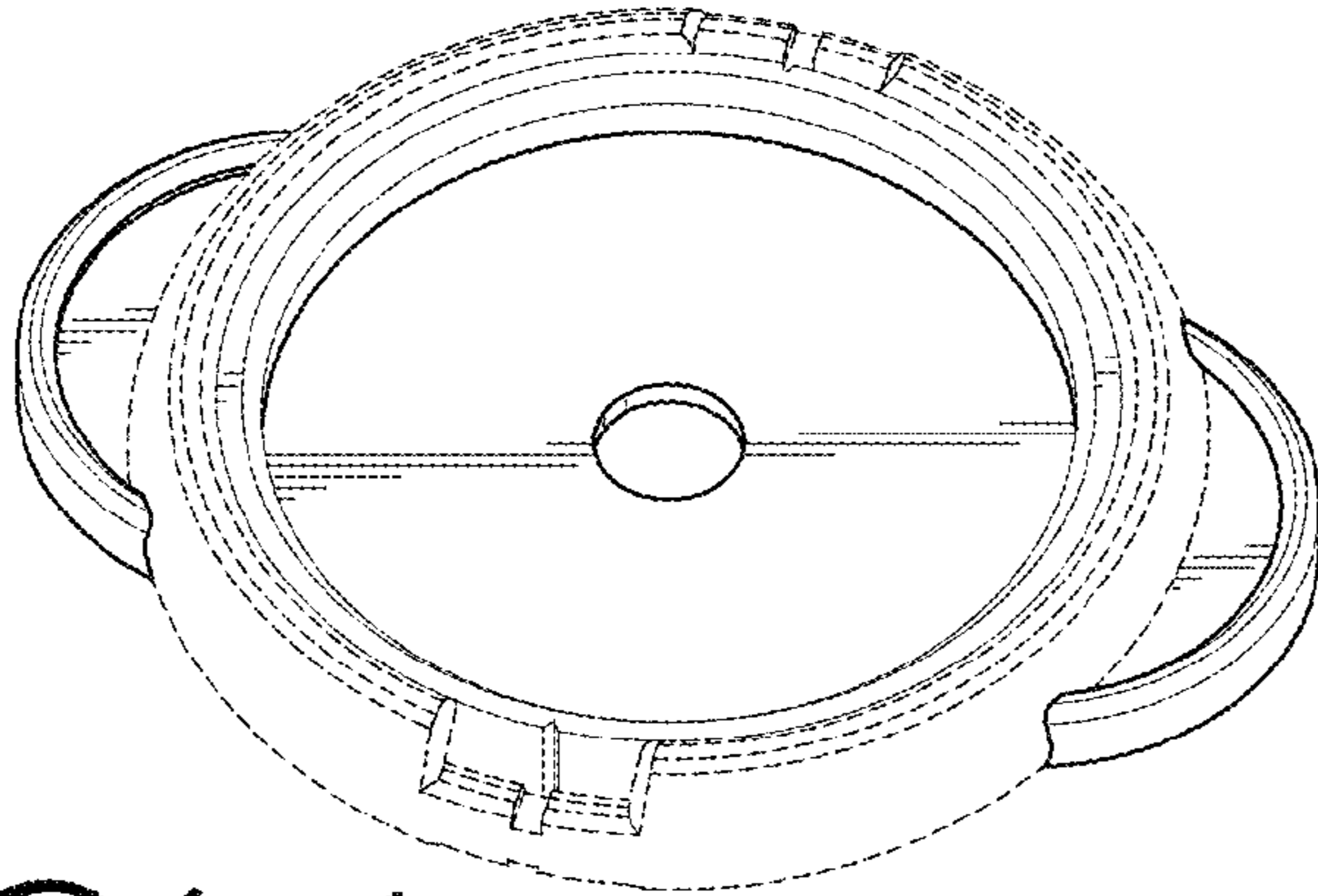
Page 2

---

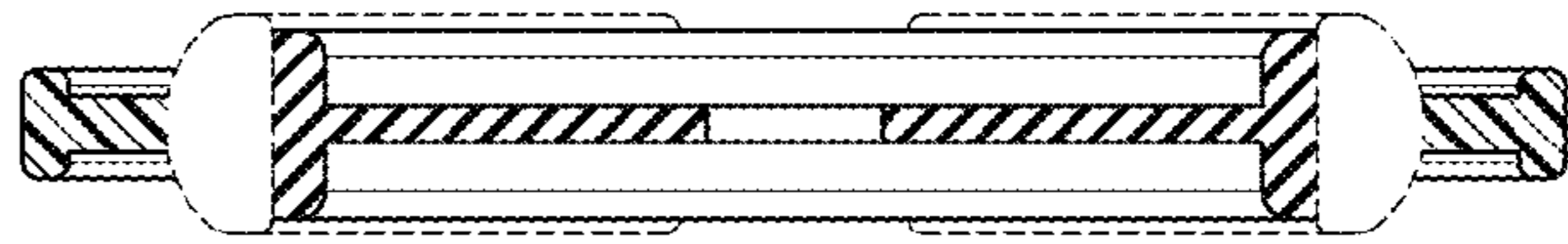
## U.S. PATENT DOCUMENTS

D333,006	S *	2/1993	Tam	.....	D24/169	D625,824	S *	10/2010	Brackett et al.	.....	D24/188
5,607,448	A *	3/1997	Stahl et al.	.....	606/203	D642,275	S *	7/2011	Brackett et al.	.....	D24/169
6,833,001	B1 *	12/2004	Chao	.....	606/203	2005/0267518	A1 *	12/2005	Wright et al.	.....	606/203
7,582,102	B2 *	9/2009	Heinz et al.	.....	606/203	2006/0089668	A1 *	4/2006	Warburton	.....	606/203

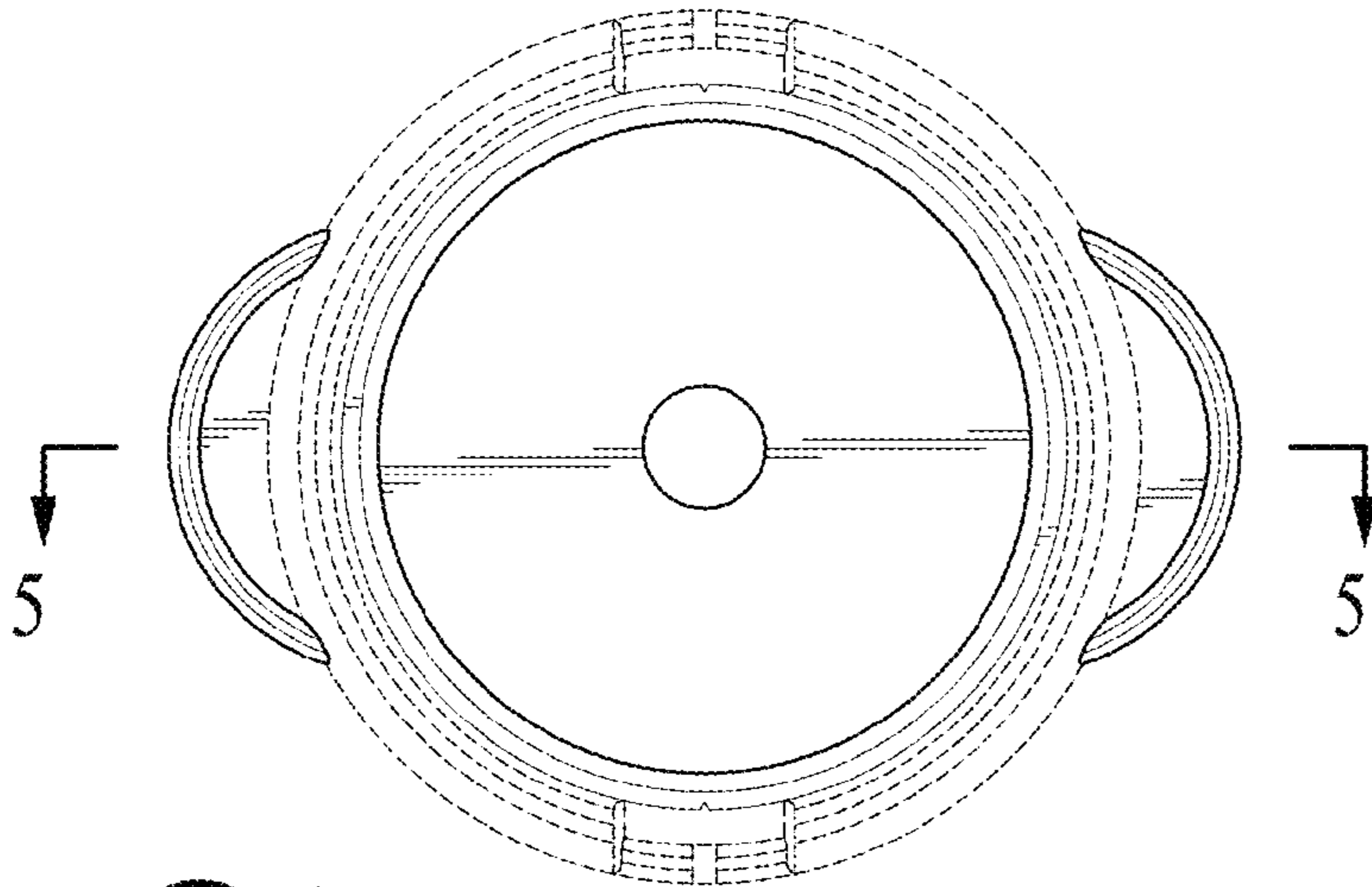
\* cited by examiner



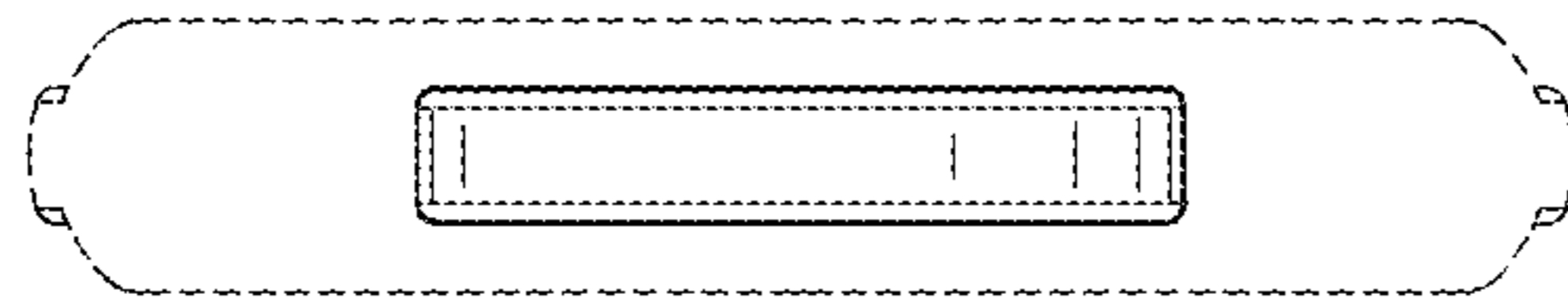
*FIG. 1*



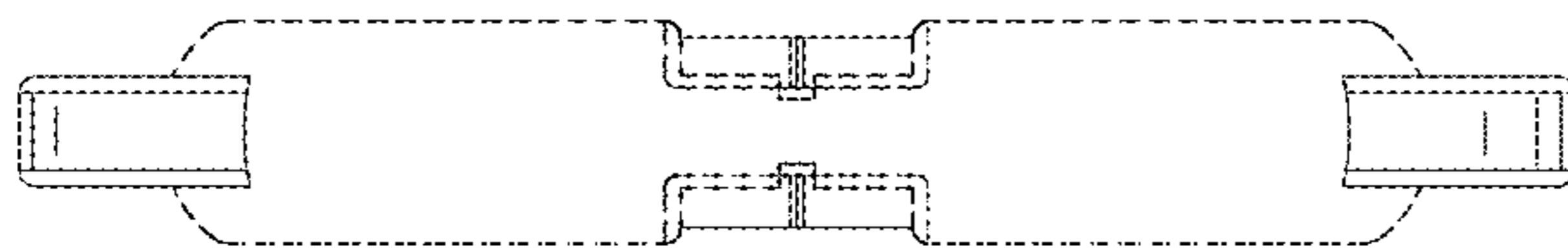
*FIG. 5*



*FIG. 2*

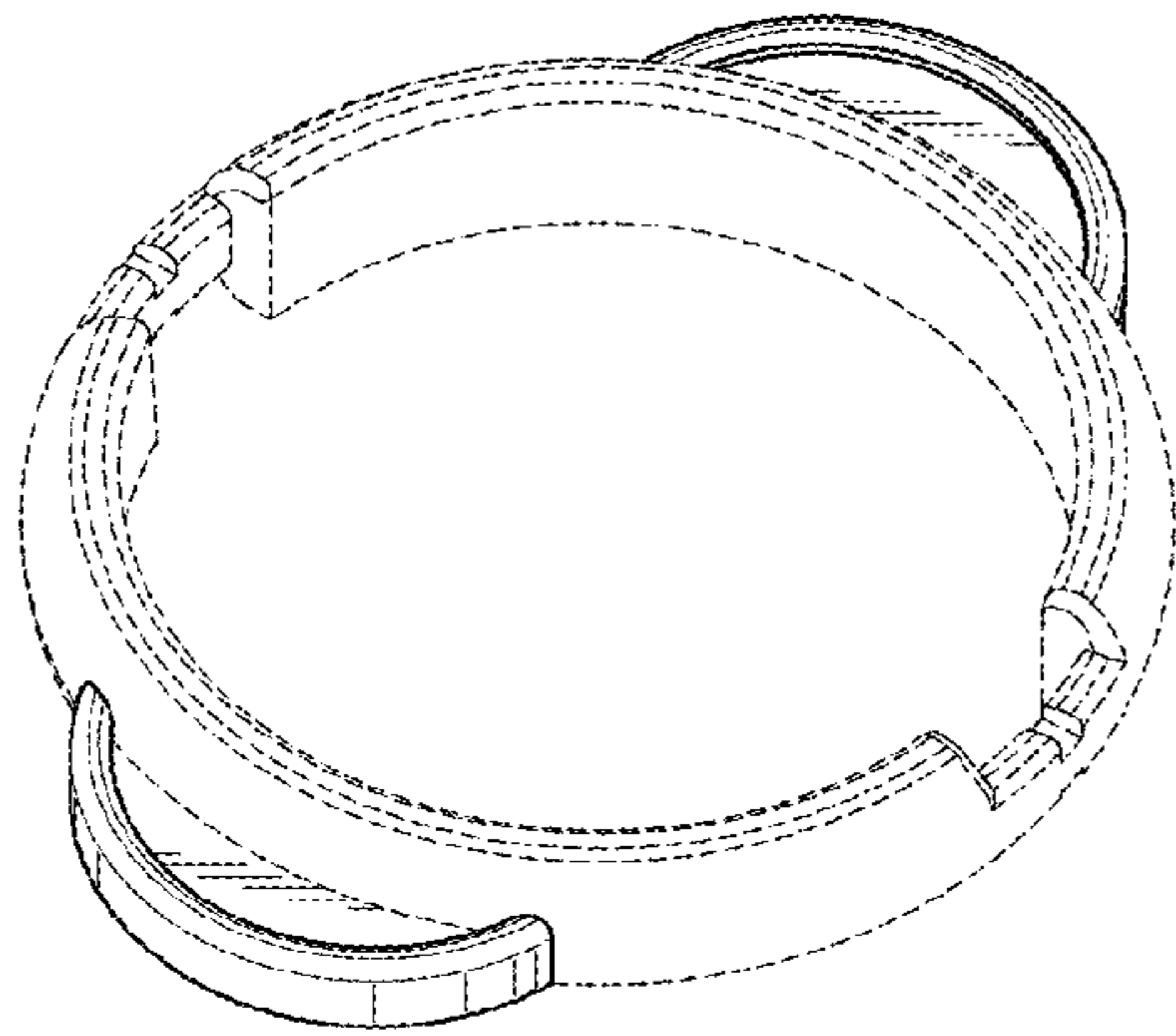


*FIG. 3*

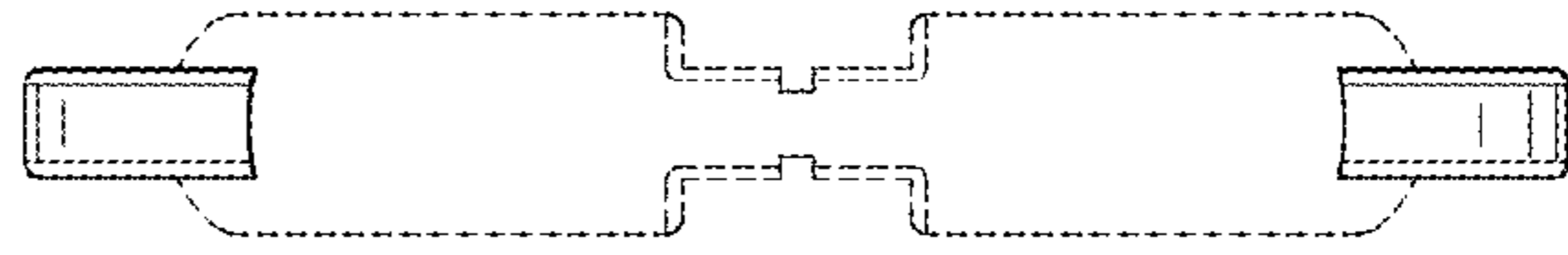


*FIG. 4*

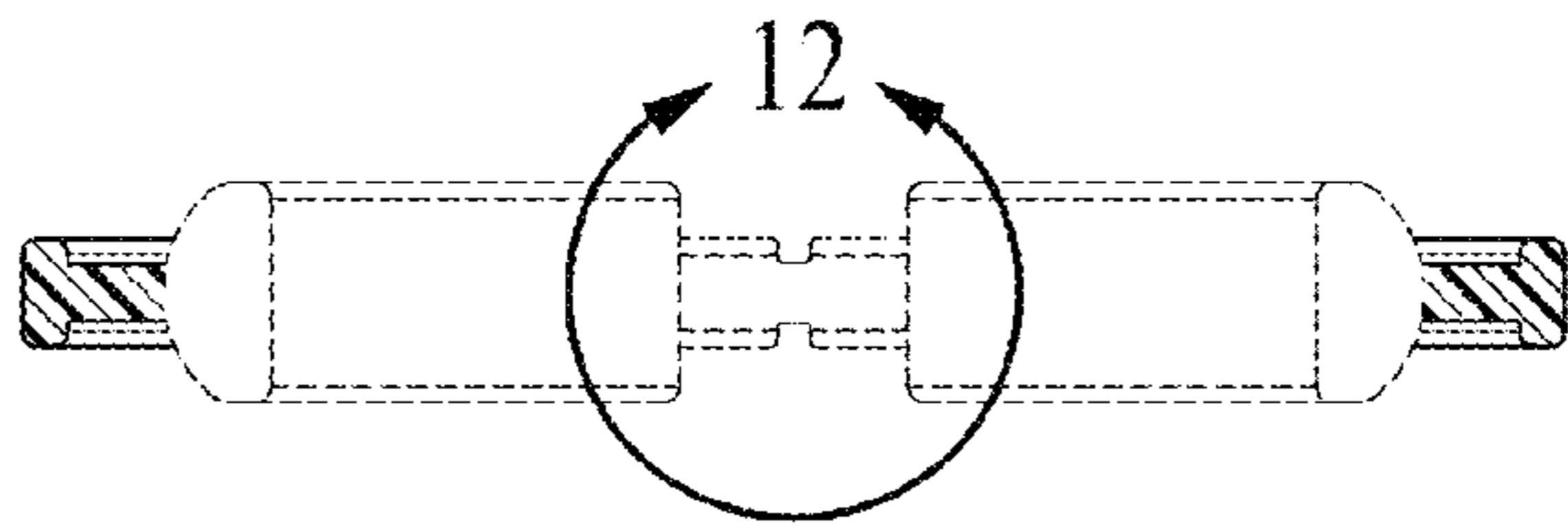




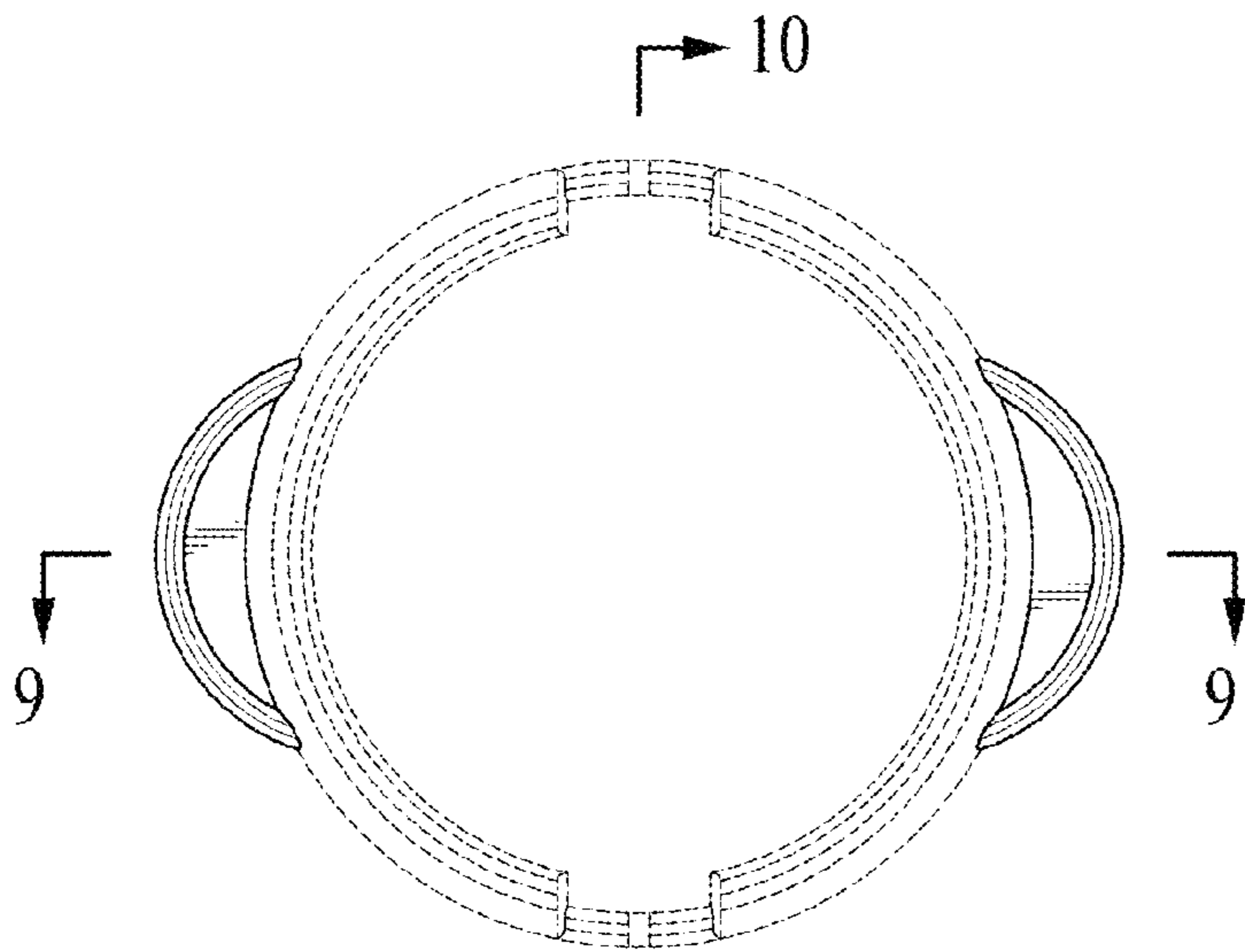
*FIG. 6*



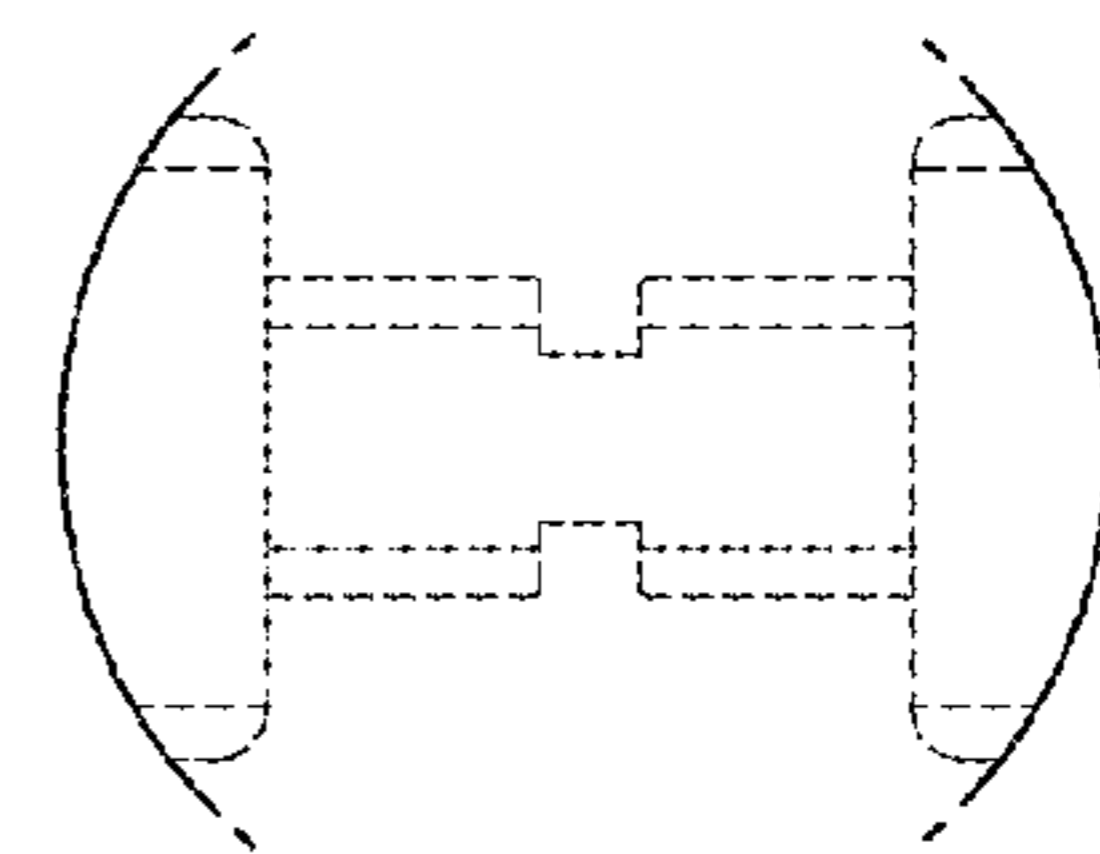
*FIG. 8*



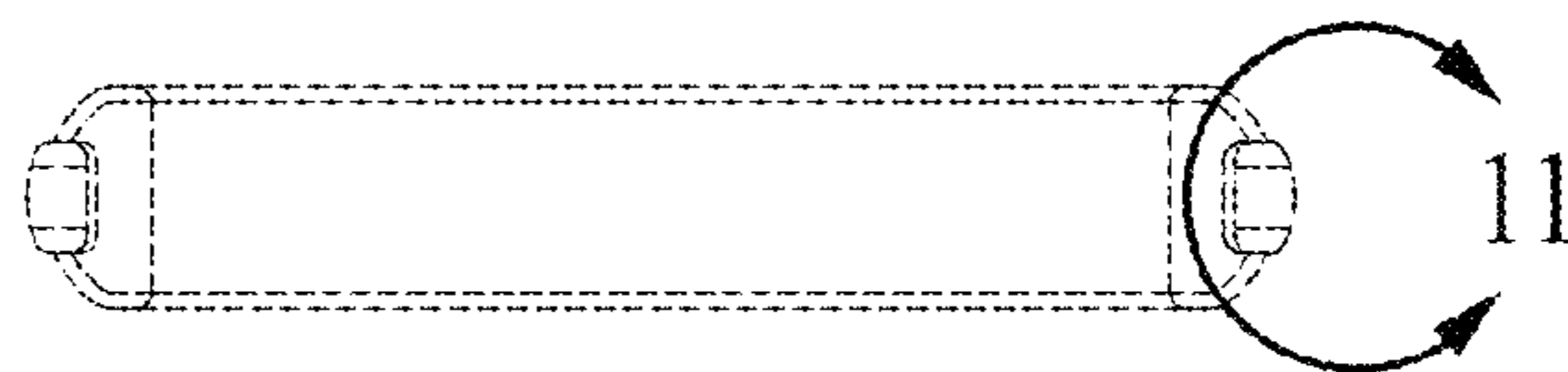
*FIG. 9*



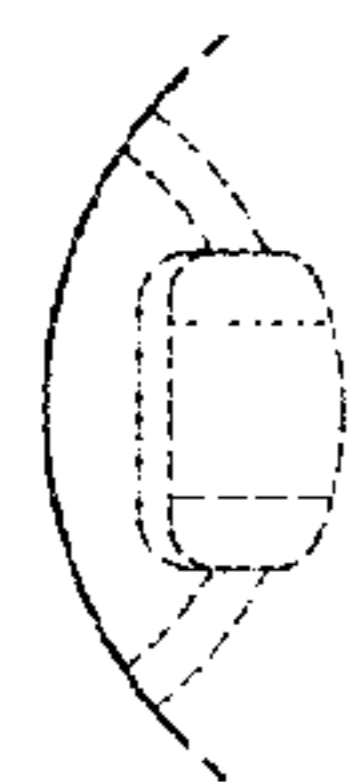
*FIG. 7*



*FIG. 12*



*FIG. 10*



*FIG. 11*