



US00D685093S

(12) **United States Design Patent**
Shimizu

(10) **Patent No.:** **US D685,093 S**
(45) **Date of Patent:** **** Jun. 25, 2013**

(54) **OPERATIONAL MACHINE FOR MEDICAL X-RAY PHOTOGRAPHIC APPARATUS**

(75) Inventor: **Kosuke Shimizu**, Kyoto (JP)

(73) Assignee: **Shimadzu Corporation**, Kyoto (JP)

(**) Term: **14 Years**

(21) Appl. No.: **29/426,373**

(22) Filed: **Jul. 5, 2012**

(30) **Foreign Application Priority Data**

Apr. 9, 2012 (JP) 2012-008315

(51) **LOC (9) Cl.** **24-01**

(52) **U.S. Cl.**
USPC **D24/158**

(58) **Field of Classification Search**
USPC D24/158-161, 185, 186; 378/4, 15,
378/17, 20, 21, 23-27, 62, 68, 146, 195-198;
D13/158, 162, 167, 168, 171
See application file for complete search history.

(56) **References Cited**

U.S. PATENT DOCUMENTS

D324,104 S * 2/1992 Cecil et al. D24/158
D334,062 S * 3/1993 Davis et al. D24/160
D356,792 S * 3/1995 Murakami et al. D24/158

D445,189 S * 7/2001 Cannon et al. D24/160
D523,146 S * 6/2006 Ogiwara D24/158
D548,344 S * 8/2007 Ogiwara D24/158
D551,347 S * 9/2007 Baba D24/158
D630,751 S * 1/2011 Yanase et al. D24/158
D649,941 S * 12/2011 Lee et al. D13/168

* cited by examiner

Primary Examiner — Anhdao Doan

(74) *Attorney, Agent, or Firm* — Jianq Chyun IP Office

(57) **CLAIM**

The ornamental design for an operational machine for medical x-ray photographic apparatus, as shown and described.

DESCRIPTION

FIG. 1 is a perspective view of an operational machine for medical x-ray photographic apparatus showing my new design;

FIG. 2 is a front view thereof;

FIG. 3 is a rear view thereof;

FIG. 4 is a right side view thereof;

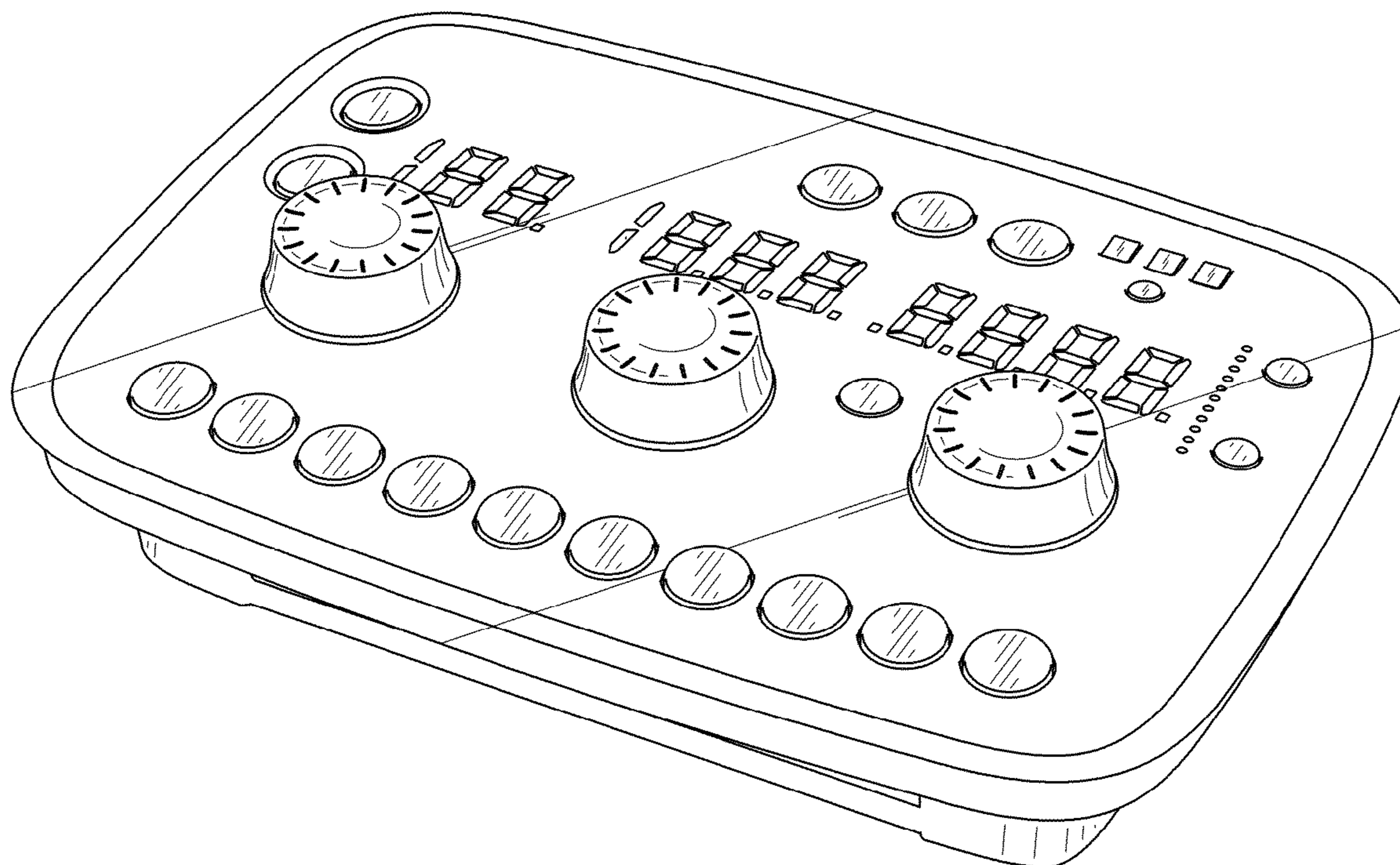
FIG. 5 is a left side view thereof;

FIG. 6 is a top view thereof; and,

FIG. 7 is a bottom view thereof.

The portions of the operation machine for medical x-ray apparatus shown in broken lines form no part of the claimed design.

1 Claim, 4 Drawing Sheets



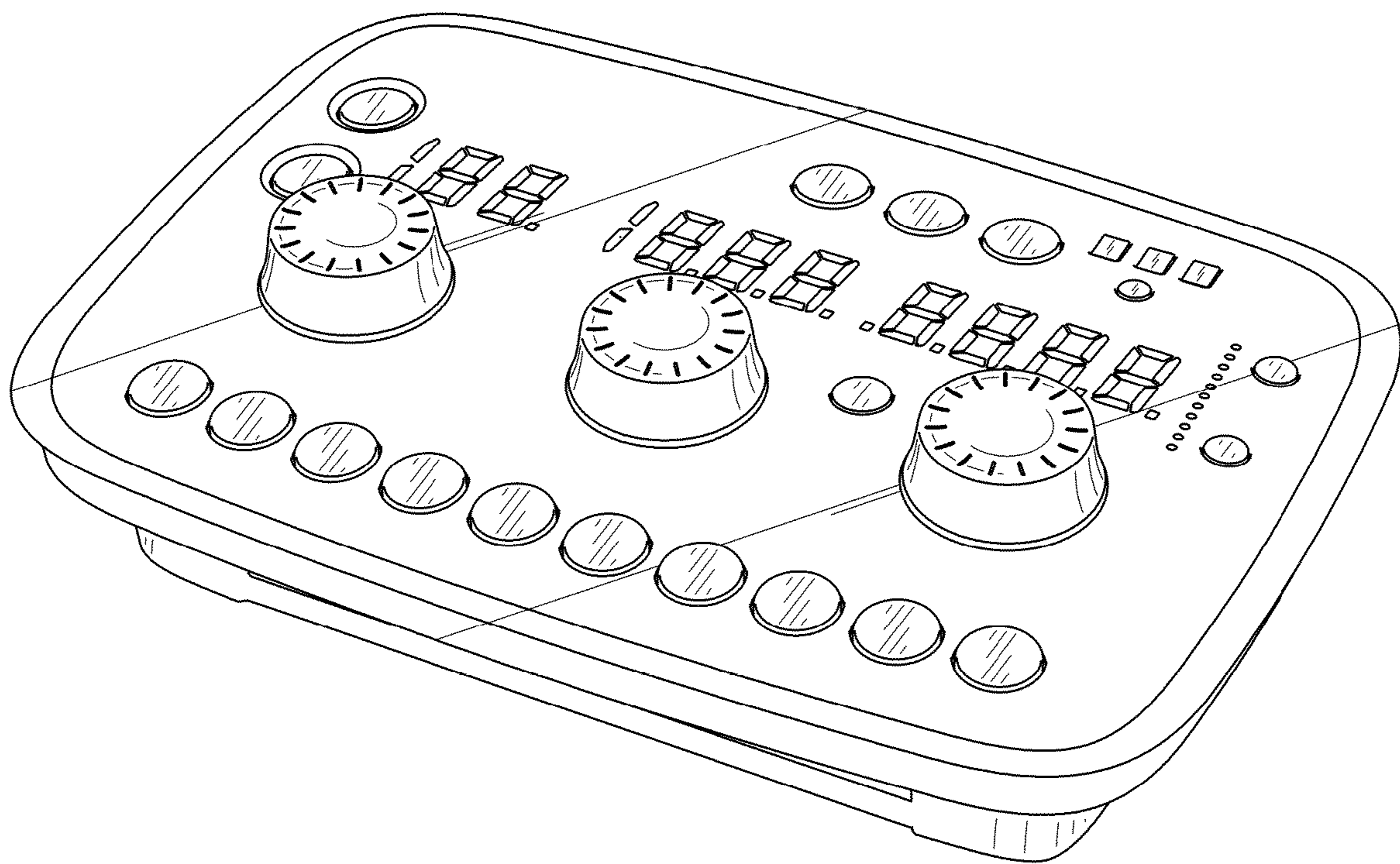


FIG. 1

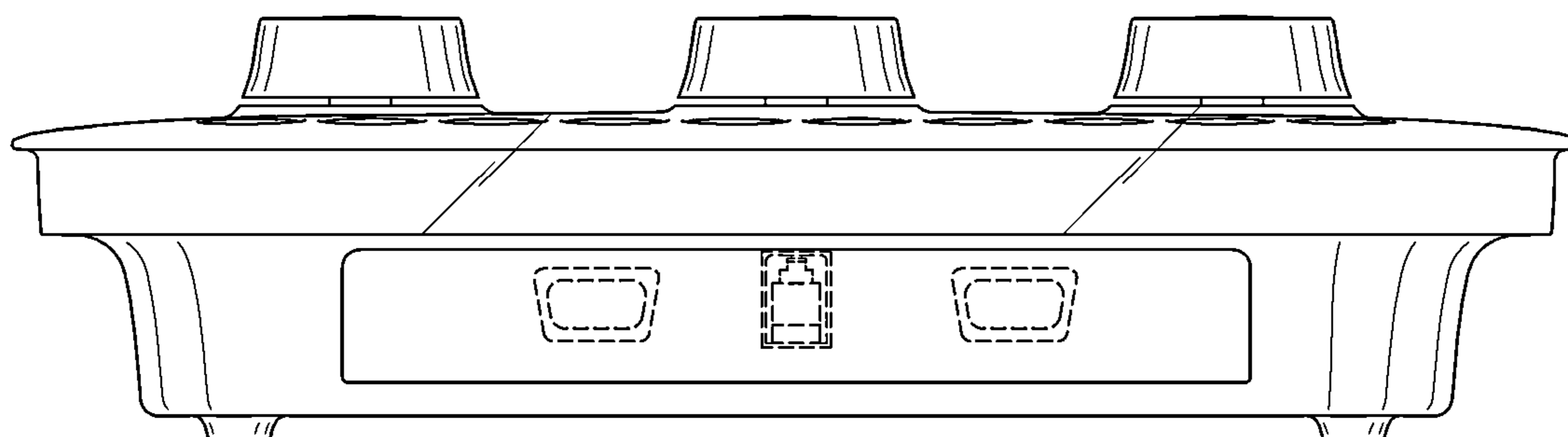


FIG. 2

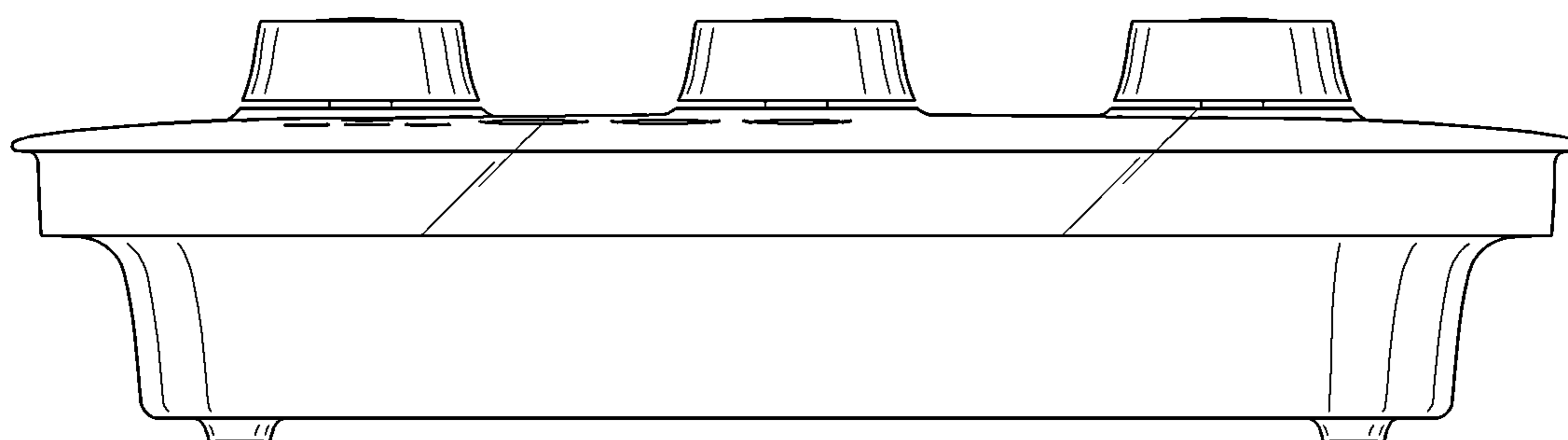


FIG. 3

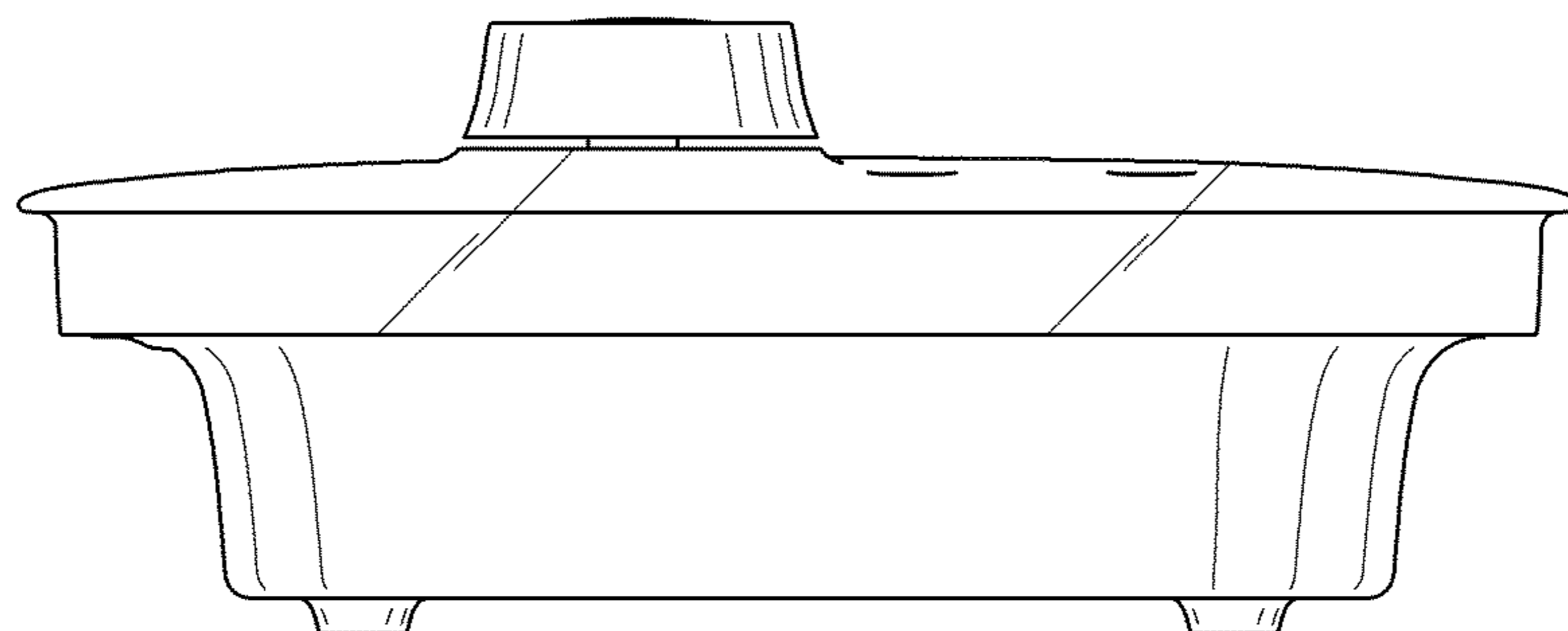


FIG. 4

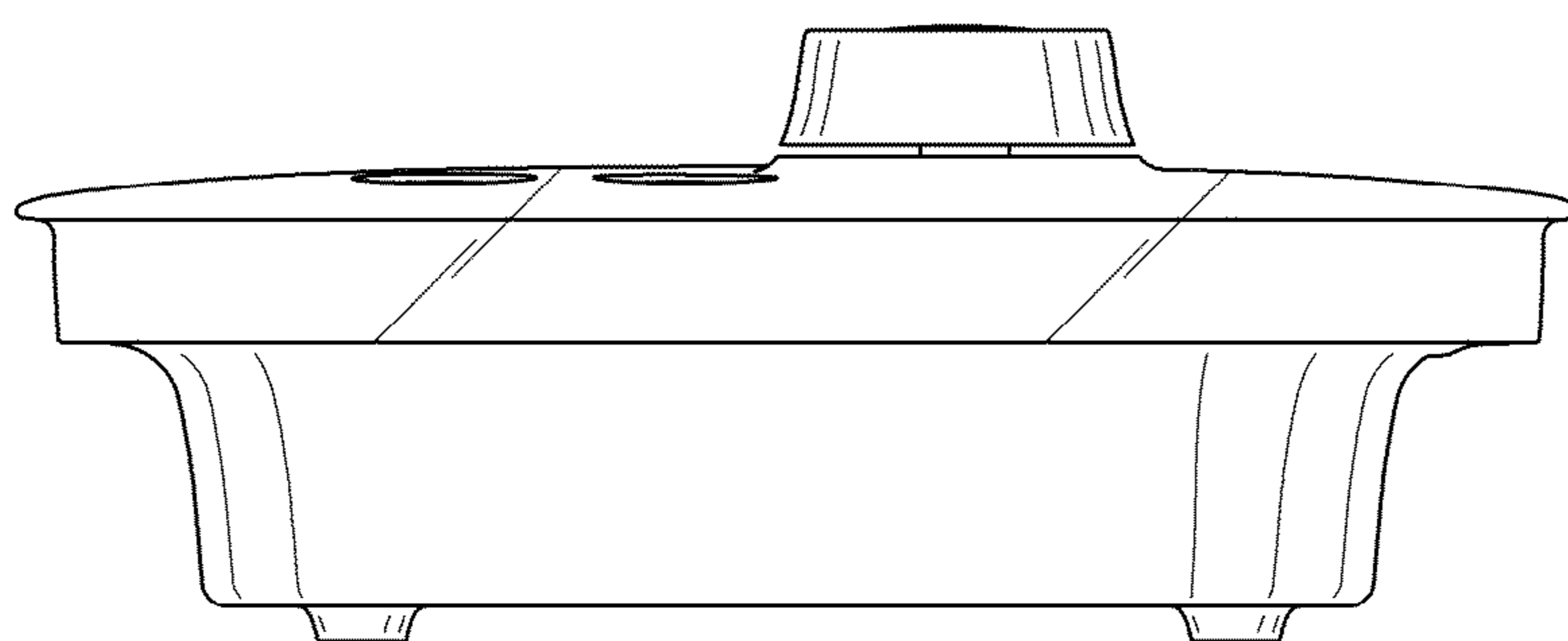


FIG. 5

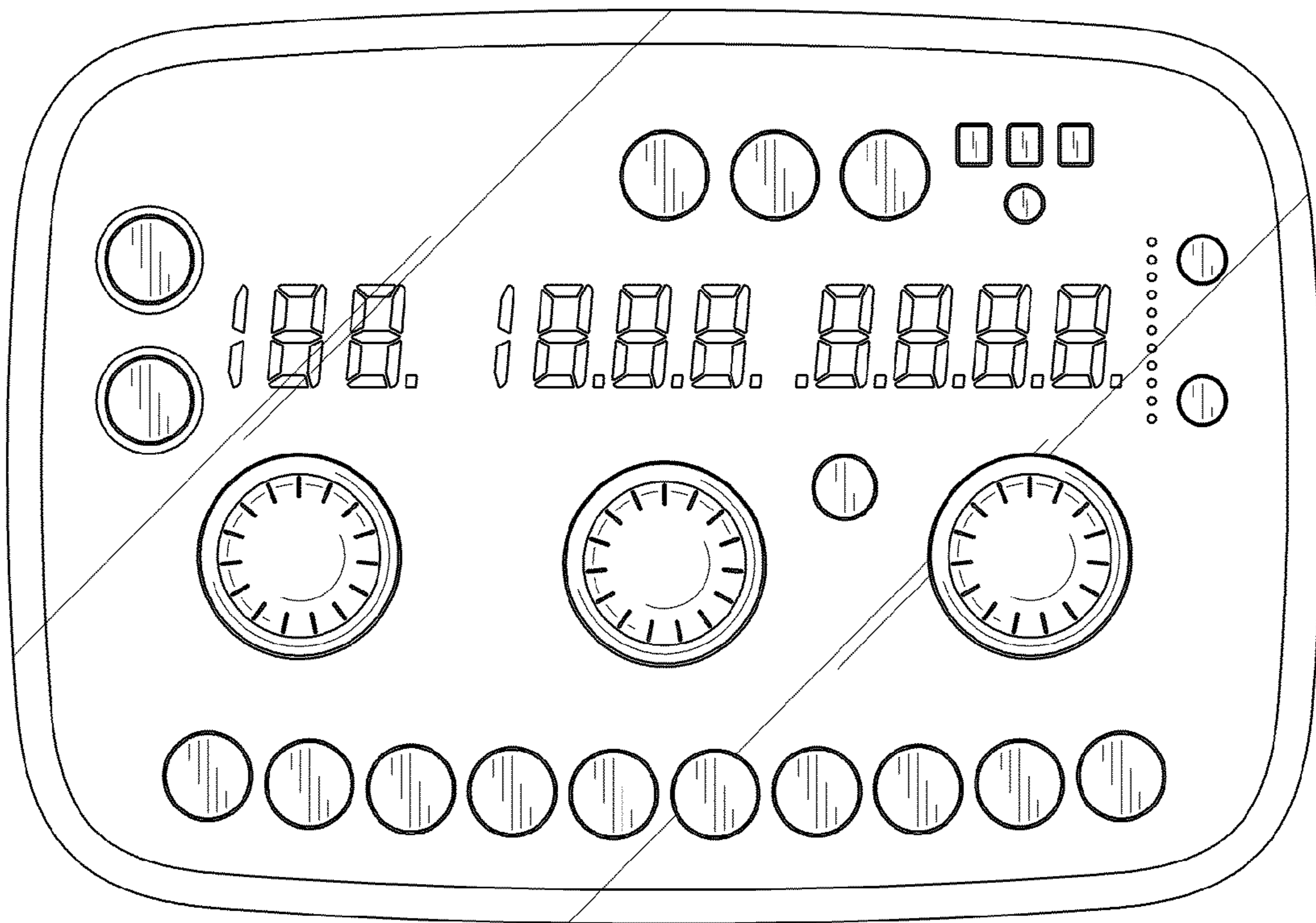


FIG. 6

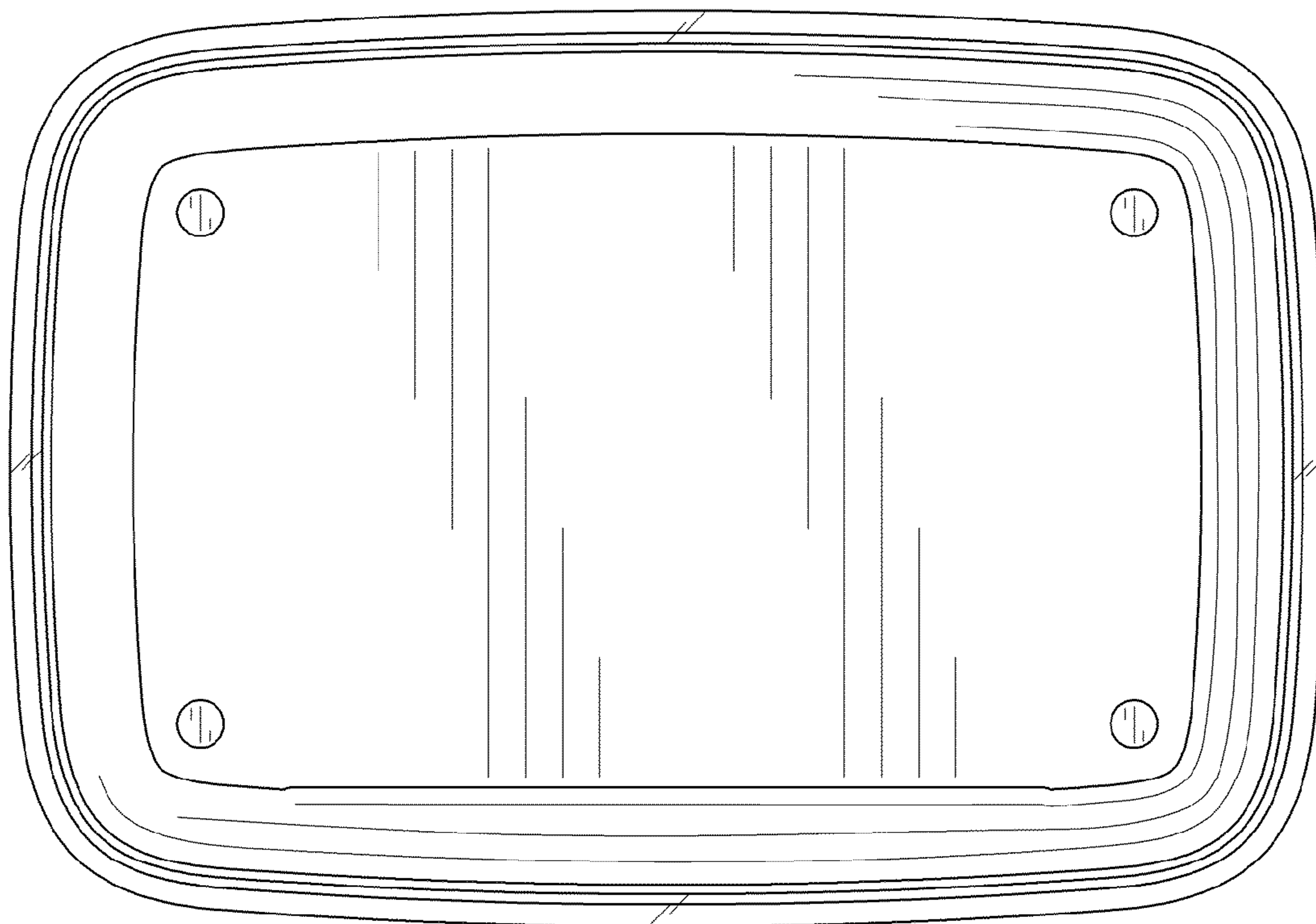


FIG. 7