



US00D685091S

(12) **United States Design Patent**
Morawski et al.

(10) **Patent No.:** **US D685,091 S**
(45) **Date of Patent:** **** Jun. 25, 2013**

(54) **SURGICAL KNIFE SAFETY HANDLE GUARD**

(75) Inventors: **Michael J. Morawski**, Haverhill, MA (US); **Dana M. Cote**, Saugus, MA (US)

(73) Assignee: **Beaver-Vistec International (US), Inc.**, Lake Forest, IL (US)

(**) Term: **14 Years**

(21) Appl. No.: **29/371,480**

(22) Filed: **Mar. 14, 2011**

Related U.S. Application Data

(60) Continuation of application No. 11/980,414, filed on Oct. 31, 2007, now Pat. No. 7,905,894, which is a division of application No. 10/828,501, filed on Apr. 21, 2004, now Pat. No. 7,387,637, which is a continuation-in-part of application No. 10/426,614, filed on Apr. 22, 2003, now Pat. No. 7,022,128.

(51) **LOC (9) Cl.** **24-02**

(52) **U.S. Cl.**
USPC **D24/147**

(58) **Field of Classification Search**
USPC D24/147, 146, 133; 606/167, 166, 606/161, 181, 182, 170, 174, 180, 184; D8/107, D8/99, 91, 83, 10; 30/151, 162, 329, 333, 30/335, 295, 282, 286, 337-339; D7/667, D7/669-670, 681, 691; 294/1.3, 1.4, 1.5, 294/9, 28, 49, 50.8, 54.5, 55; D21/772
See application file for complete search history.

(56) **References Cited**

U.S. PATENT DOCUMENTS

1,195,169 A 8/1916 Adcock
1,914,153 A 6/1933 Ogden

(Continued)

FOREIGN PATENT DOCUMENTS

DE 3722899 A1 1/1989
EP 0 162 170 A1 11/1985

(Continued)

OTHER PUBLICATIONS

Oasis Medical Inc., "Oasis Premier Shield Safety Scalpels", Oasis Product Catalog, 2006, Glendora California.

(Continued)

Primary Examiner — Ian Simmons

Assistant Examiner — Carissa C Fitts

(74) *Attorney, Agent, or Firm* — Roylance, Abrams, Berdo and Goodman, LLP

(57) **CLAIM**

The ornamental design for a surgical knife safety handle guard, as shown and described.

DESCRIPTION

FIG. 1 is a perspective view of an embodiment of a surgical knife safety handle guard showing my new design, with the guard shown extended from a surgical knife safety handle (shown in broken lines) which forms no part of the claimed design;

FIG. 2 is a top view of the surgical knife safety handle guard shown in FIG. 1;

FIG. 3 is a left side elevational view of the surgical knife safety handle guard shown in FIG. 1, the right side elevational view (not shown) being a mirror image of the left side elevational view of FIG. 3;

FIG. 4 is a front elevational view of the surgical knife safety handle guard shown in FIG. 1;

FIG. 5 is a rear elevational view of the surgical knife safety handle guard shown in FIG. 1;

FIG. 6 is a perspective view of the surgical knife safety handle guard shown in FIG. 1, with the guard shown retracted from the unclaimed surgical knife safety handle shown in broken lines;

FIG. 7 is an enlarged perspective view of a portion of the surgical knife safety handle guard shown in FIG. 1;

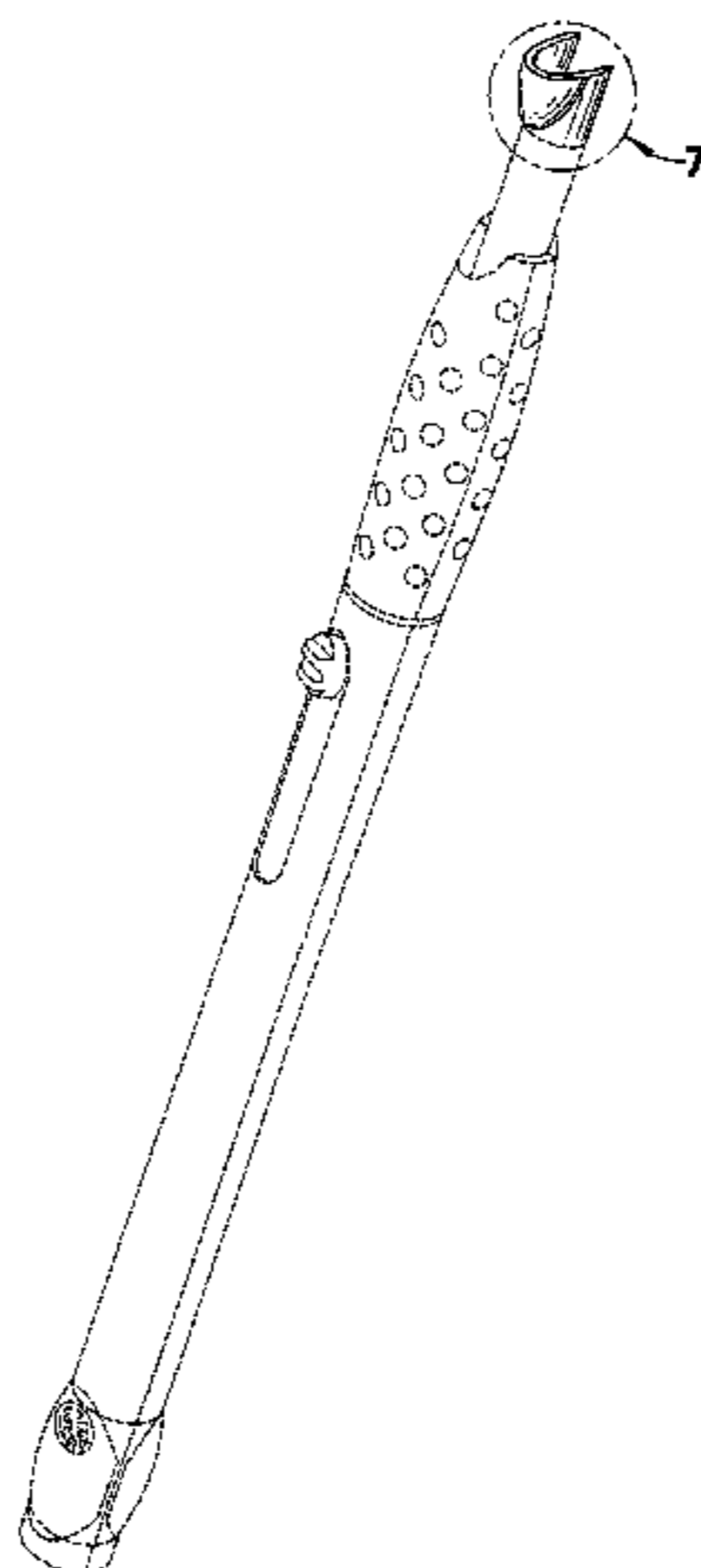
FIG. 8 is an enlarged top view of a portion of the surgical knife safety handle guard shown in FIG. 2;

FIG. 9 is an enlarged left side view of a portion of the surgical knife safety handle guard shown in FIG. 3; and,

FIG. 10 is an enlarged perspective view of a portion of the surgical knife safety handle guard shown in FIG. 6.

The broken line showing of the surgical knife safety handle, blade and blade support is for illustrative purposes only, and forms no part of the claimed design.

1 Claim, 4 Drawing Sheets



US D685,091 S

Page 3

WO WO 2004/093924 A2 11/2004
WO WO 2006/044865 A2 4/2006
WO WO 2008/029566 A1 3/2008

OTHER PUBLICATIONS

Surgistar Website, "881861 Slit 1.8mm Safety Knife Angled",
Downloaded Apr. 19, 2011, product p. 1, product enlargement p. 2,
www.surgistar.com/product_detail.php?i=839.

Surgistar Advertisement, "Self-Defense / Safety Doesn't Happen by
Accident / Introducing The Safety Knife Series From Surgistar",
Eurotimes, Feb. 2011, cover page and p. 6, vol. 16, Issue 2.
Surgistar Brochure, "Self-Defense / Safety Doesn't Happen by Acci-
dent / Introducing The Safety Knife Series From Surgistar", Copy-
right 2010, pp. 1 and 2.

* cited by examiner

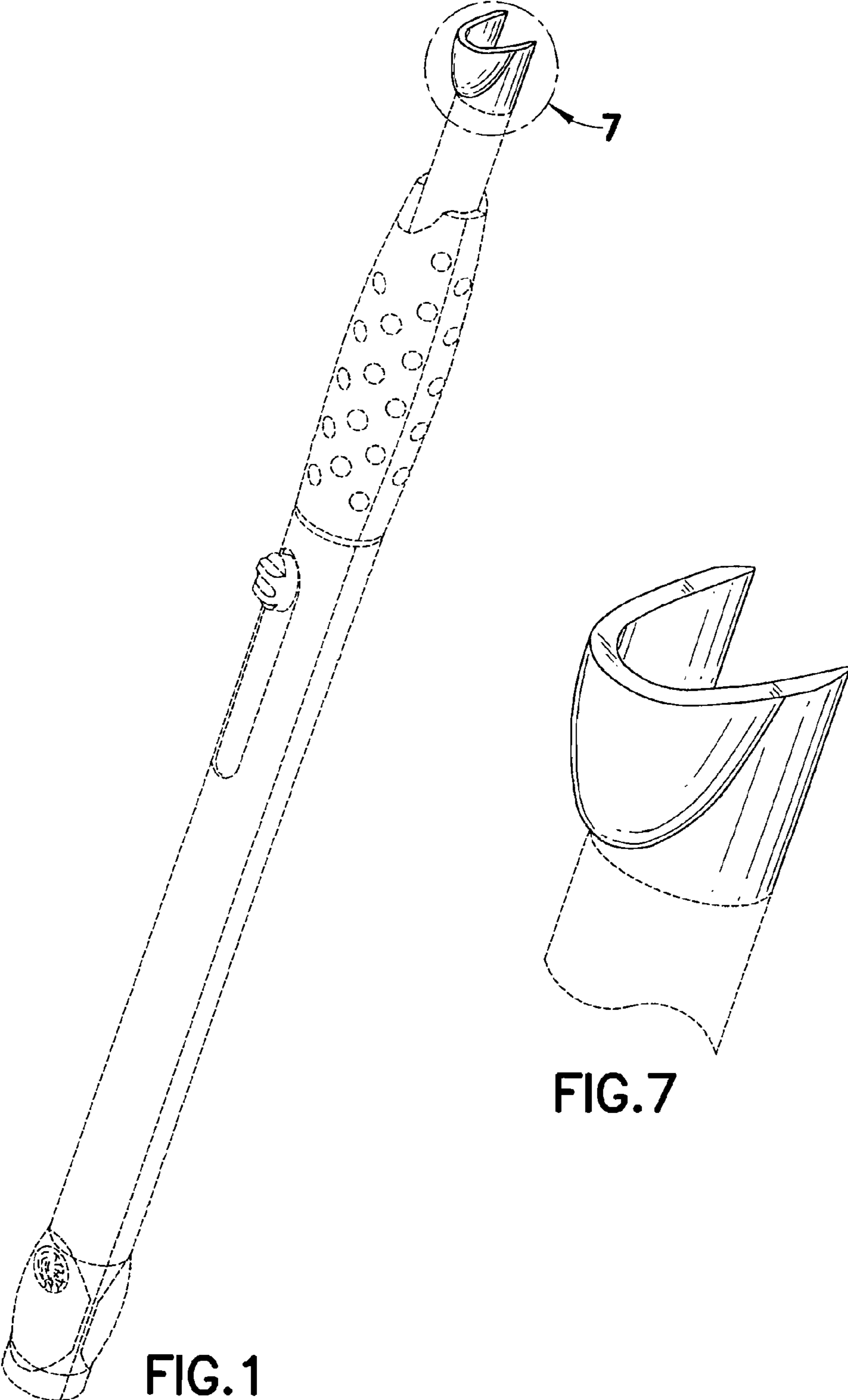


FIG. 1

FIG. 7

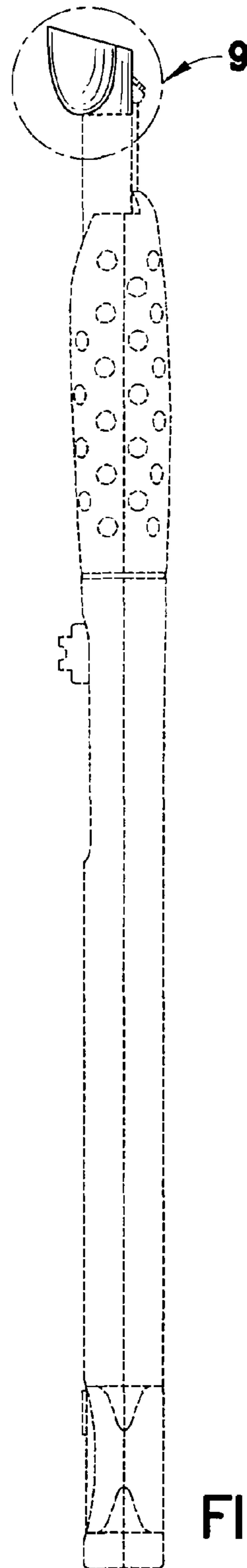
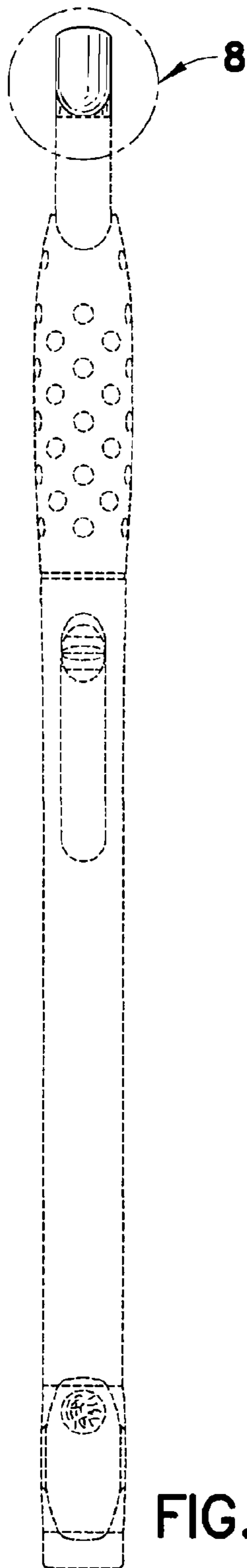


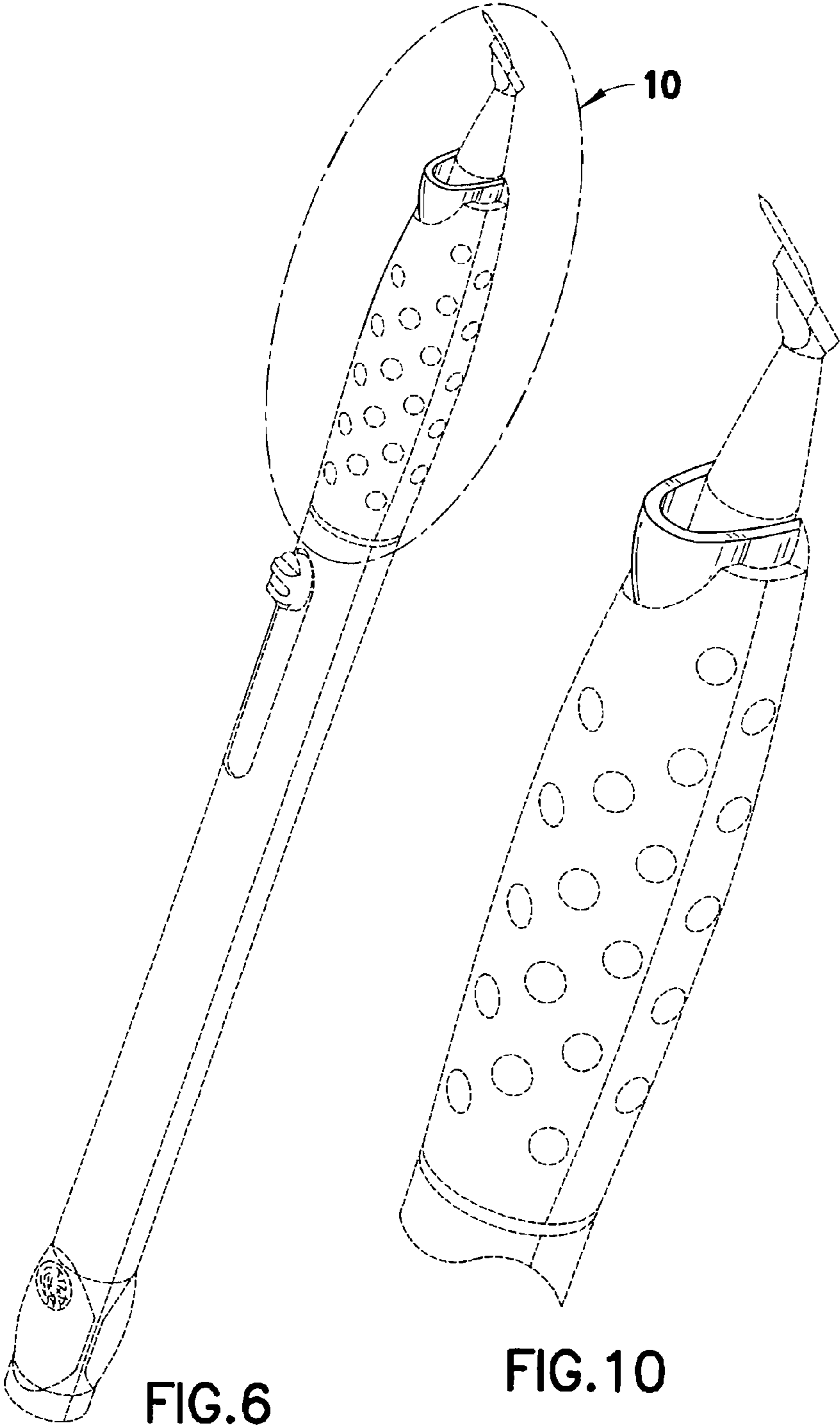
FIG.4



FIG.5

FIG.2

FIG.3



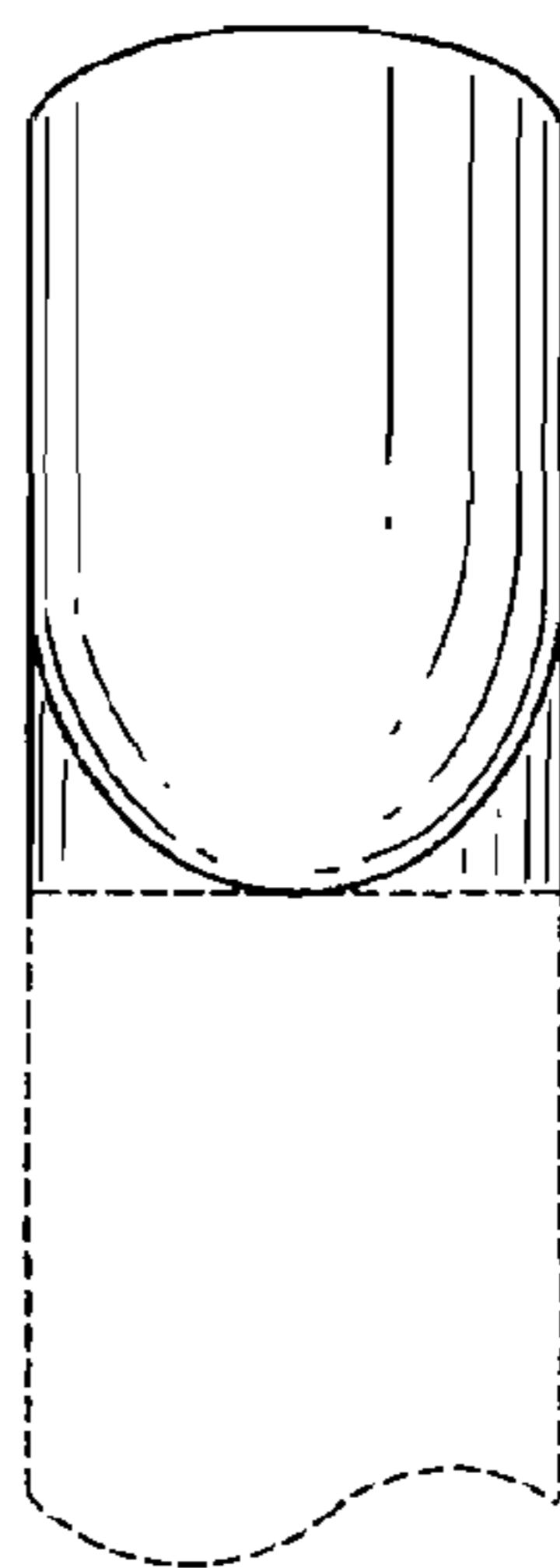


FIG. 8

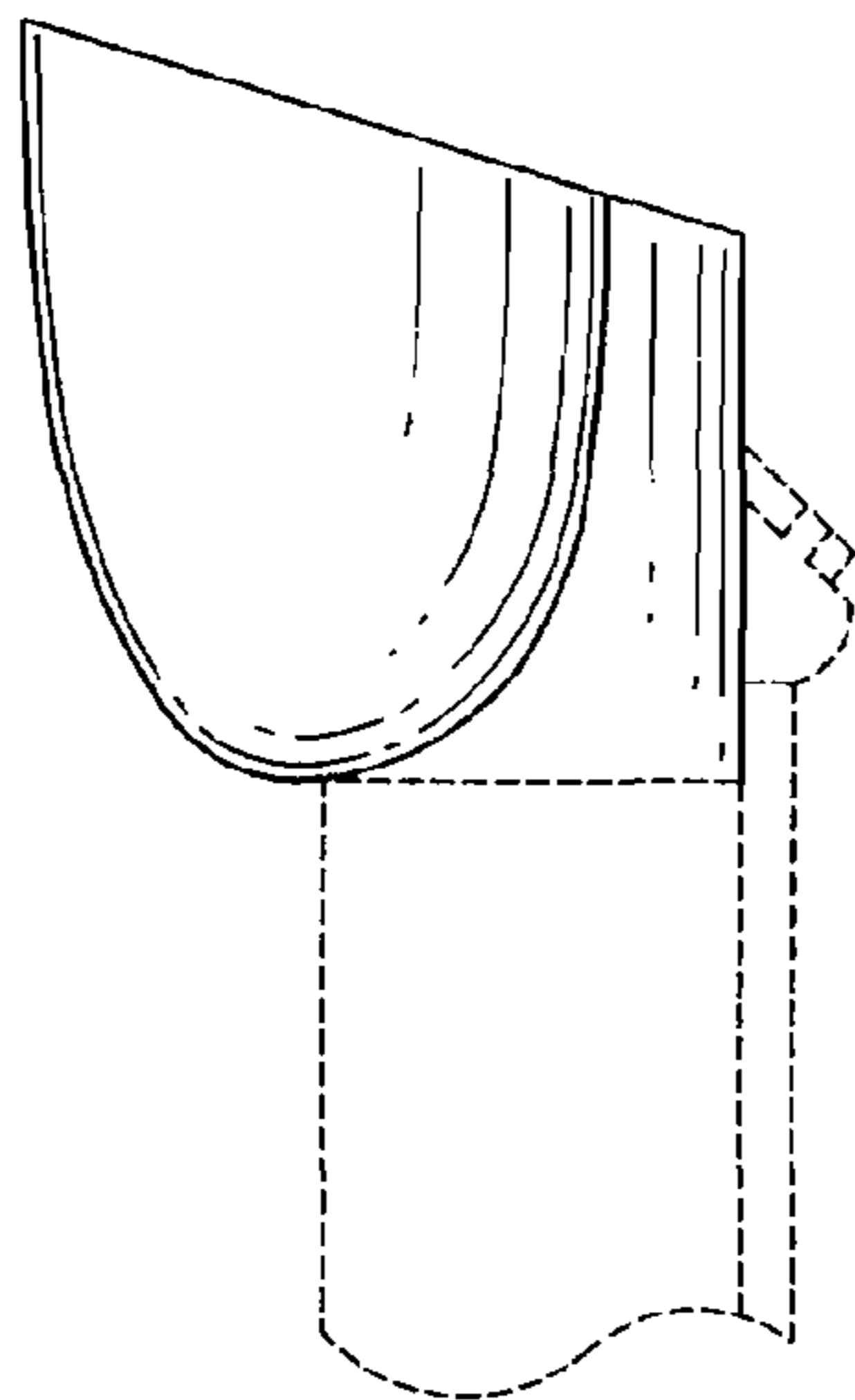


FIG. 9