



US00D685089S

(12) **United States Design Patent**
Yaremchuk et al.

(10) **Patent No.:** **US D685,089 S**
(45) **Date of Patent:** **** Jun. 25, 2013**

(54) **SURGICAL INSTRUMENT**

(71) Applicants: **Michael J. Yaremchuk**, Lynnfield, MA (US); **Eric Lui**, West Chester, PA (US); **Jason S. Chan**, West Chester, PA (US)

(72) Inventors: **Michael J. Yaremchuk**, Lynnfield, MA (US); **Eric Lui**, West Chester, PA (US); **Jason S. Chan**, West Chester, PA (US)

(73) Assignee: **DePuy Synthes Products, LLC**, Raynham, MA (US)

(**) Term: **14 Years**

(21) Appl. No.: **29/434,269**

(22) Filed: **Oct. 11, 2012**

(51) **LOC (9) Cl.** **24-02**

(52) **U.S. Cl.**
USPC **D24/143; D7/653**

(58) **Field of Classification Search**
USPC D24/133, 143, 146-148, 155; D8/52, D8/56-58; D7/653, 683; 30/129, 131-132, 30/137, 147-148, 150, 322; 623/17.18, 16.11, 623/17.19, 17.17; 606/51-53, 151, 170-171, 606/86 R, 205-208, 167, 174, 183, 213
See application file for complete search history.

(56) **References Cited**

U.S. PATENT DOCUMENTS

130,923	A *	8/1872	Laurence	30/137
D245,918	S *	9/1977	Shen	D24/140
4,610,252	A *	9/1986	Catalano	606/207
5,026,385	A *	6/1991	Schutte et al.	606/167
5,217,463	A *	6/1993	Mikhail	606/86 R

5,391,169	A *	2/1995	McGuire	606/86 R
5,997,567	A *	12/1999	Cangelosi	606/210
D432,875	S *	10/2000	Begley et al.	D7/683
D513,689	S *	1/2006	Bodum	D7/653
7,241,292	B2 *	7/2007	Hooven	606/51

* cited by examiner

Primary Examiner — Wan Laymon

(74) *Attorney, Agent, or Firm* — Woodcock Washburn LLP

(57) **CLAIM**

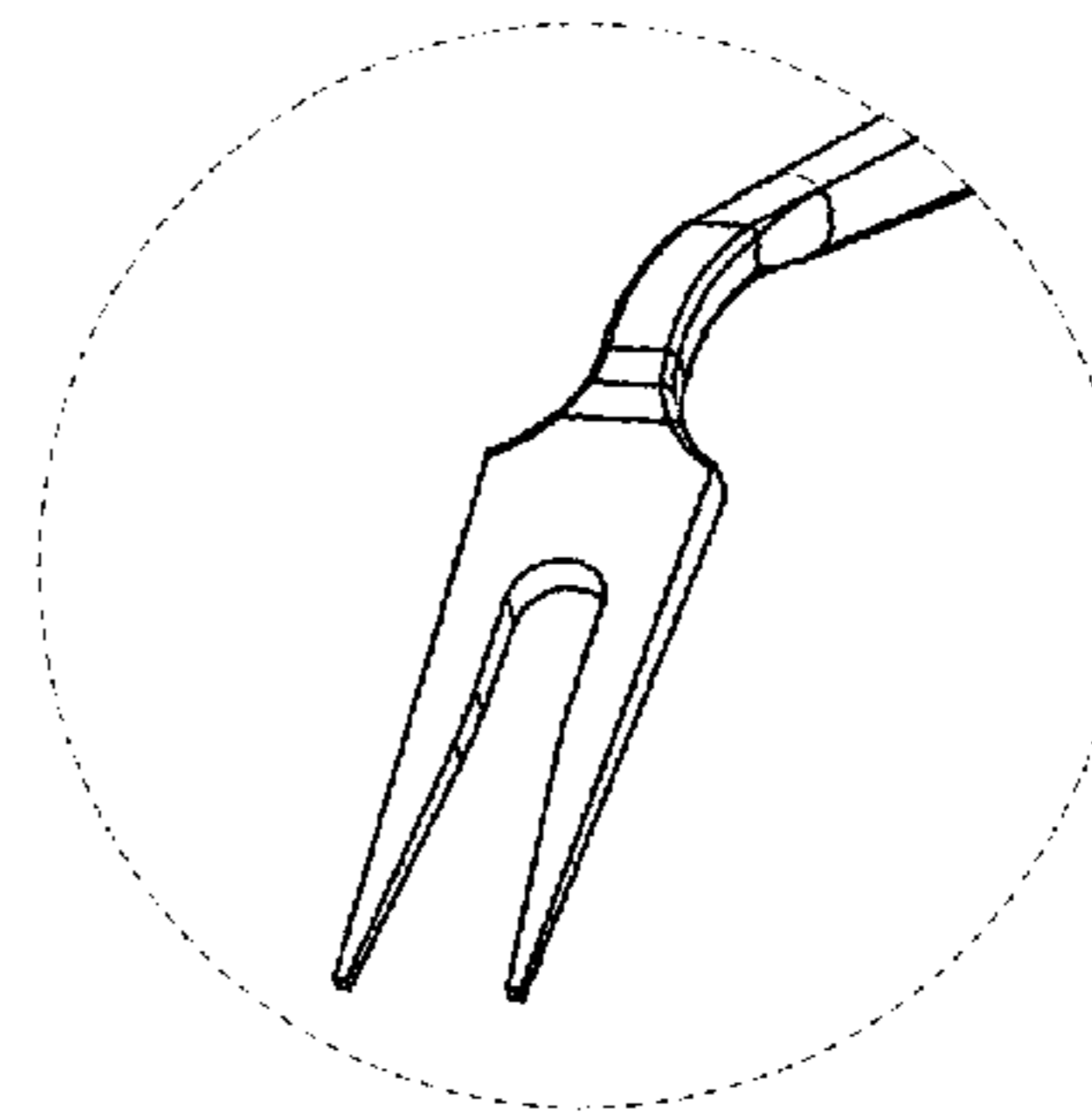
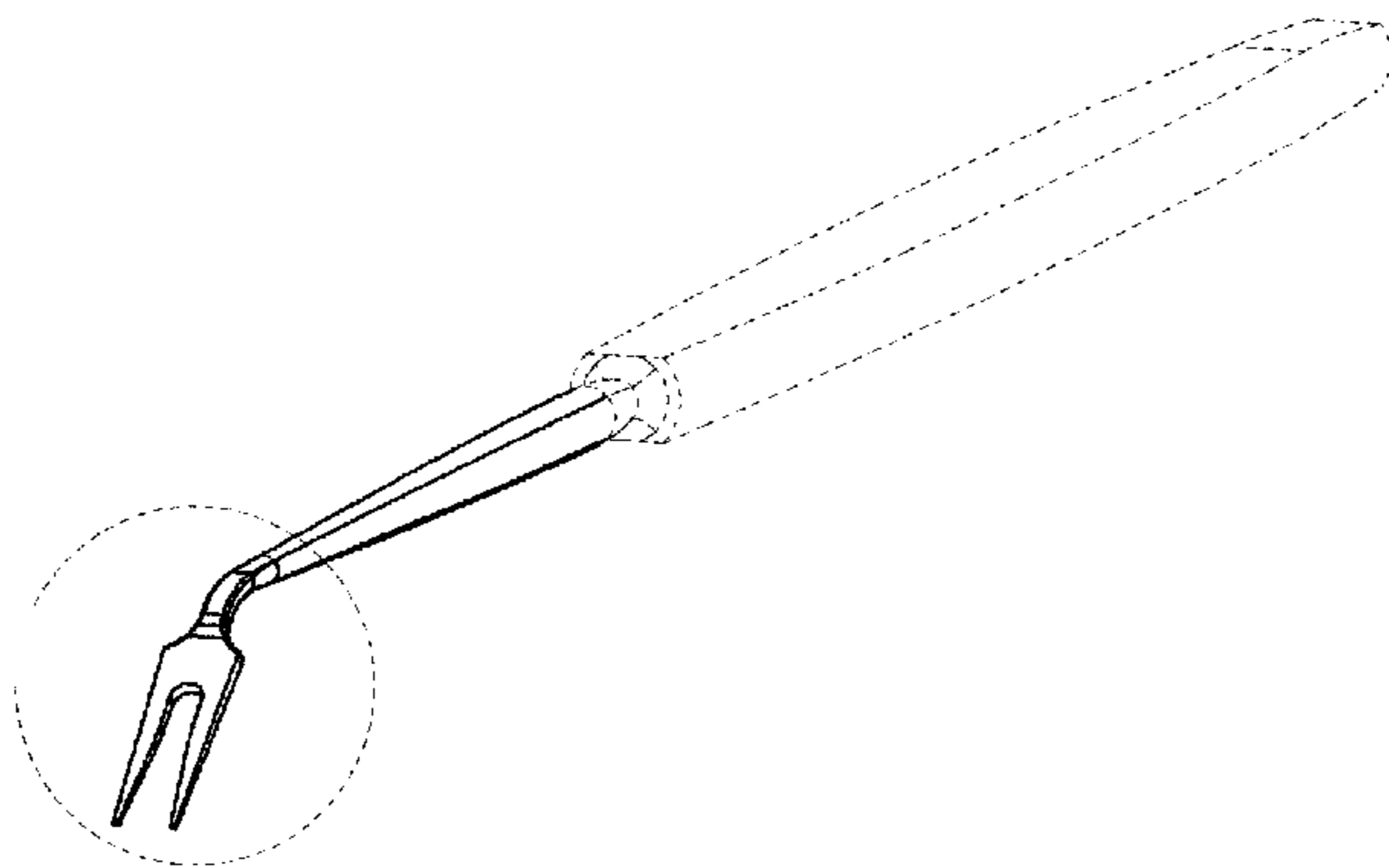
We claim the ornamental design for a surgical instrument, as shown and described.

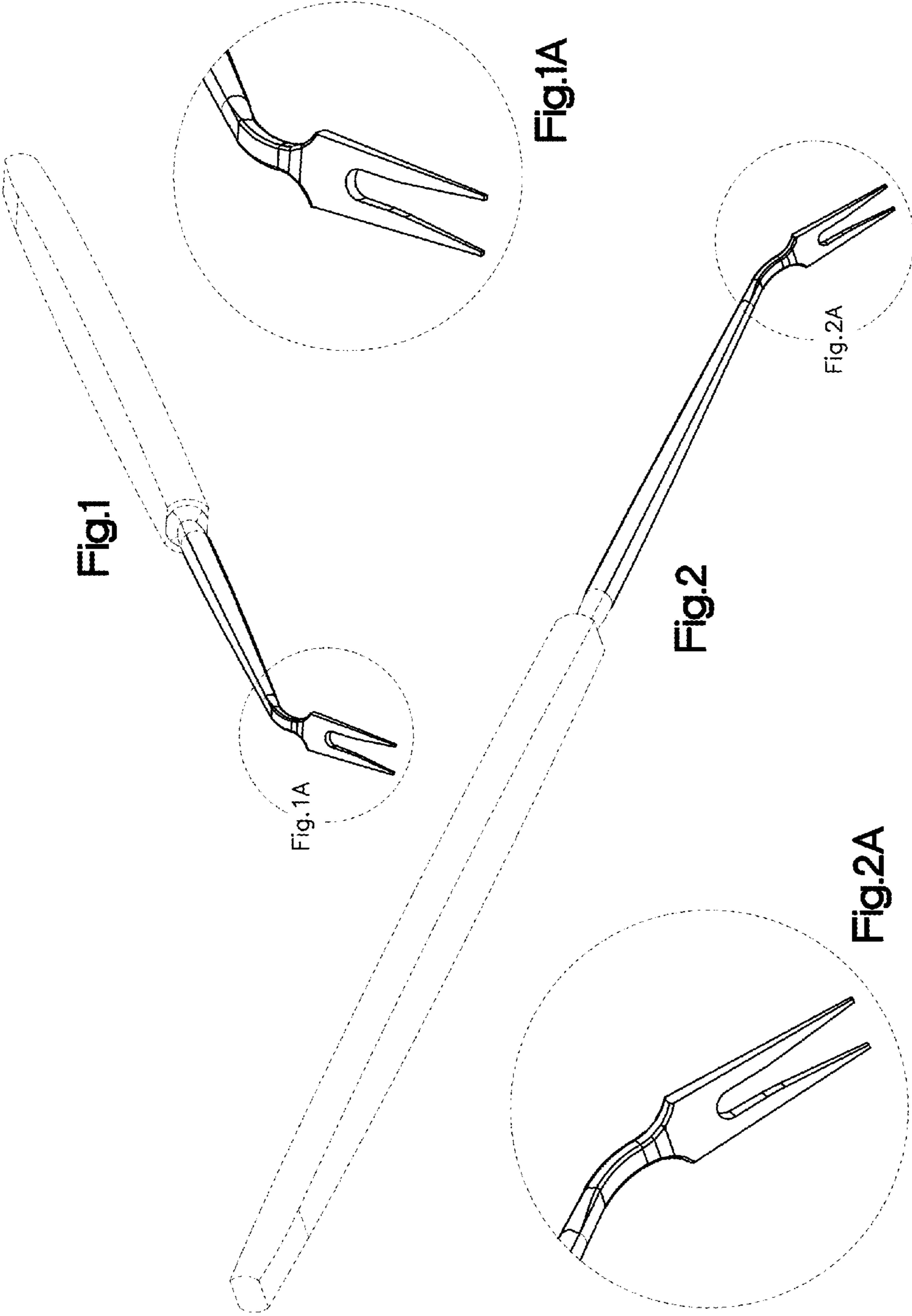
DESCRIPTION

FIG. 1 is a top, left, front perspective view of a surgical instrument according to our design;
FIG. 1A is an enlarged top, left, front perspective view of a portion thereof;
FIG. 2 is a bottom, right, rear perspective view thereof;
FIG. 2A is an enlarged bottom, right, rear perspective view of a portion thereof;
FIG. 3 is a left side elevation view thereof;
FIG. 4 is a right side elevation view thereof;
FIG. 5 is a bottom plan view thereof;
FIG. 6 is a top plan view thereof;
FIG. 7 is a front elevation view thereof; and,
FIG. 8 is a rear elevation view thereof.

The broken line portion of the figure drawings is included to show unclaimed subject matter only for the purpose of illustrating environment and forms no part of the claimed design. In a preferred embodiment, the nature of this product is a surgical instrument that can align an implant, such as a malar implant, with an underlying boney structure.

1 Claim, 2 Drawing Sheets





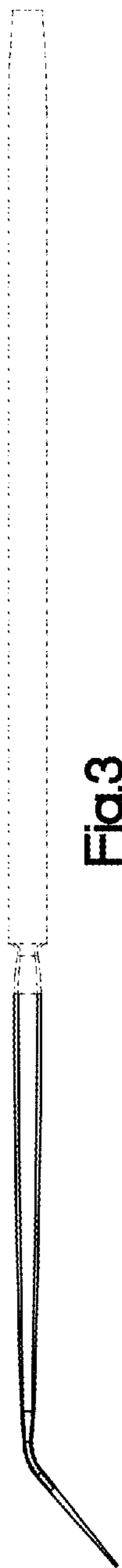


Fig.3

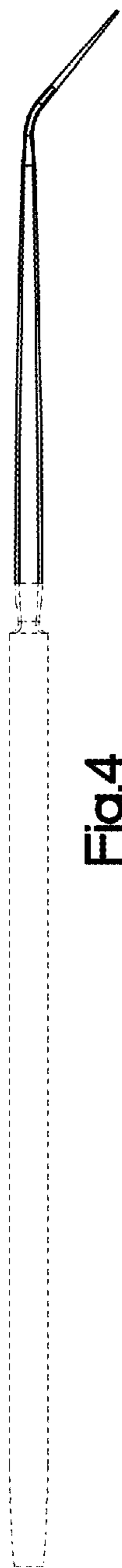


Fig.4



Fig.5



Fig.6

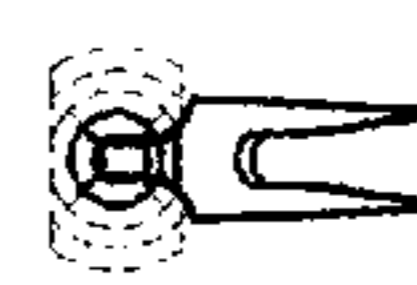


Fig.7



Fig.8