



US00D685088S

(12) **United States Design Patent**  
**Yaremchuk et al.**

(10) **Patent No.:** **US D685,088 S**  
(45) **Date of Patent:** **\*\* Jun. 25, 2013**

(54) **SURGICAL INSTRUMENT**

(71) Applicants: **Michael J. Yaremchuk**, Lynnfield, MA (US); **Eric Lui**, West Chester, PA (US); **Jay Schlink**, West Chester, PA (US)

(72) Inventors: **Michael J. Yaremchuk**, Lynnfield, MA (US); **Eric Lui**, West Chester, PA (US); **Jay Schlink**, West Chester, PA (US)

(73) Assignee: **DePuy Synthes Products, LLC**, Raynham, MA (US)

(\*\*) Term: **14 Years**

(21) Appl. No.: **29/434,260**

(22) Filed: **Oct. 11, 2012**

(51) **LOC (9) Cl.** ..... **24-02**

(52) **U.S. Cl.**  
USPC ..... **D24/143**

(58) **Field of Classification Search**  
USPC ..... D24/133, 143, 146-148, 155; D8/52, D8/56-58; D7/653, 683; 30/129, 131-132, 30/137, 147-148, 150, 322; 623/17.18, 16.11, 623/17.19, 17.17; 606/51-53, 151, 170-171, 606/86 R, 205-208, 167, 174, 183, 213  
See application file for complete search history.

(56) **References Cited**

**U.S. PATENT DOCUMENTS**

4,671,274 A \* 6/1987 Sorochenko ..... 606/51  
D488,229 S \* 4/2004 Rinner et al. .... D24/143  
6,889,694 B2 \* 5/2005 Hooven ..... 606/51  
7,001,382 B2 \* 2/2006 Gallo, Sr. .... 606/171  
7,264,623 B2 \* 9/2007 Harris et al. .... 606/207

D566,271 S \* 4/2008 Gao et al. .... D24/143  
2007/0156171 A1 \* 7/2007 Lang et al. .... 606/205  
2012/0330427 A1 \* 12/2012 Yaremchuk ..... 623/17.18

\* cited by examiner

*Primary Examiner* — Wan Laymon

(74) *Attorney, Agent, or Firm* — Woodcock Washburn LLP

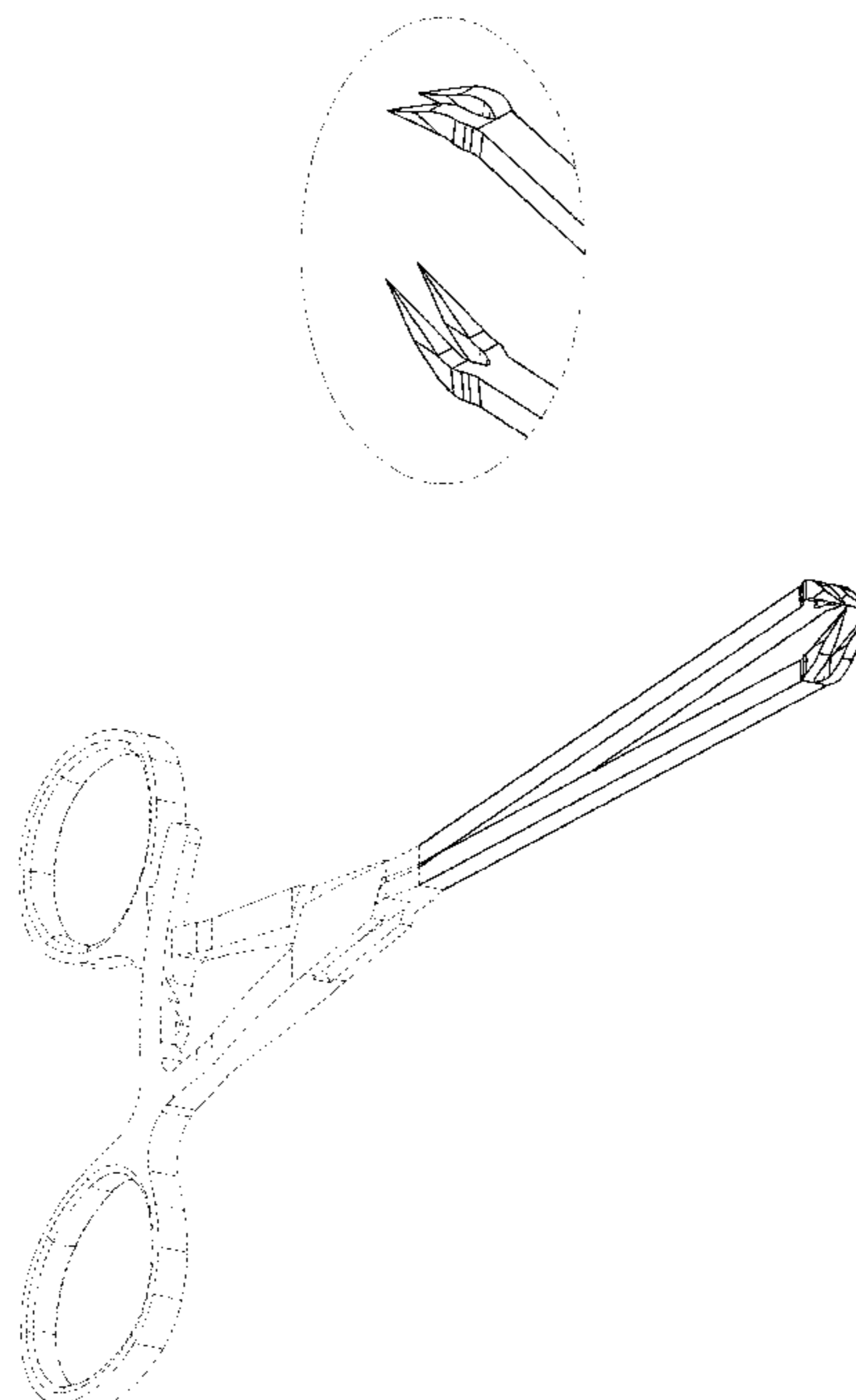
(57) **CLAIM**

We claim the ornamental design for a surgical instrument, as shown and described.

**DESCRIPTION**

FIG. 1 is a top, left, rear perspective view of a surgical instrument in an open configuration according to our design; FIG. 1A is an enlarged top, left, rear perspective view of a portion thereof; FIG. 2 is a bottom, right, front perspective view thereof; FIG. 2A is an enlarged bottom, right, front perspective view of a portion thereof; FIG. 3 is a left side elevation view thereof; FIG. 4 is a right side elevation view thereof; FIG. 5 is a top plan view thereof; FIG. 6 is a bottom plan view thereof; FIG. 7 is a front elevation view thereof; FIG. 8 is a rear elevation view thereof; FIG. 9 is a top, left, rear, perspective view of the surgical instrument in a closed configuration; and, FIG. 10 is a bottom, right, front perspective view of the surgical instrument in a closed configuration. The broken line portion of the figure drawings is included to show unclaimed subject matter only for the purpose of illustrating environment and forms no part of the claimed design.

**1 Claim, 7 Drawing Sheets**



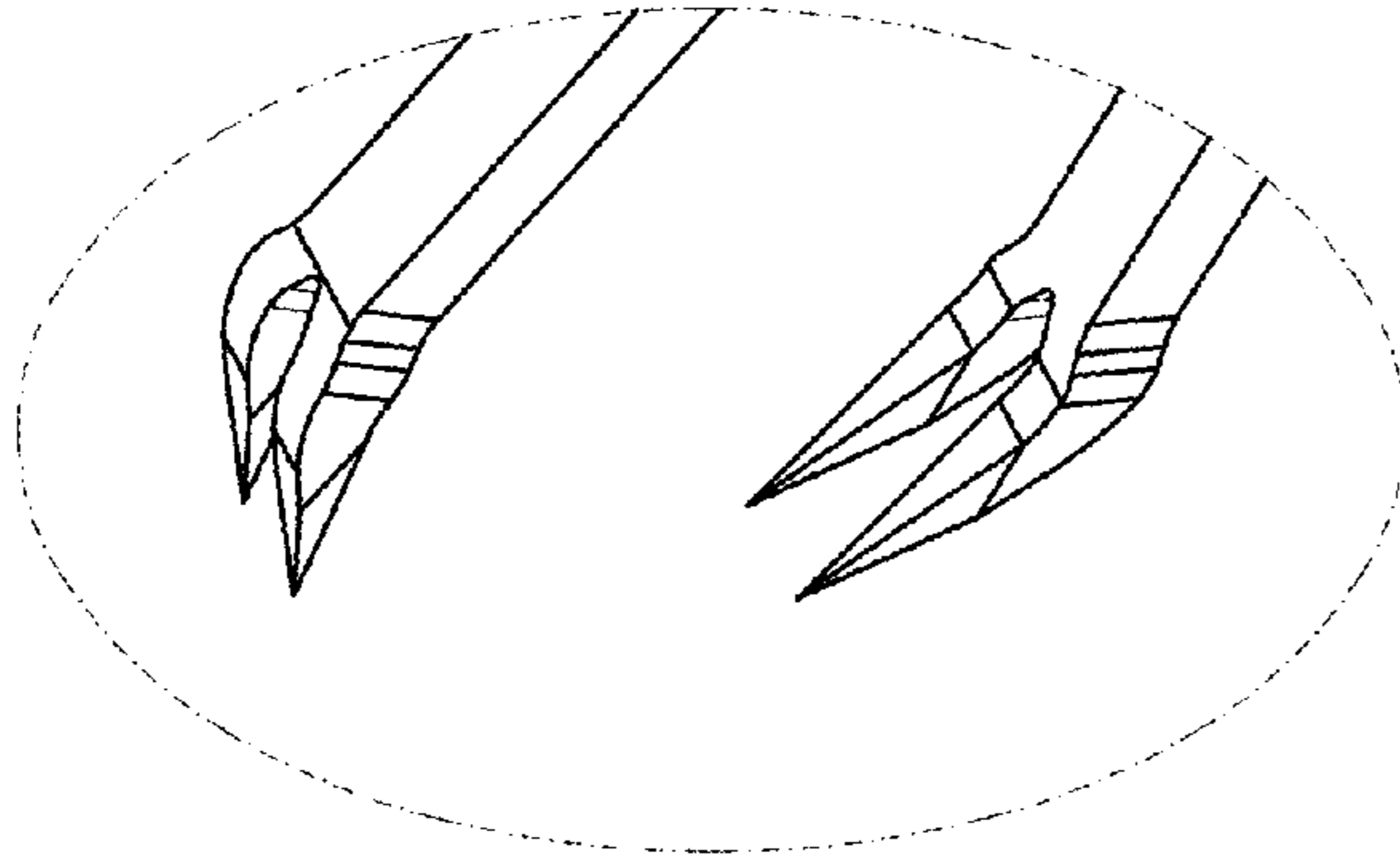


Fig.1A

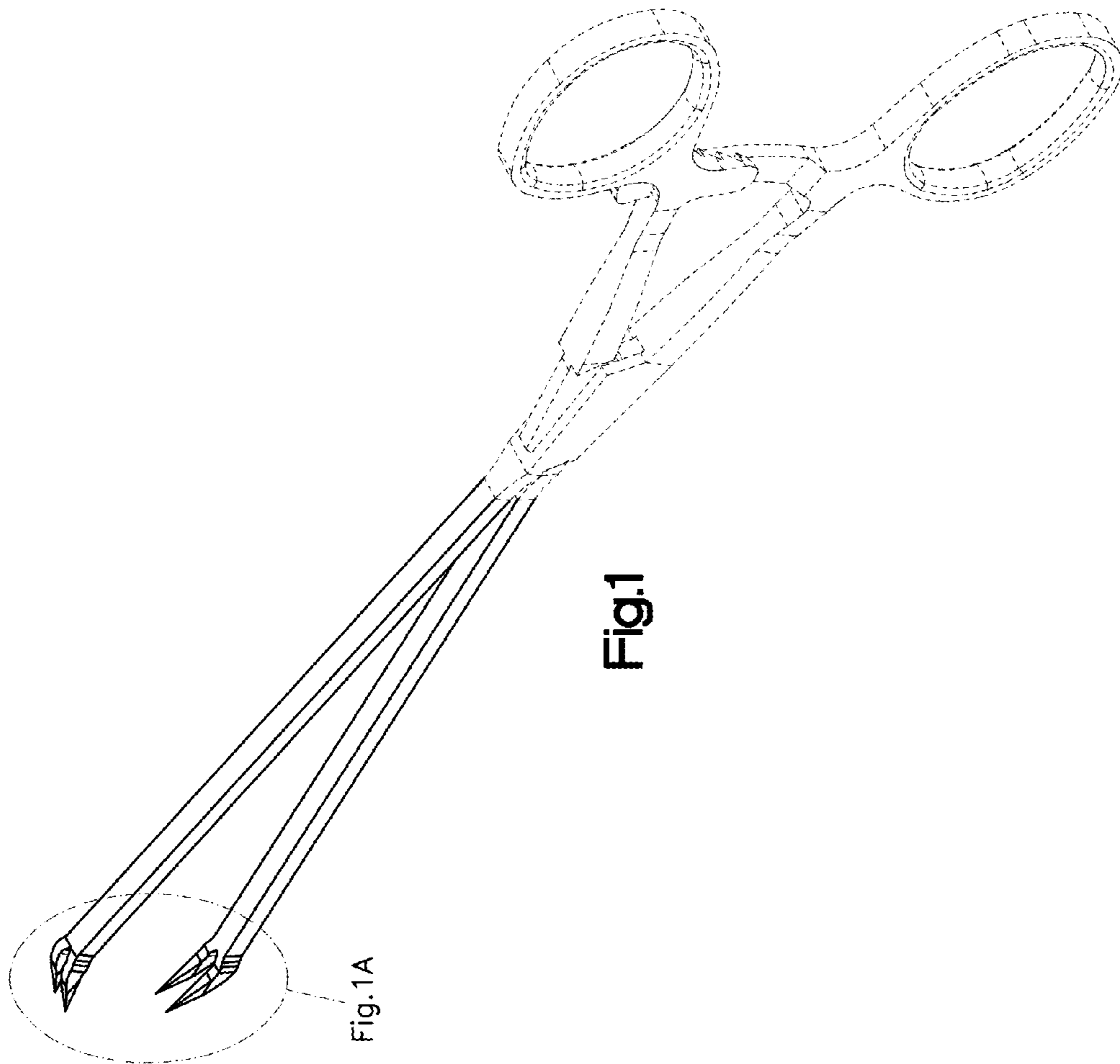
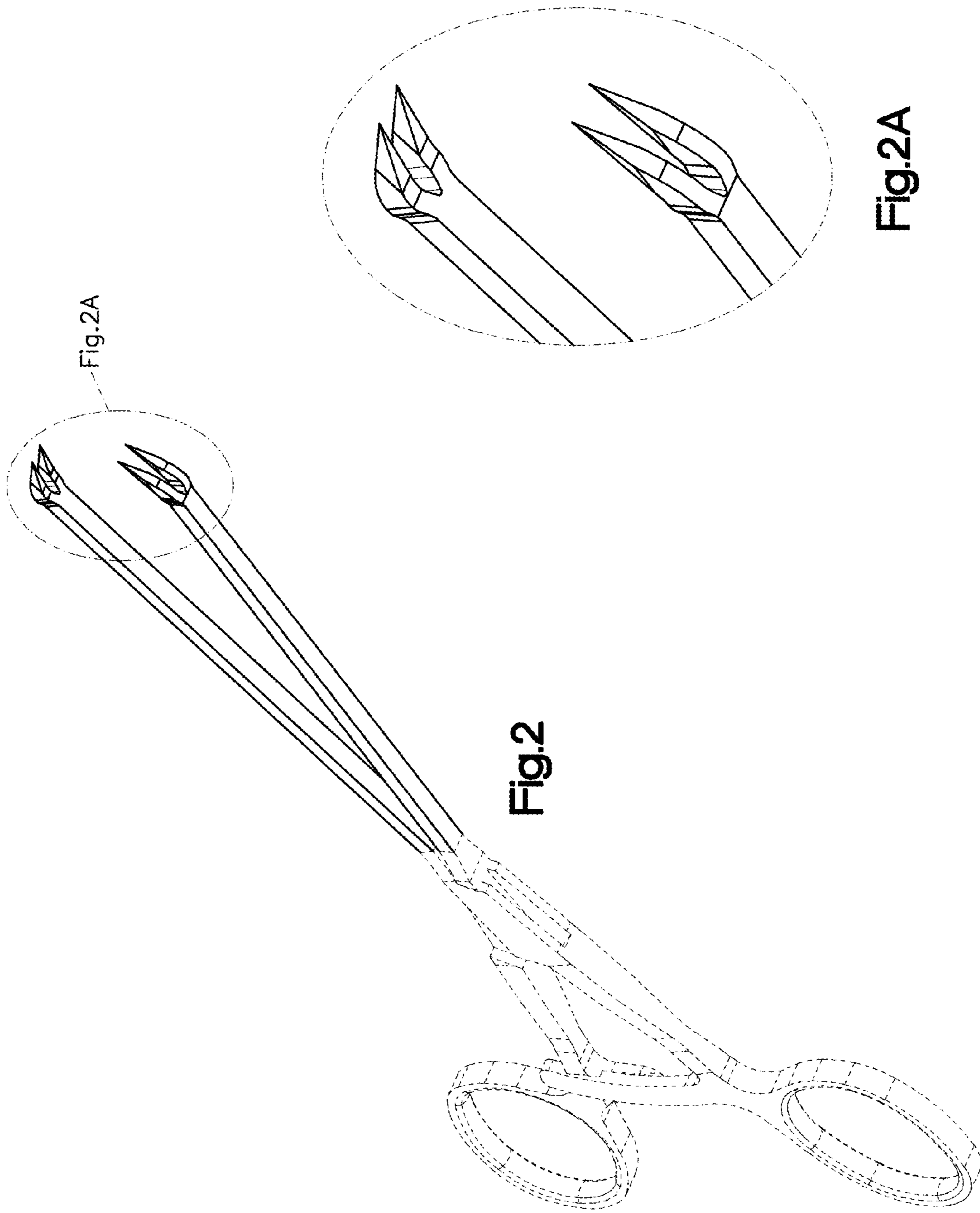


Fig.1

Fig.1A



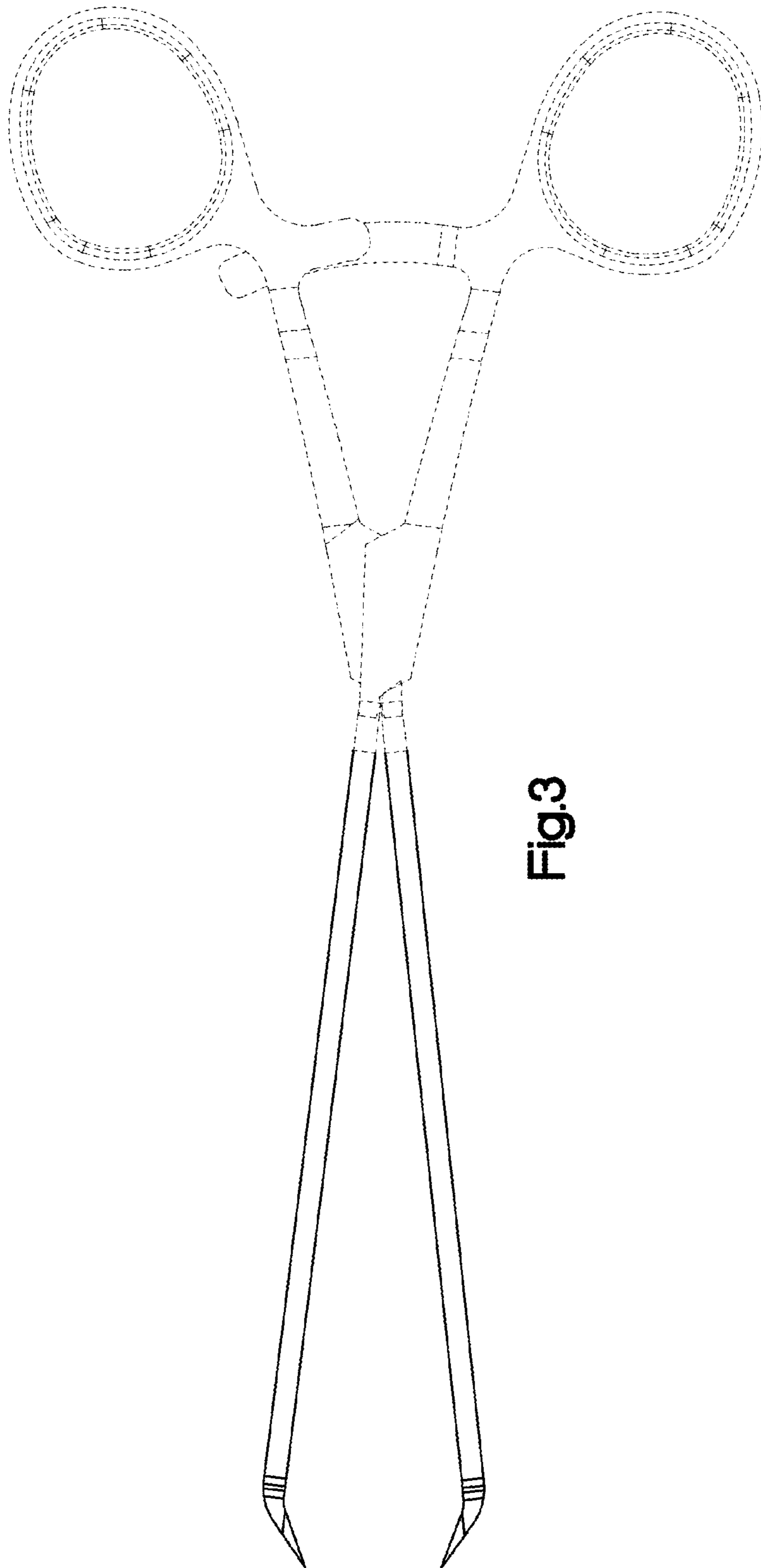


Fig.3

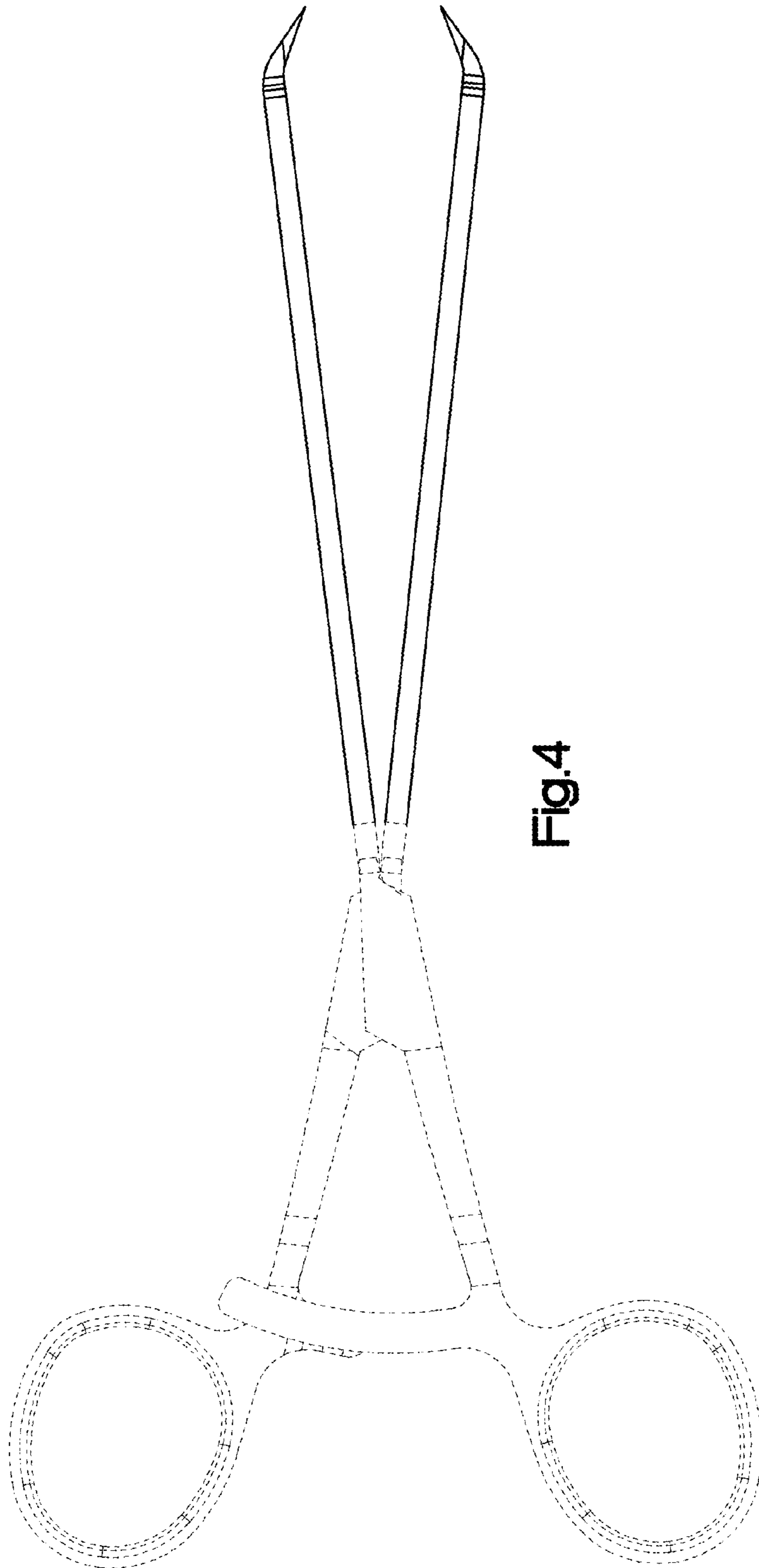


Fig.4

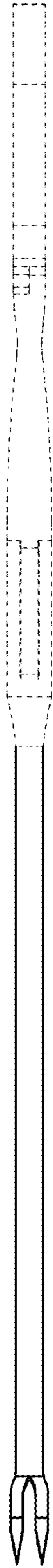


Fig.5

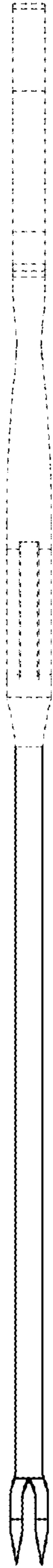


Fig.6

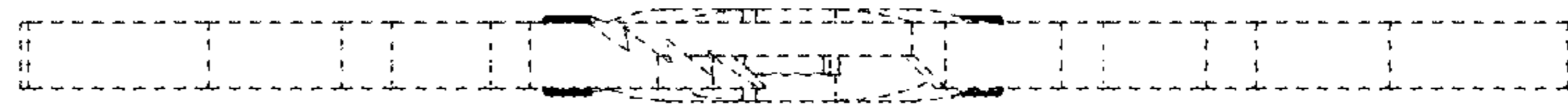


Fig.8



Fig.7



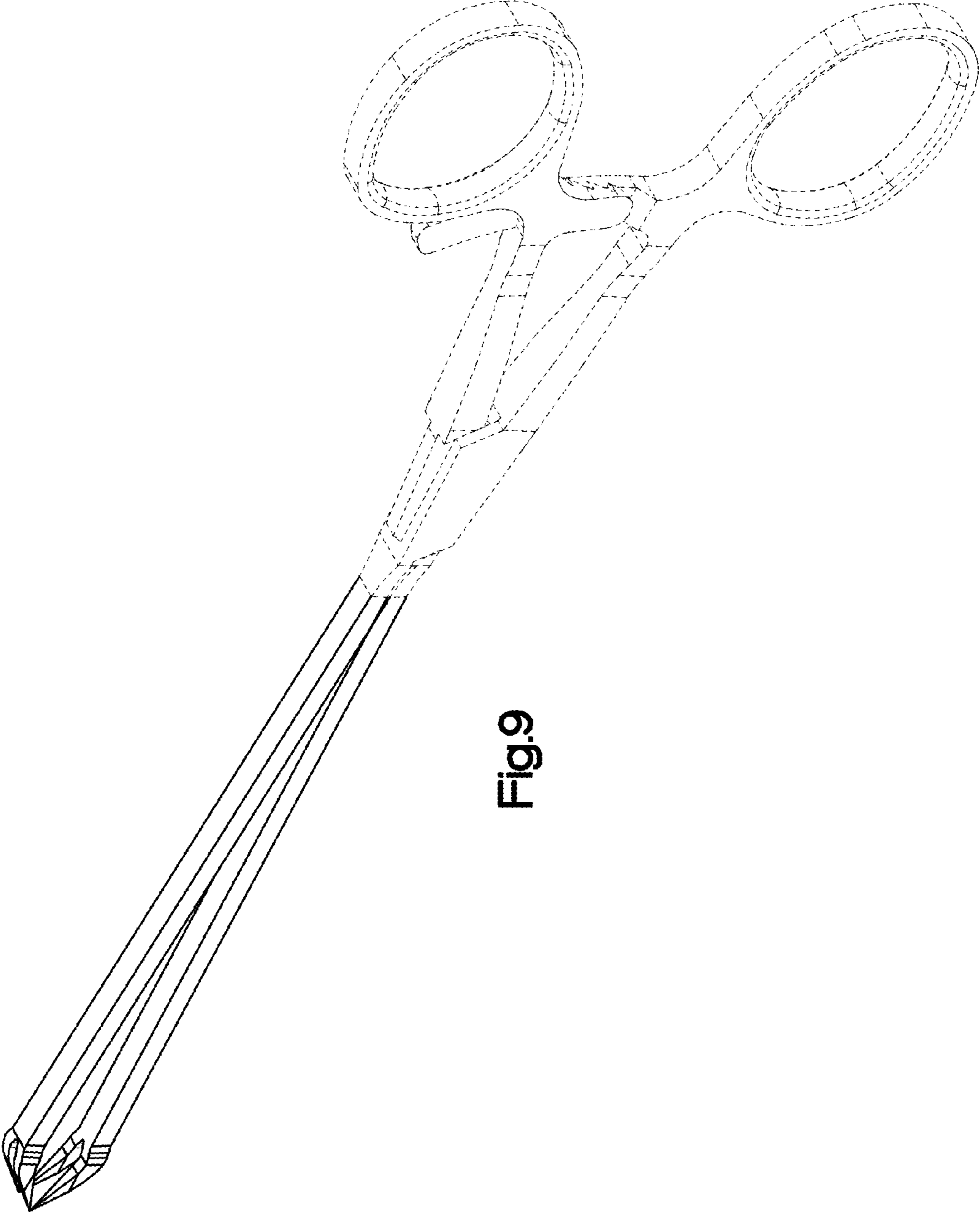


Fig.9

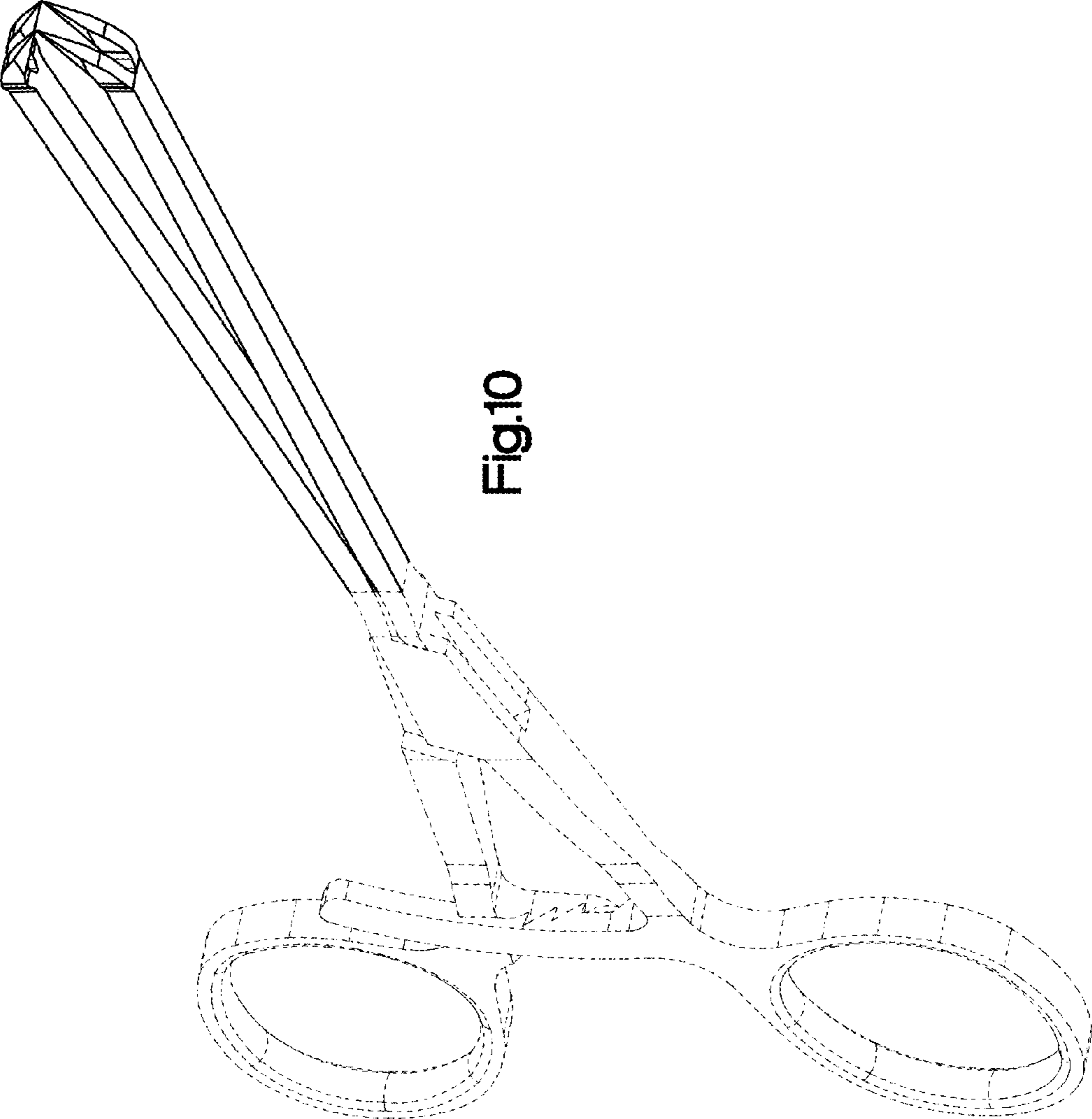


Fig.10