



US00D685082S

(12) **United States Design Patent**
Mena

(10) **Patent No.:** **US D685,082 S**
(45) **Date of Patent:** **** Jun. 25, 2013**

- (54) **CONDOM**
- (76) Inventor: **Obed Ortiz Mena**, Miami, FL (US)
- (**) Term: **14 Years**
- (21) Appl. No.: **29/411,420**
- (22) Filed: **Jan. 20, 2012**

D498,894	S	*	11/2004	Gould	D99/27
D566,831	S	*	4/2008	Lopez	D24/105
D601,004	S	*	9/2009	Hagins	D8/387
D612,230	S	*	3/2010	Tanner	D8/387
D657,042	S	*	4/2012	Sedic	D24/105
2009/0272383	A1	*	11/2009	Wish	128/844
2011/0021870	A1	*	1/2011	Lee	600/38
2011/0041856	A1	*	2/2011	Mistler	128/844

* cited by examiner

Related U.S. Application Data

- (63) Continuation-in-part of application No. 29/349,037, filed on Mar. 3, 2010, now abandoned.
- (51) **LOC (9) Cl.** **28-01**
- (52) **U.S. Cl.**
USPC **D24/105**
- (58) **Field of Classification Search**
USPC 99/105; 128/839-841, 844; 604/347, 604/346, 349; 600/38, 203; D99/27; D8/387
See application file for complete search history.

Primary Examiner — Ian Simmons

Assistant Examiner — Eleni H Aldridge

(74) *Attorney, Agent, or Firm* — Malloy & Malloy, P.L.

(57) **CLAIM**

The ornamental design for a condom, as shown and described.

DESCRIPTION

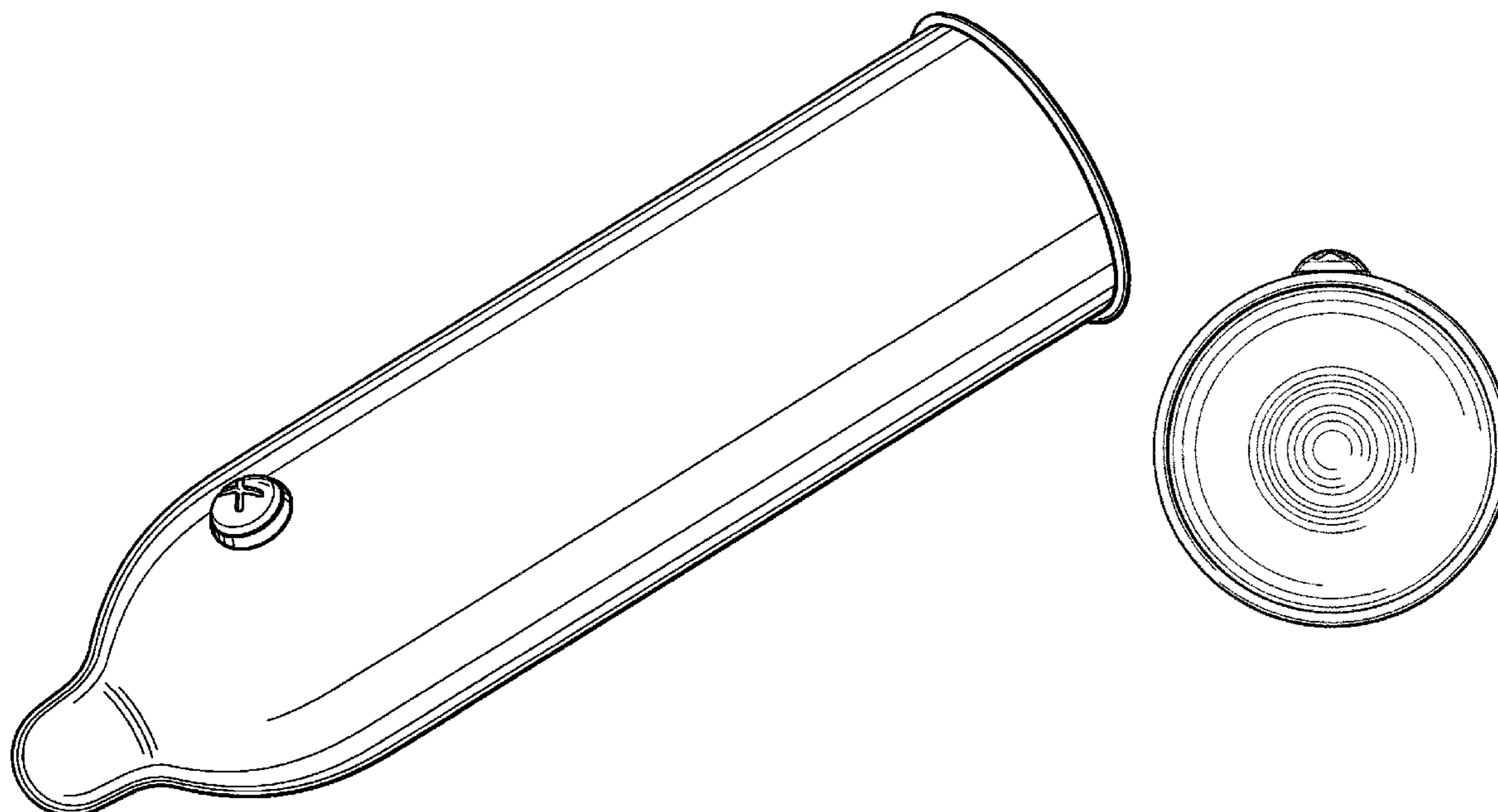
FIG. 1 is a top perspective view illustrating my design for a condom;
 FIG. 2 is a right side view thereof;
 FIG. 3 is a front view thereof;
 FIG. 4 is a top view thereof;
 FIG. 5 is a rear view thereof;
 FIG. 6 is a bottom view thereof; and,
 FIG. 7 is a left side view thereof.

(56) **References Cited**

U.S. PATENT DOCUMENTS

5,082,004	A	*	1/1992	Reddy	128/844
D414,553	S	*	9/1999	Gonzalez	D24/105
6,182,661	B1	*	2/2001	Solanki et al.	128/844
D439,969	S	*	4/2001	Strauss et al.	D24/105

1 Claim, 6 Drawing Sheets



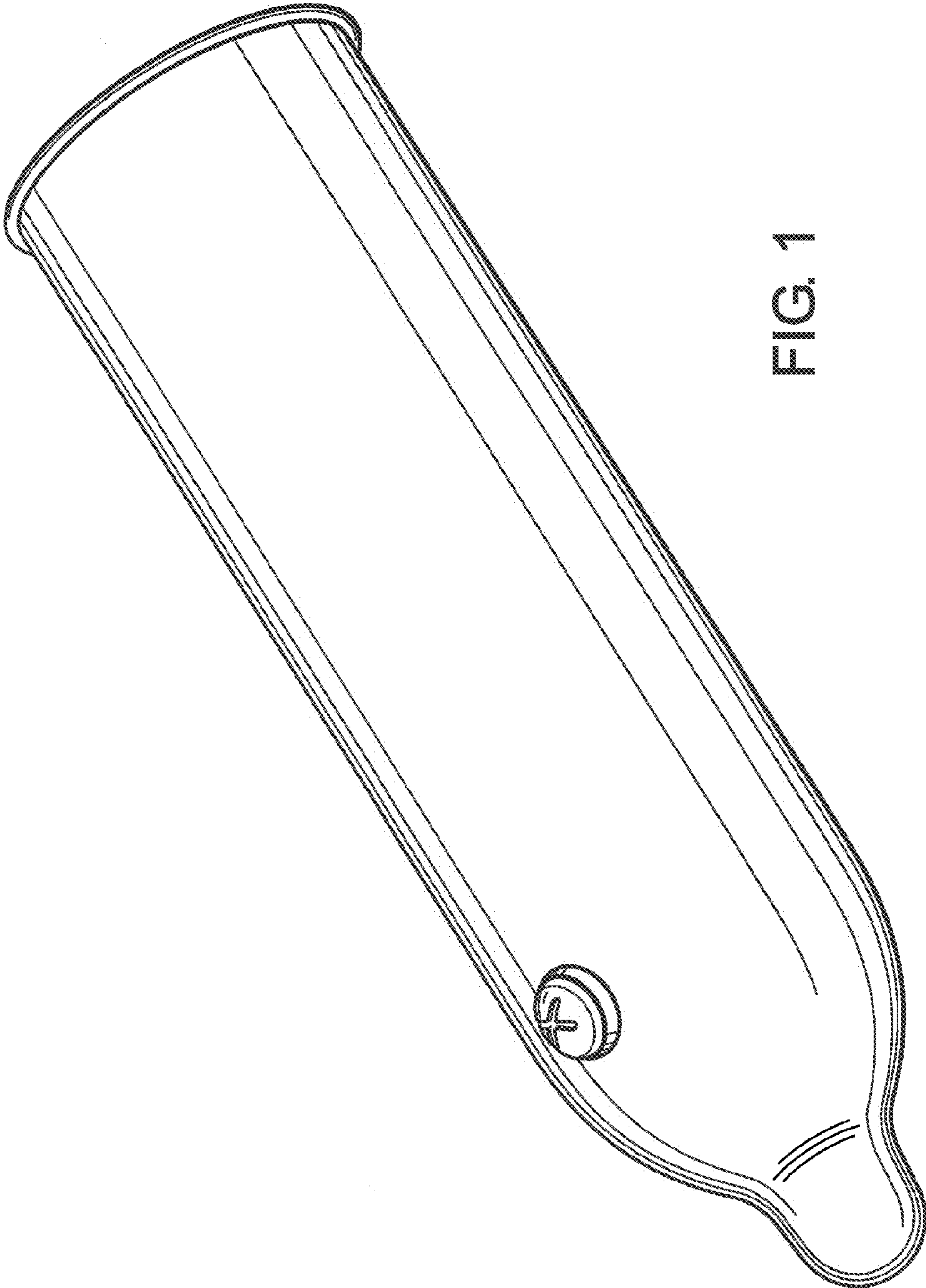


FIG. 1

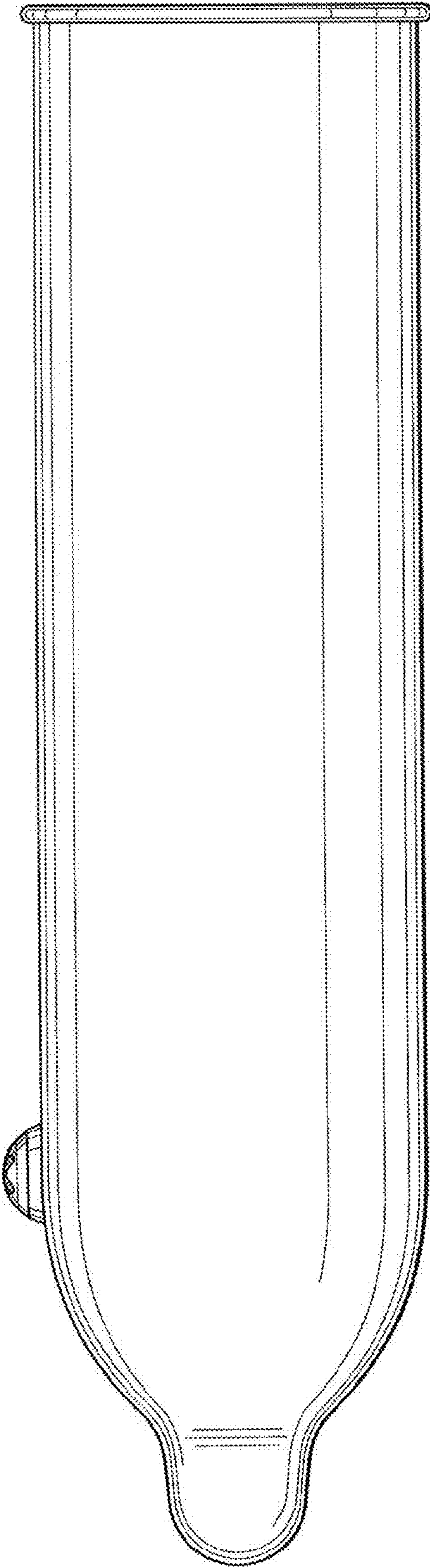


FIG. 2

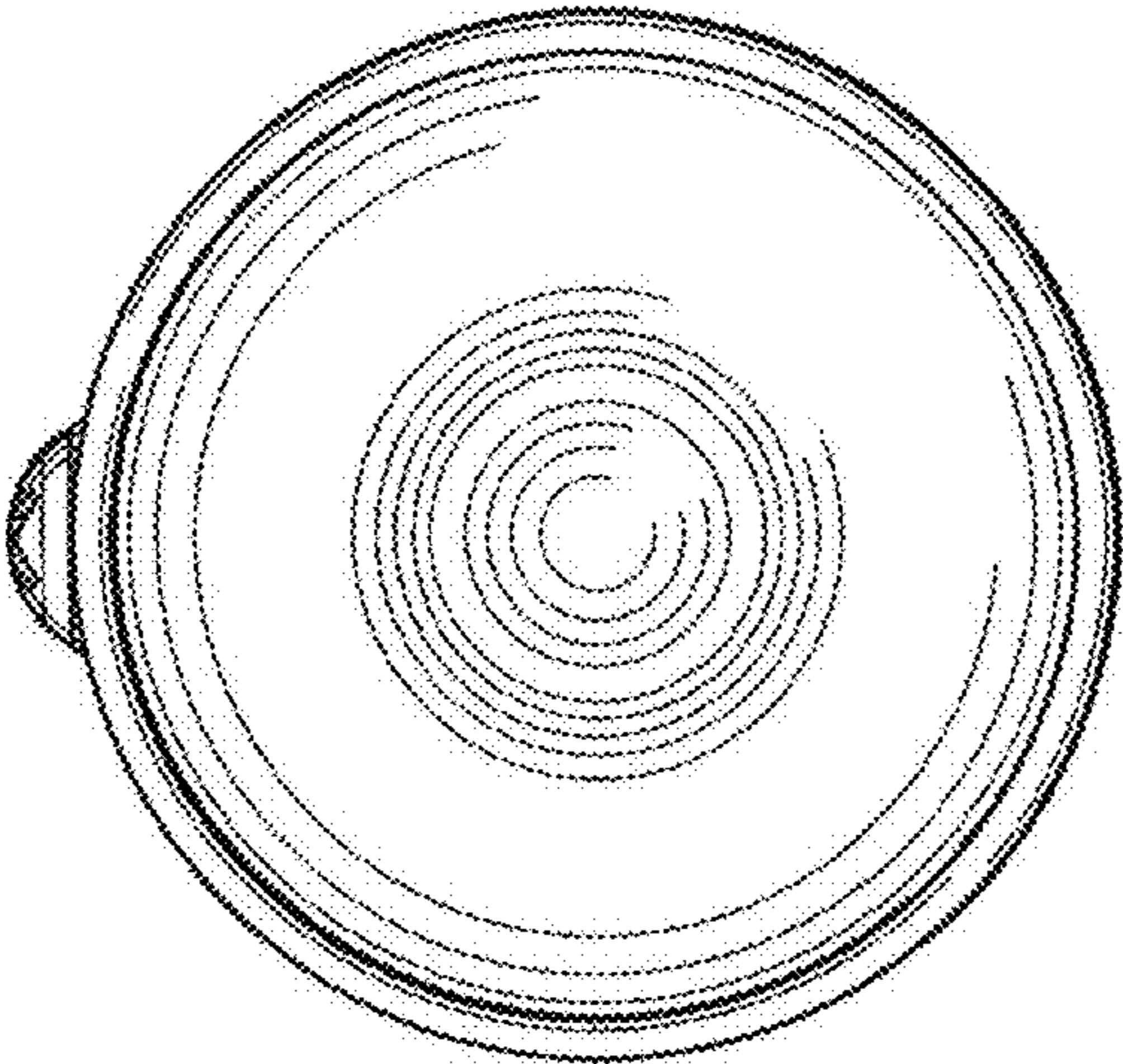


FIG. 5

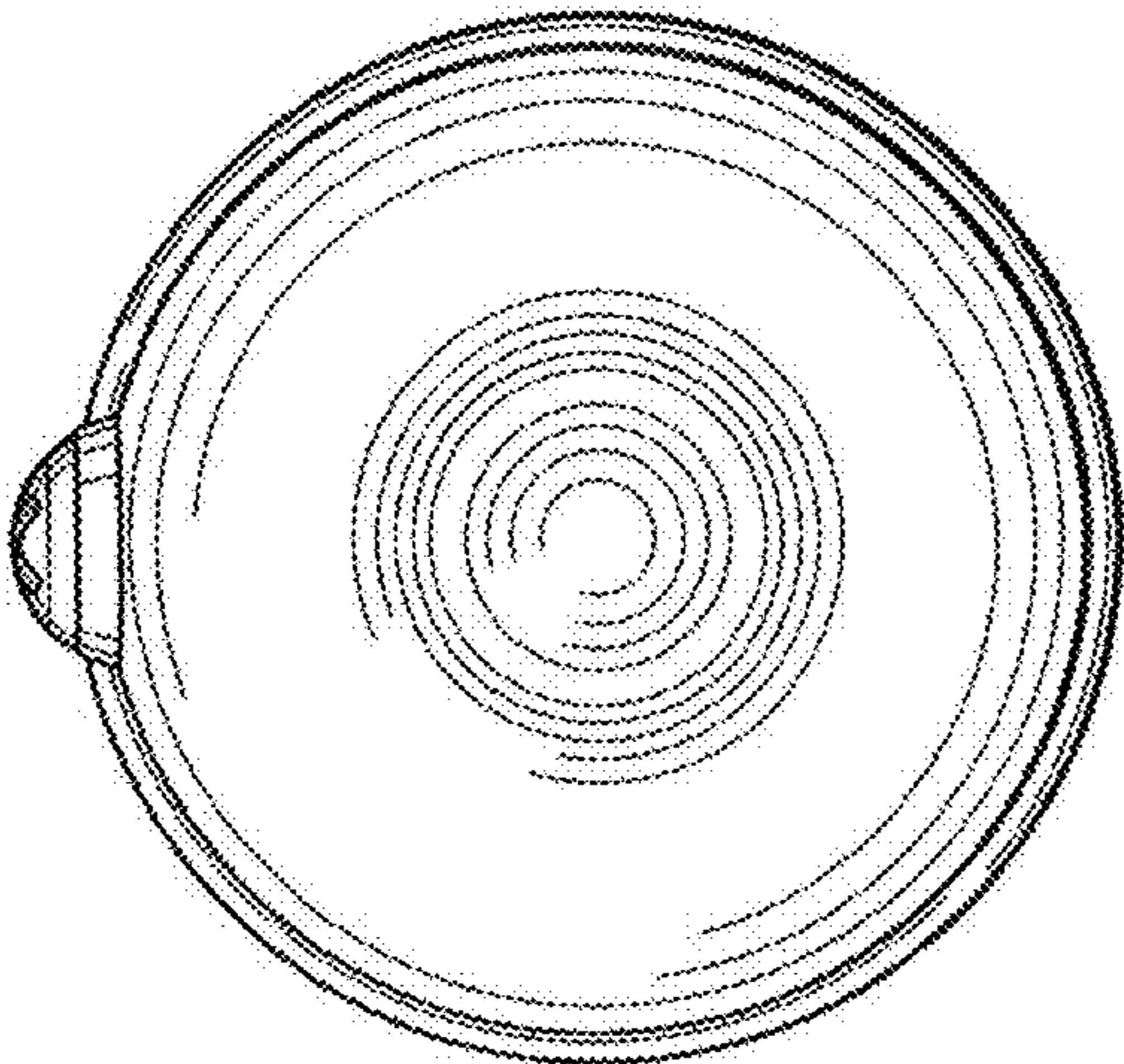


FIG. 3

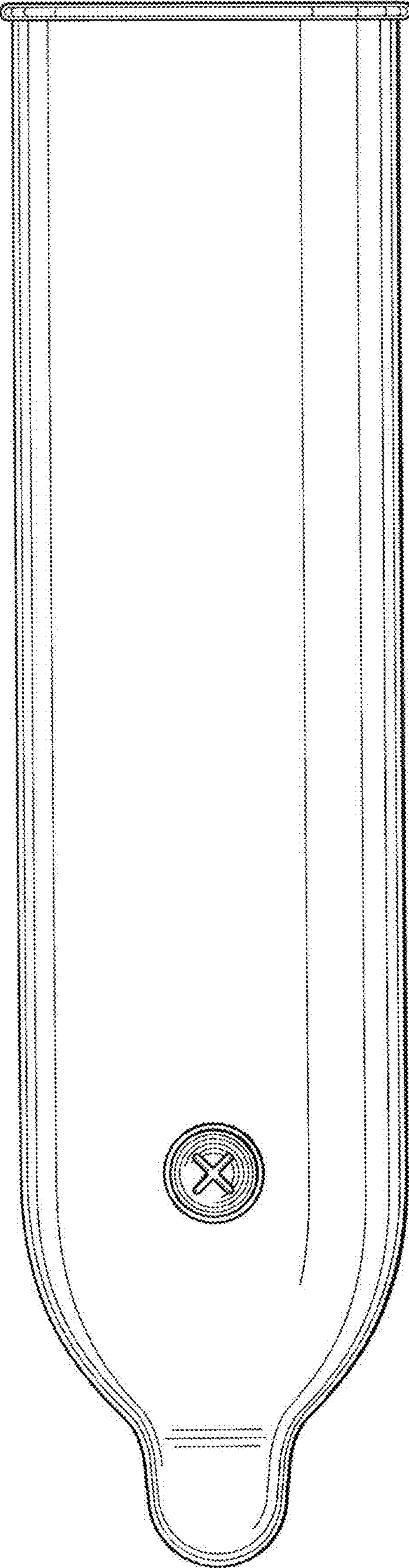


FIG. 4

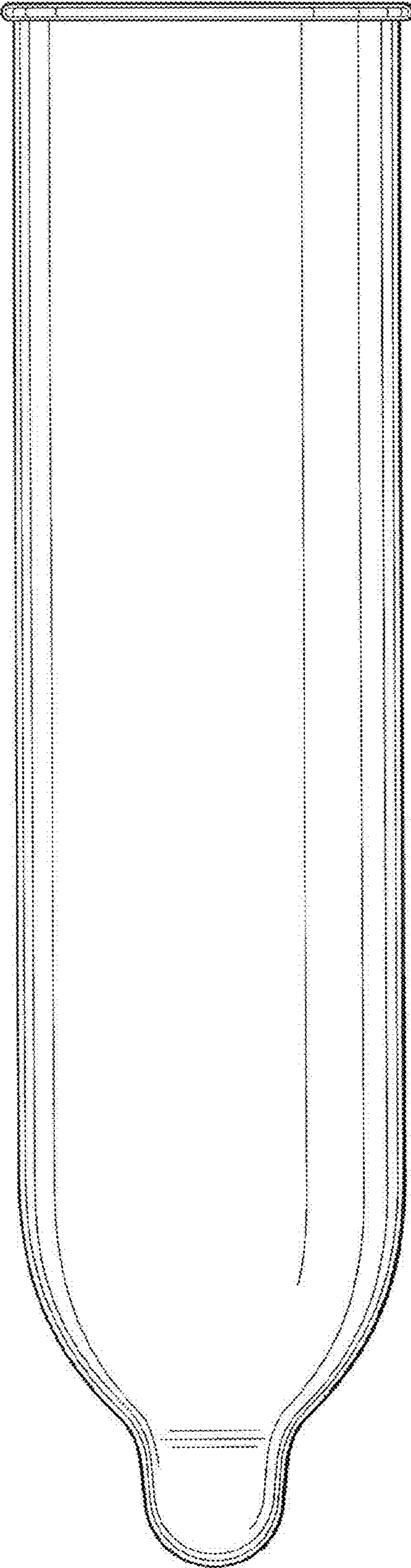


FIG. 6

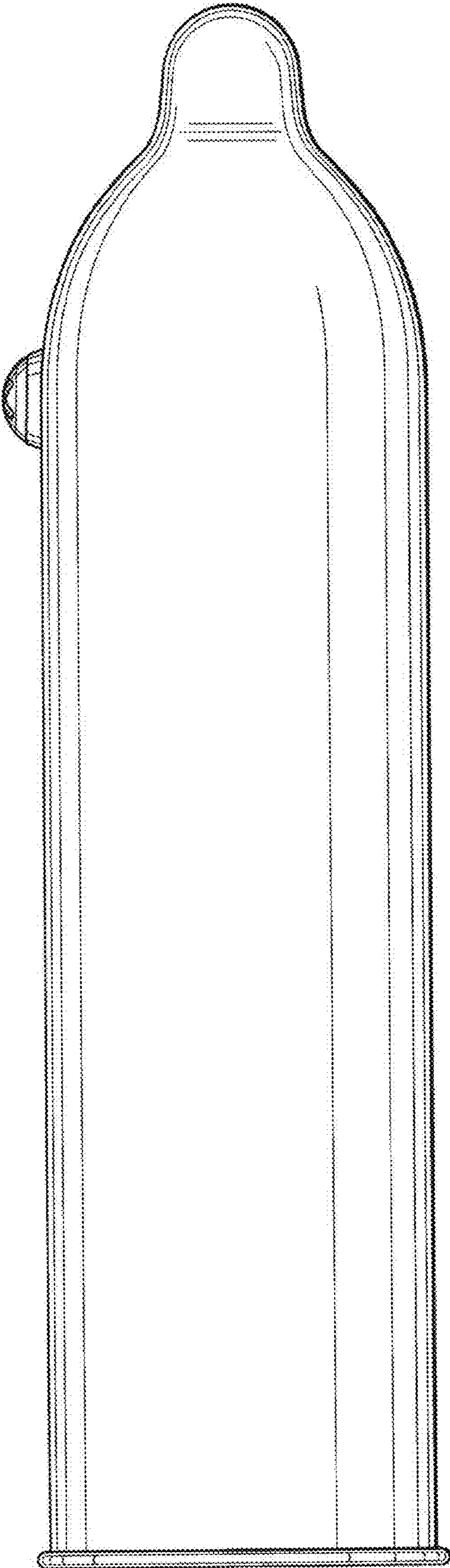


FIG. 7