



US00D685075S

(12) **United States Design Patent**
Abbondanzio et al.

(10) **Patent No.:** **US D685,075 S**
(45) **Date of Patent:** **** Jun. 25, 2013**

(54) **DISPENSER HOUSING**

(56) **References Cited**

(71) Applicants: **Matthew Abbondanzio**, Milwaukee, WI (US); **George Kyaw Soe Maung Aye**, Chicago, IL (US); **Jeffrey Allan Gershune**, Chicago, IL (US); **Joseph Thomas Graceffa**, Chicago, IL (US); **Maria Dora Lalli**, Chicago, IL (US); **David Brian Seal**, Chicago, IL (US)

(72) Inventors: **Matthew Abbondanzio**, Milwaukee, WI (US); **George Kyaw Soe Maung Aye**, Chicago, IL (US); **Jeffrey Allan Gershune**, Chicago, IL (US); **Joseph Thomas Graceffa**, Chicago, IL (US); **Maria Dora Lalli**, Chicago, IL (US); **David Brian Seal**, Chicago, IL (US)

(73) Assignee: **S.C. Johnson & Son, Inc.**, Racine, WI (US)

(**) Term: **14 Years**

(21) Appl. No.: **29/433,647**

(22) Filed: **Oct. 2, 2012**

Related U.S. Application Data

(62) Division of application No. 29/383,794, filed on Jan. 21, 2011, now Pat. No. Des. 672,858, which is a division of application No. 29/359,828, filed on Apr. 15, 2010, now Pat. No. Des. 634,415.

(51) **LOC (9) Cl.** **28-99**

(52) **U.S. Cl.**
USPC **D23/366**

(58) **Field of Classification Search**
USPC D23/355-369; D28/5, 6; 261/DIG. 17, 261/DIG. 42, DIG. 65, DIG. 88, DIG. 89, 261/DIG. 47, DIG. 55, DIG. 70; 392/356, 392/390, 392, 394, 395; 239/34, 44, 53, 55, 239/56, 326, 60, 308; D9/687; D7/591
See application file for complete search history.

U.S. PATENT DOCUMENTS

D309,497 S	7/1990	Kearnes
D314,045 S	1/1991	DeLuca et al.
5,126,078 A	6/1992	Steiner et al.
D357,977 S	5/1995	Muderlak
5,449,117 A	9/1995	Muderlak et al.
D363,981 S	11/1995	Muderlak
5,613,625 A	3/1997	Specht
D386,564 S	11/1997	Mycroft
5,772,074 A	6/1998	Dial et al.
D406,330 S	3/1999	Chen
D407,477 S	3/1999	Chen

(Continued)

FOREIGN PATENT DOCUMENTS

CA	2001089 A1	3/1991
CA	2327934 A1	10/1999

(Continued)

Primary Examiner — Sandra Snapp

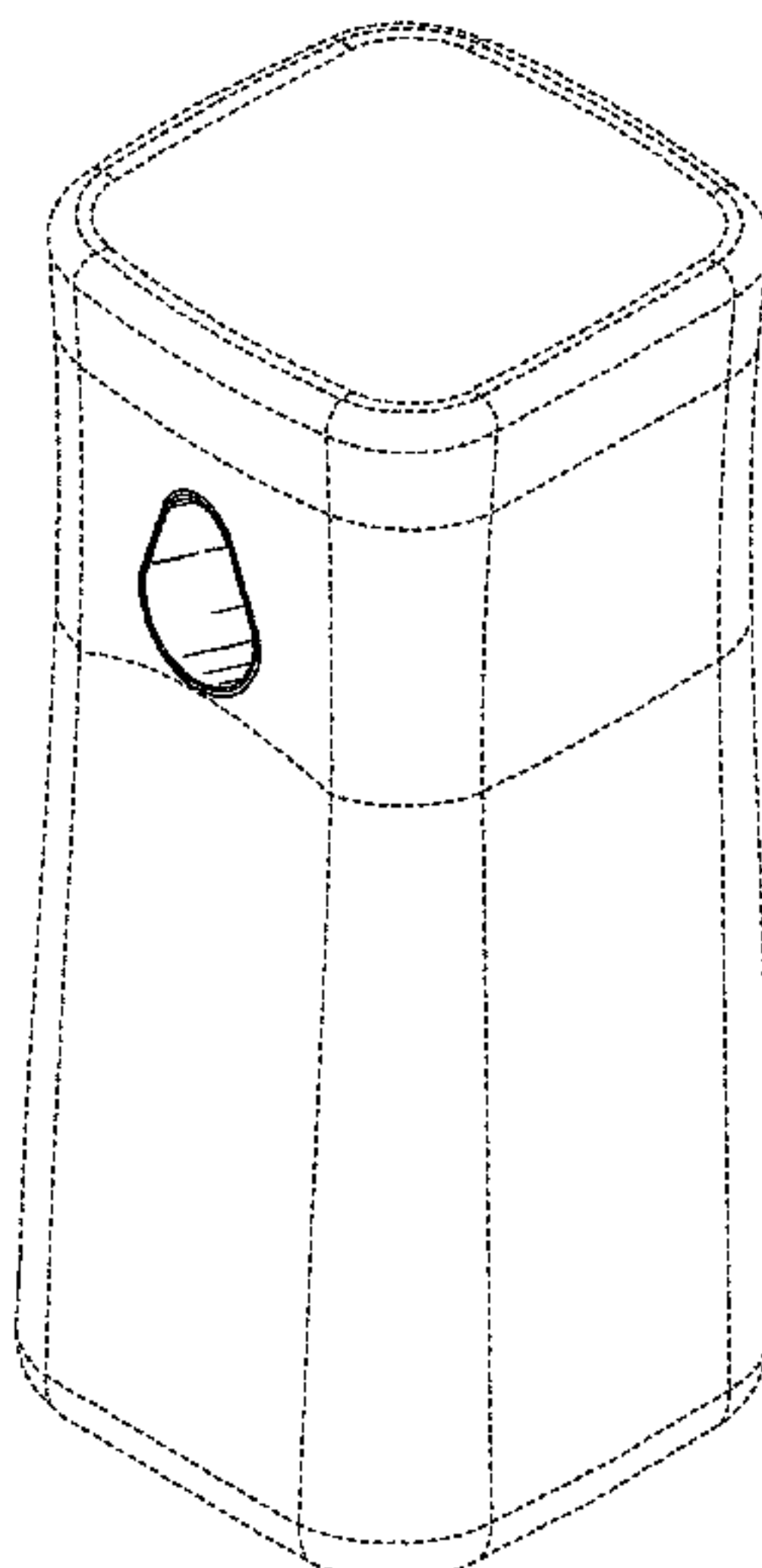
(57) **CLAIM**

The ornamental design for a dispenser housing, as shown and described.

DESCRIPTION

FIG. 1 is an isometric view of a top, front, and right side of a dispenser housing;
FIG. 2 is a front elevational view of the housing of FIG. 1;
FIG. 3 is a rear elevational view of the housing of FIG. 1;
FIG. 4 is a right side elevational view of the housing of FIG. 1;
FIG. 5 is a left side elevational view of the housing of FIG. 1;
FIG. 6 is a top plan view of the housing of FIG. 1; and,
FIG. 7 is a bottom plan view of the housing of FIG. 1.
The broken lines in the drawings depict environmental subject matter only and form no part of the claimed design.

1 Claim, 4 Drawing Sheets



US D685,075 S

Page 2

U.S. PATENT DOCUMENTS

D409,740	S	5/1999	Gallagher et al.
5,908,140	A	6/1999	Muderlak et al.
D413,663	S	9/1999	Chen
6,036,108	A	3/2000	Chen
6,039,212	A	3/2000	Singh
6,053,483	A	4/2000	Chen
D425,190	S	5/2000	Morikawa
D435,098	S	12/2000	Kemmis et al.
D436,398	S	1/2001	Steiner
6,267,297	B1	7/2001	Contadini et al.
6,394,310	B1	5/2002	Muderlak et al.
6,413,302	B1	7/2002	Harrison et al.
6,567,613	B2	5/2003	Rymer
6,631,852	B1	10/2003	O'Leary
D491,798	S	6/2004	Buthier
6,769,580	B2	8/2004	Muderlak et al.
7,014,818	B2	3/2006	Rymer
7,028,861	B2	4/2006	Sayers et al.
7,036,747	B2	5/2006	Channer
7,048,152	B2	5/2006	Bunoz
D533,931	S	12/2006	Miller et al.
7,222,760	B1	5/2007	Tsay
D544,085	S	6/2007	Schriner et al.
D546,434	S	7/2007	Barraclough
D547,851	S	7/2007	Anderson et al.
D559,965	S	1/2008	Kennedy et al.
D561,884	S	2/2008	Furner et al.
D564,357	S	3/2008	Kapoor et al.
D573,706	S	7/2008	Zlotnik et al.
D577,814	S	9/2008	Seki et al.
D580,039	S	11/2008	Zlotnik et al.
D582,027	S	12/2008	Benito
D583,038	S	12/2008	Kay et al.
D583,453	S	12/2008	Kay et al.
D583,454	S	12/2008	Kay et al.
D583,455	S	12/2008	Kay et al.
D583,921	S	12/2008	Kay et al.
D587,794	S	3/2009	Yoo et al.
D604,823	S	11/2009	Schwartz et al.
D604,824	S	11/2009	Paolazzi et al.
7,637,391	B2	12/2009	Rosenkranz et al.
D608,436	S	1/2010	Drucker et al.
7,687,744	B2	3/2010	Walter et al.

D615,180	S	5/2010	Meyerhoffer
D632,377	S	*	2/2011 Blachford et al. D23/366
D634,415	S	*	3/2011 Abbondanzio et al. D23/366
D634,416	S	*	3/2011 Abbondanzio et al. D23/366
D634,417	S	*	3/2011 Abbondanzio et al. D23/366
D634,832	S	*	3/2011 Abbondanzio et al. D23/366
D637,274	S		5/2011 Chan et al.
D647,187	S		10/2011 Chan et al.
D652,500	S	*	1/2012 Abbondanzio et al. D23/366
D657,039	S	*	4/2012 Abbondanzio et al. D23/366
2005/0139693	A1		6/2005 Robinson et al.
2006/0100303	A1		5/2006 Bedford et al.
2007/0181609	A1		8/2007 Rymer
2007/0183924	A1		8/2007 Morgan
2007/0204387	A1		9/2007 Cornelius et al.
2007/0257130	A1		11/2007 Butler et al.
2008/0011870	A1		1/2008 Link et al.
2008/0061082	A1		3/2008 Anderson et al.
2008/0099483	A1		5/2008 Anderson et al.
2008/0156896	A1		7/2008 Anderson et al.
2009/0236440	A1		9/2009 Anderson et al.
2009/0302056	A1		12/2009 Butler

FOREIGN PATENT DOCUMENTS

CA	99786		8/2003
CA	105595		9/2005
CA	126502		2/2009
CA	129356		2/2009
CA	129358		2/2009
CA	123349		5/2009
EP	890365	A1	1/1999
EP	1586335	A1	10/2005
GB	2406792	A1	4/2005
WO	W02004105878	A1	12/2004
WO	W02006079798	A2	8/2006
WO	W02007124554	A1	11/2007
WO	W02007132140	A1	11/2007
WO	W02008095187	A1	8/2008
WO	W02008149064	A1	12/2008
WO	W02008149065	A1	12/2008
WO	W02008149066	A1	12/2008
WO	W02009029337	A1	3/2009

* cited by examiner

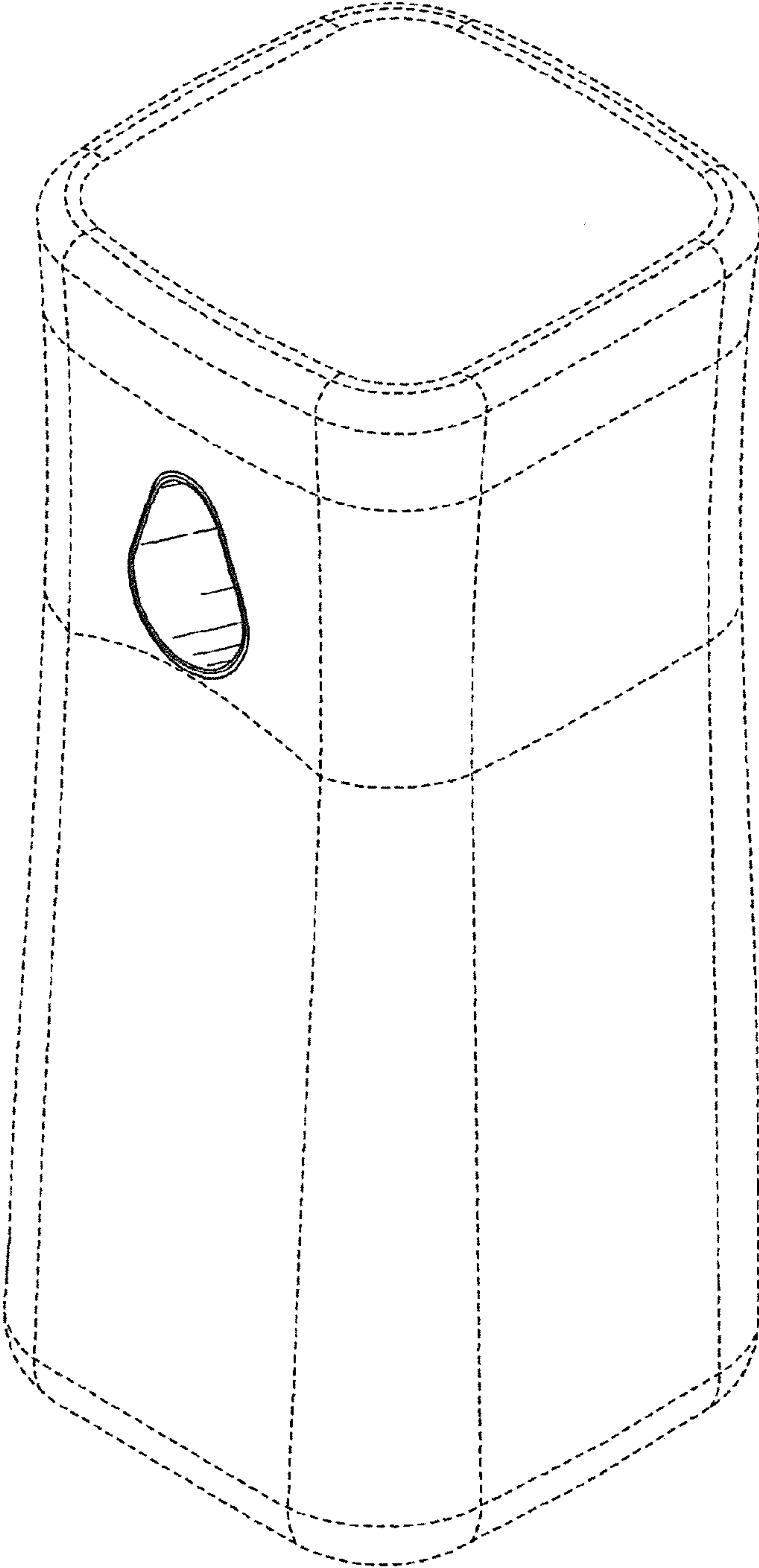


FIG. 1

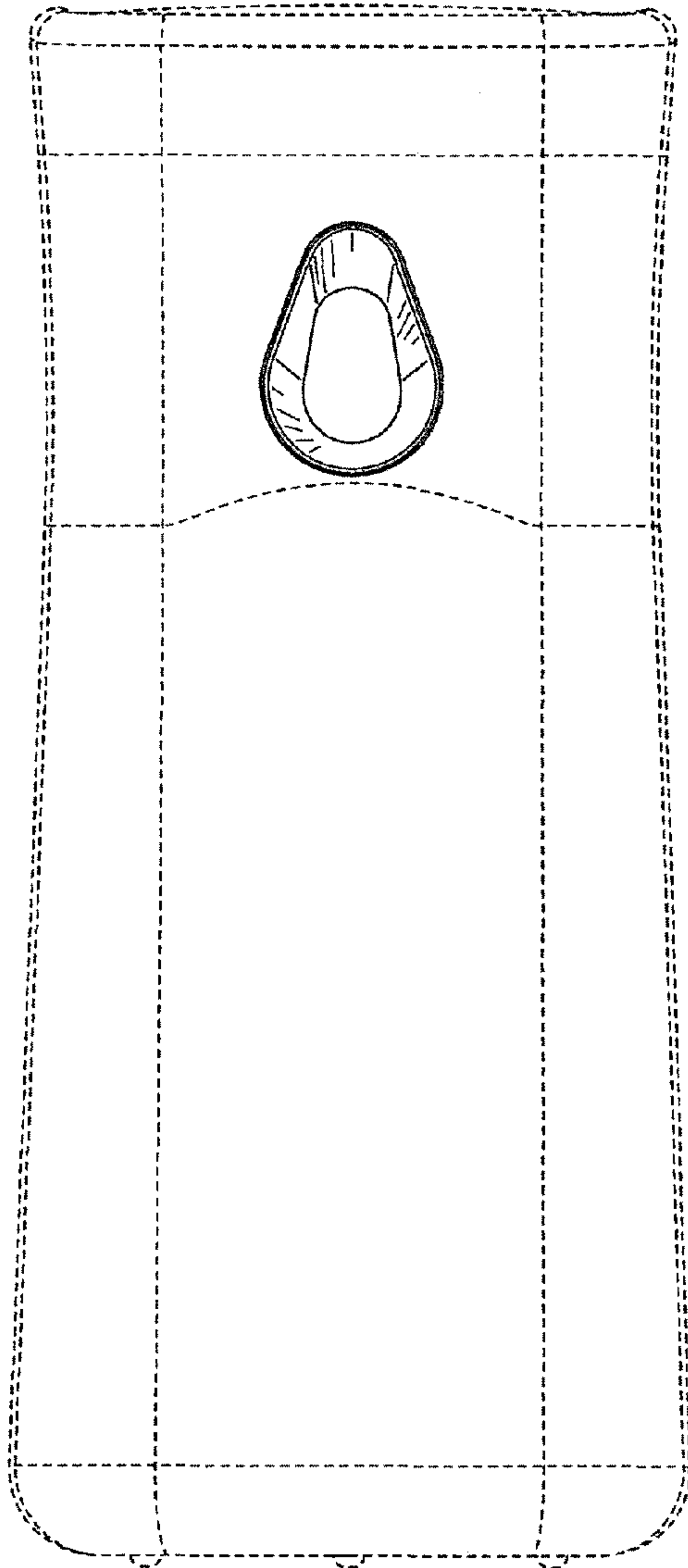


FIG. 2

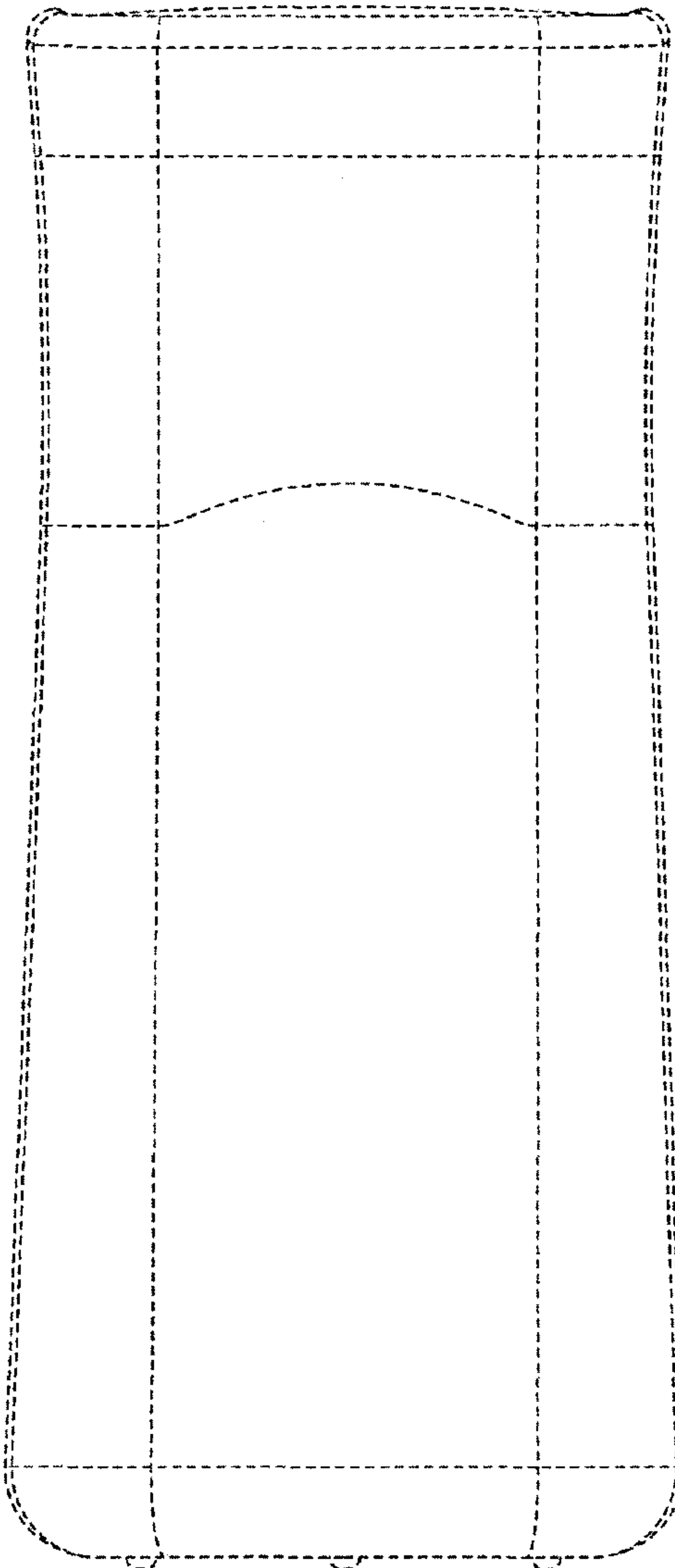


FIG. 3

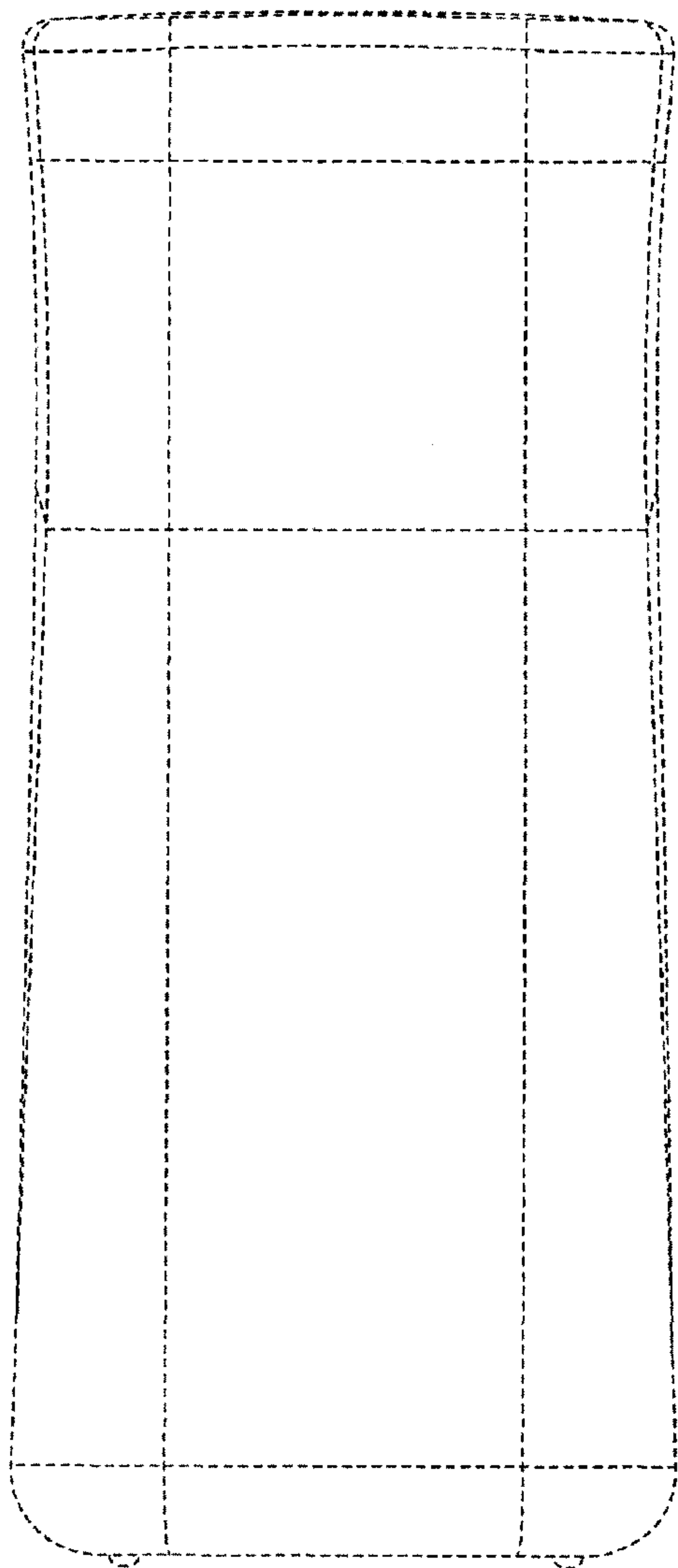


FIG. 4

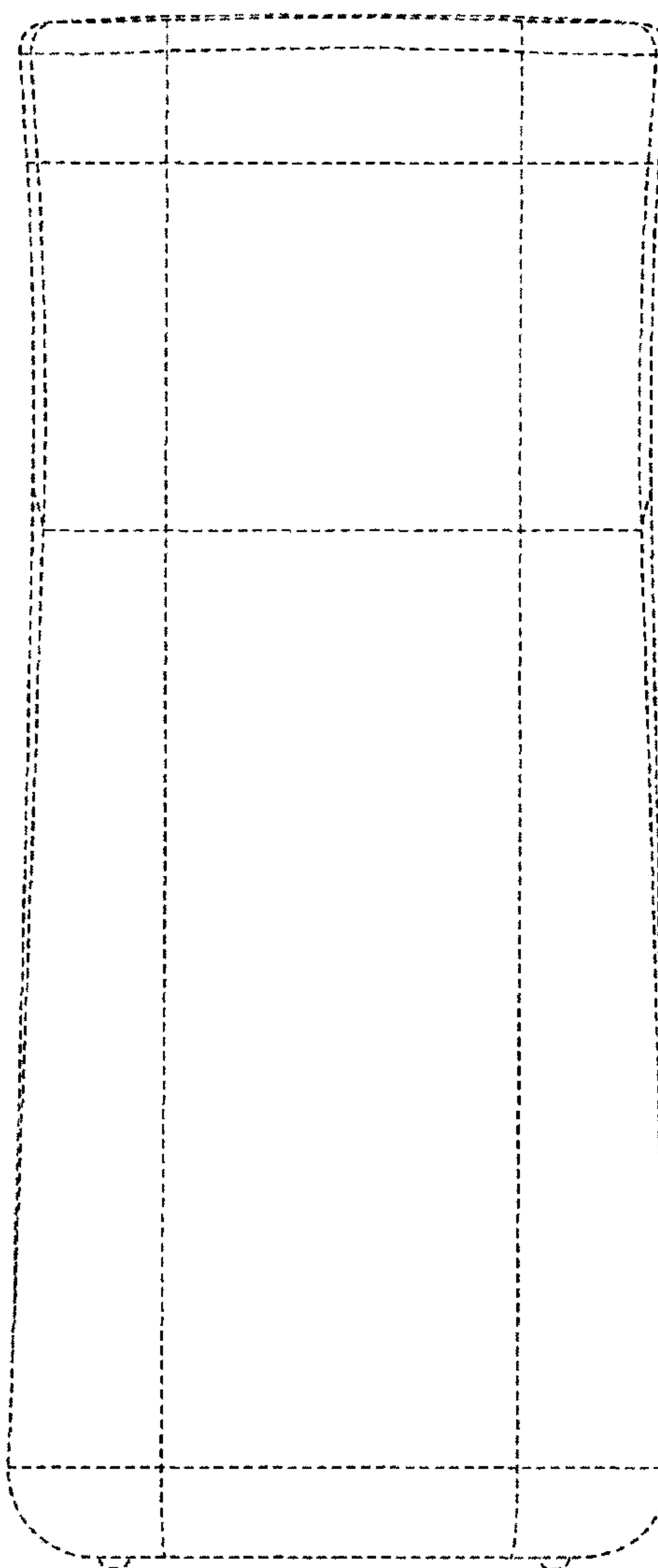


FIG. 5

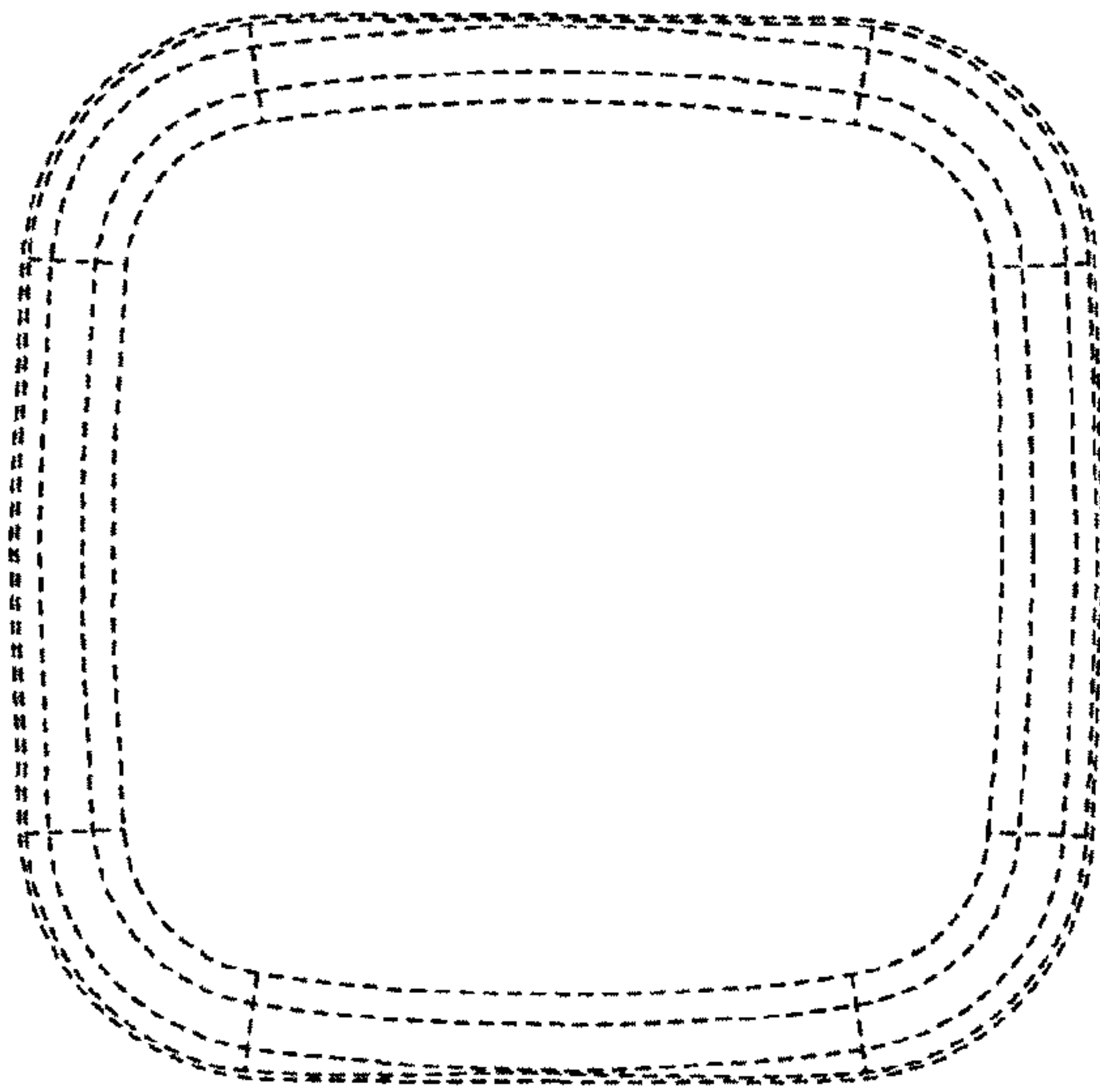


FIG. 6

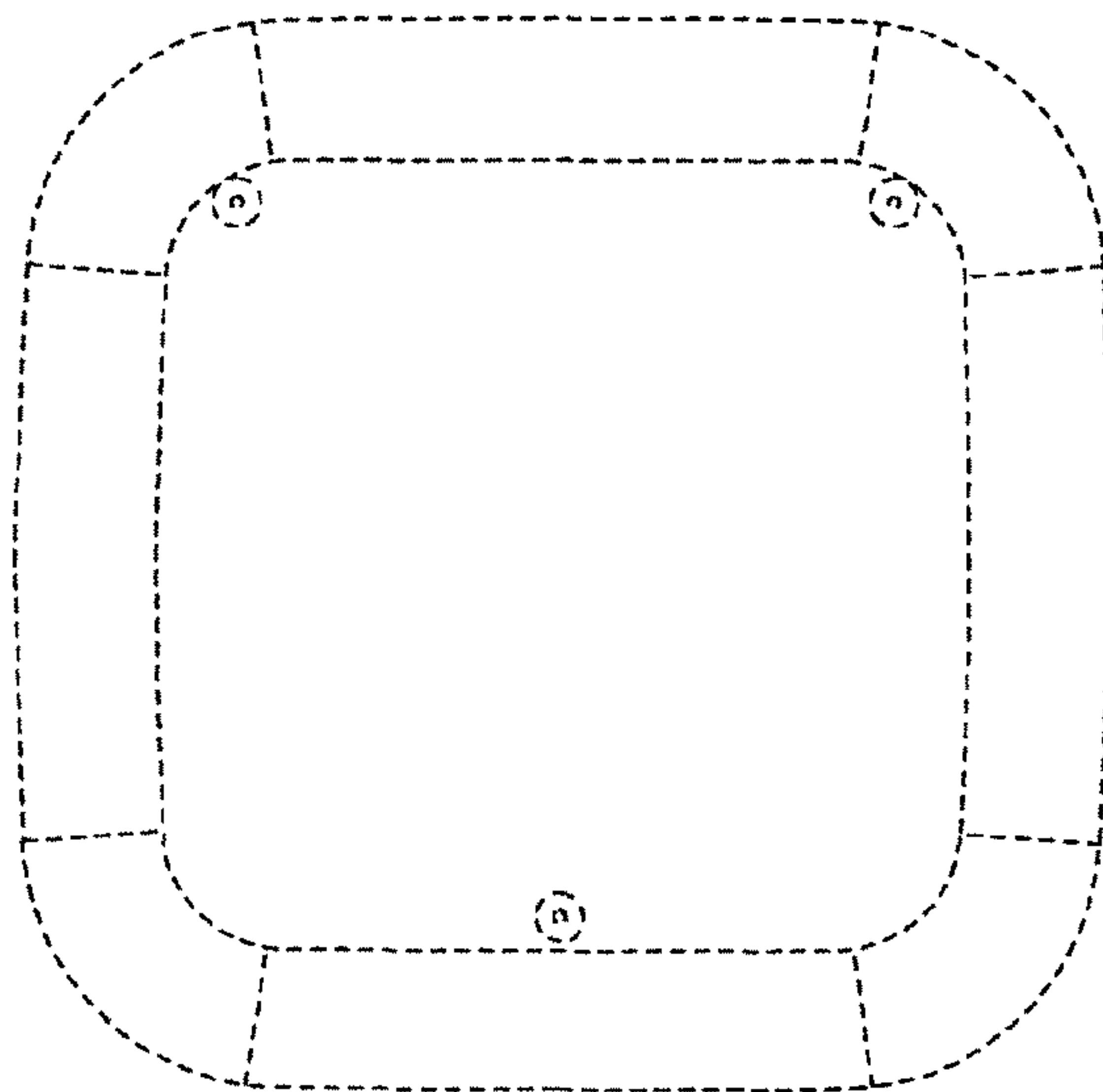


FIG. 7