



US00D685074S

(12) **United States Design Patent**  
**Caroen et al.**

(10) **Patent No.:** **US D685,074 S**  
(45) **Date of Patent:** **\*\* Jun. 25, 2013**

(54) **AEROSOL DISPENSER**  
(76) Inventors: **Adrian Barclay Caroen**, Fulking (GB);  
**David Hillary Powell**, London (GB);  
**Simon Lewis Bilton**, Warwick (GB)

(\*\*) Term: **14 Years**  
(21) Appl. No.: **29/420,314**  
(22) Filed: **May 8, 2012**

(30) **Foreign Application Priority Data**  
Nov. 15, 2011 (EM) ..... 001301949-0001  
(51) **LOC (9) Cl.** ..... **28-99**  
(52) **U.S. Cl.**  
USPC ..... **D23/366**  
(58) **Field of Classification Search**  
USPC ..... D23/355-369; D28/5, 6; 261/DIG. 17,  
261/DIG. 42, DIG. 65, DIG. 88, DIG. 89,  
261/DIG. 47, DIG. 55, DIG. 70; 392/356,  
392/390, 392, 394, 395; 239/34, 44, 53, 55,  
239/56, 326, 60, 308; D9/687  
See application file for complete search history.

(56) **References Cited**  
**U.S. PATENT DOCUMENTS**  
3,244,272 A 4/1966 Beaman  
D215,698 S 10/1969 Jordan  
D219,333 S \* 12/1970 Doblin ..... D9/688  
D264,310 S 5/1982 Thompson  
D272,006 S 12/1983 Geiger  
4,542,837 A 9/1985 Rayner  
D303,758 S 10/1989 Nitta  
D318,610 S 7/1991 Nitta  
D357,977 S \* 5/1995 Muderlak ..... D23/366  
5,499,747 A 3/1996 Quennessen  
D388,319 S \* 12/1997 Lamb ..... D9/688  
D437,212 S 2/2001 Adachi

6,394,318 B1 5/2002 Klodzinski  
D501,279 S 1/2005 Dittmer  
D515,193 S \* 2/2006 Chen ..... D23/366  
D537,359 S \* 2/2007 Butler et al. .... D9/685  
D561,318 S \* 2/2008 Naksen et al. .... D23/366  
D561,593 S 2/2008 Gomez  
D590,720 S 4/2009 Oates  
D592,515 S 5/2009 Francis  
7,575,132 B2 8/2009 Stuart  
D651,702 S \* 1/2012 Kathoefer ..... D23/366  
D655,200 S 3/2012 Gross  
D661,387 S \* 6/2012 Kathoefer ..... D23/366  
2008/0023498 A1 1/2008 Bertin  
2008/0116232 A1 5/2008 Michaux  
2009/0236440 A1\* 9/2009 Anderson et al. .... 239/67

**OTHER PUBLICATIONS**

Co-pending Application: Applicant: Caroen et al., U.S. Appl. No. 29/420,315, filed May 8, 2012.  
Co-pending Application: Applicant: Caroen et al., U.S. Appl. No. 29/240,318, filed May 8, 2012.

\* cited by examiner

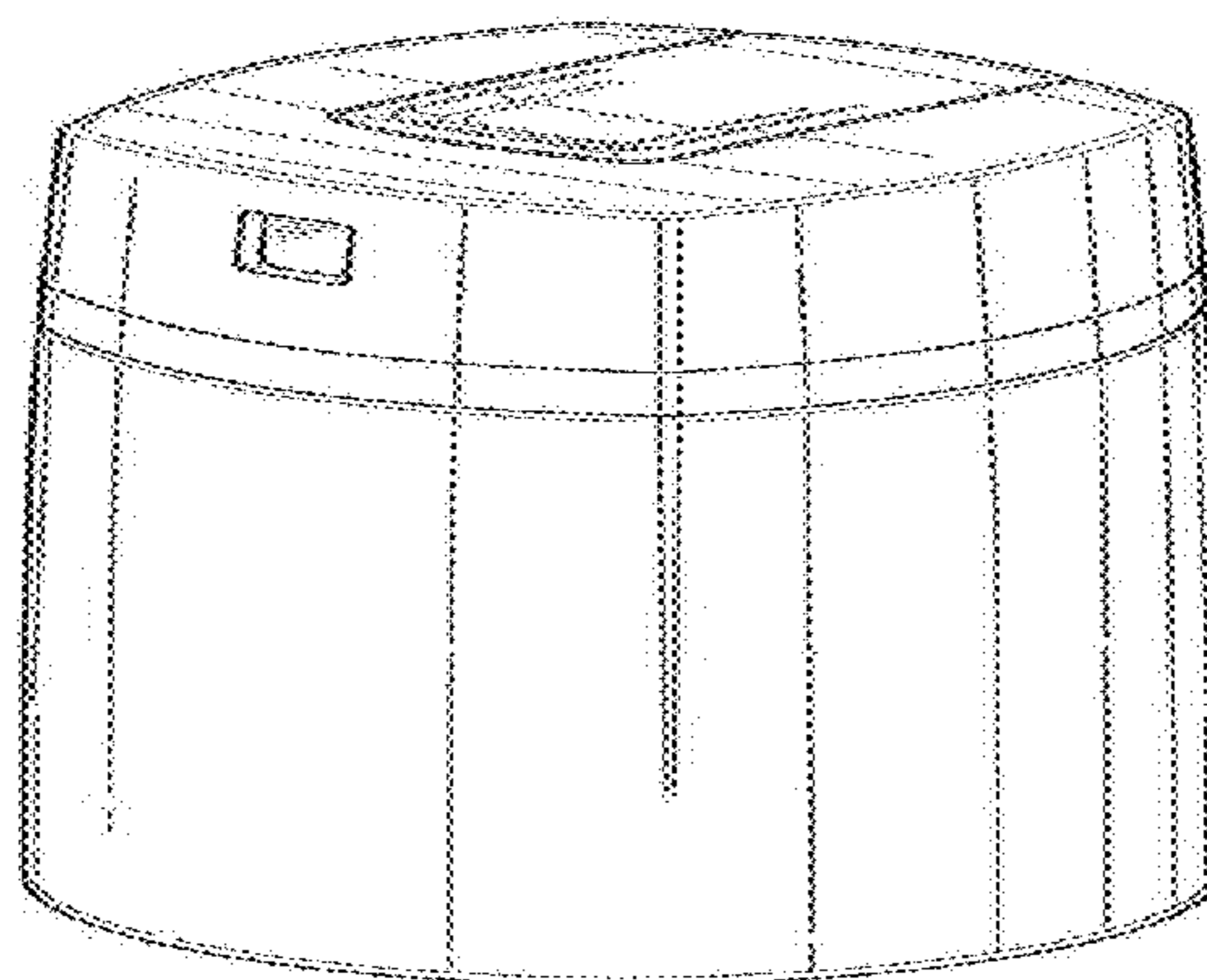
*Primary Examiner* — Sandra Snapp  
(74) *Attorney, Agent, or Firm* — Karen E. Klumas

(57) **CLAIM**  
The ornamental design for an aerosol dispenser, as shown and described.

**DESCRIPTION**

FIG. 1 is a top, front and side perspective view of my packaging for an aerosol dispenser;  
FIG. 2 is a front elevational view thereof;  
FIG. 3 is a rear elevational view thereof;  
FIG. 4 is a side elevational view thereof;  
FIG. 5 is an elevational view of the other side thereof;  
FIG. 6 is a top plan view thereof; and,  
FIG. 7 is a bottom plan view.

**1 Claim, 3 Drawing Sheets**



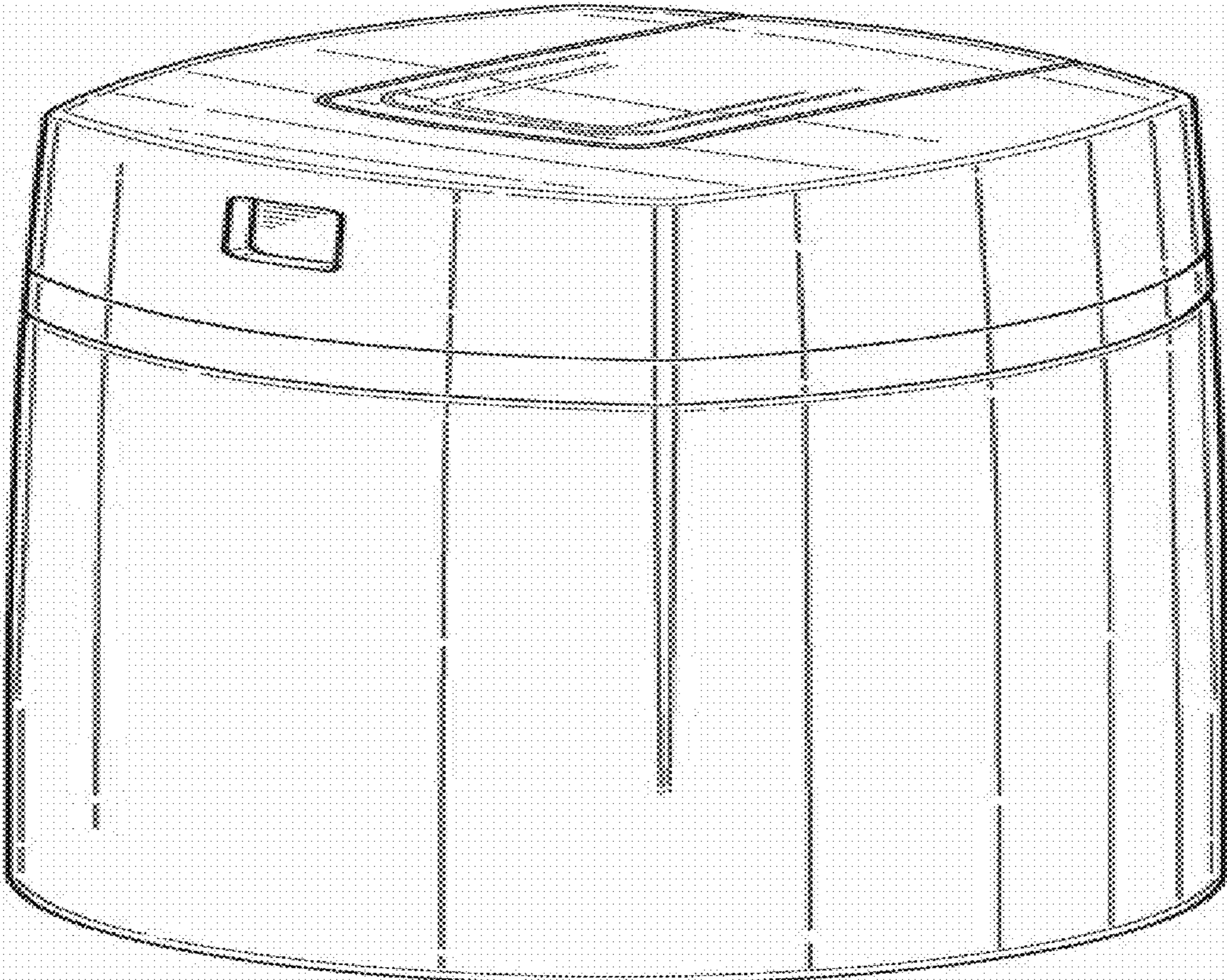


Fig. 1

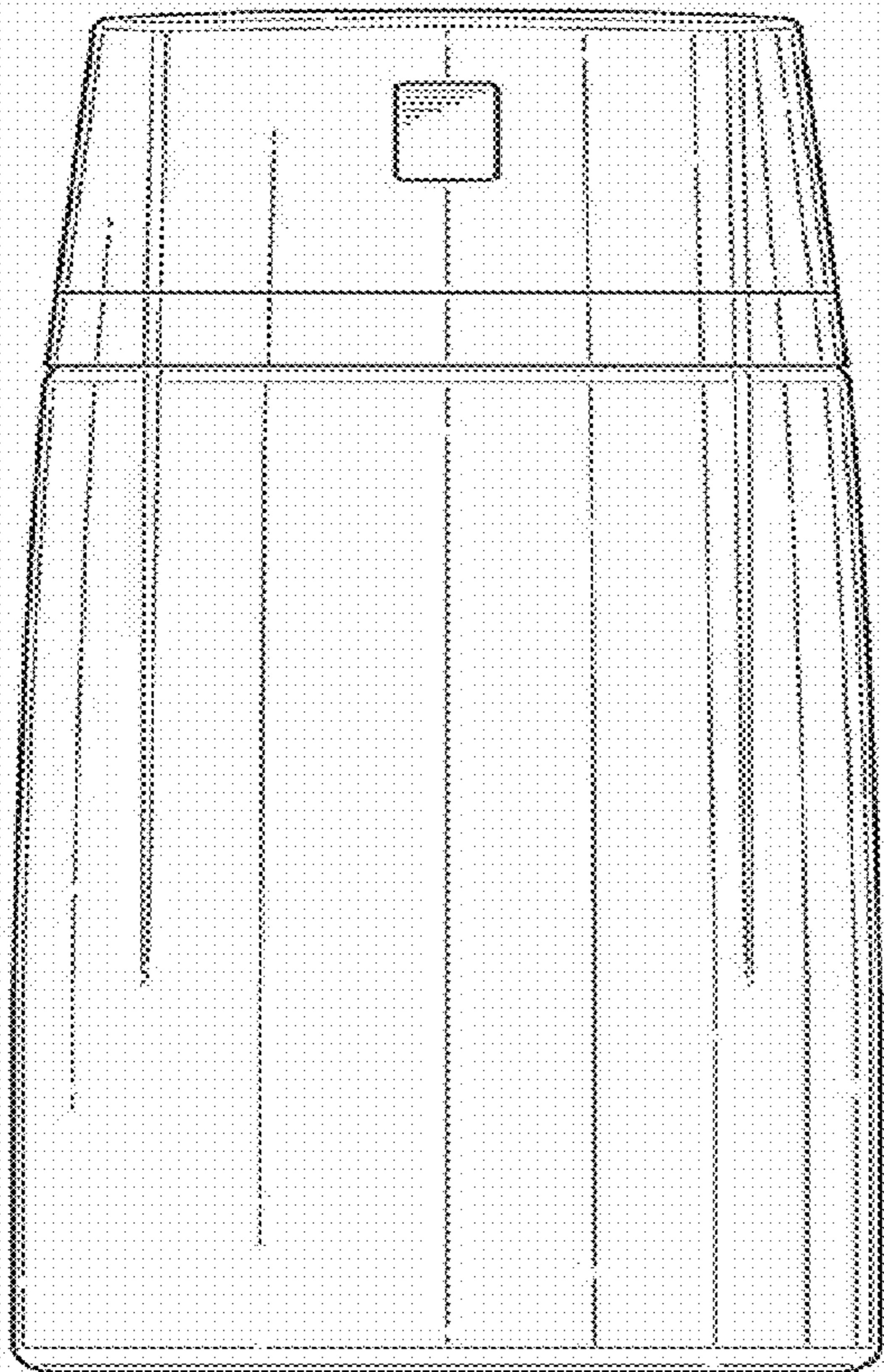


Fig. 2

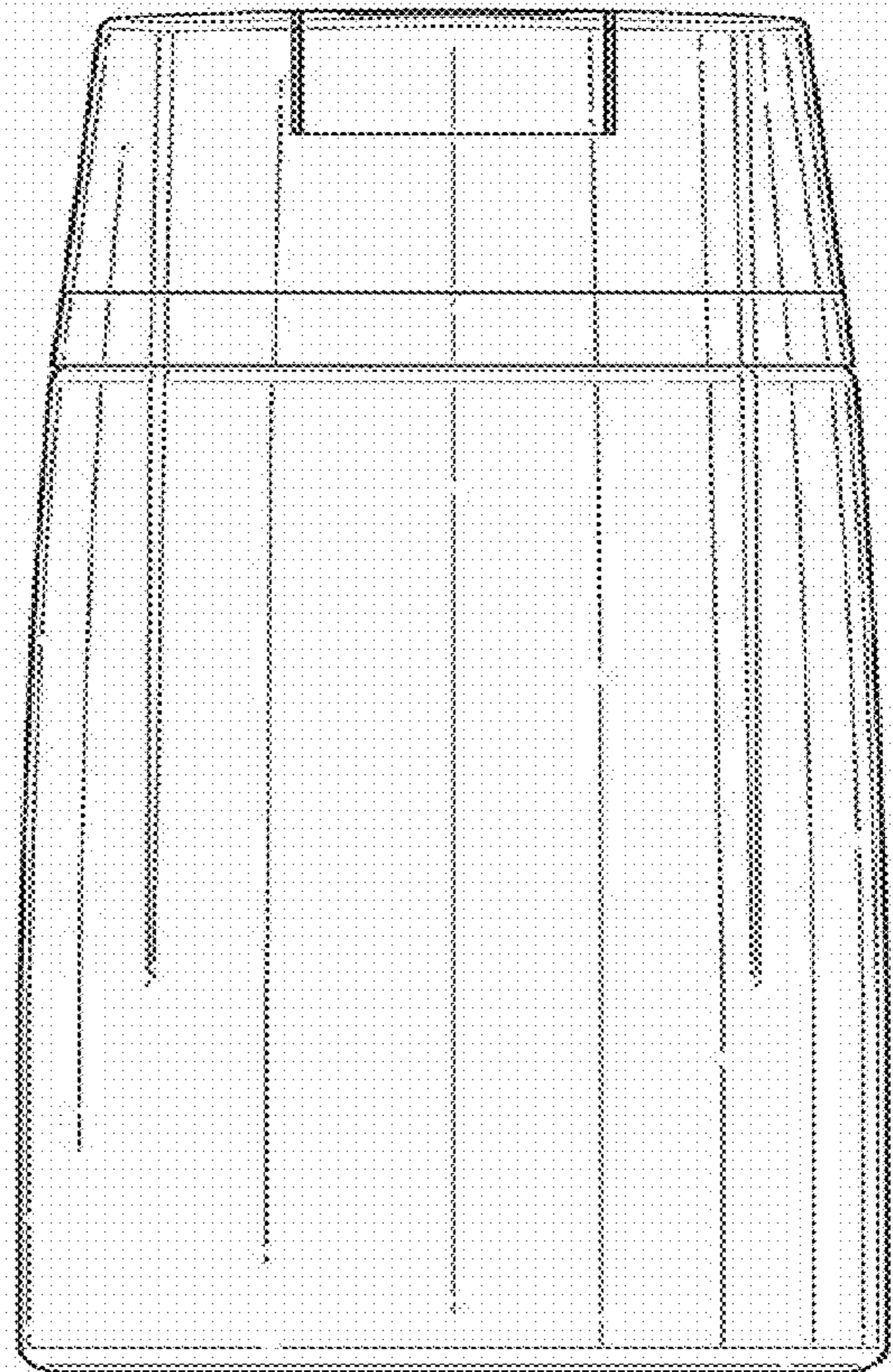


Fig. 3

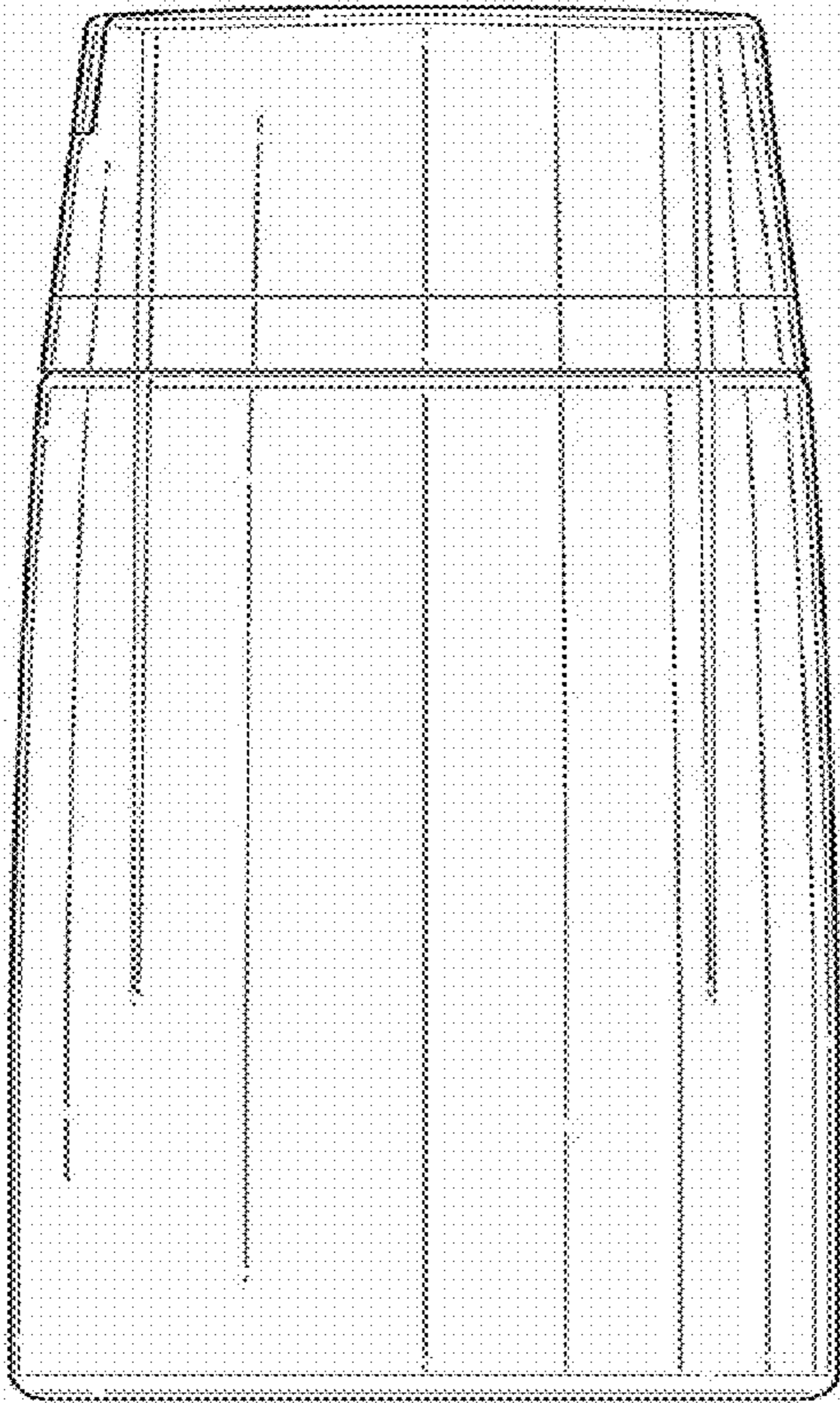


Fig. 4

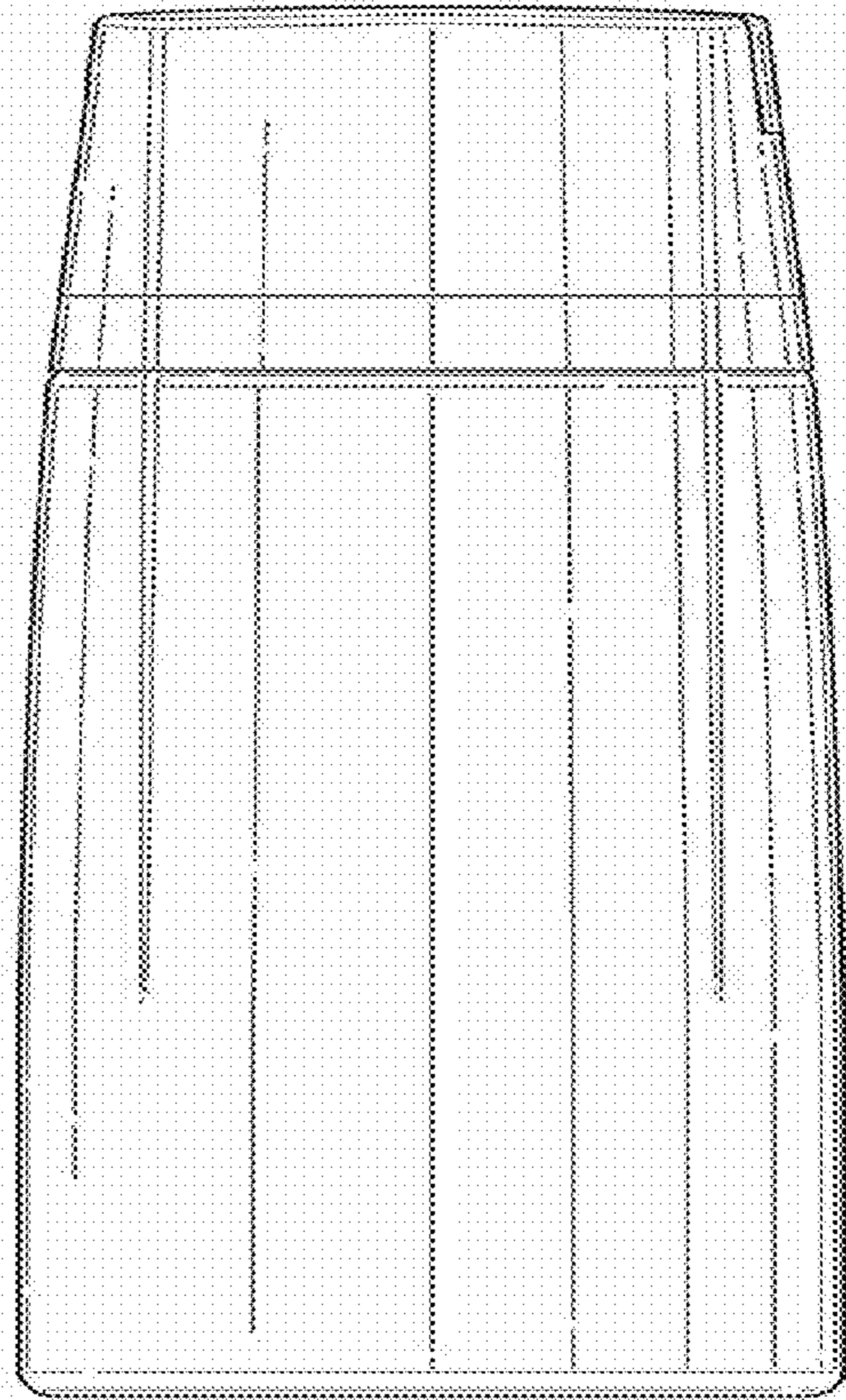


Fig. 5

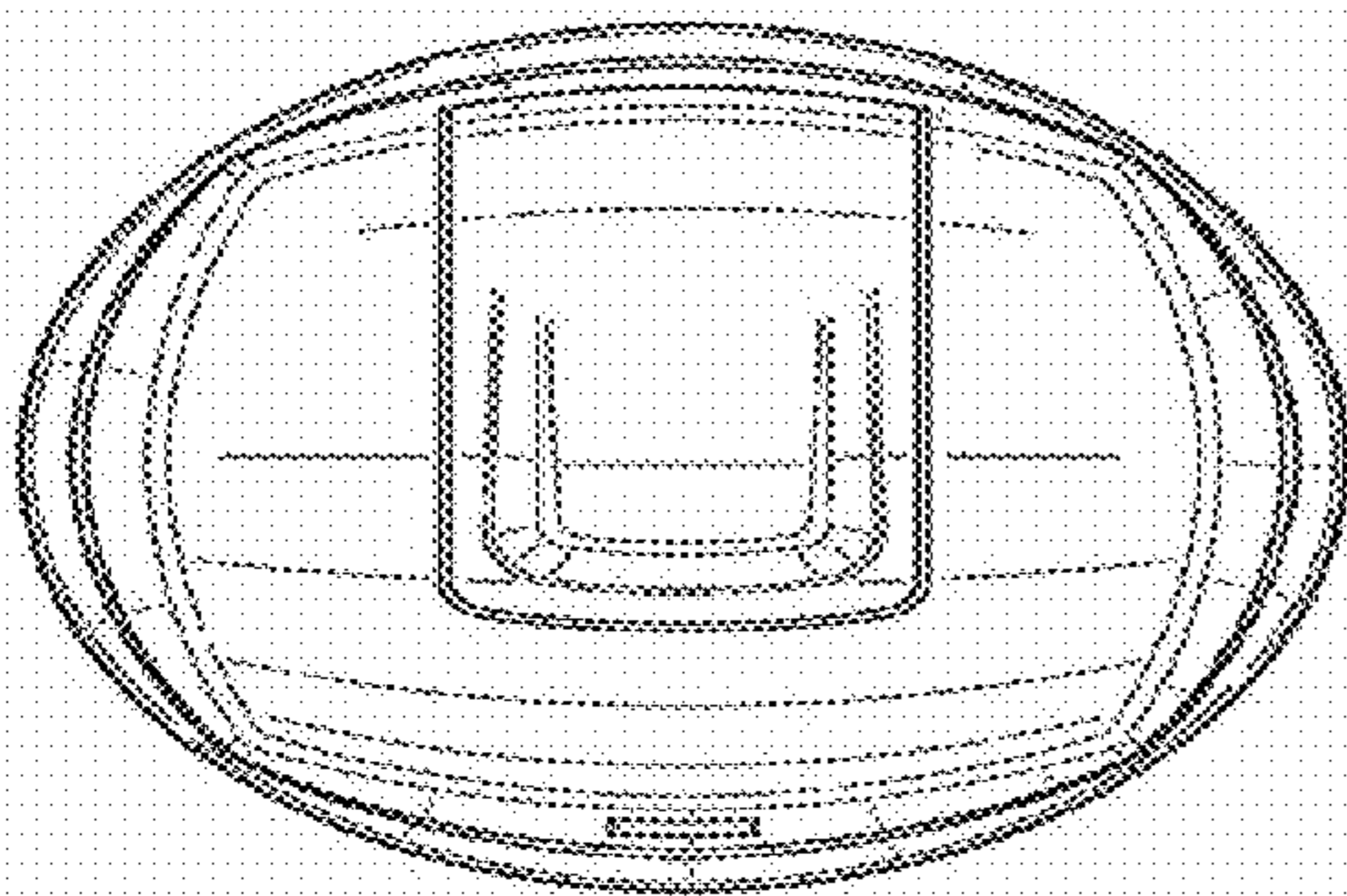


Fig. 6

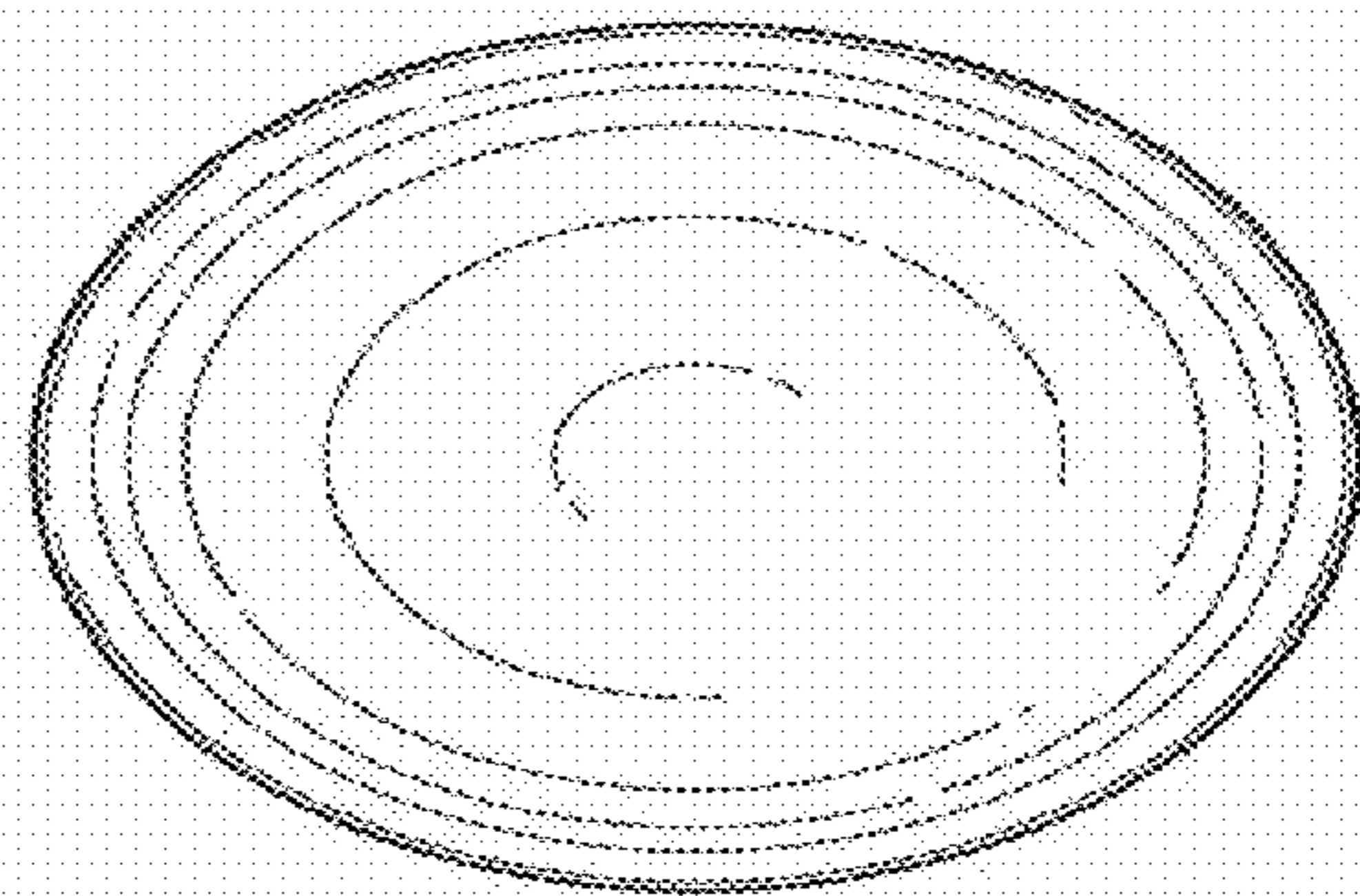


Fig. 7