



US00D685073S

(12) **United States Design Patent**
Gordon et al.

(10) **Patent No.:** **US D685,073 S**
(45) **Date of Patent:** **** Jun. 25, 2013**

(54) **DISPENSING HOUSING**

(75) Inventors: **William F. Gordon**, Chicago, IL (US);
Johnathan Kroeger, Brooklyn, NY
(US); **Silas Warren**, Brooklyn, NY (US)

(73) Assignee: **S.C. Johnson & Son, Inc.**, Racine, WI
(US)

(**) Term: **14 Years**

(21) Appl. No.: **29/397,942**

(22) Filed: **Jul. 22, 2011**

(51) **LOC (9) Cl.** **28-99**

(52) **U.S. Cl.**
USPC **D23/366**

(58) **Field of Classification Search**
USPC D23/355-369; D28/5, 6; 261/DIG. 17,
261/DIG. 42, DIG. 65, DIG. 88, DIG. 89,
261/DIG. 47, DIG. 55, DIG. 70; 392/356,
392/390, 392, 394, 395; 239/34, 44, 53, 55,
239/56, 326, 60, 308; D9/687

See application file for complete search history.

(56) **References Cited**

U.S. PATENT DOCUMENTS

D86,353 S	3/1932	Cordy	
D100,298 S *	7/1936	Smith	D9/502
3,167,079 A *	1/1965	Weil	134/137
D206,463 S *	12/1966	Federighi	D9/502
D280,242 S	8/1985	Burket et al.	
D307,468 S	4/1990	Boothe, Jr.	
D318,912 S	8/1991	von Philipp et al.	
D319,583 S	9/1991	Halm et al.	
D322,558 S *	12/1991	Halm et al.	D32/29.1
D341,321 S	11/1993	De Silva	
D356,037 S	3/1995	Jury	
D371,739 S	7/1996	Van Dyk	
D388,653 S	1/1998	Hsu	
D396,382 S	7/1998	Hsu	
D530,221 S *	10/2006	Paglina	D9/692

(Continued)

FOREIGN PATENT DOCUMENTS

EM	000126446-0001	4/2004
EM	000305974-0001	5/2005

(Continued)

OTHER PUBLICATIONS

Product page of Domingos Totorá for vases from oexpoente.blogspot.com website [online] [retrieved on Feb. 21, 2012], 3 pages. Retrieved from <URL: <http://oexpoente.blogspot.com/2009/07/domingos-totora.html>>.

(Continued)

Primary Examiner — Sandra Snapp

(57) **CLAIM**

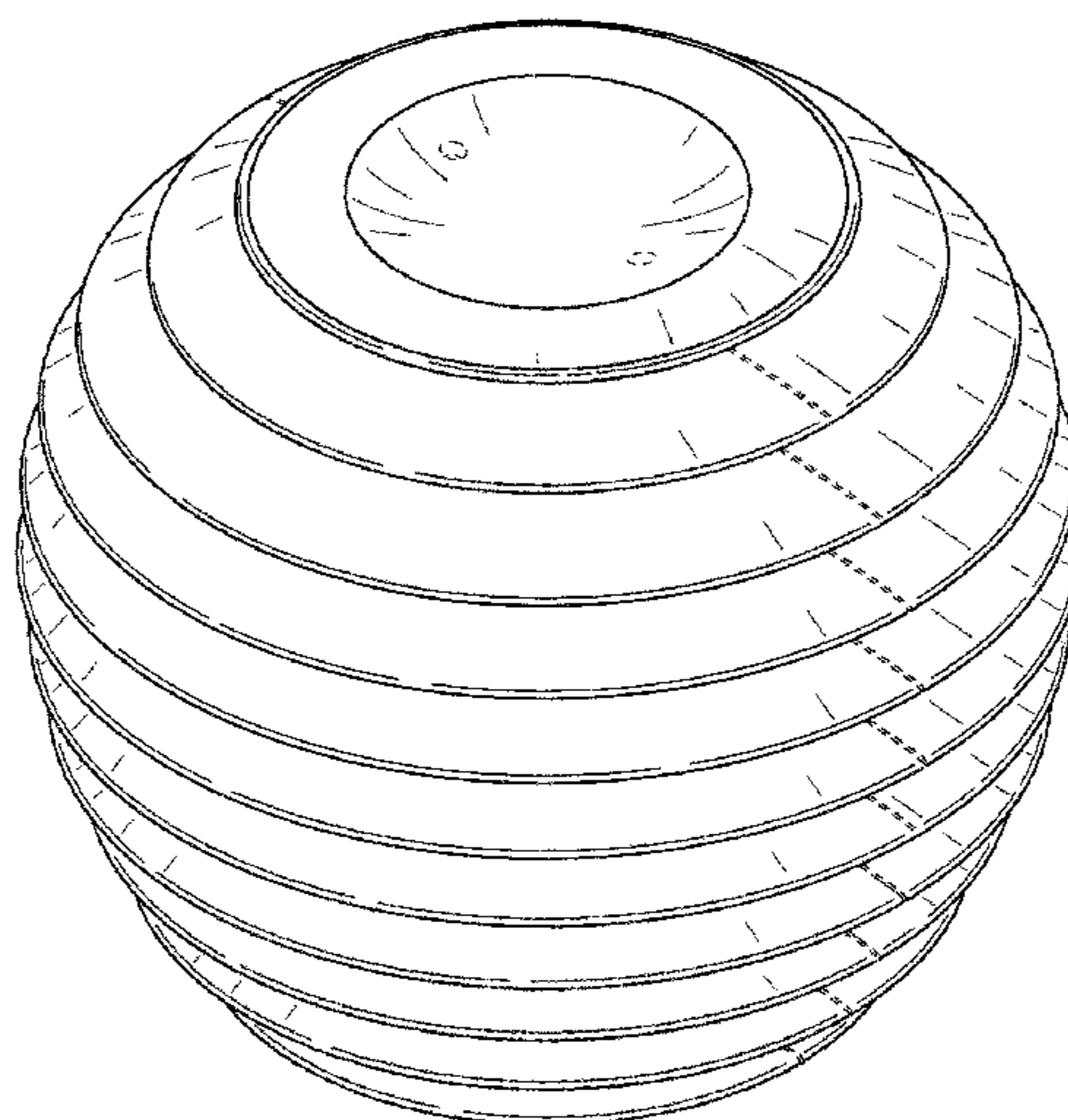
The ornamental design for a dispenser housing, as shown and described.

DESCRIPTION

FIG. 1 is an isometric view of a top, front, and left side of an ornamental design for a dispenser housing;
FIG. 2 is a front elevational view of the dispenser housing of FIG. 1;
FIG. 3 is a rear elevational view of the dispenser housing of FIG. 1;
FIG. 4 is a right side elevational view of the dispenser housing of FIG. 1;
FIG. 5 is a left side elevational view of the dispenser housing of FIG. 1;
FIG. 6 is a top plan view of the dispenser housing of FIG. 1; and,
FIG. 7 is a bottom plan view of the dispenser housing of FIG. 1.

The broken lines are for the purpose of illustrating environmental structure and form no part of the claimed design.

1 Claim, 4 Drawing Sheets



US D685,073 S

Page 2

U.S. PATENT DOCUMENTS

D564,900 S 3/2008 Green et al.
D599,899 S * 9/2009 Thompson D23/366
D611,587 S * 3/2010 Dineen D23/366
D617,439 S 6/2010 Valentino et al.
D633,191 S * 2/2011 Sato D23/366

FOREIGN PATENT DOCUMENTS

EM 000305974-0002 5/2005
EM 000320588-0001 6/2005
EM 000626841-0001 11/2006
EM 001668518-0004 2/2010
EM 001743519-0001 9/2010
EM 001758681-0001 10/2010
EM 001830860-0003 4/2011

EM 001846130-0001 4/2011
GB 3022913 5/2006
WO 064274 9/2003

OTHER PUBLICATIONS

Plantcontainershop.com product page of beehive shaped planters from Plantcontainershop.com website [online] [retrieved on Feb. 21, 2012], 2 pages. Retrieved from <URL: <http://www.plantcontainershop.com/beehive-shaped-planter.html>>.

Carter's Price Guides to Antiques and Collectables product page of a Keith Murray Wedgwood 'beehive' vase from carters.com.au website [online] [retrieved on Feb. 21, 2012], 1 page. Retrieved from <<http://www.carters.com.au/index.cfm/item/160328-a-keith-murray-wedgwood-beehive-vase-of-compressed-spherical-for/>>.

* cited by examiner

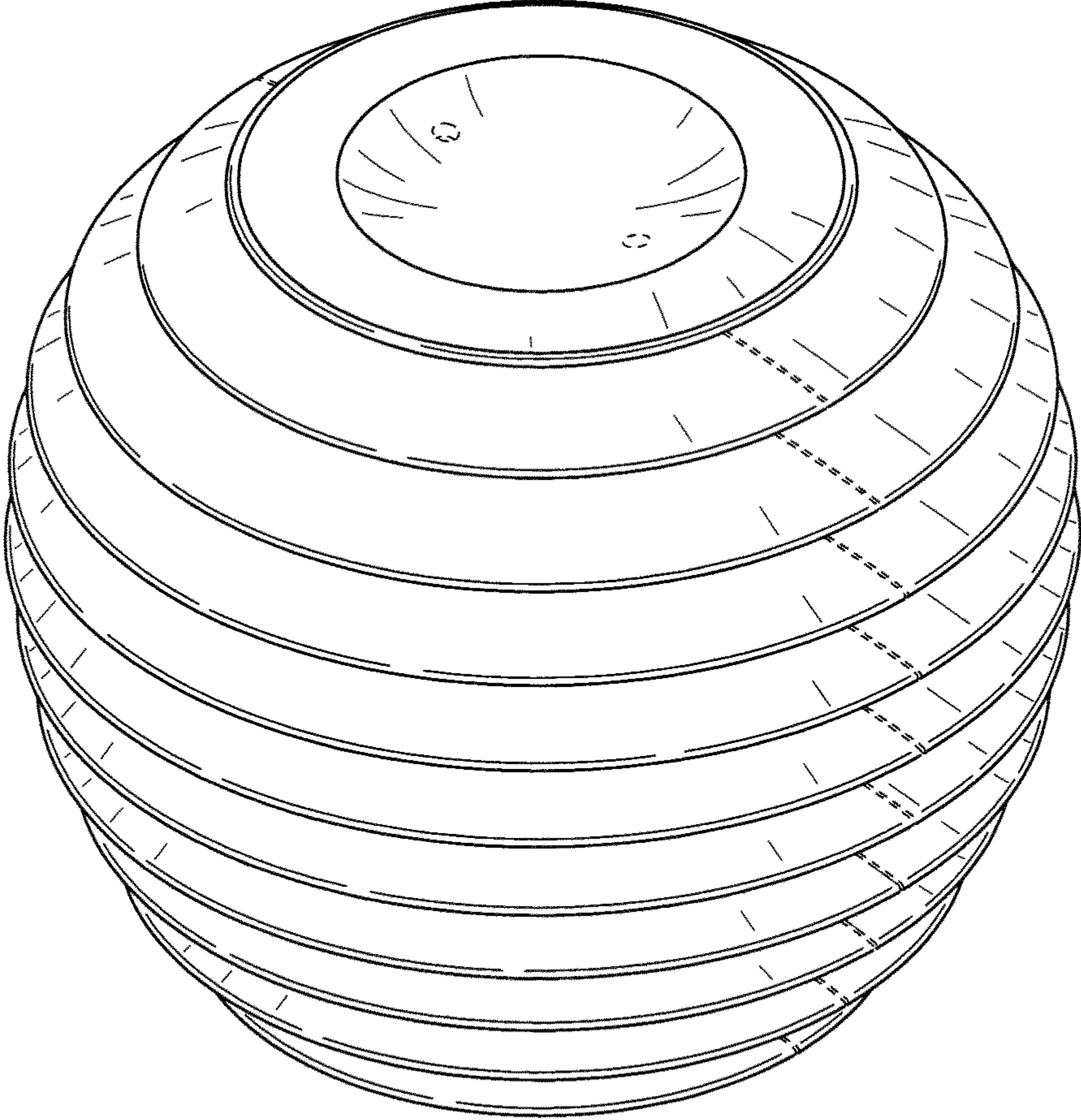


FIG.1

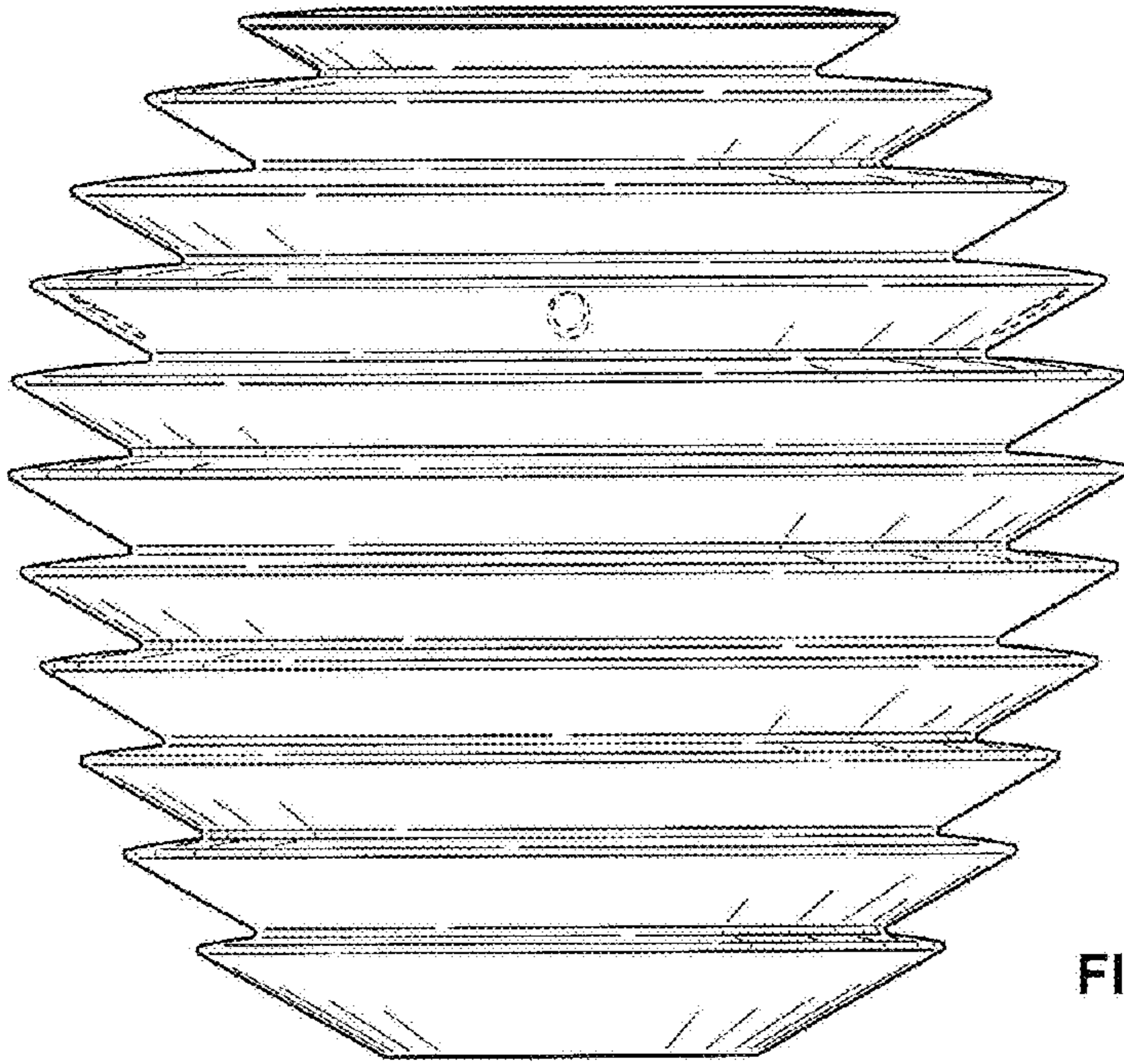


FIG. 2

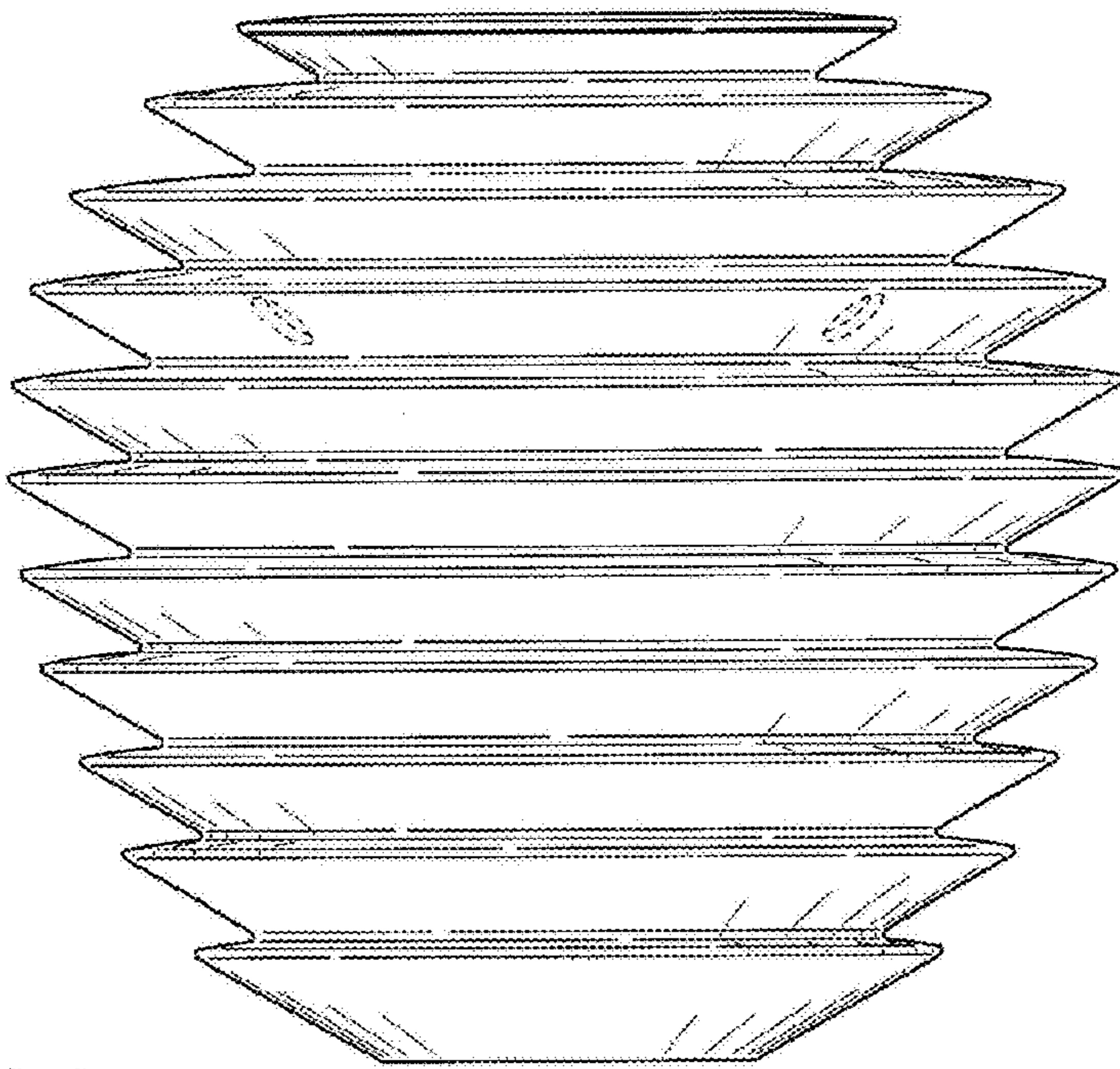


FIG. 3

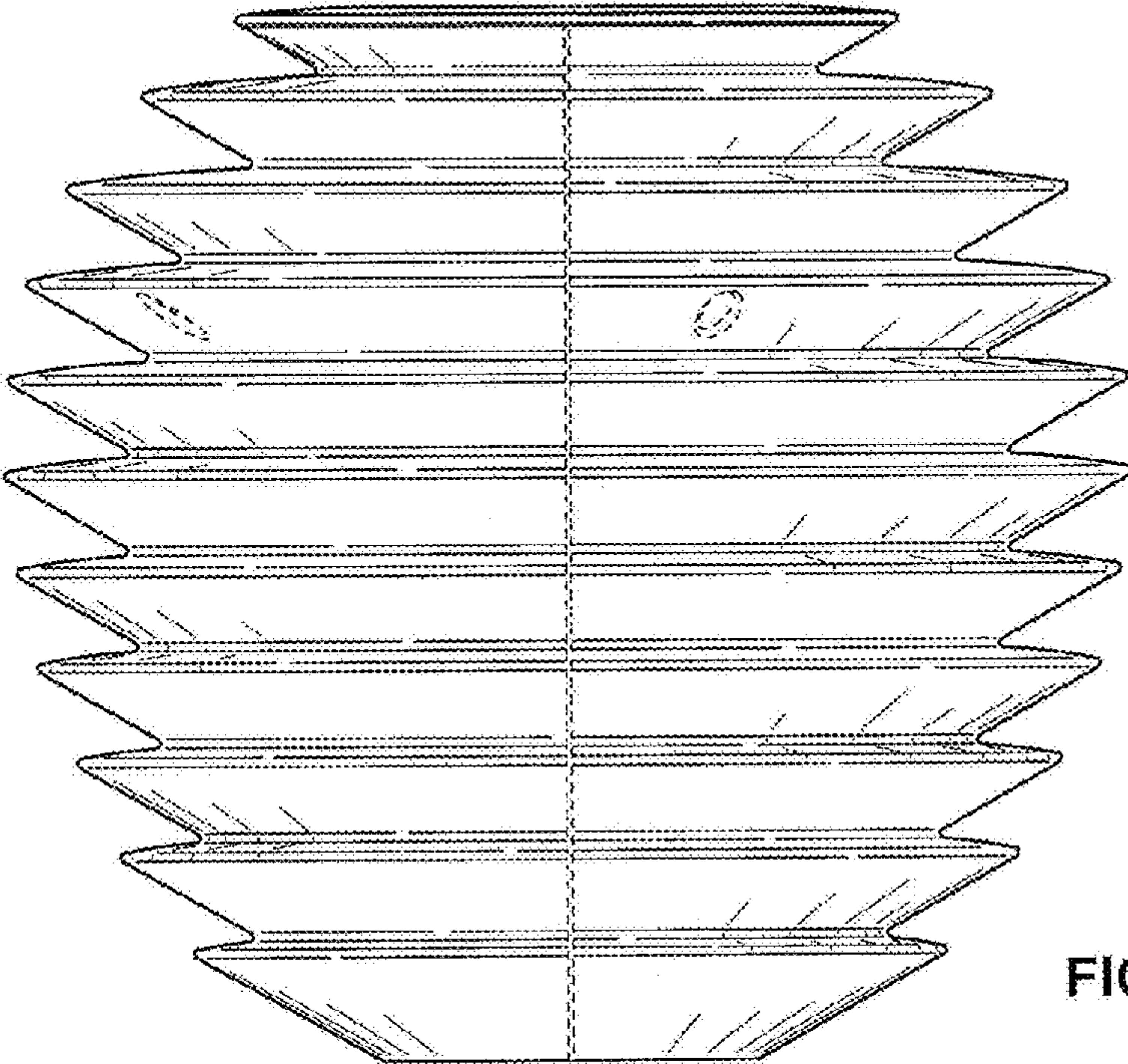


FIG. 4

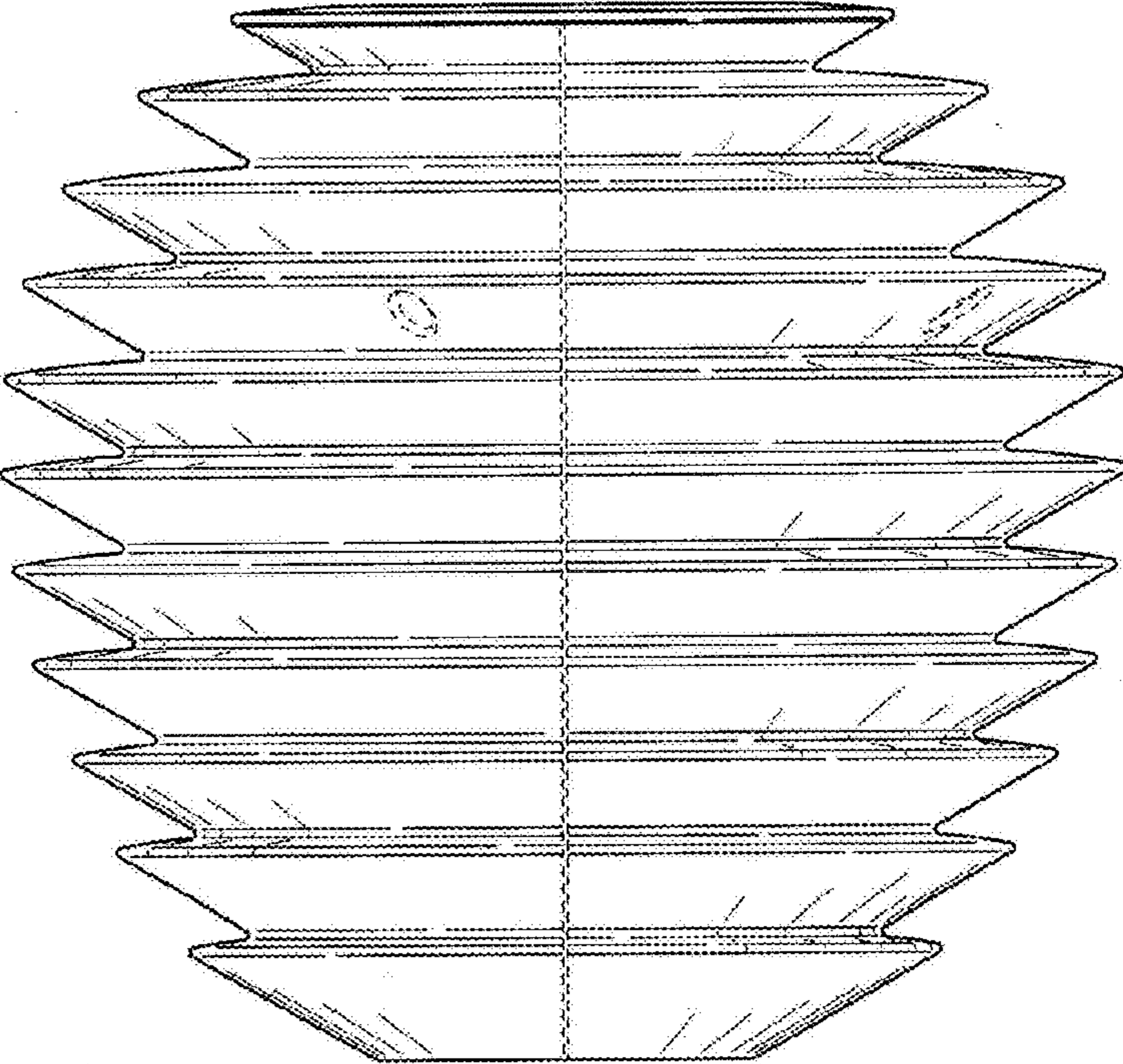


FIG. 5

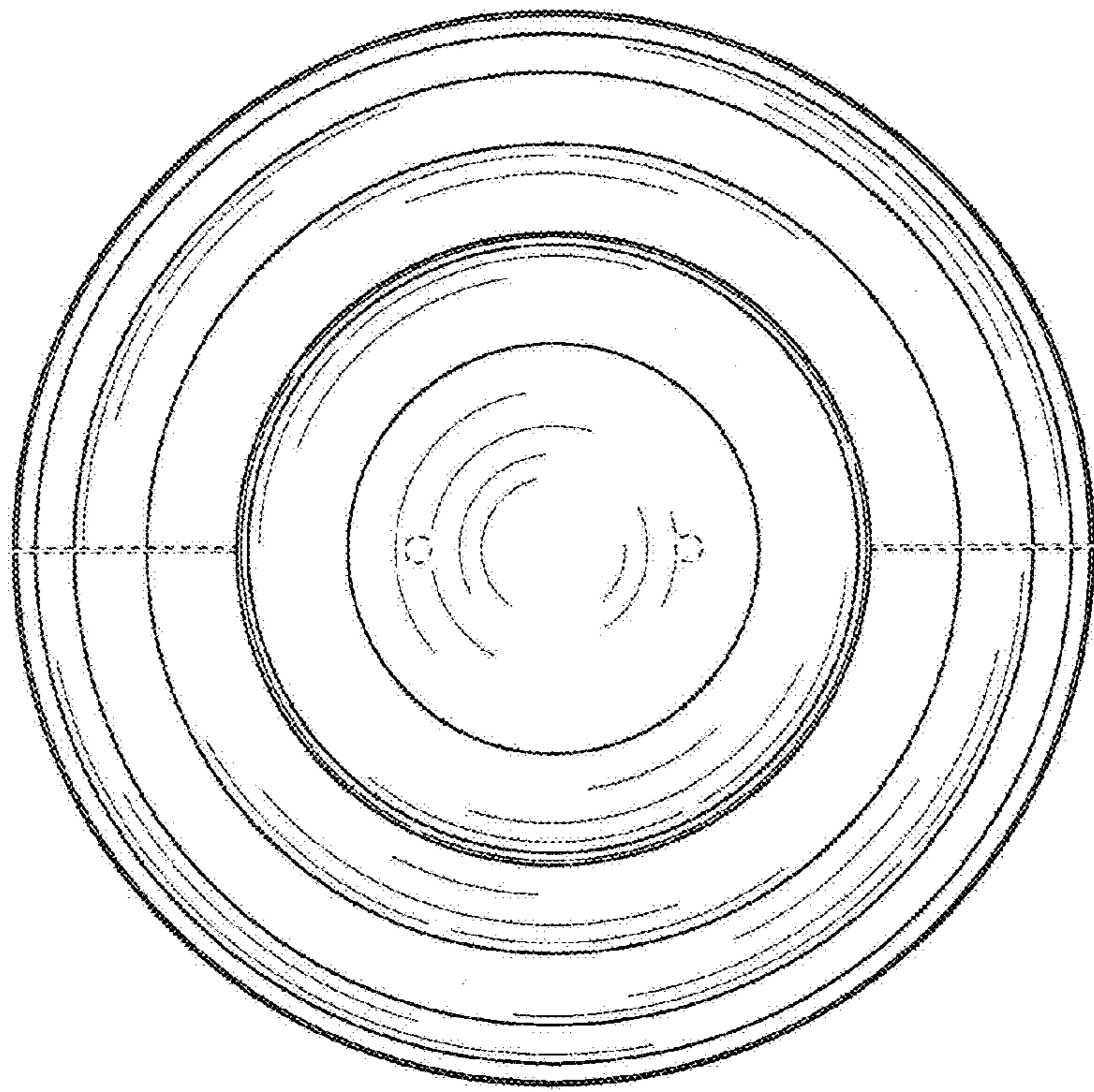


FIG. 6

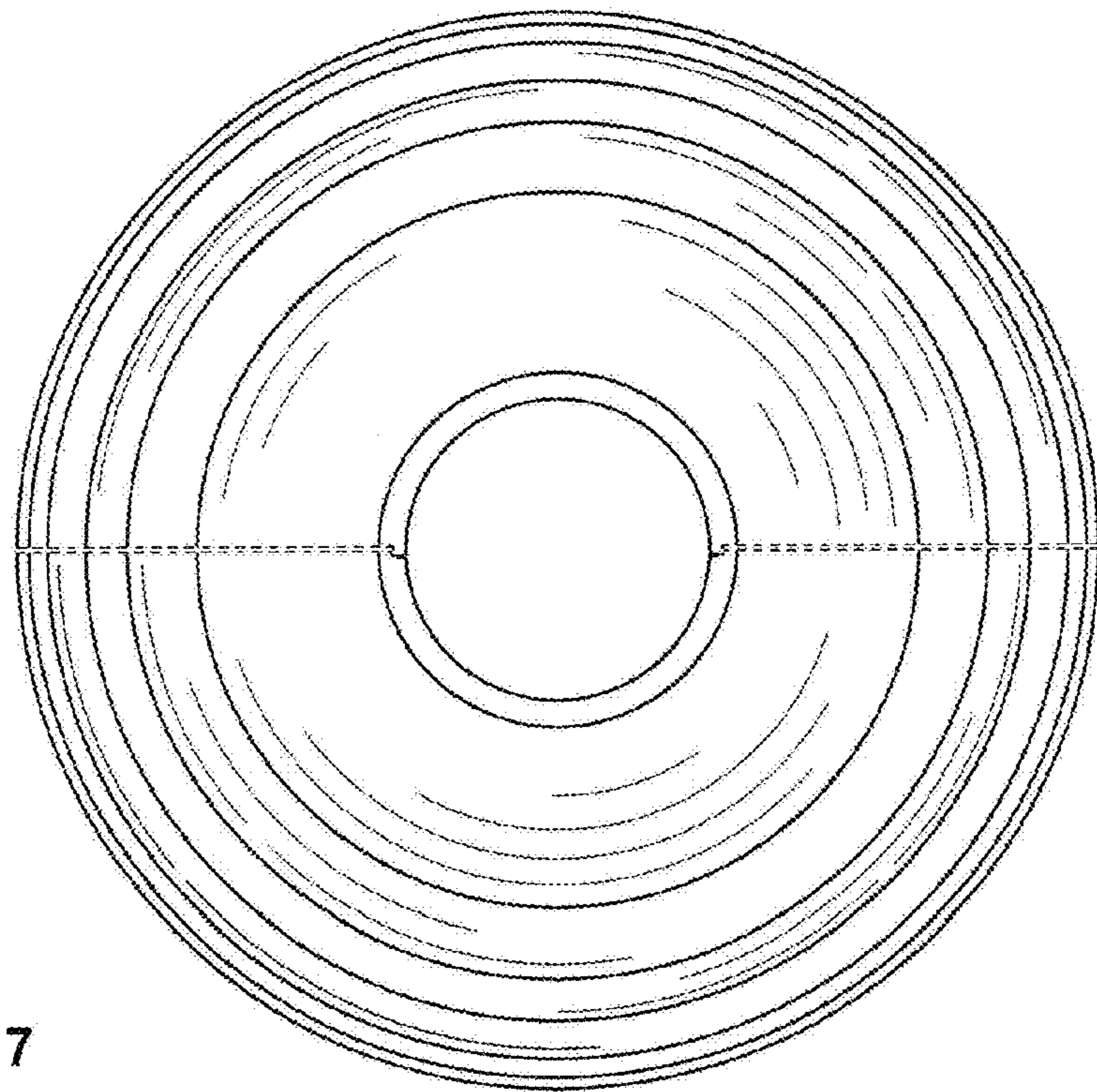


FIG. 7