



US00D685071S

(12) **United States Design Patent**
Vanderheyden et al.

(10) **Patent No.:** **US D685,071 S**
(45) **Date of Patent:** **** Jun. 25, 2013**

(54) **TOILET**

(74) *Attorney, Agent, or Firm* — **Foley & Lardner LLP**

(71) Applicant: **Kohler Co.**, Kohler, WI (US)

(72) Inventors: **Jacob P. Vanderheyden**, Sheboygan, WI (US); **Jacob Lusson**, Clayton, MS (US); **Nicholas Paterson**, Whitefish Bay, WI (US)

(57) **CLAIM**

We claim the ornamental design for a toilet, as shown and described.

(73) Assignee: **Kohler Co.**, Kohler, WI (US)

(**) Term: **14 Years**

DESCRIPTION

(21) Appl. No.: **29/435,262**

(22) Filed: **Oct. 22, 2012**

Related U.S. Application Data

(62) Division of application No. 29/417,192, filed on Mar. 30, 2012, now Pat. No. Des. 670,368, which is a division of application No. 29/385,782, filed on Feb. 18, 2011, now Pat. No. Des. 657,852.

(51) **LOC (9) Cl.** **23-02**

(52) **U.S. Cl.**
USPC **D23/309**

(58) **Field of Classification Search**
USPC D23/295, 301, 303, 309, 313; 4/300, 4/353, 420, DIG. 15

See application file for complete search history.

(56) **References Cited**

U.S. PATENT DOCUMENTS

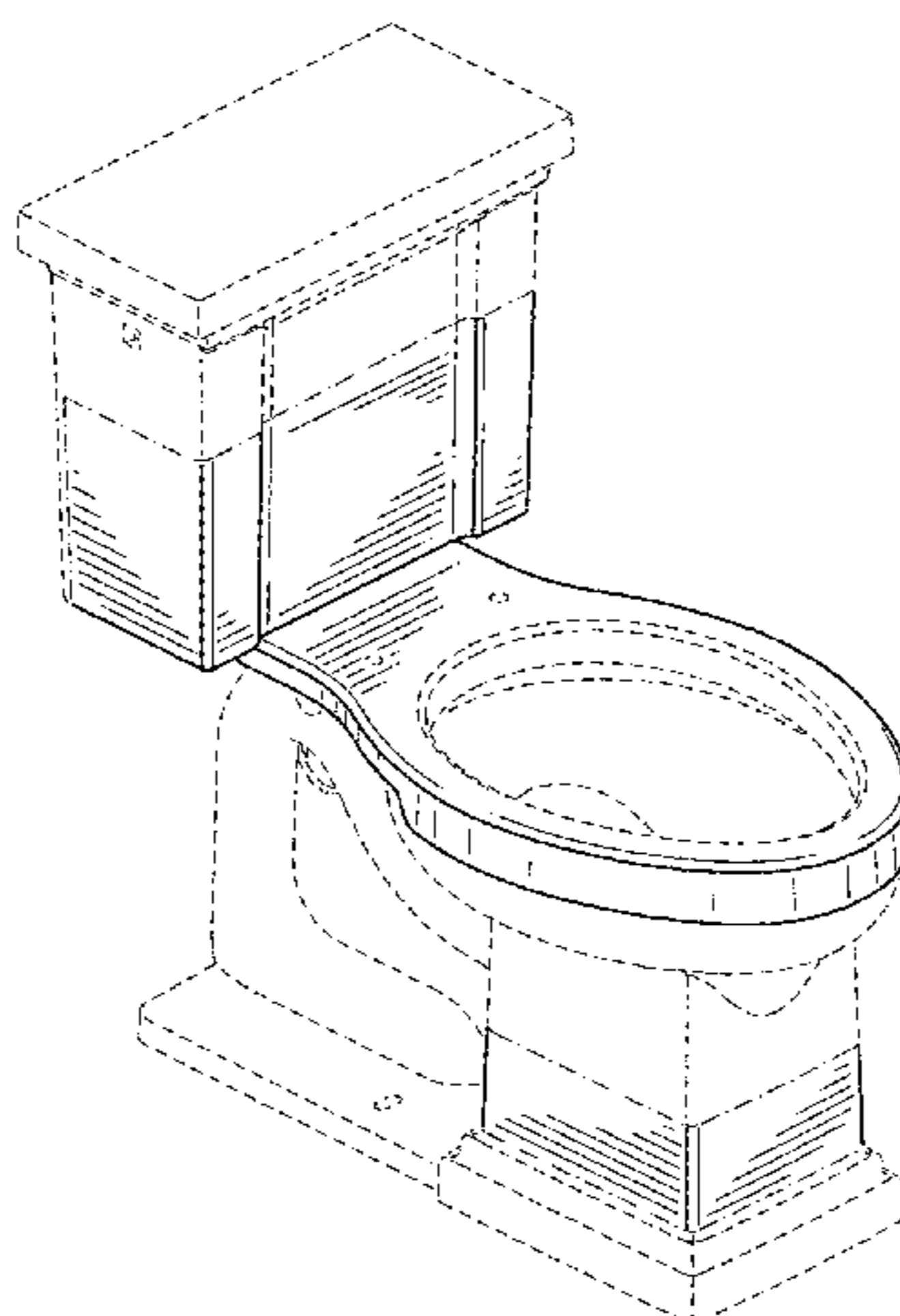
D323,880 S	2/1992	McKeone et al.
D387,858 S	12/1997	McKeone et al.
D441,437 S	5/2001	McKeone
D444,864 S	7/2001	McKeone
D455,822 S	4/2002	McKeone
D496,442 S	9/2004	Bates
D496,443 S	9/2004	Bates
D506,537 S	6/2005	Lanius

(Continued)

Primary Examiner — Robert Delehanty

FIG. 1 is a top perspective view of an embodiment of the claimed design;
 FIG. 2 is a front elevation view of the claimed design of FIG. 1;
 FIG. 3 is a left-side elevation view of the claimed design of FIG. 1;
 FIG. 4 is a right-side elevation view of the claimed design of FIG. 1;
 FIG. 5 is a rear elevation view of the claimed design of FIG. 1;
 FIG. 6 is a top plan view of the claimed design of FIG. 1;
 FIG. 7 is a bottom plan view of the claimed design of FIG. 1;
 FIG. 8 is a top perspective view of an embodiment of the claimed design;
 FIG. 9 is a front elevation view of the claimed design of FIG. 8;
 FIG. 10 is a left-side elevation view of the claimed design of FIG. 8;
 FIG. 11 is a right-side elevation view of the claimed design of FIG. 8;
 FIG. 12 is a rear elevation view of the claimed design of FIG. 8;
 FIG. 13 is a top plan view of the claimed design of FIG. 8; and,
 FIG. 14 is a bottom plan view of the claimed design of FIG. 8.
 The ornamental design which is claimed is shown in solid lines in the drawings. The broken lines in the drawings are for illustrative purposes only and form no part of the claimed design. The dot-dash lines in the drawings define boundaries of the claimed design and form no part thereof.

1 Claim, 10 Drawing Sheets



US D685,071 S

Page 2

U.S. PATENT DOCUMENTS

D514,673 S 2/2006 Lanius
D515,185 S 2/2006 Daikubara
D515,186 S 2/2006 Lanius
D523,126 S 6/2006 Bates

D621,012 S 8/2010 Bucher
D621,013 S 8/2010 Bucher
D621,488 S 8/2010 Bucher
D628,279 S 11/2010 Jiang
D647,184 S 10/2011 Bates

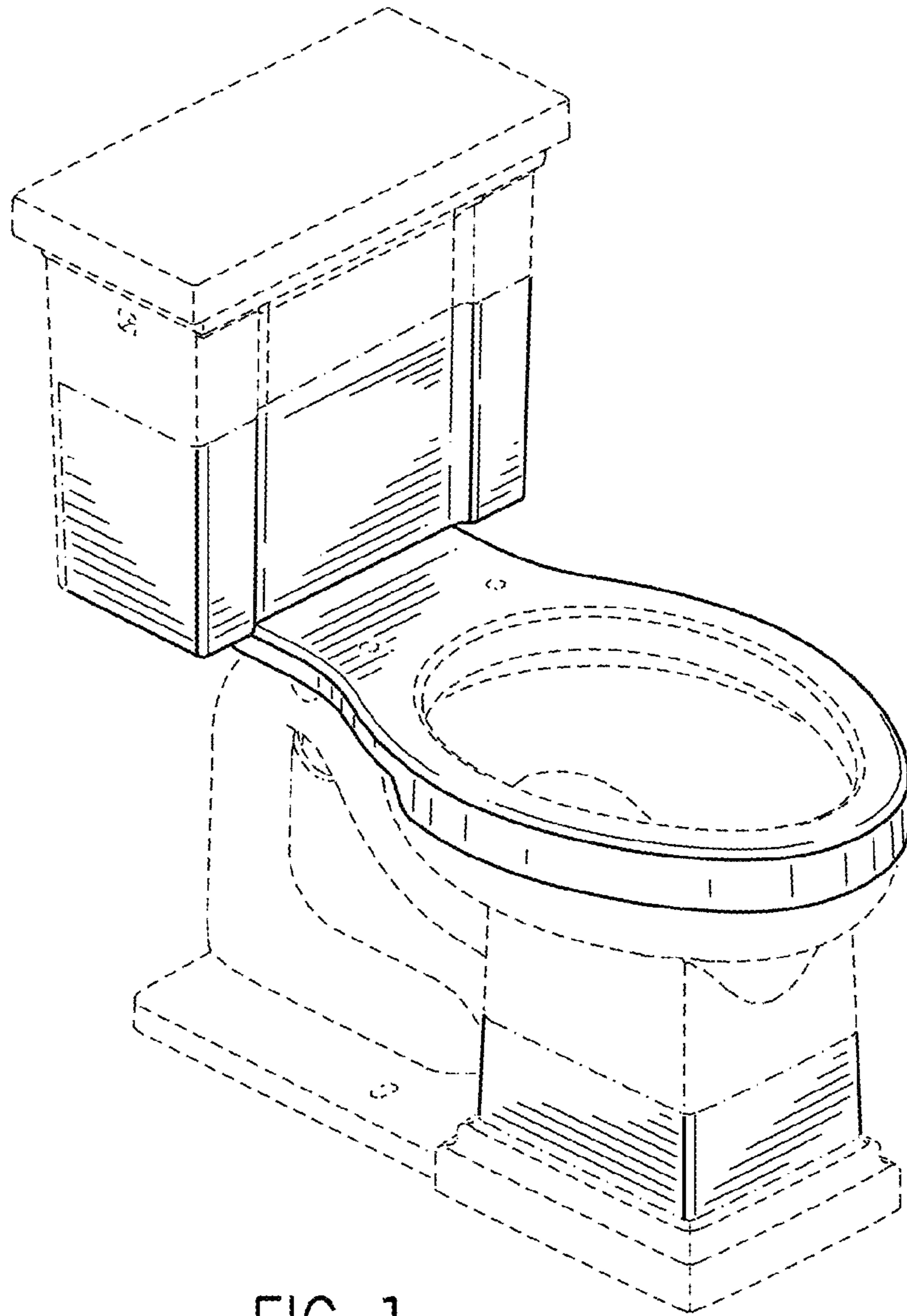


FIG. 1

FIG. 2

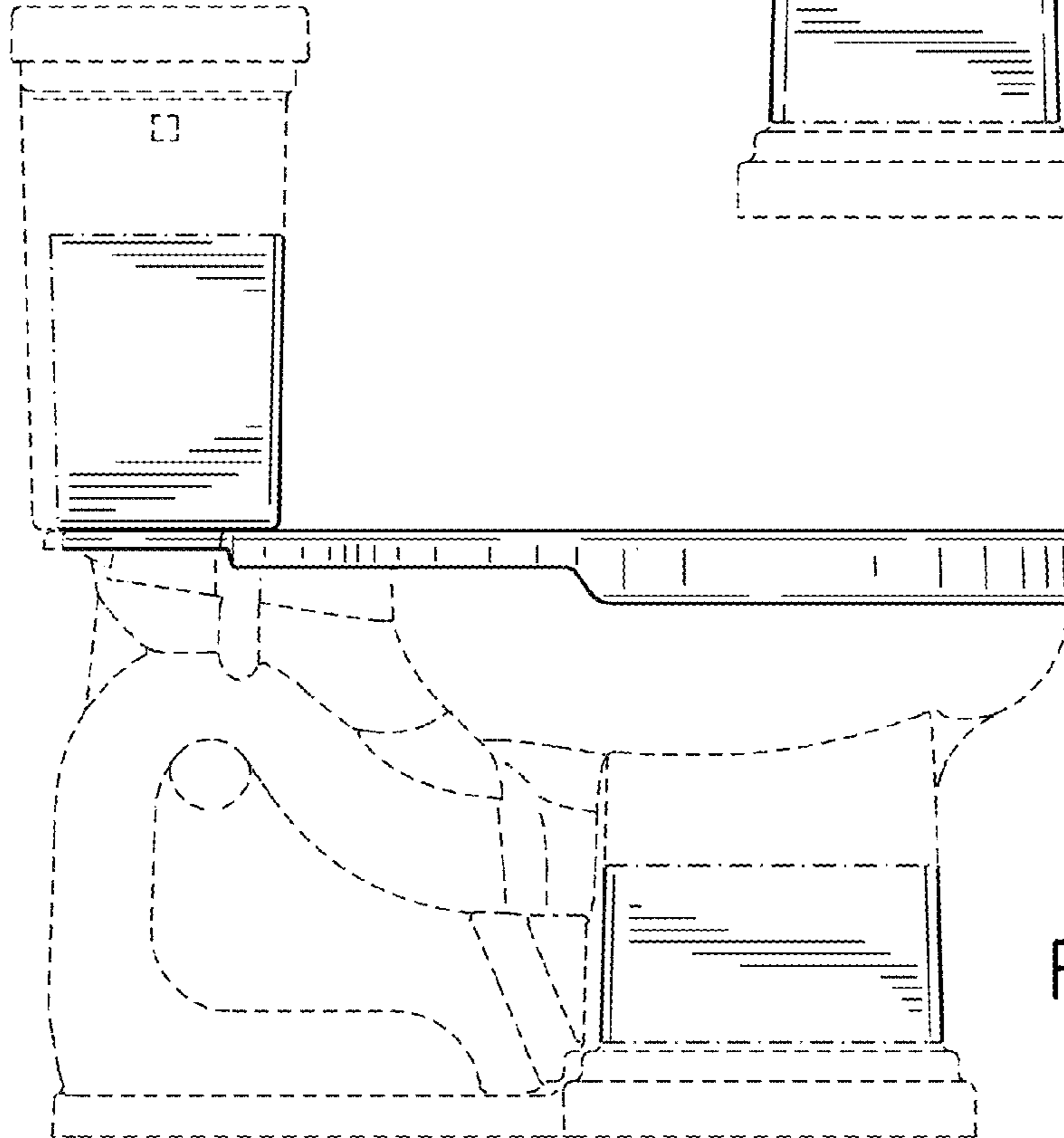
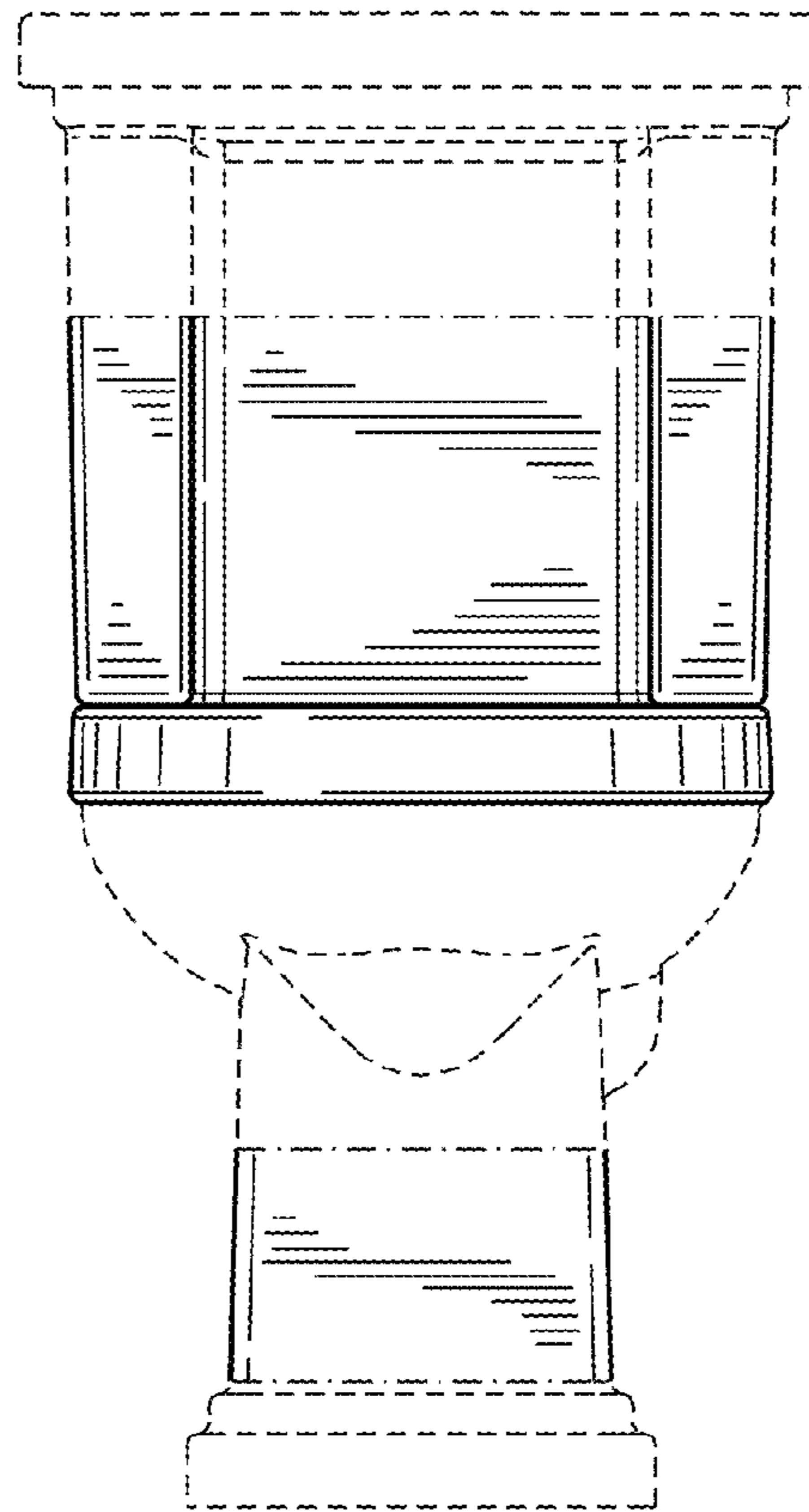


FIG. 3

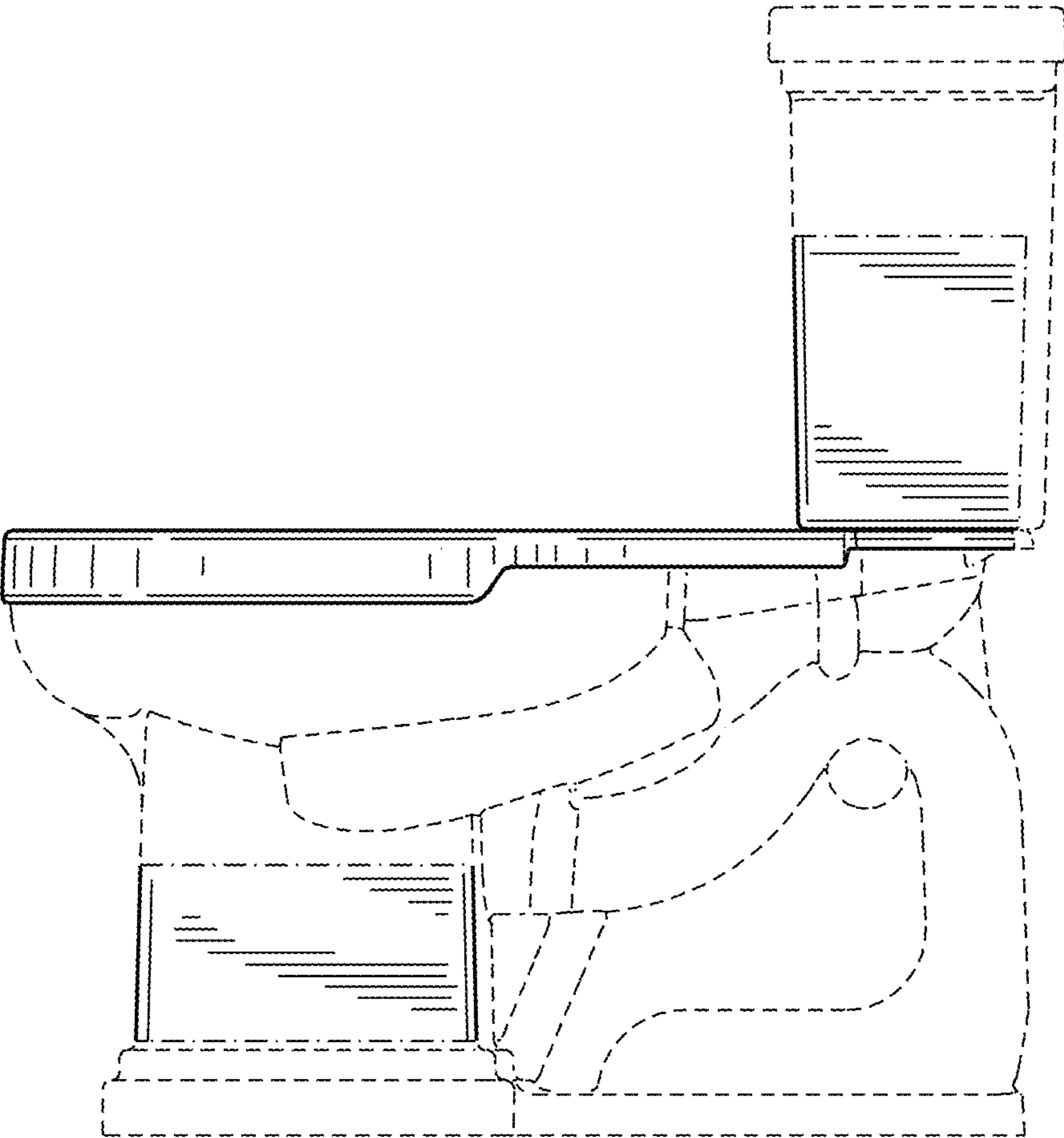


FIG. 4

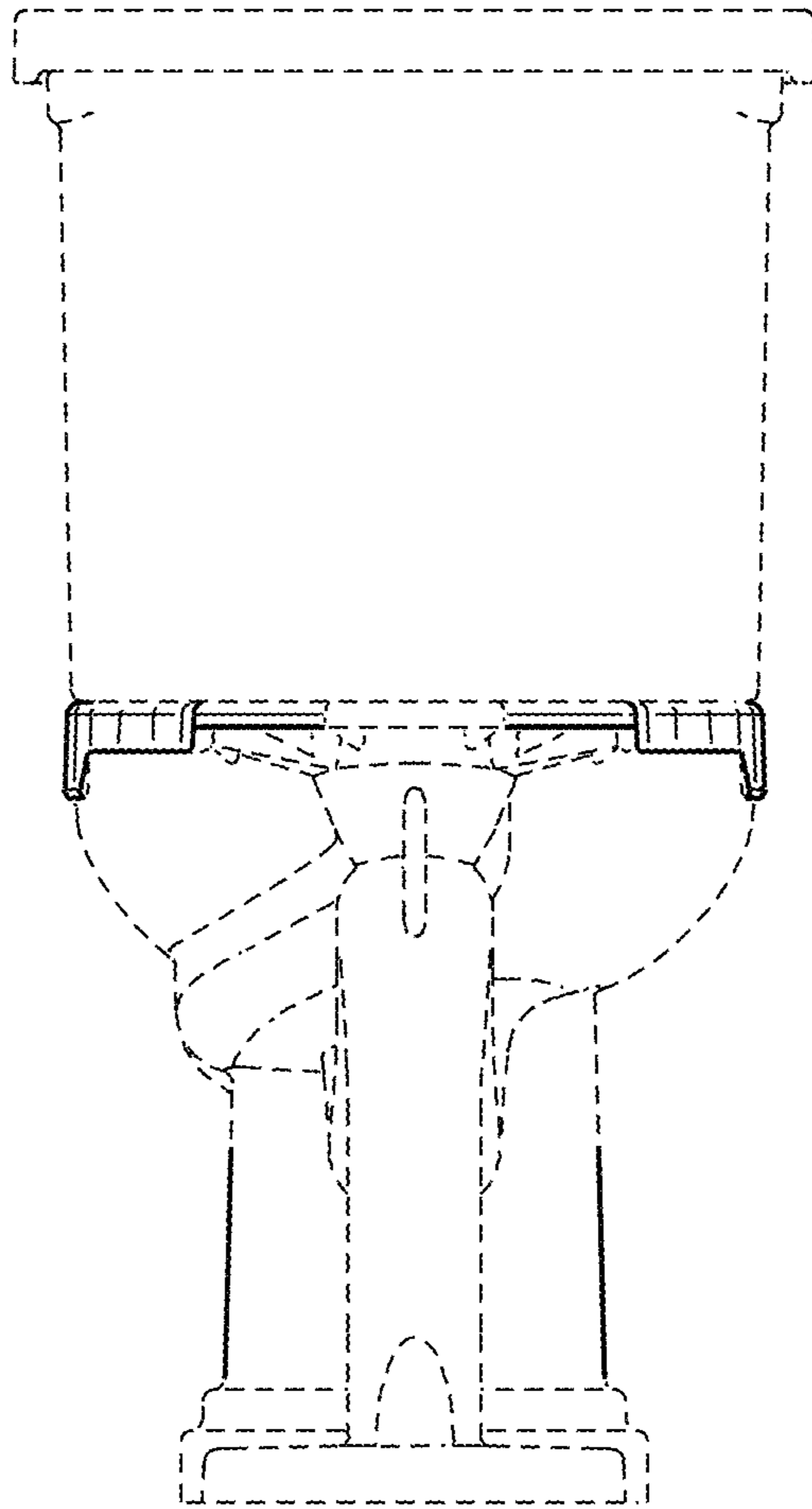


FIG. 5

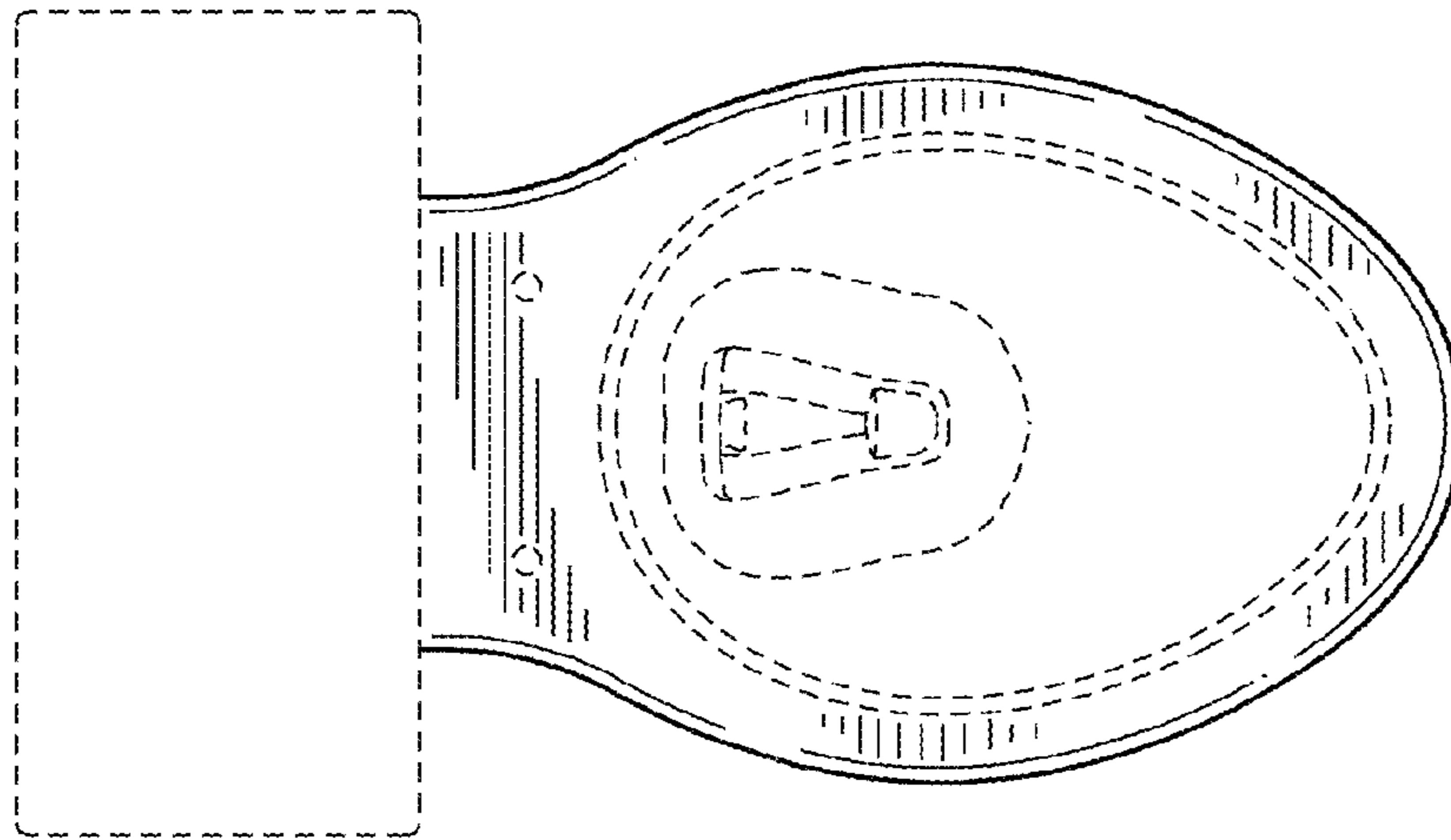


FIG. 6

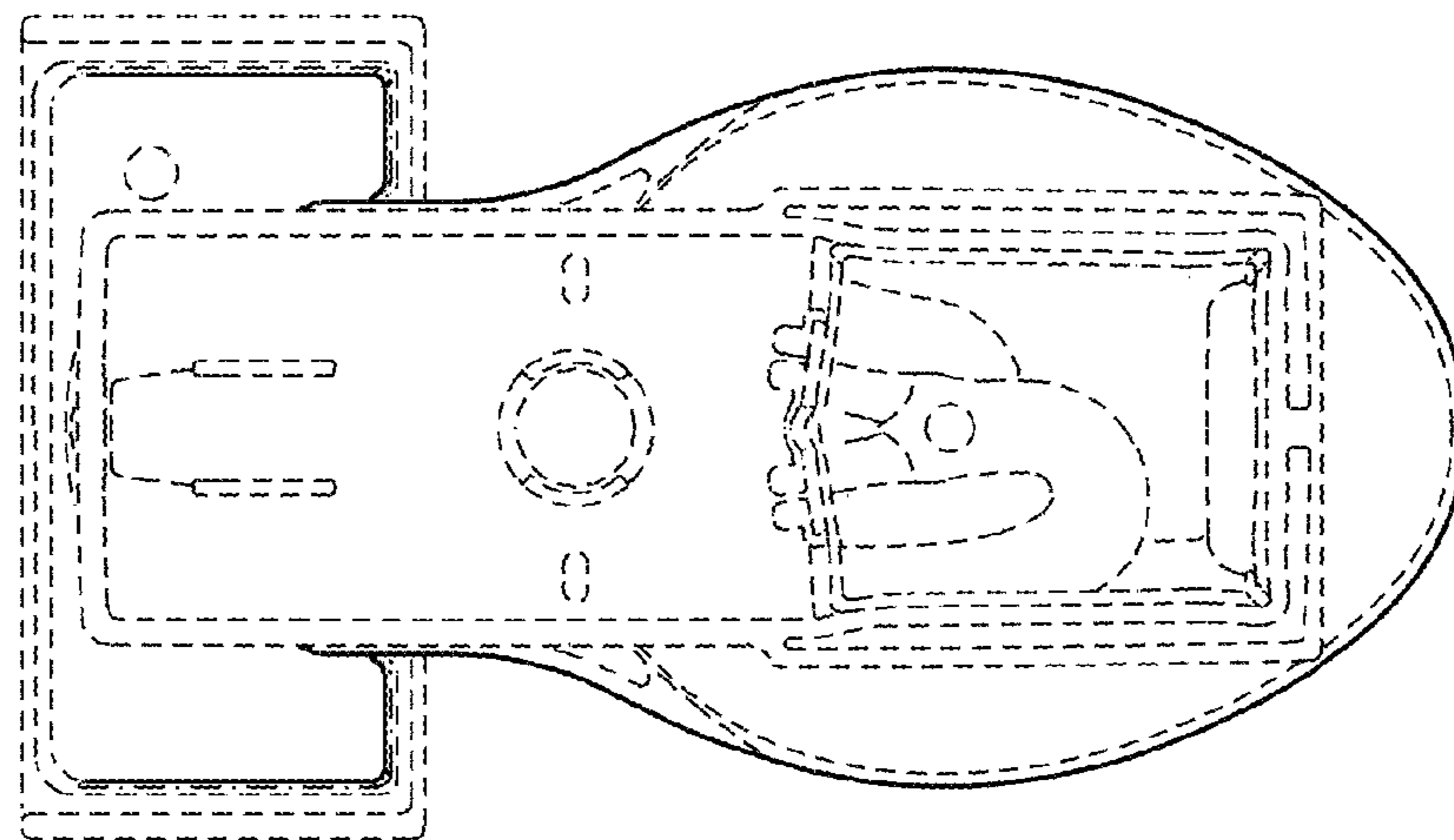


FIG. 7

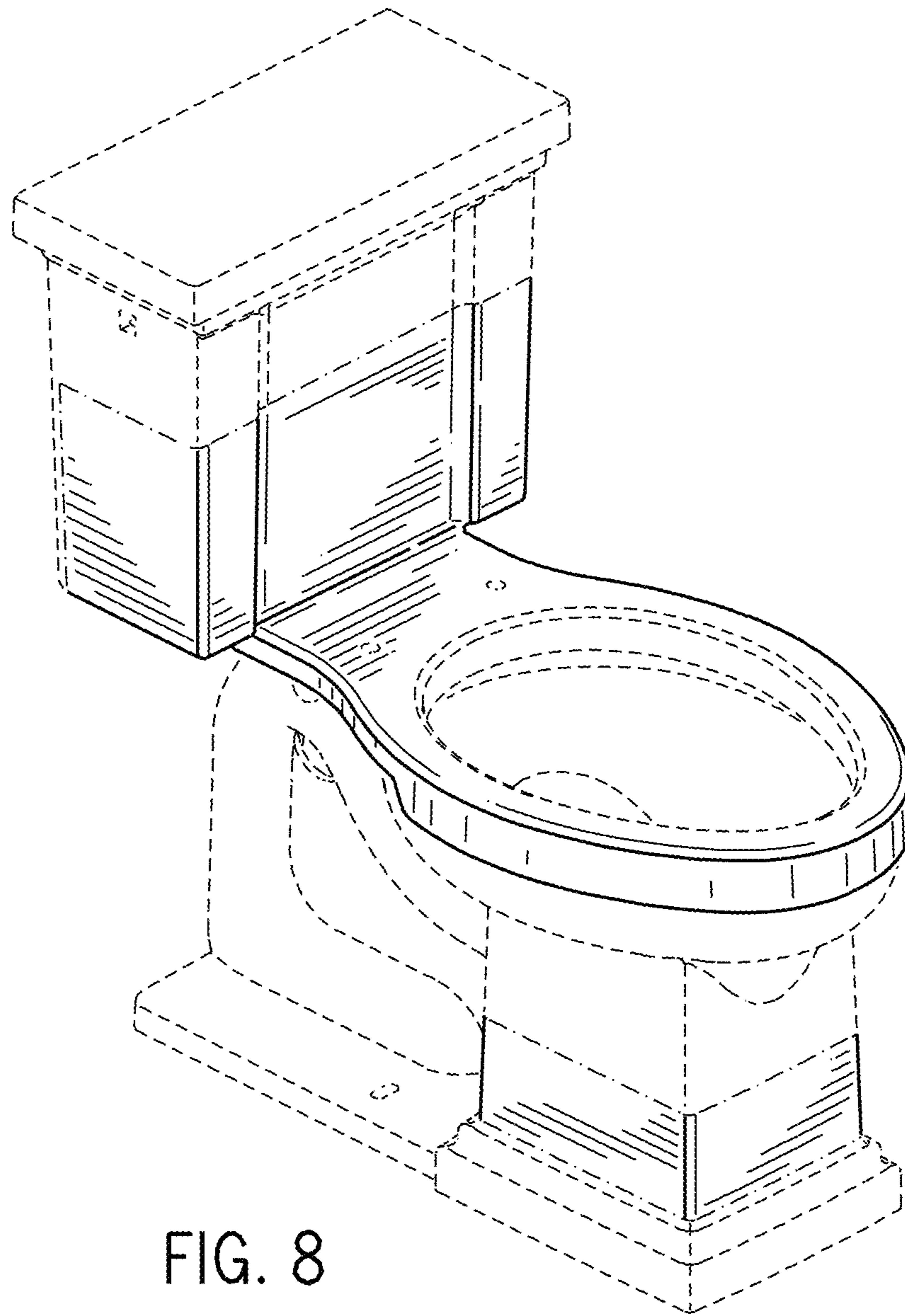


FIG. 8

FIG. 9

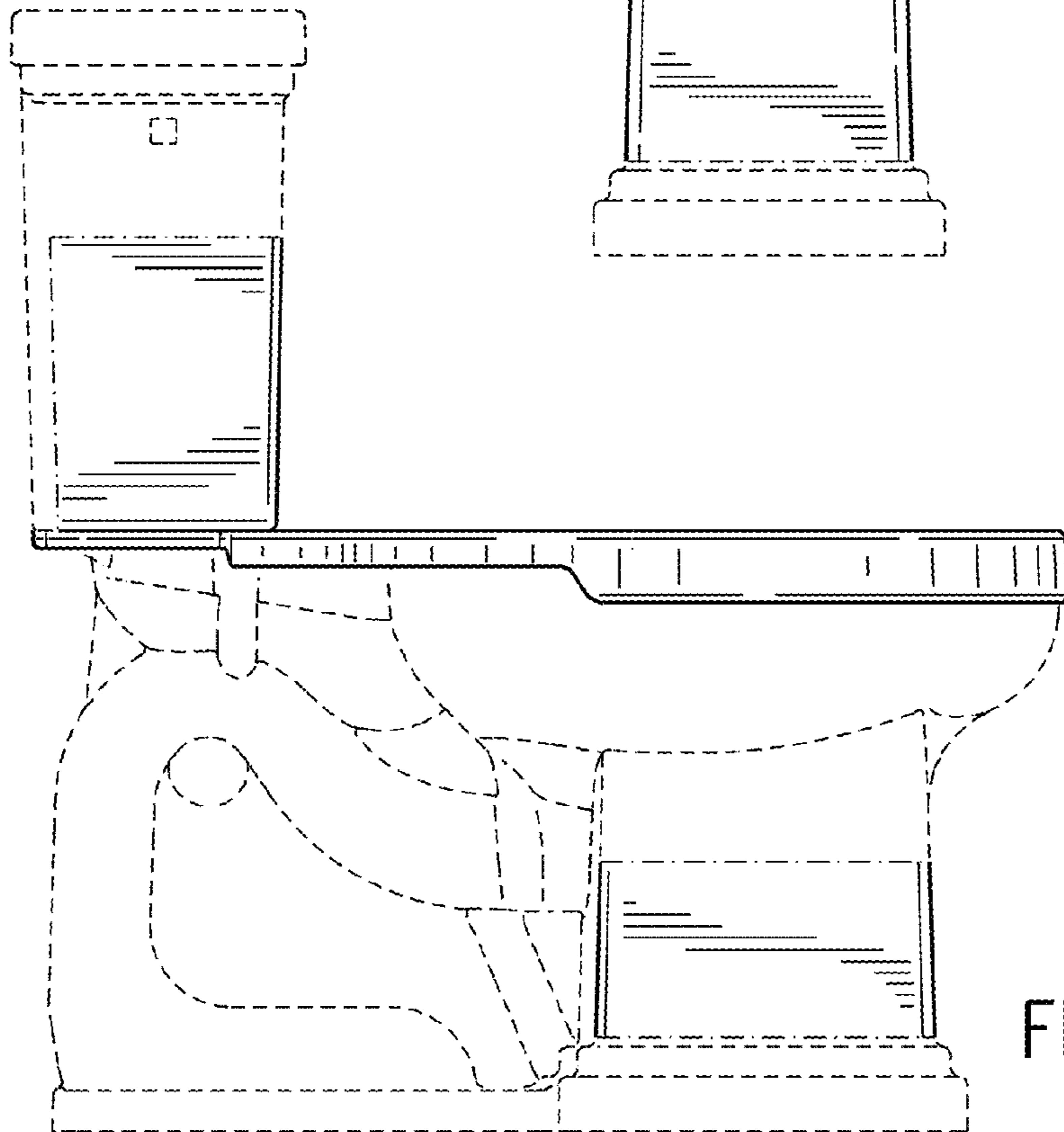
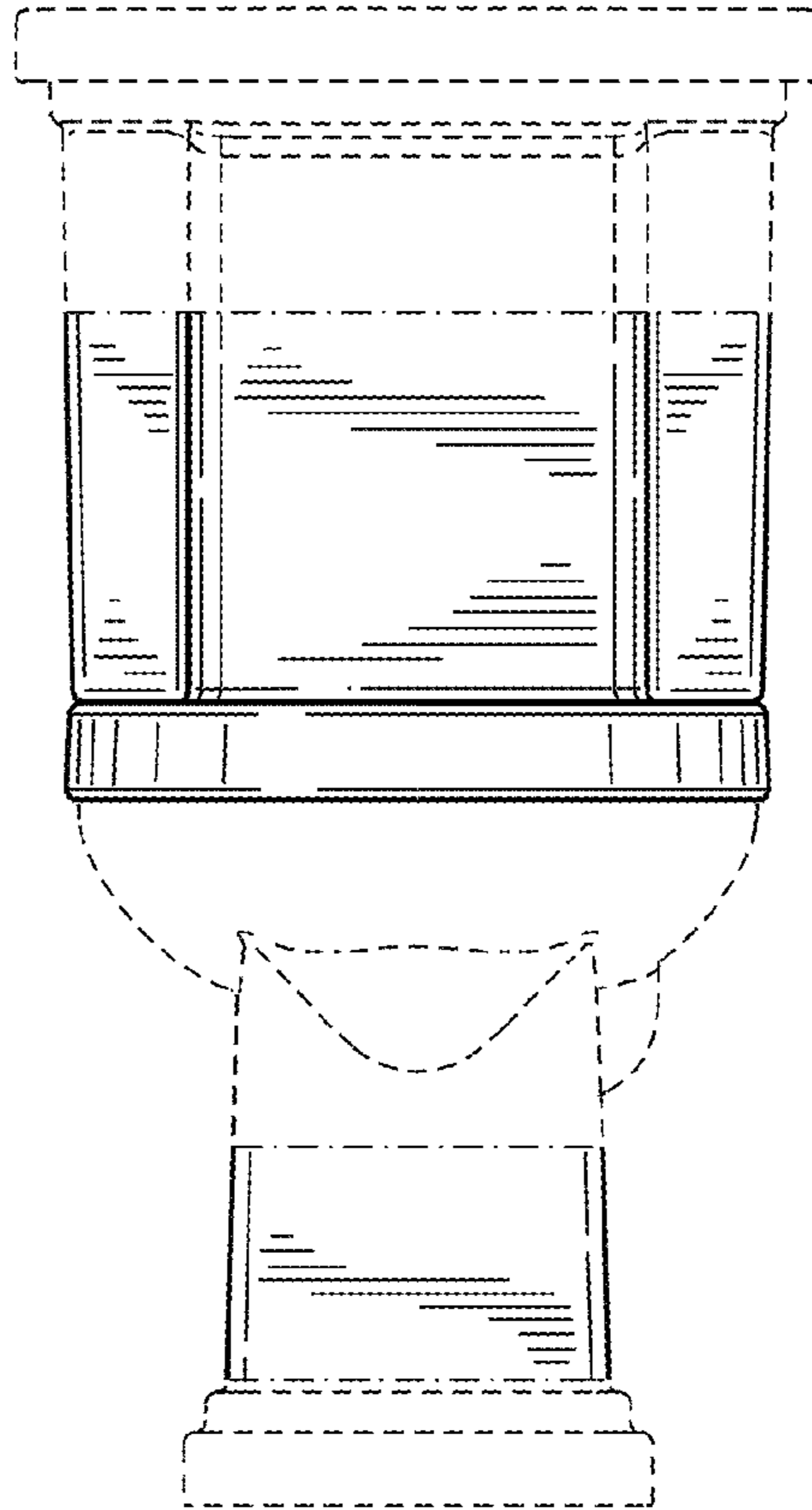


FIG. 10

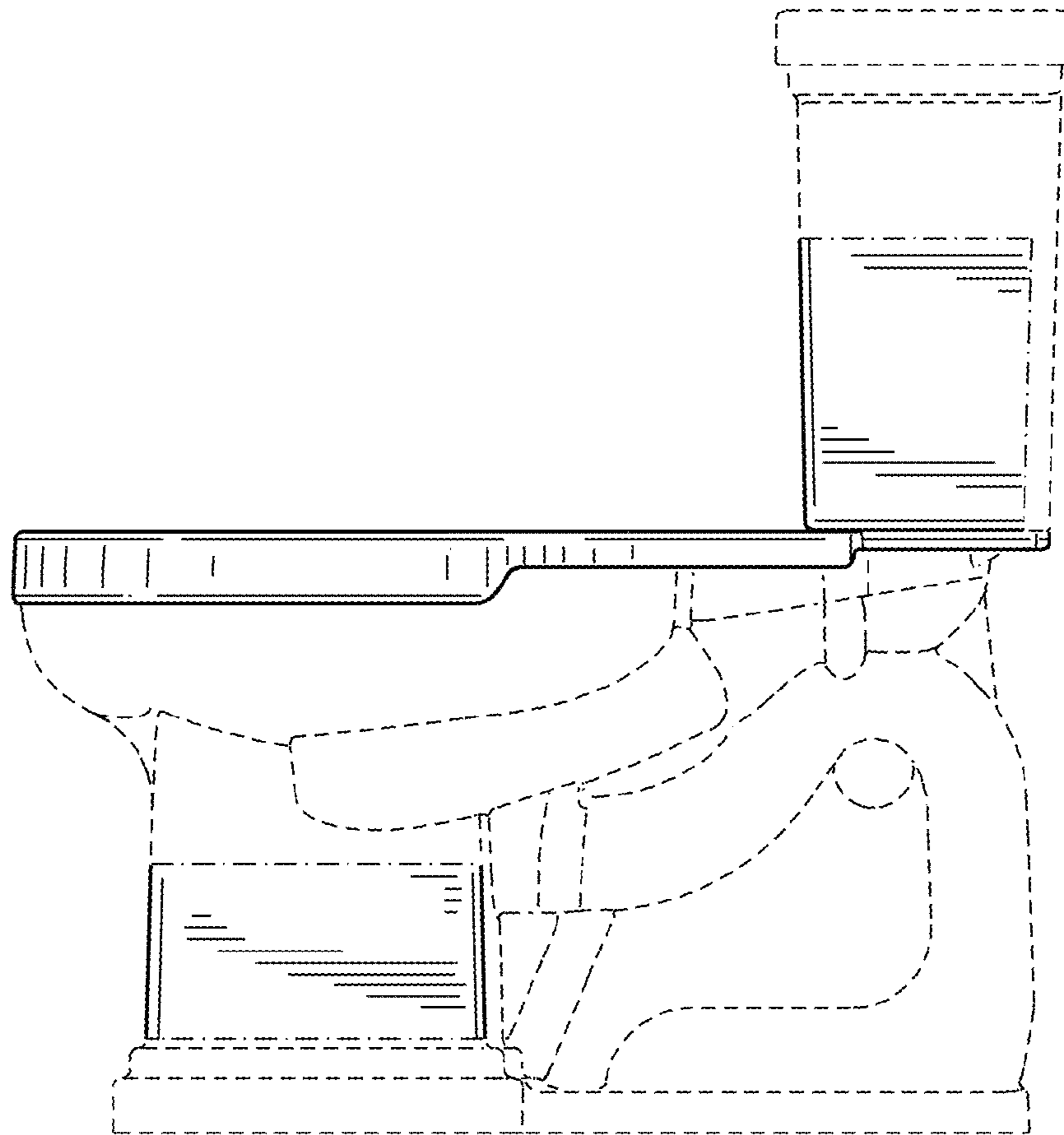


FIG. 11

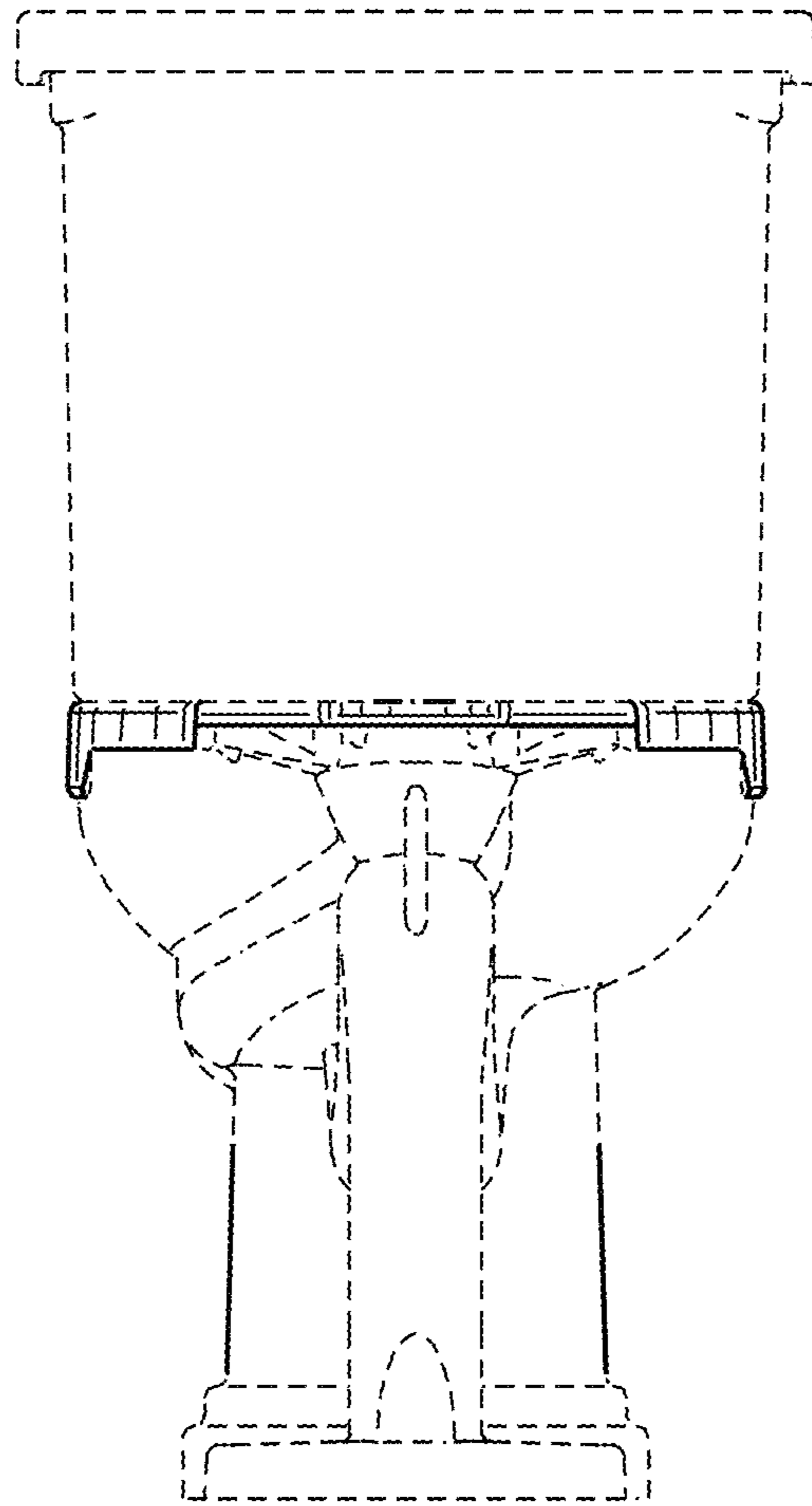


FIG. 12

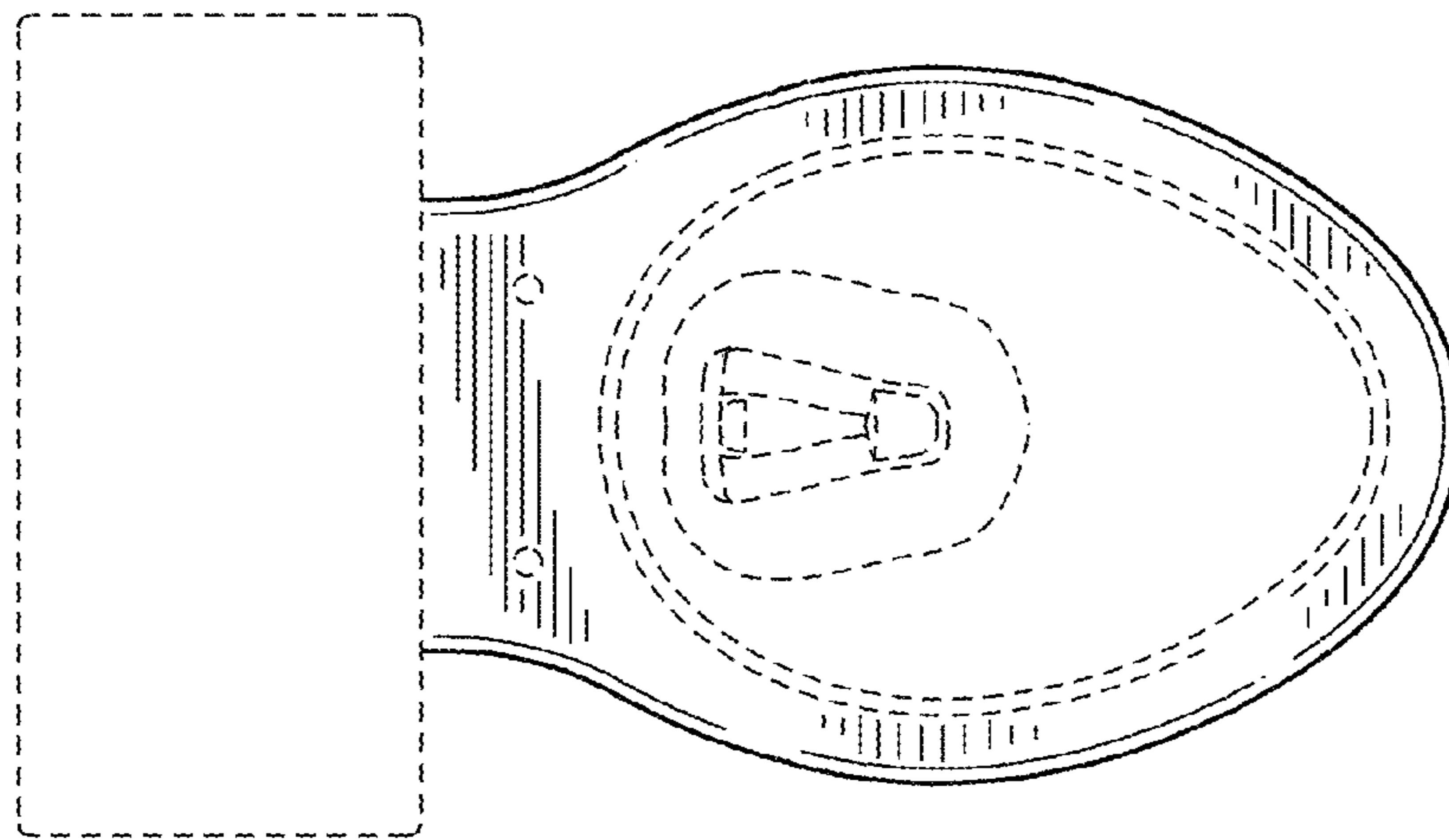


FIG. 13

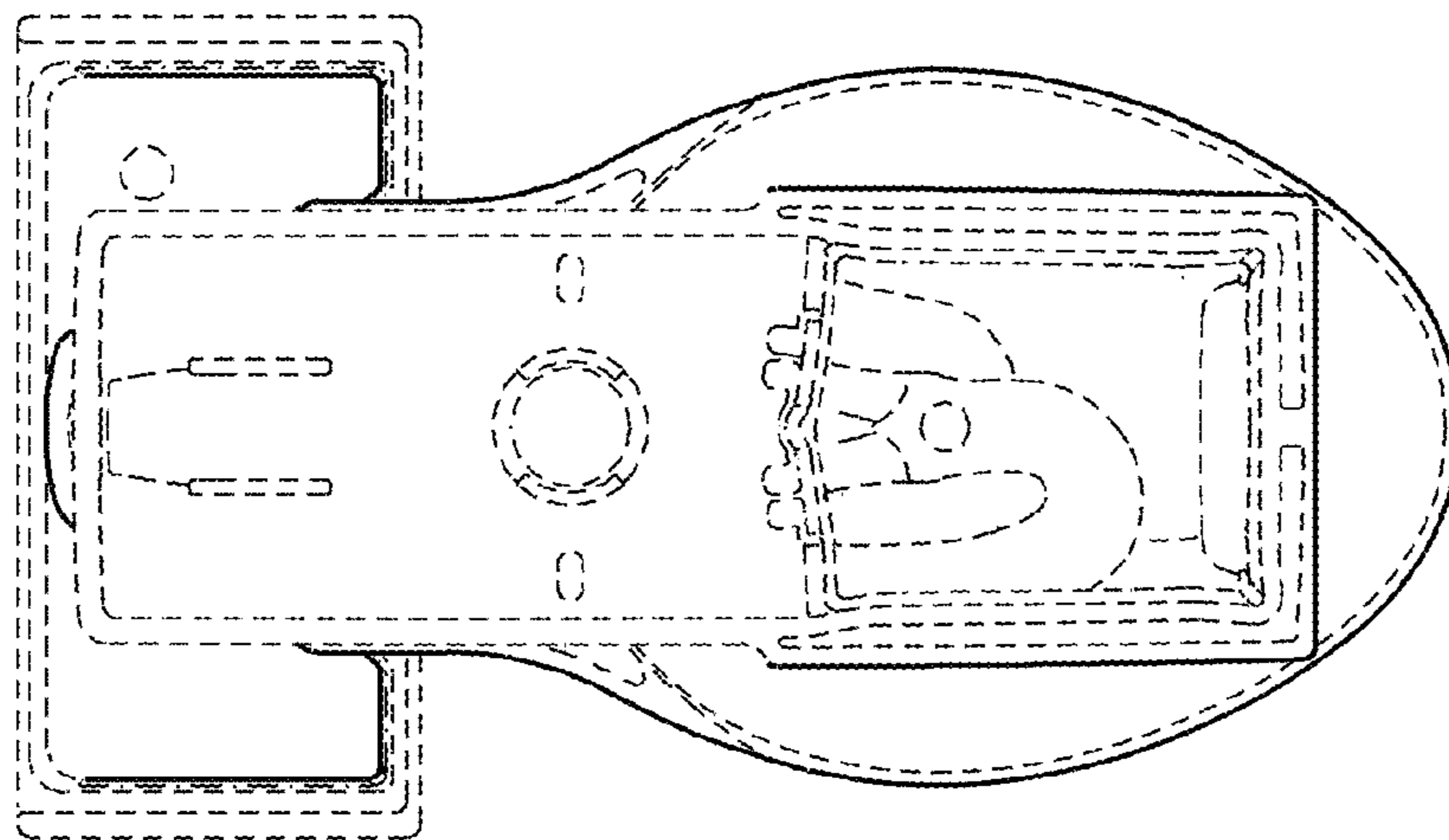


FIG. 14