



US00D685069S

(12) **United States Design Patent**
Eckhaus

(10) **Patent No.:** **US D685,069 S**
(45) **Date of Patent:** **** Jun. 25, 2013**

- (54) **REVERSIBLE SINK FACADE**
- (71) Applicant: **Efraim Eckhaus**, West Haven, CT (US)
- (72) Inventor: **Efraim Eckhaus**, West Haven, CT (US)
- (**) Term: **14 Years**
- (21) Appl. No.: **29/437,169**
- (22) Filed: **Nov. 14, 2012**
- (51) **LOC (9) Cl.** **23-02**
- (52) **U.S. Cl.**
USPC **D23/308**
- (58) **Field of Classification Search**
USPC .. D23/284–288, 290–293.1, 303, 308; 4/619,
4/639–640, 642
See application file for complete search history.

(56) **References Cited**

U.S. PATENT DOCUMENTS

D76,760 S	*	10/1928	Nash	D23/291
D169,348 S	*	4/1953	Young	D23/293.1
D453,209 S	*	1/2002	Pila	D23/286
D603,946 S		11/2009	Eckhaus		
D620,091 S		7/2010	Eckhaus		
D620,092 S		7/2010	Eckhaus		
D620,093 S		7/2010	Eckhaus		

D624,635 S	9/2010	Eckhaus
D624,636 S	9/2010	Eckhaus
D627,449 S	11/2010	Eckhaus

* cited by examiner

Primary Examiner — Robert Delehanty
(74) *Attorney, Agent, or Firm* — Wiggin and Dana LLP;
Gregory S. Rosenblatt

(57) **CLAIM**

The ornamental design for a reversible sink facade, as shown and described.

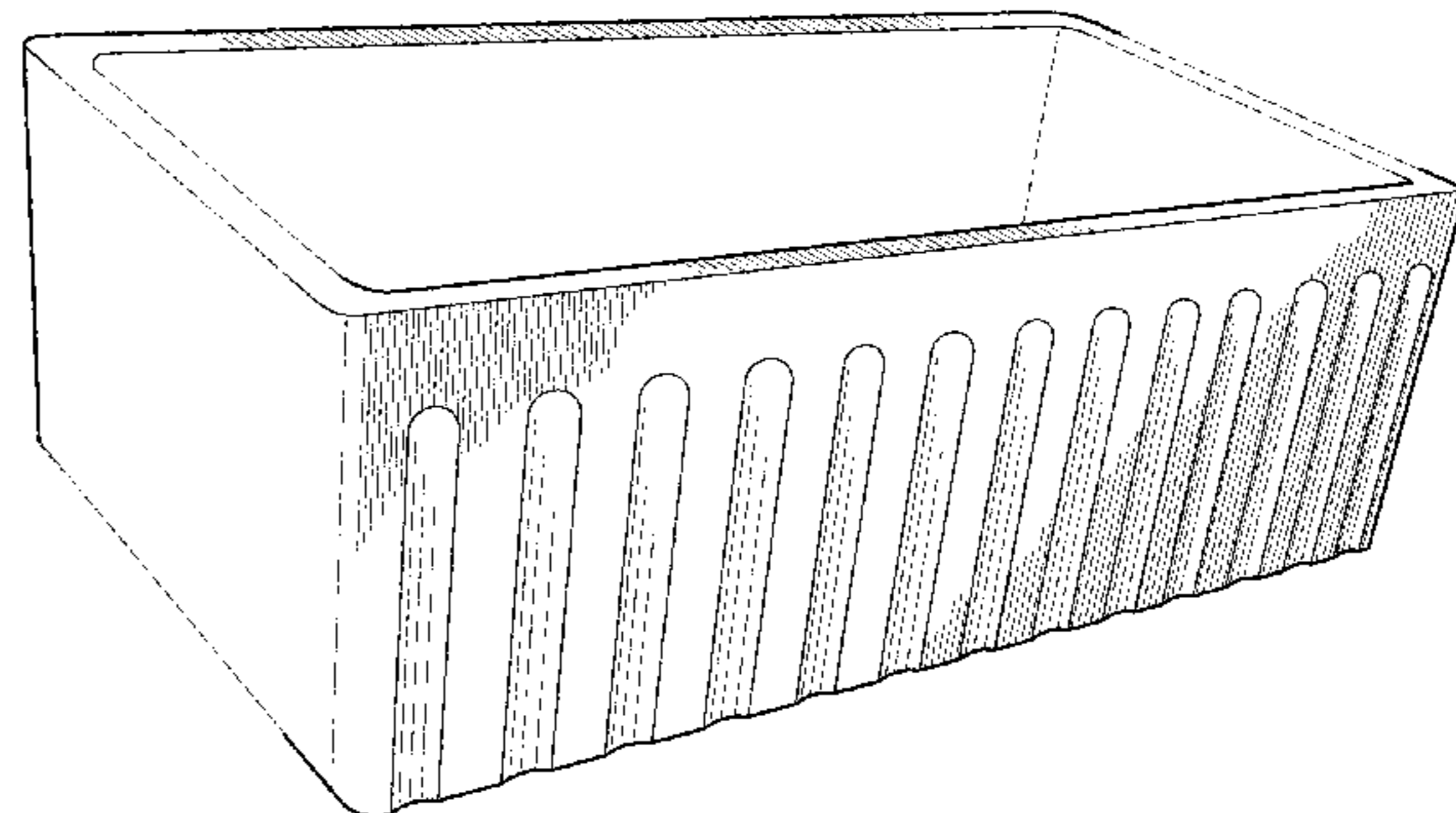
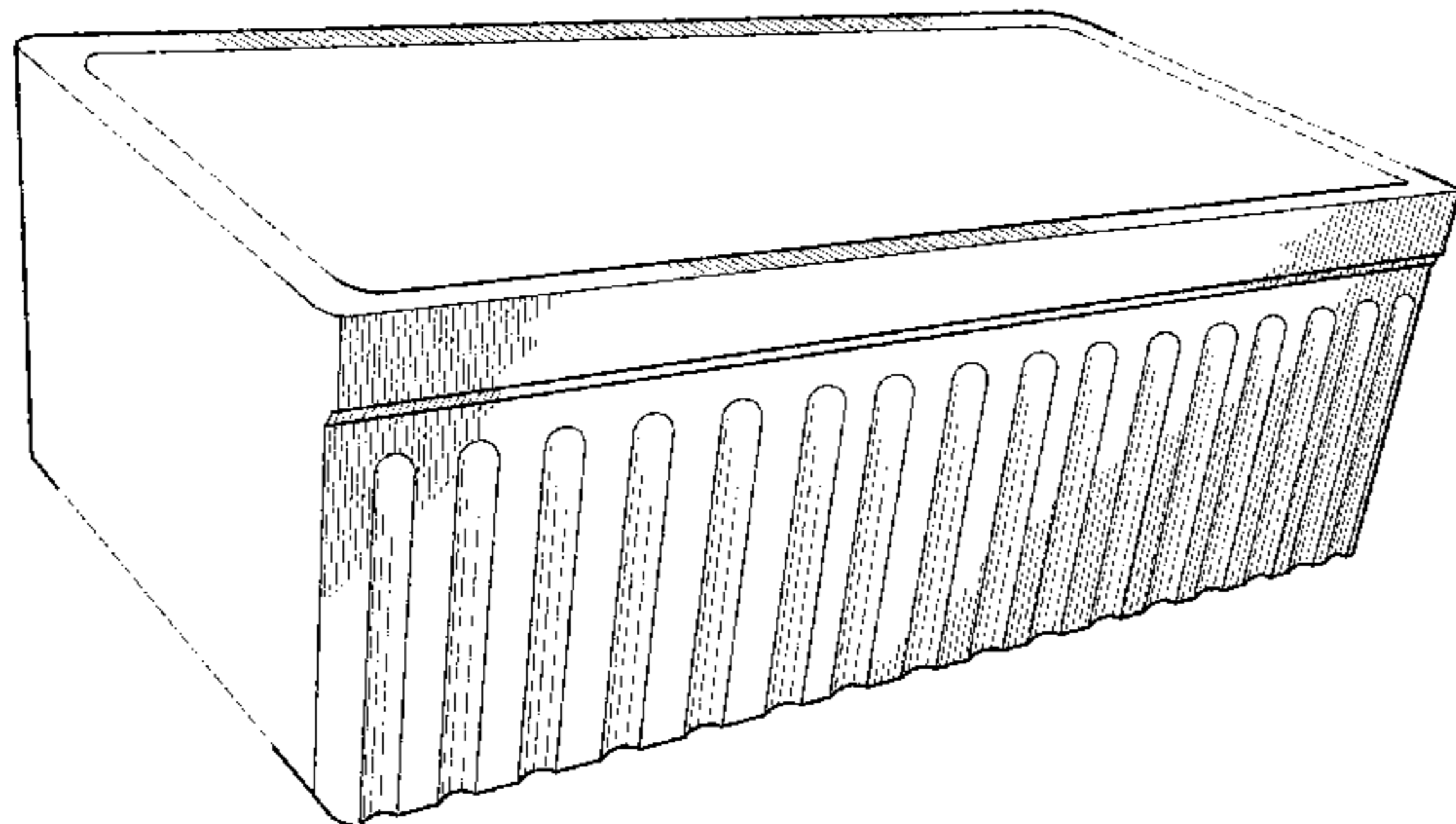
DESCRIPTION

FIG. 1 is a front perspective view of a new single bowl sink showing a façade design at a first side of the single bowl sink; and,

FIG. 2 is a rear perspective view of the new single bowl sink design seen in FIG. 1 showing a façade design at a second side of the single bowl sink.

The broken line portions of the sink represent the bounds of the claimed design and form no part of the claimed design. The side portions that interconnect the first side and the second side of the sink are flat and devoid of surface ornamentation and form no part of the claimed design. The bottom of the sink is flat and devoid of surface ornamentation and forms not part of the claimed design.

1 Claim, 2 Drawing Sheets



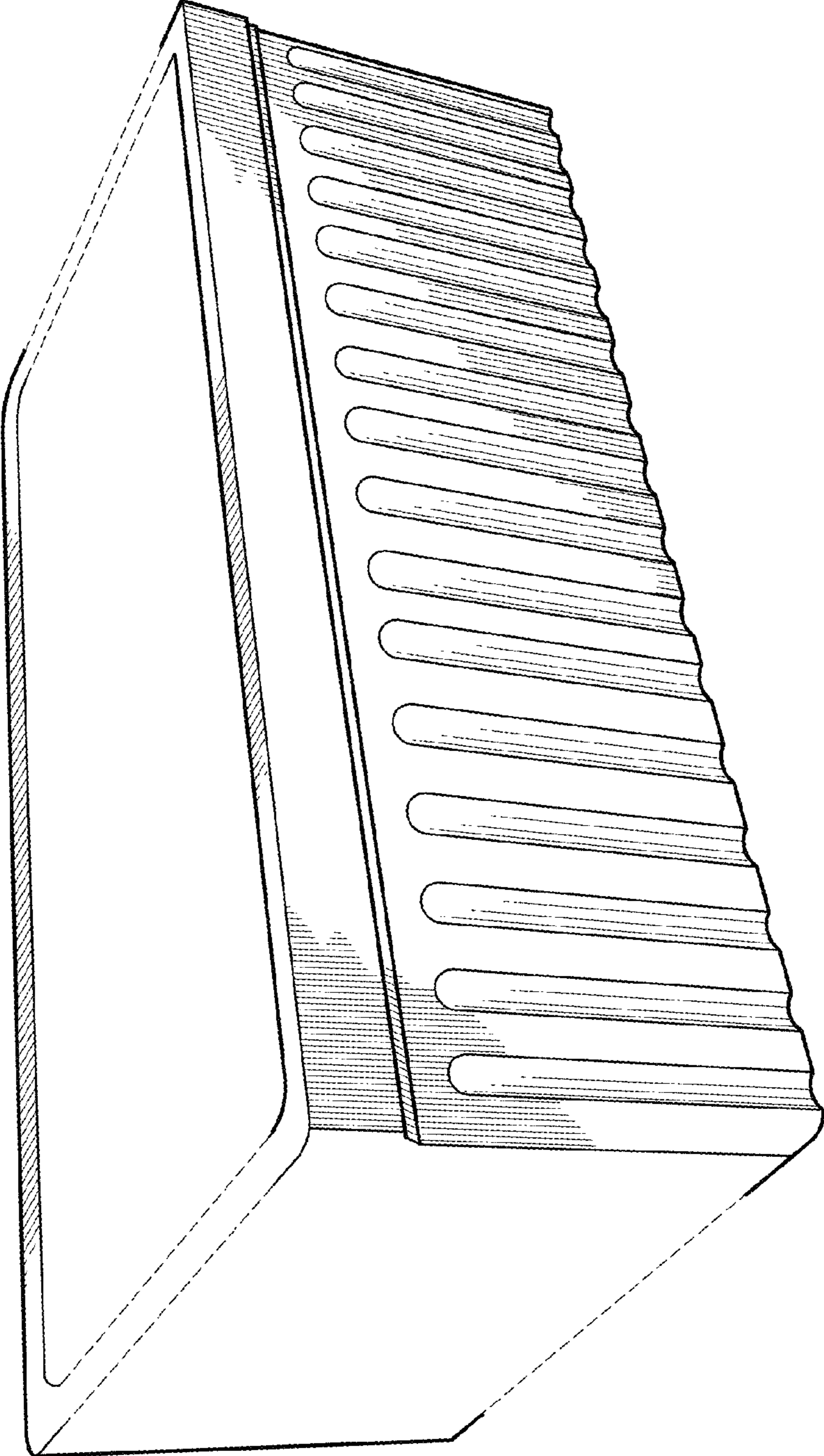


FIG. 1

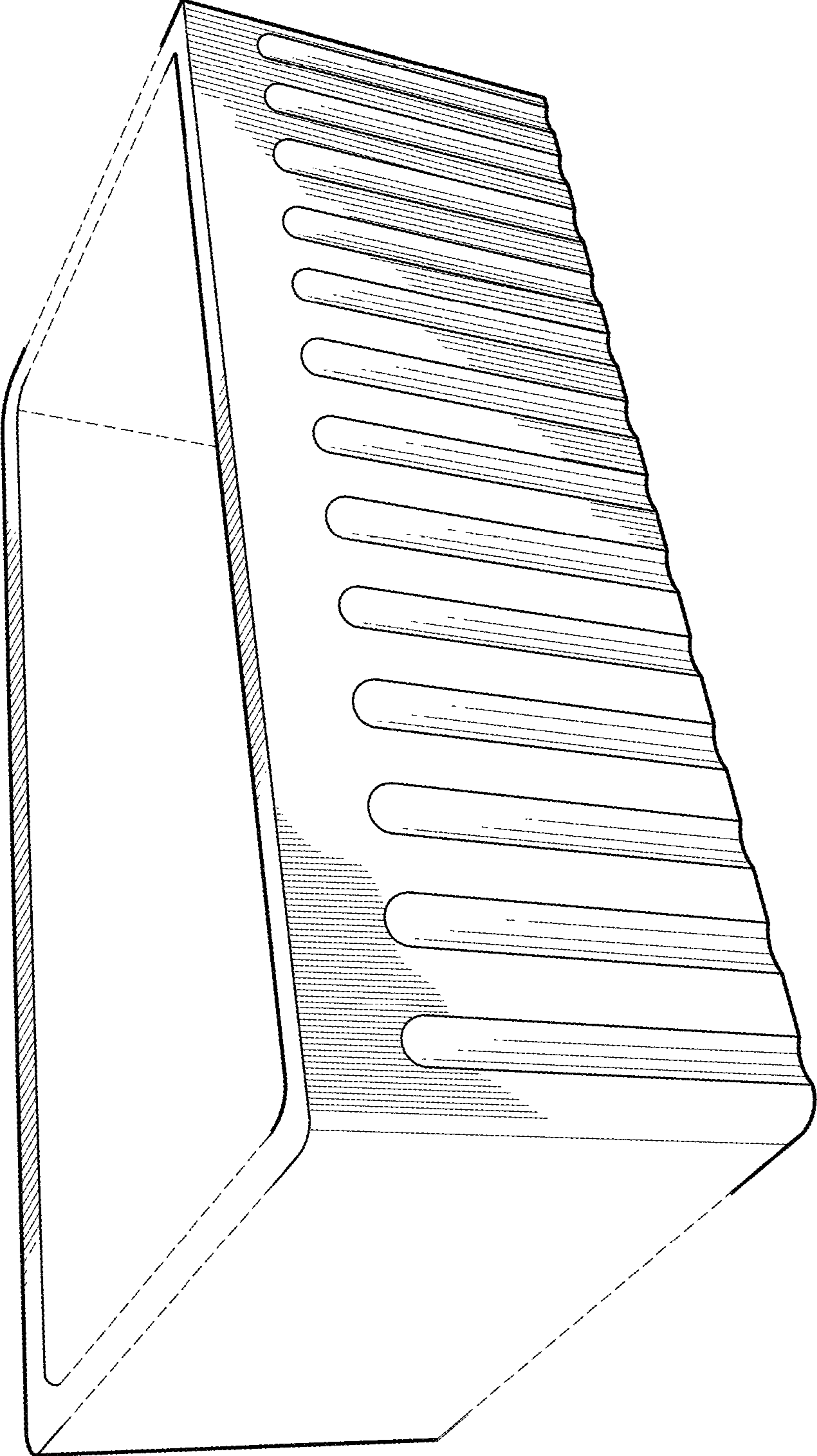


FIG. 2